

[54] HORSESHOE FOR HIND HOOF

[76] Inventor: Joseph Kulak, 73 Buell St., New Britain, Conn. 06051

[*] Notice: The portion of the term of this patent subsequent to Sep. 25, 2004 has been disclaimed.

[**] Term: 14 Years

[21] Appl. No.: 203,872

[22] Filed: Jun. 8, 1988

[52] U.S. Cl. D30/148; 168/4

[58] Field of Search D30/146-150; D21/4, 50, 51

[56] References Cited

U.S. PATENT DOCUMENTS

D. 29,938	1/1899	Paar	D30/147
D. 128,657	8/1941	Wheeler et al.	D30/147
D. 268,445	3/1983	Charlson	D30/147
D. 268,534	4/1983	Charlson	D30/147
2,103,718	12/1937	Goodwin	168/12
2,543,330	2/1951	Nardon	59/36
3,794,120	2/1974	Charlson	D30/148

Primary Examiner—James R. Largen

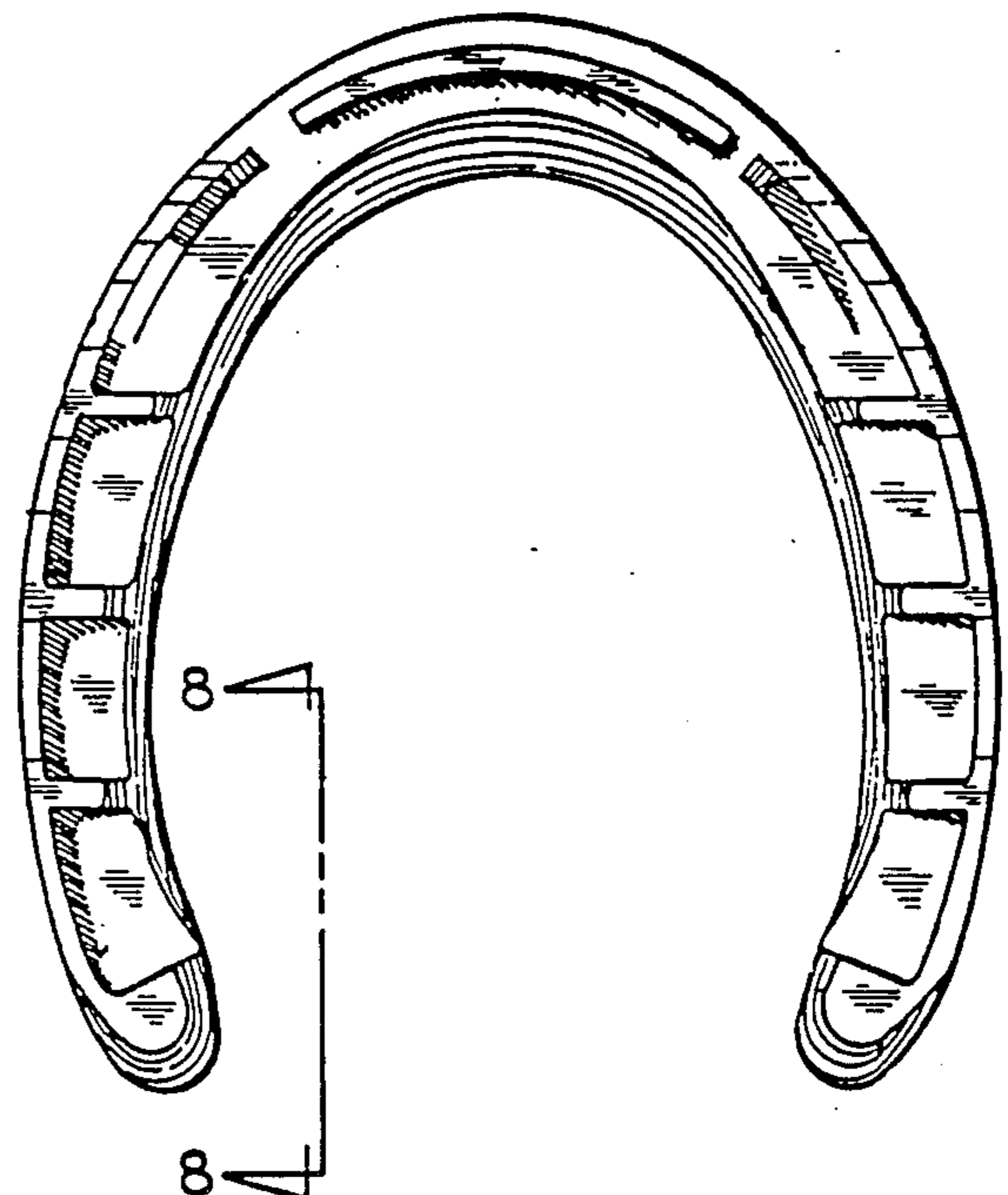
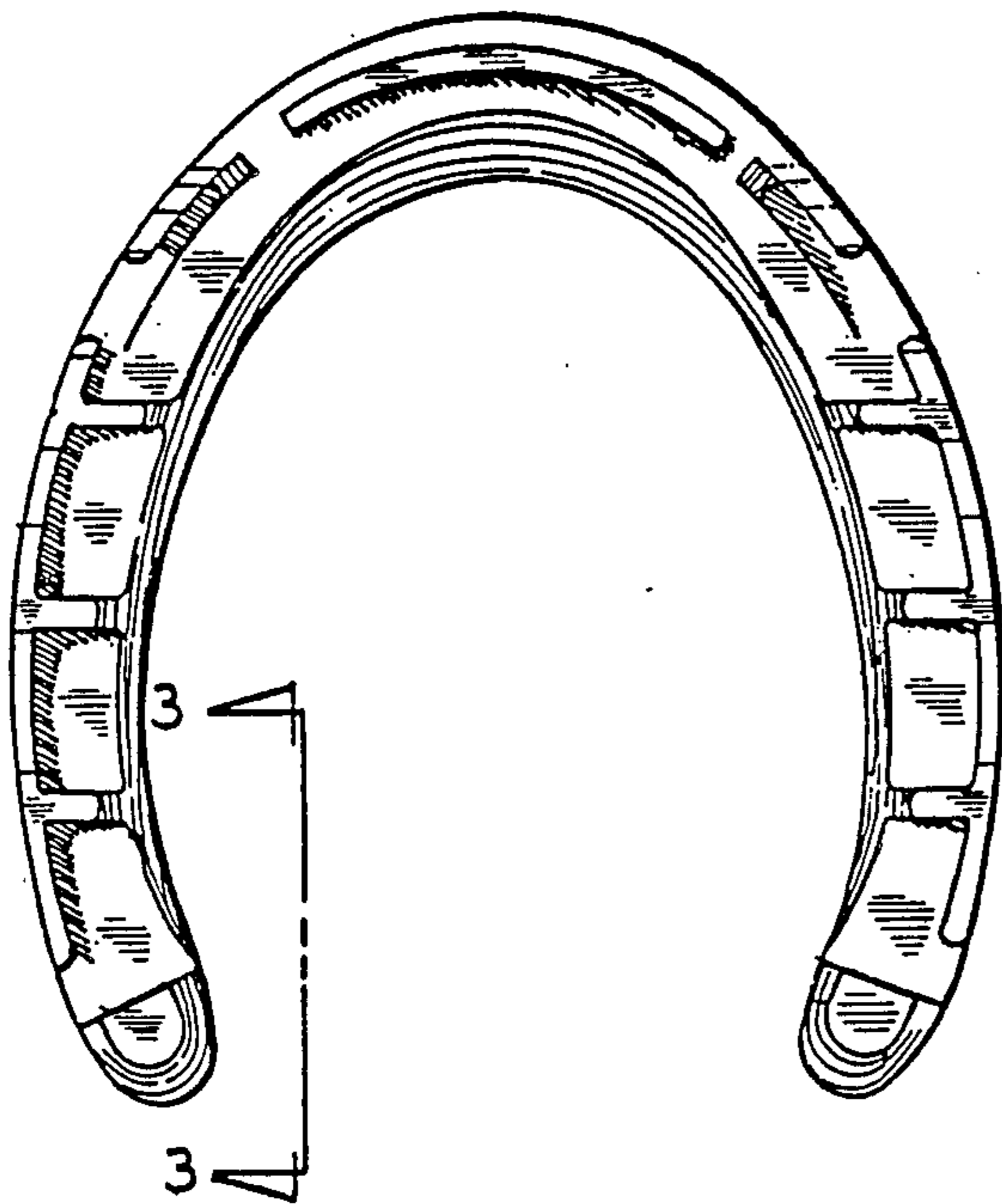
Assistant Examiner—Cathy Anne MacCormac
Attorney, Agent, or Firm—Hayes & Reinsmith

[57] CLAIM

The ornamental design for a horseshoe for hind hoof, as shown and described.

DESCRIPTION

FIG. 1 is a front elevational view of a horseshoe for hind hoof, showing my new design;
 FIG. 2 is a bottom plan view thereof;
 FIG. 3 is a fragmentary side elevational view taken along line 3—3 of FIG. 2;
 FIG. 4 is a side elevational view, the opposite side being a mirror image of the side shown;
 FIG. 5 is a cross sectional view taken on line 5—5 of FIG. 3;
 FIG. 6 is a front elevational view of a second embodiment of the horseshoe for hind hoof, shown in FIG. 1;
 FIG. 7 is a bottom plan view of FIG. 6;
 FIG. 8 is a fragmentary side elevational view taken along line 8—8 of FIG. 7;
 FIG. 9 is a side elevational view the, opposite side being a mirror image of the side shown; and
 FIG. 10 is a cross sectional view taken on line 10—10 of FIG. 8.



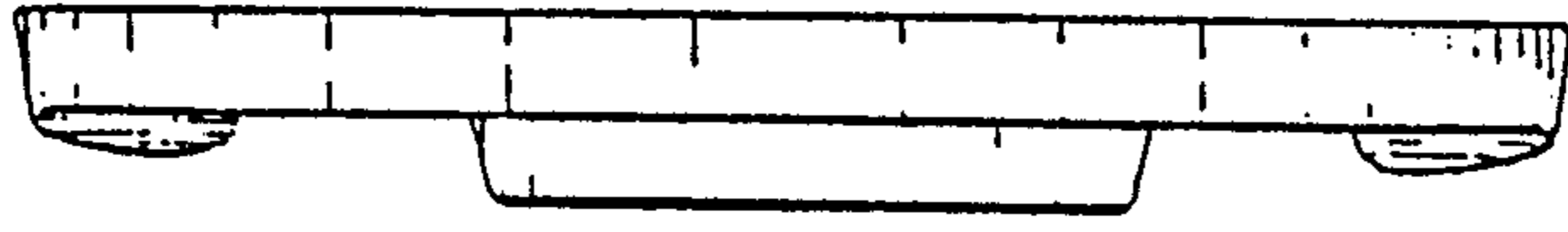


FIG. 1

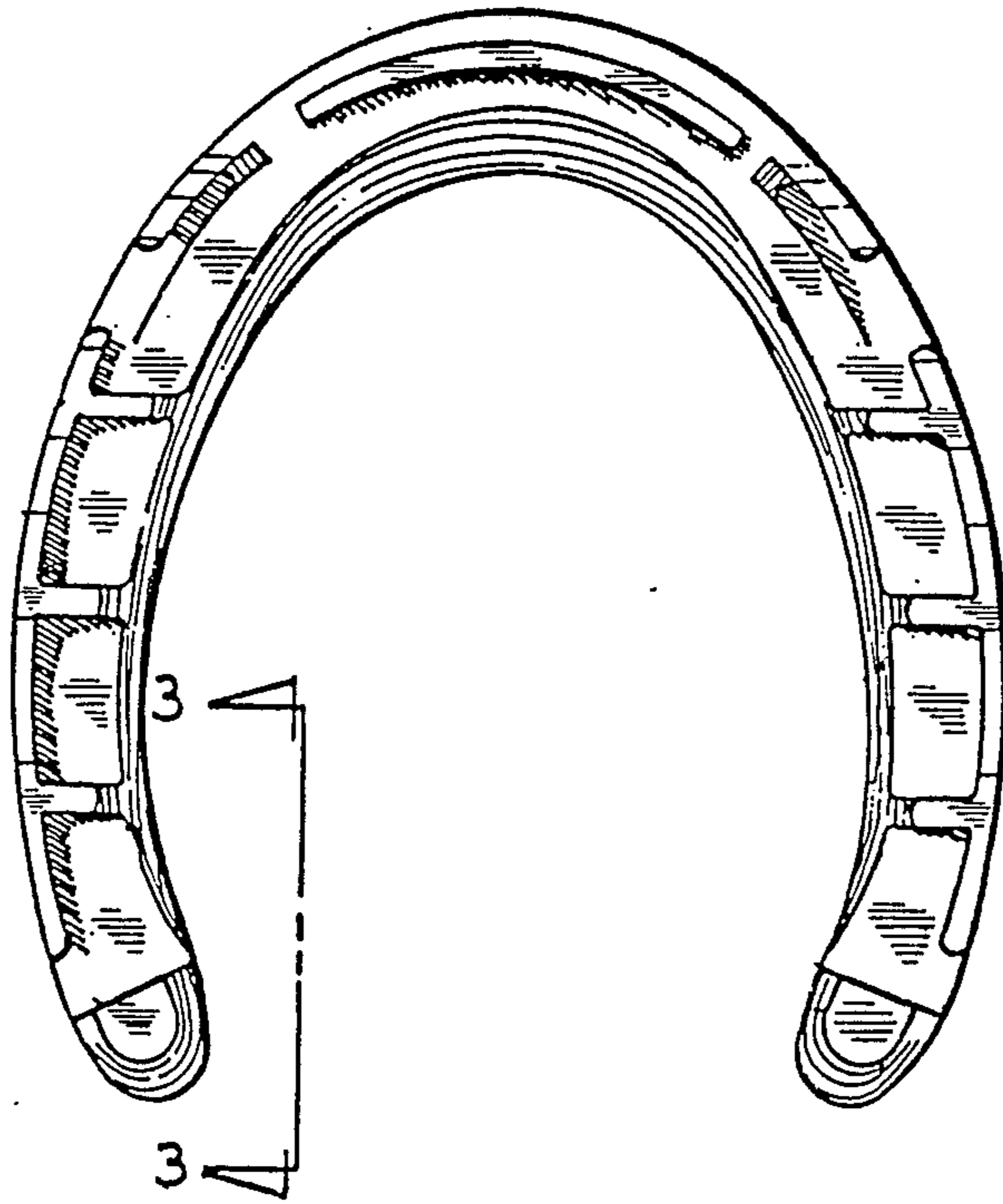


FIG. 2

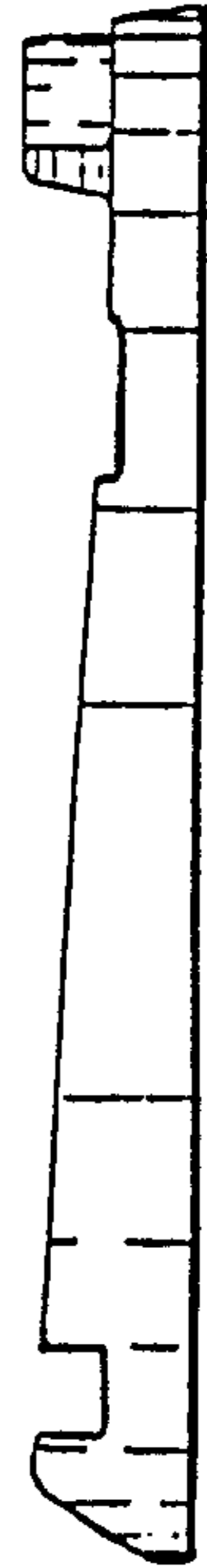


FIG. 4

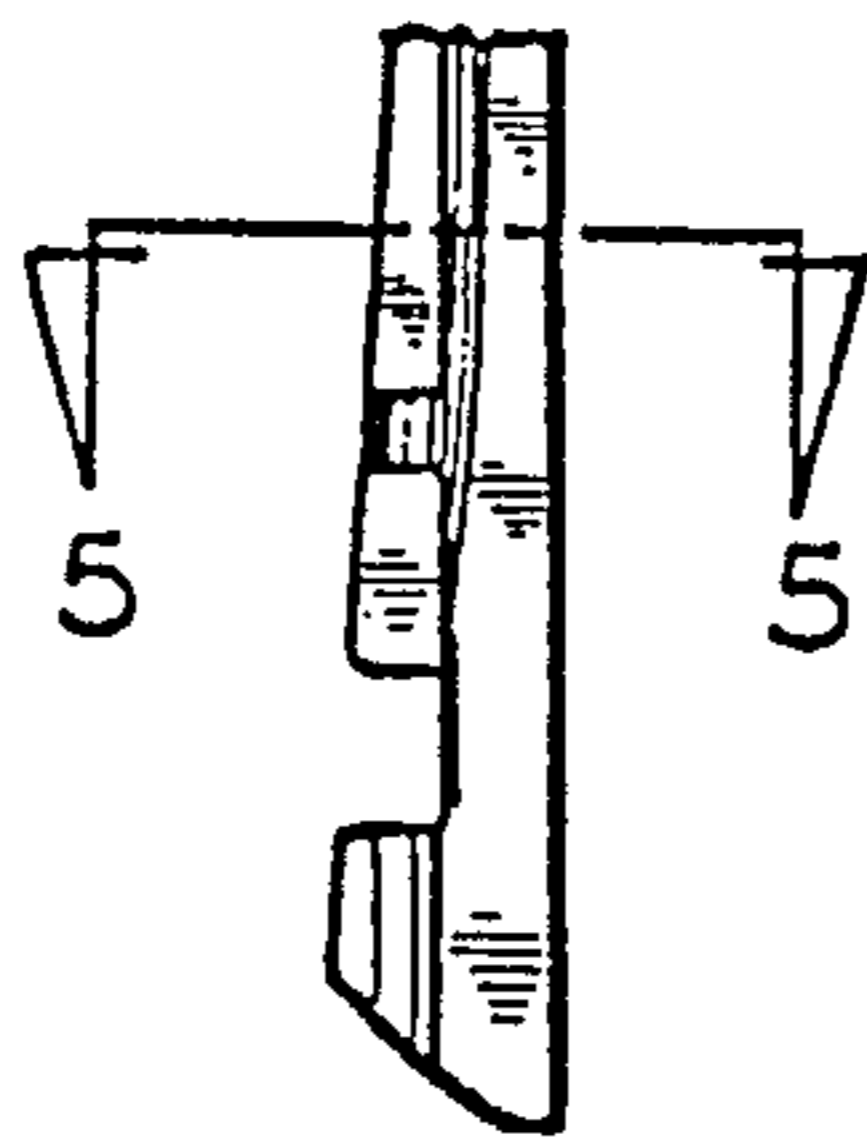


FIG. 3



FIG. 5

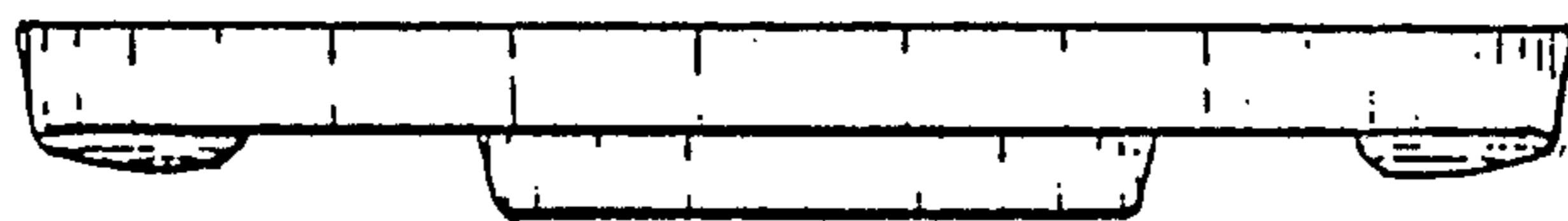


FIG. 6

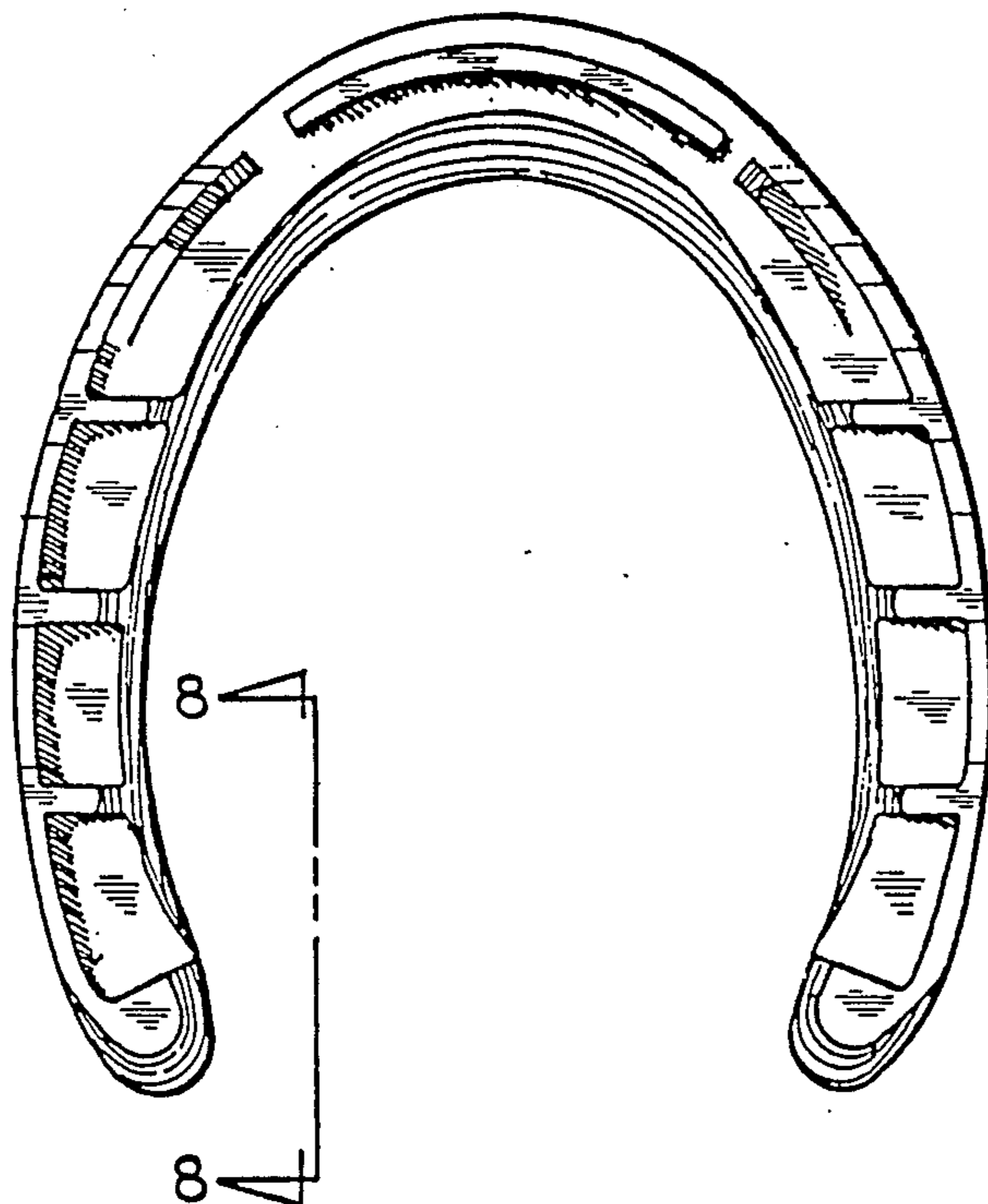


FIG. 7

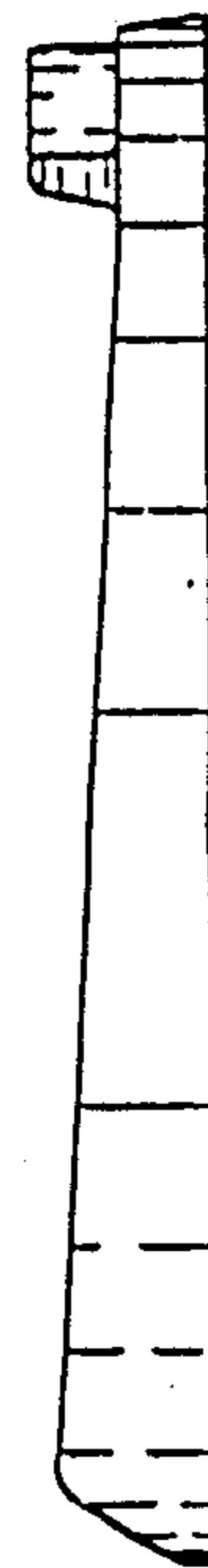


FIG. 9

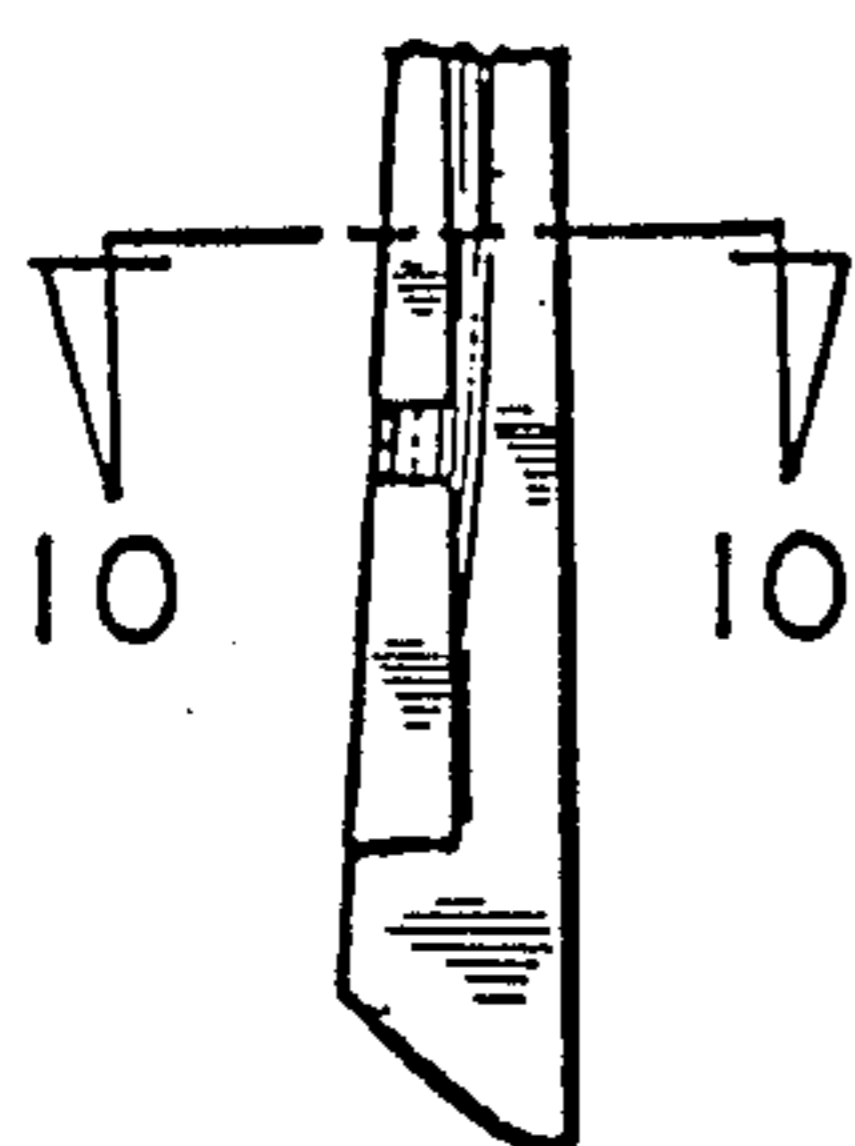


FIG. 8



FIG. 10