

United States Patent [19]

Villarreal et al.

[11] Patent Number: **Des. 311,789**

[45] Date of Patent: **** Oct. 30, 1990**

[54] **PROTECTIVE MASK**

[76] Inventors: **Richard Villarreal; Yvonne A. Villarreal**, both of 2926 S. Mabbett Ave., Milwaukee, Wis. 53207

[**] Term: **14 Years**

[21] Appl. No.: **240,042**

[22] Filed: **Sep. 2, 1988**

[52] U.S. Cl. **D29/9; D29/6**

[58] Field of Search **D29/6-9;**
128/204.26, 201.19, 207.12

[56] **References Cited**

U.S. PATENT DOCUMENTS

2,164,330 7/1939 Katz et al. 128/201.19
2,620,794 12/1952 George D29/9

2,888,920 6/1959 Möllering et al. D29/9
3,180,333 4/1965 Lewis 128/201.19
4,440,163 4/1984 Spergel 128/207.12
4,756,308 7/1988 Ryback 128/207.12

Primary Examiner—Kay H. Chin
Attorney, Agent, or Firm—Jerry T. Kearns

[57] **CLAIM**

The ornamental design for a protective mask, as shown and described.

DESCRIPTION

FIG. 1 is a front elevational view of a protective mask showing our new design;
FIG. 2 is a rear elevational view thereof;
FIG. 3 is a left side elevational view thereof;
FIG. 4 is a right side elevational view thereof;
FIG. 5 is a top plan view thereof; and,
FIG. 6 is a bottom plan view thereof.

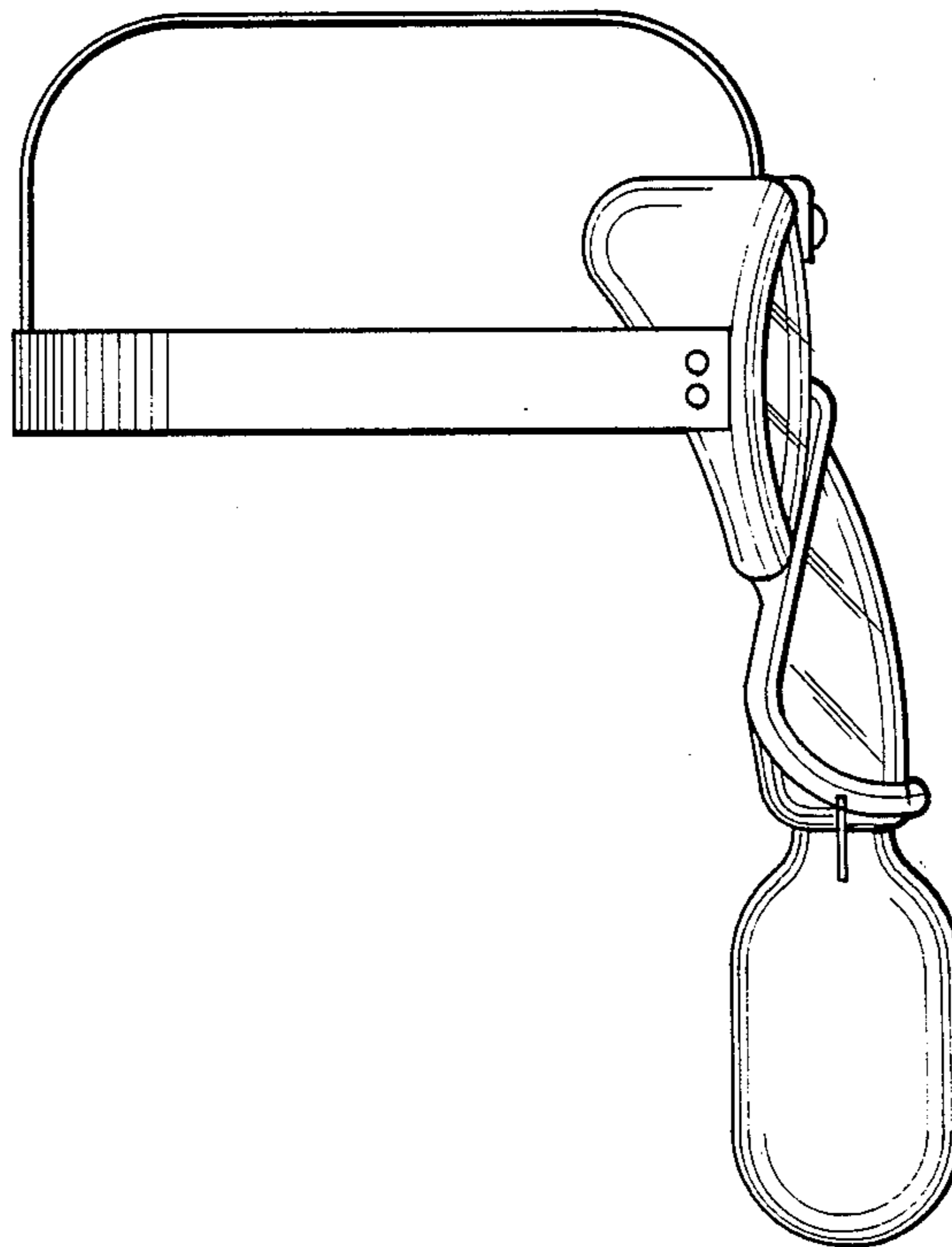


Fig. 1

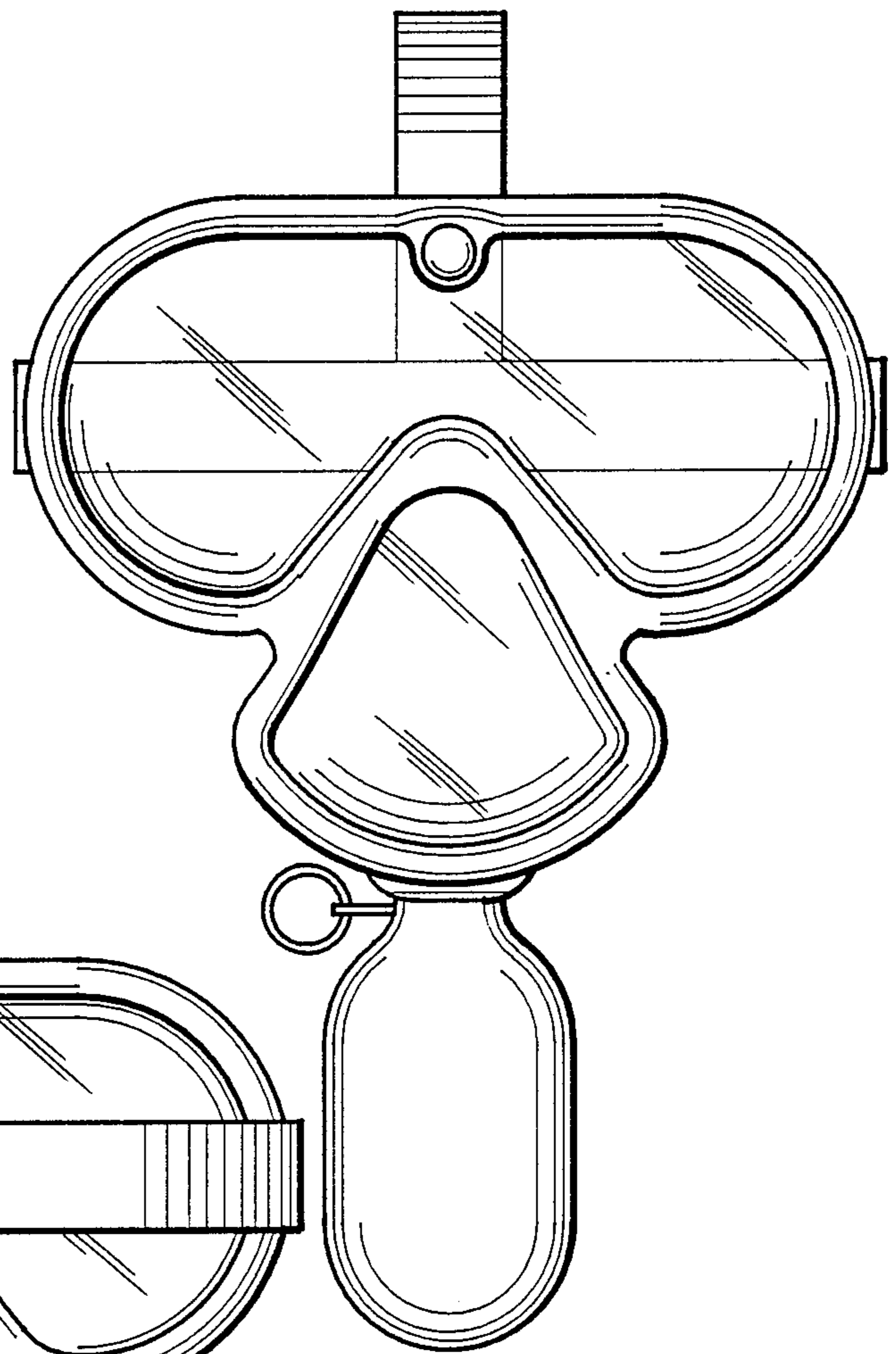


Fig. 2

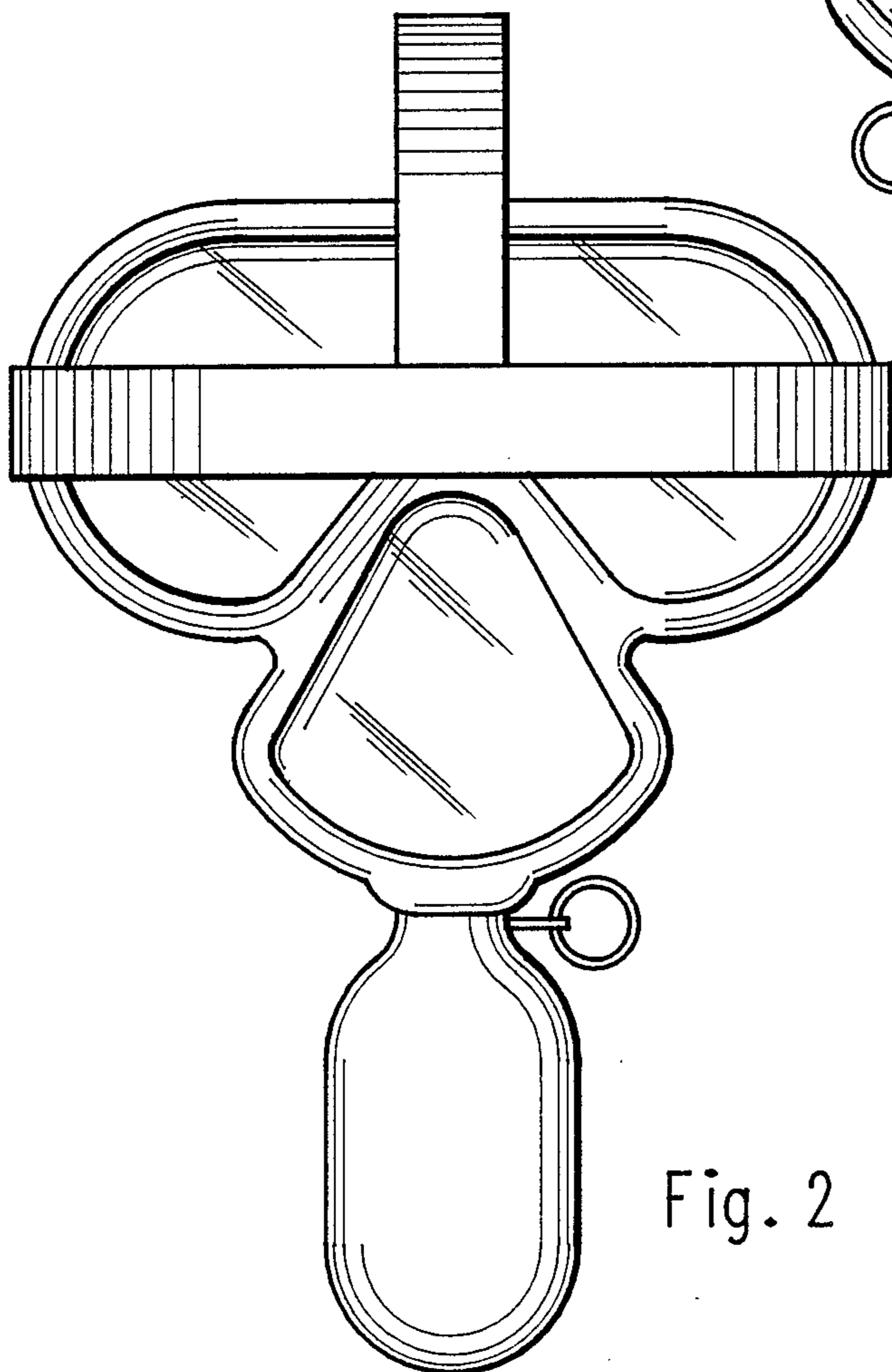


Fig. 3

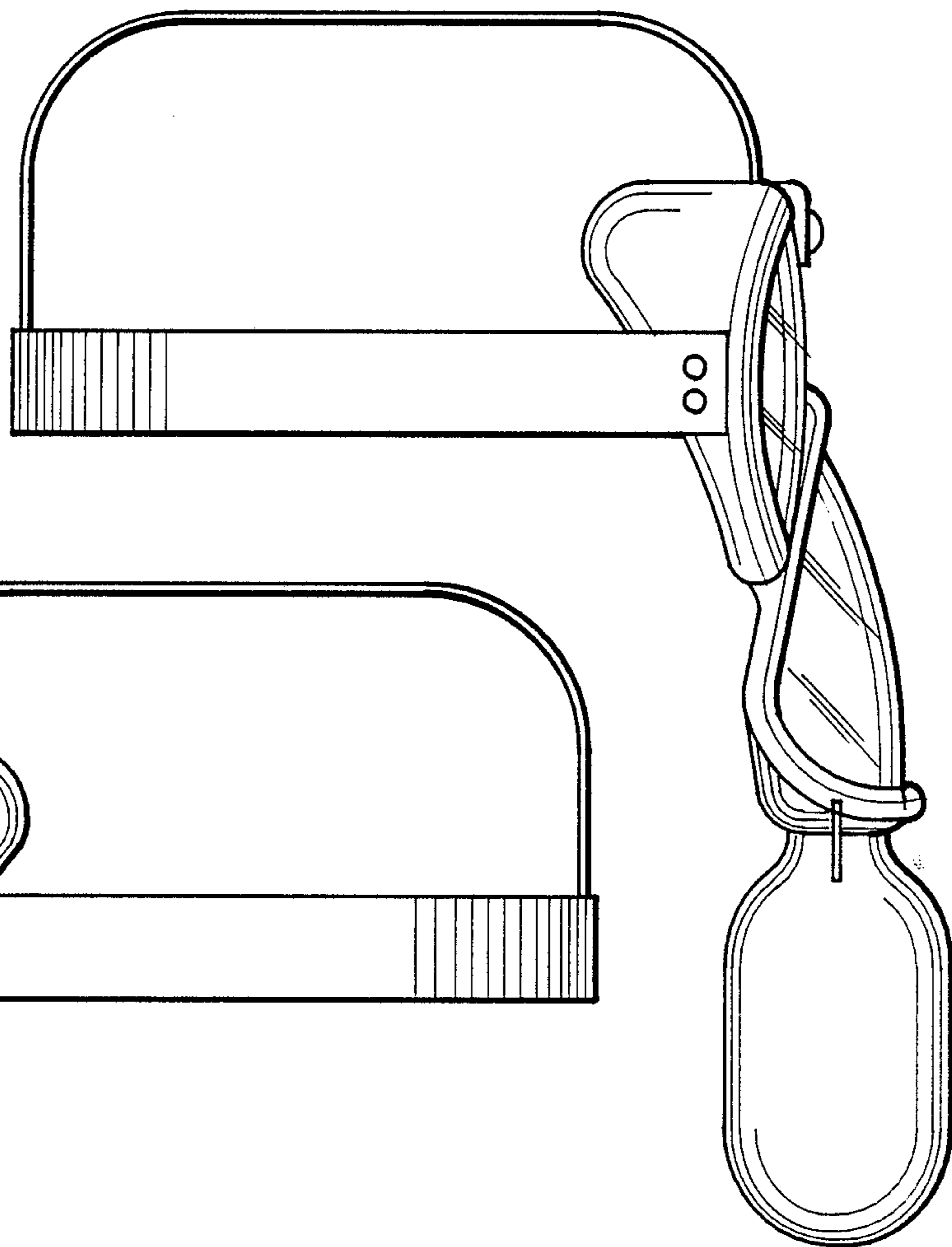


Fig. 4

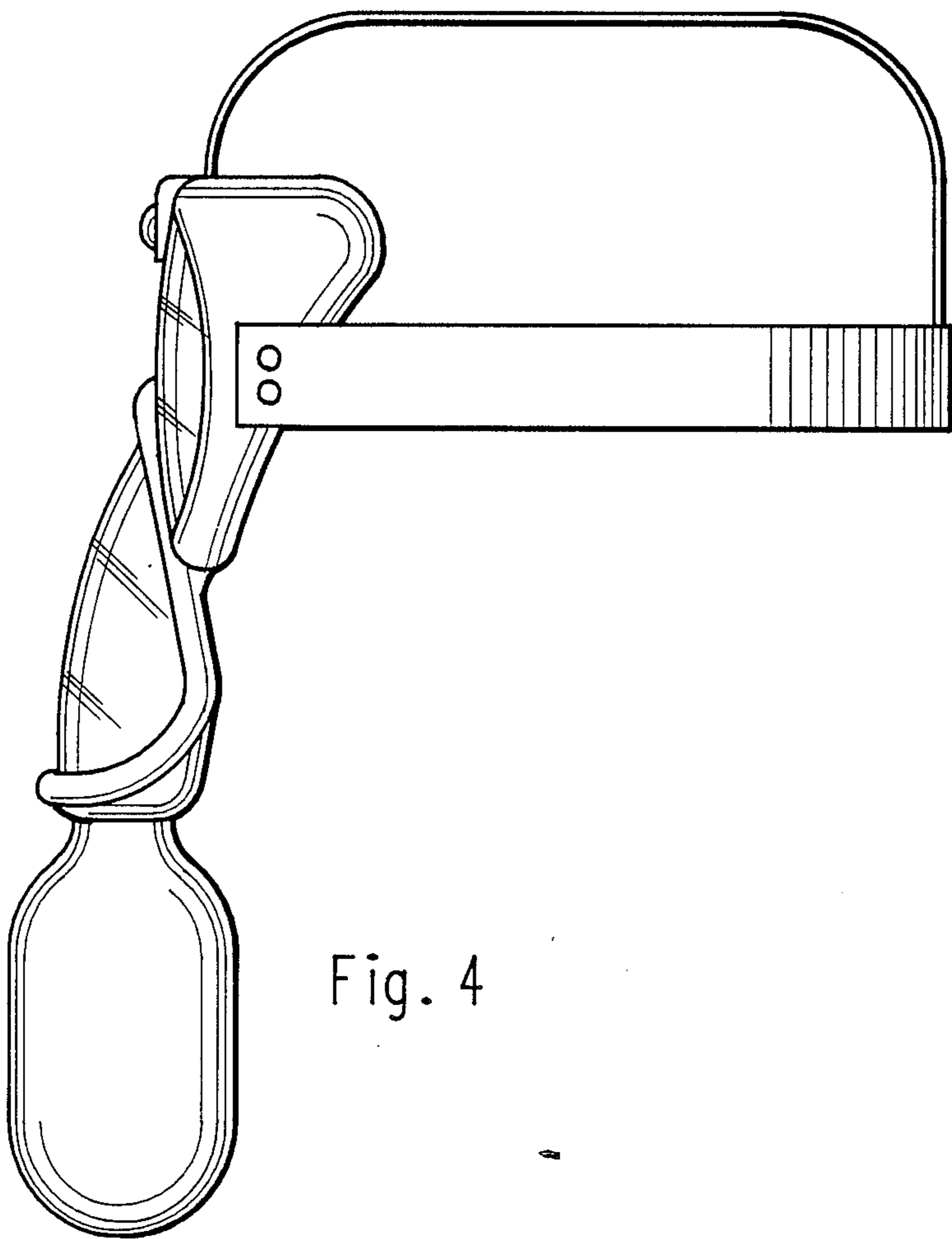


Fig. 5

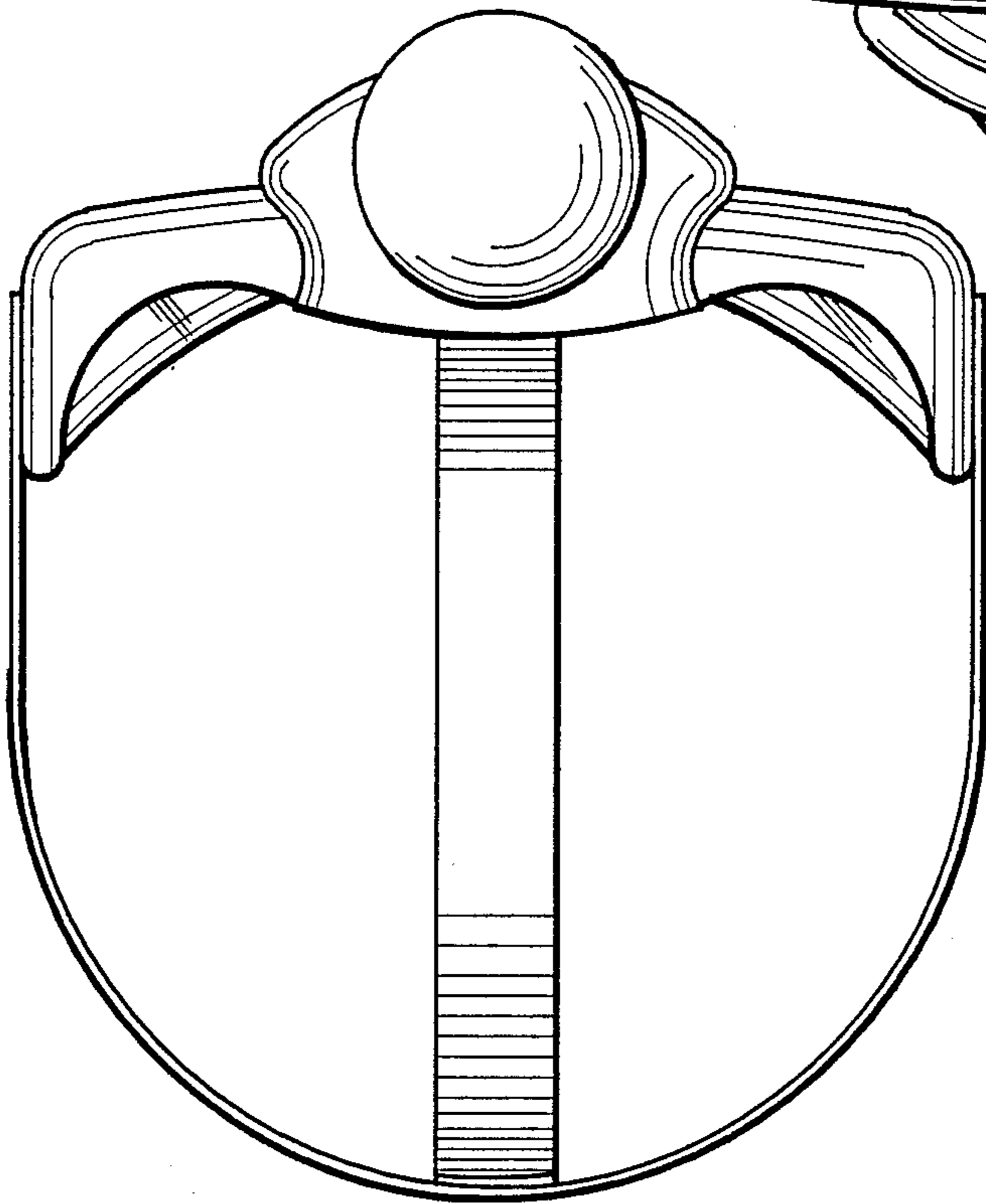
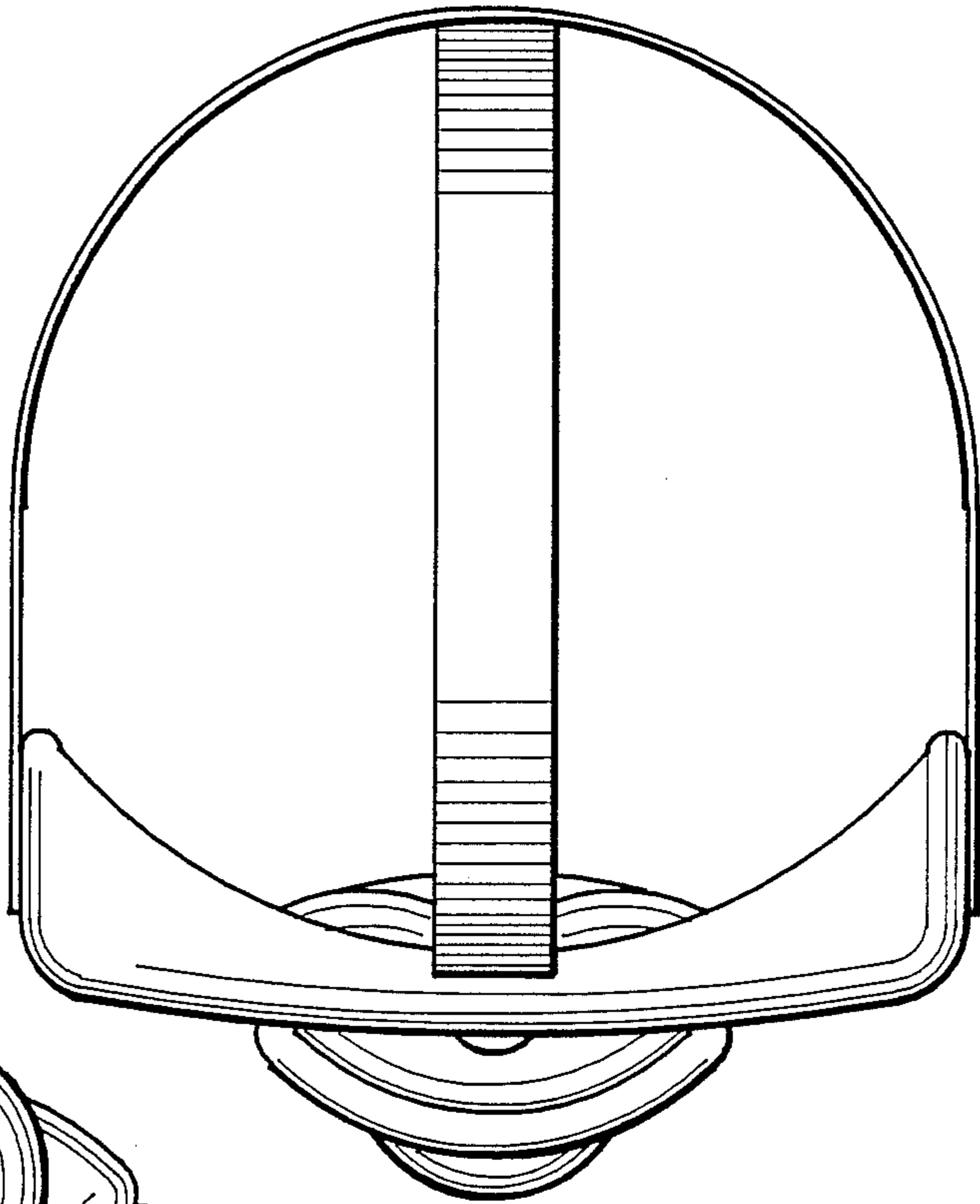


Fig. 6