

United States Patent [19]

Trinkwalder, Jr.

[11] Patent Number: **Des. 311,788**

[45] Date of Patent: **** Oct. 30, 1990**

[54] VALVE FOR SCUBA EQUIPMENT OR THE LIKE

[75] Inventor: **Joseph C. Trinkwalder, Jr.**, North Tonawanda, N.Y.

[73] Assignee: **Harsco Corp.**, Wormleysburg, Pa.

[**] Term: **14 Years**

[21] Appl. No.: **193,488**

[22] Filed: **May 11, 1988**

[52] U.S. Cl. **D29/6**

[58] Field of Search **D23/235; D29/6, 7; 128/201.11, 205.24, 204.26**

D. 202,319 9/1965 Shugarman D29/6
D. 203,640 2/1966 Shugarman D29/6
D. 218,921 10/1970 Lecocq D29/6
D. 283,740 5/1986 Kliesinger et al. D29/6
4,328,798 5/1982 Isaacson 128/205.24 X
4,819,626 4/1989 Himmens 128/205.24 X

Primary Examiner—Louis S. Zarfes
Assistant Examiner—Demetrius Reynolds
Attorney, Agent, or Firm—Sommer, Oliverio & Sommer

[57] CLAIM

The ornamental design for a valve for scuba equipment or the like, as shown.

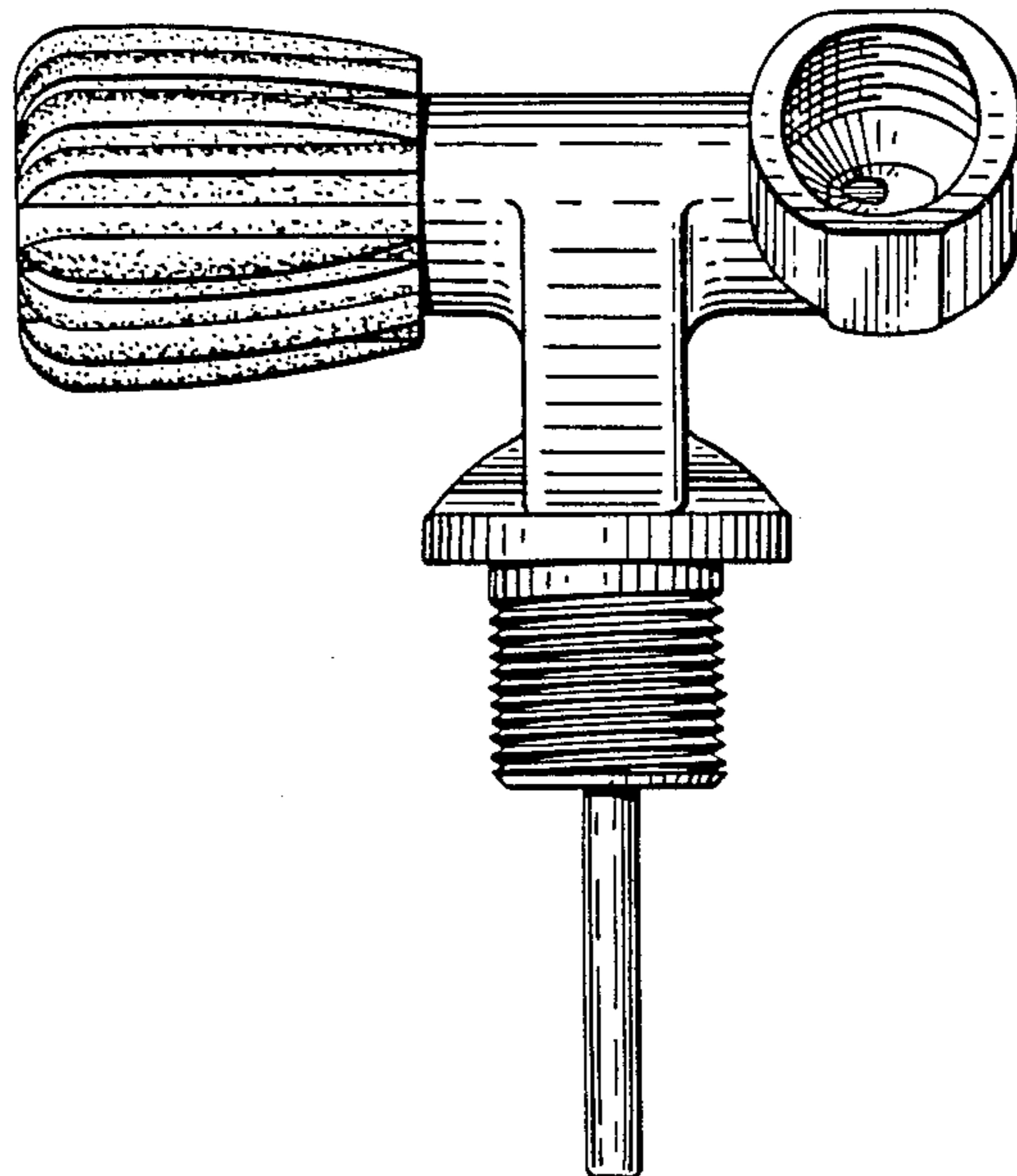
DESCRIPTION

FIG. 1 is a front elevational view of a valve for scuba equipment or the like showing my new design; FIG. 2 is a rear elevational view thereof; FIG. 3 is a top plan view thereof; FIG. 4 is a bottom plan view thereof; FIG. 5 is a left side elevational view thereof; and FIG. 6 is a right side elevational view thereof.

[56] References Cited

U.S. PATENT DOCUMENTS

D. 172,372 6/1954 Wagner D23/235
D. 195,070 4/1963 Lecocq D29/6
D. 195,803 7/1963 Elder D29/6
D. 202,318 9/1965 Shugarman D29/6



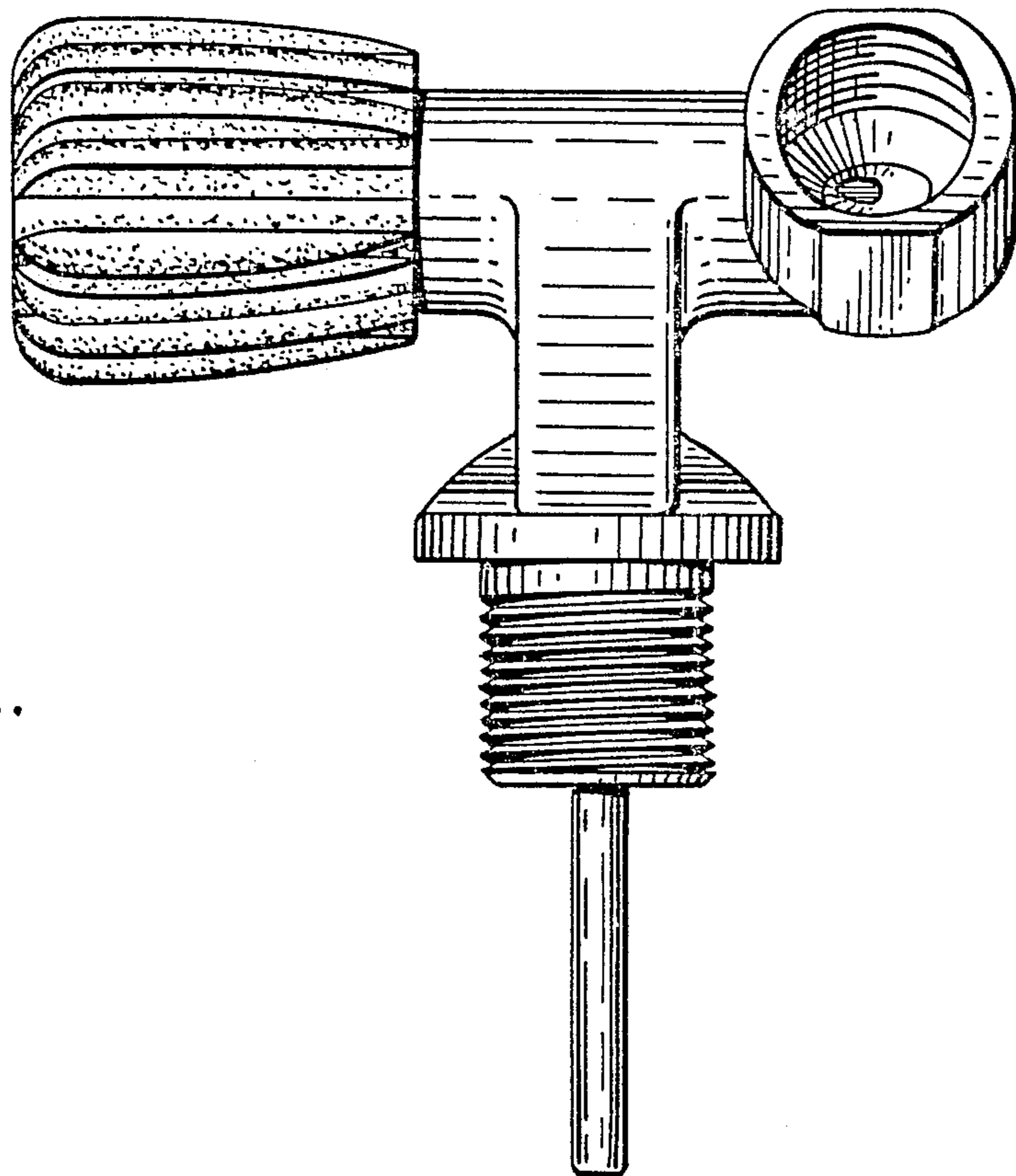


Fig. 1.

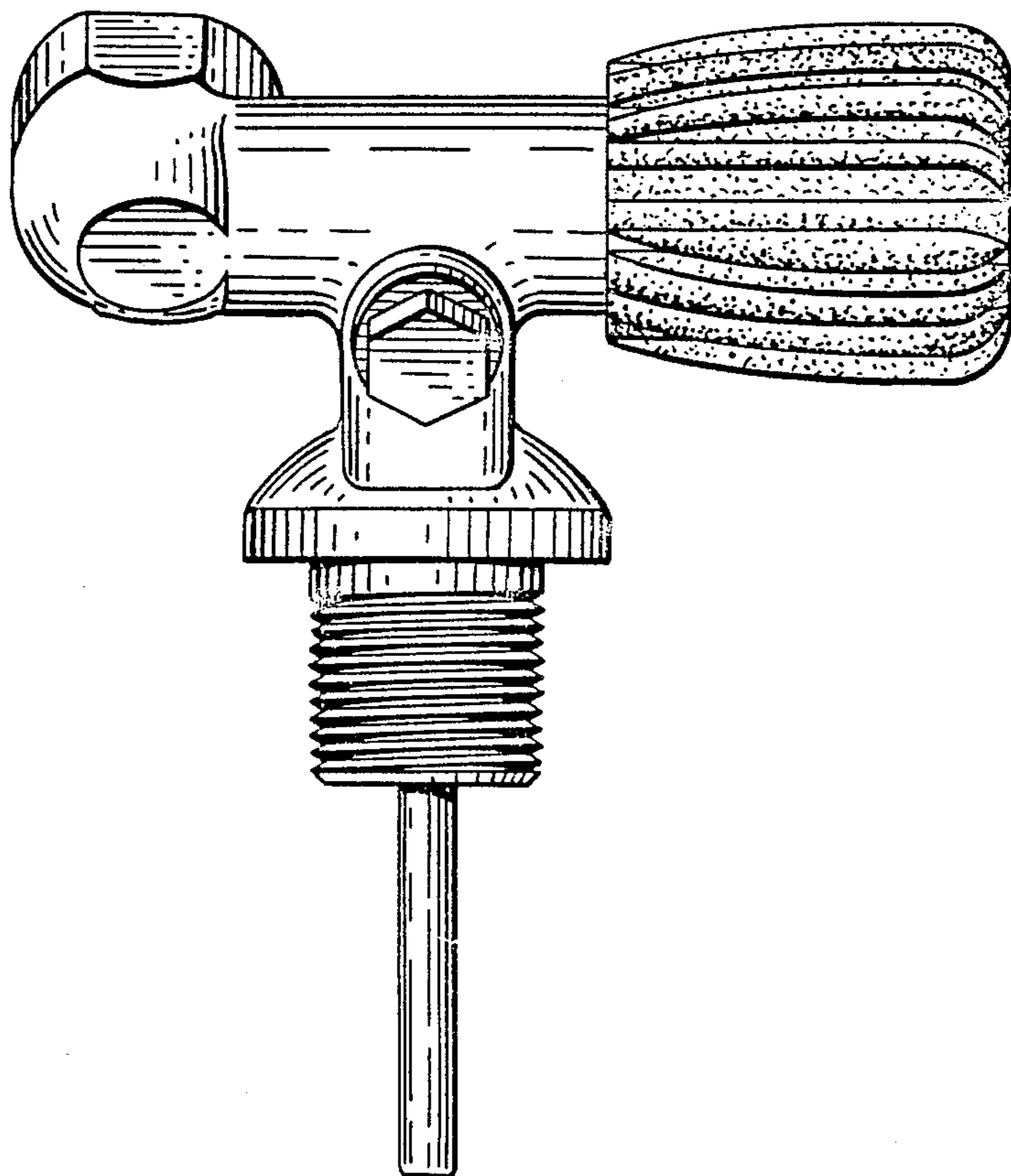


Fig. 2.

Fig. 3.

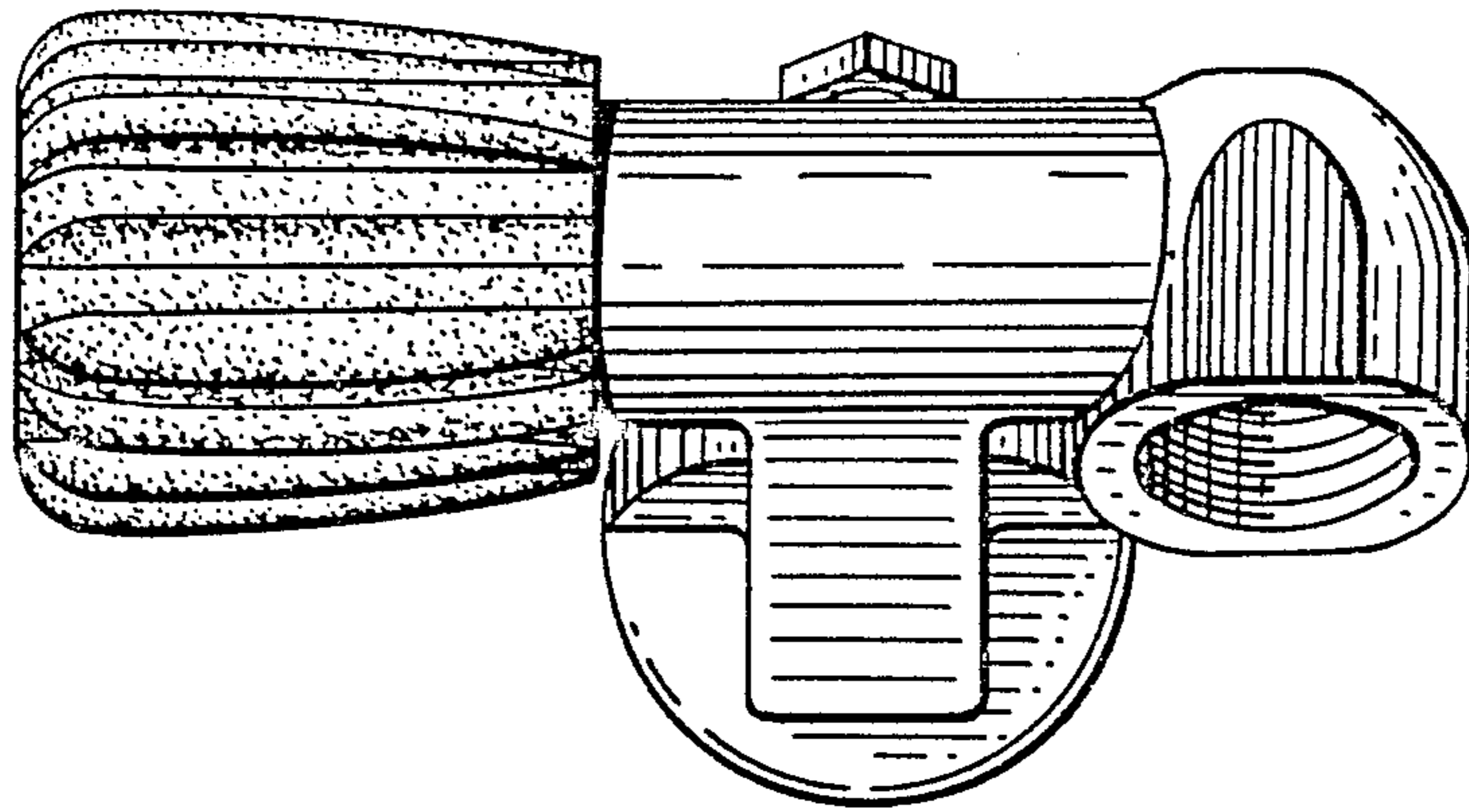


Fig. 4.

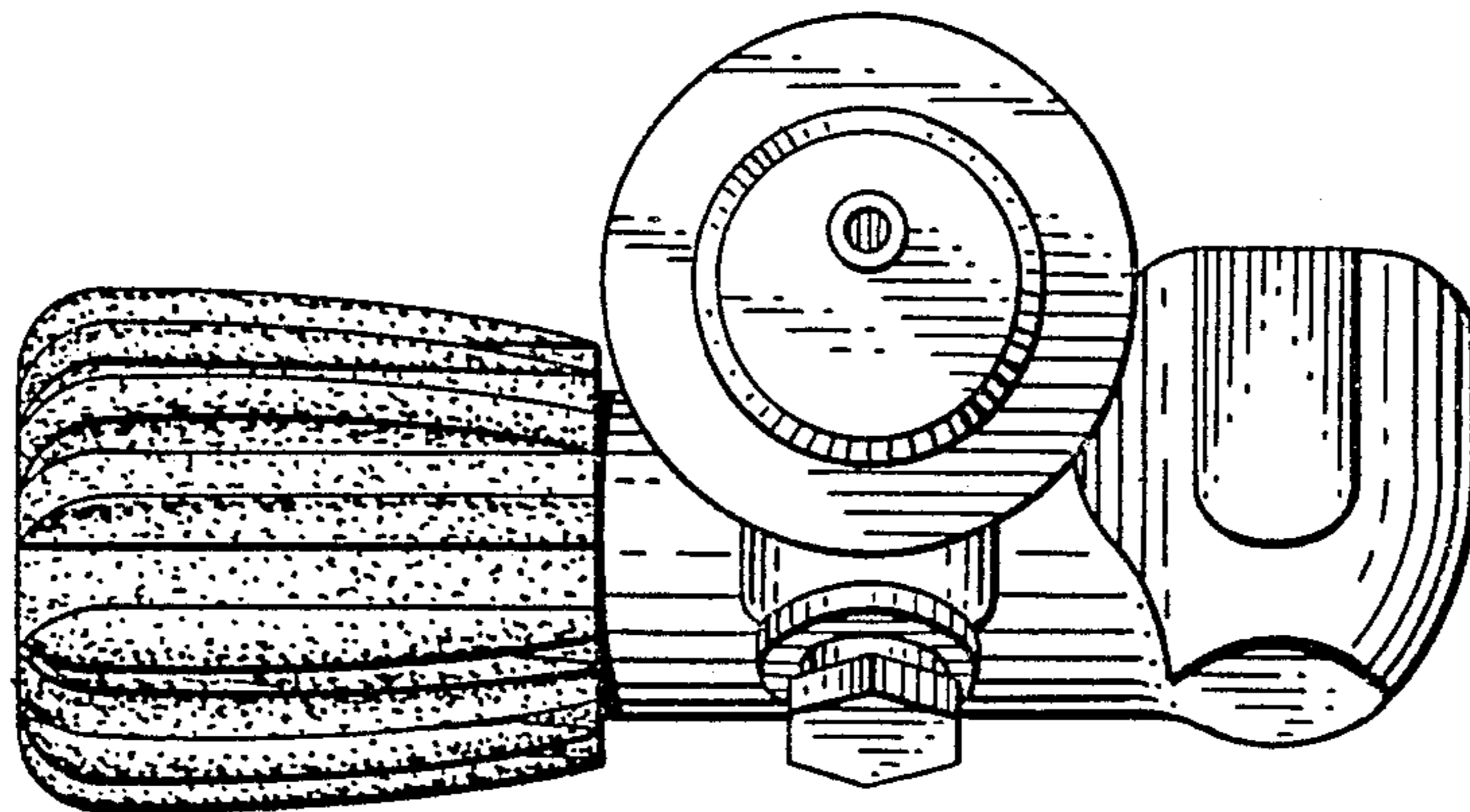


Fig. 5.

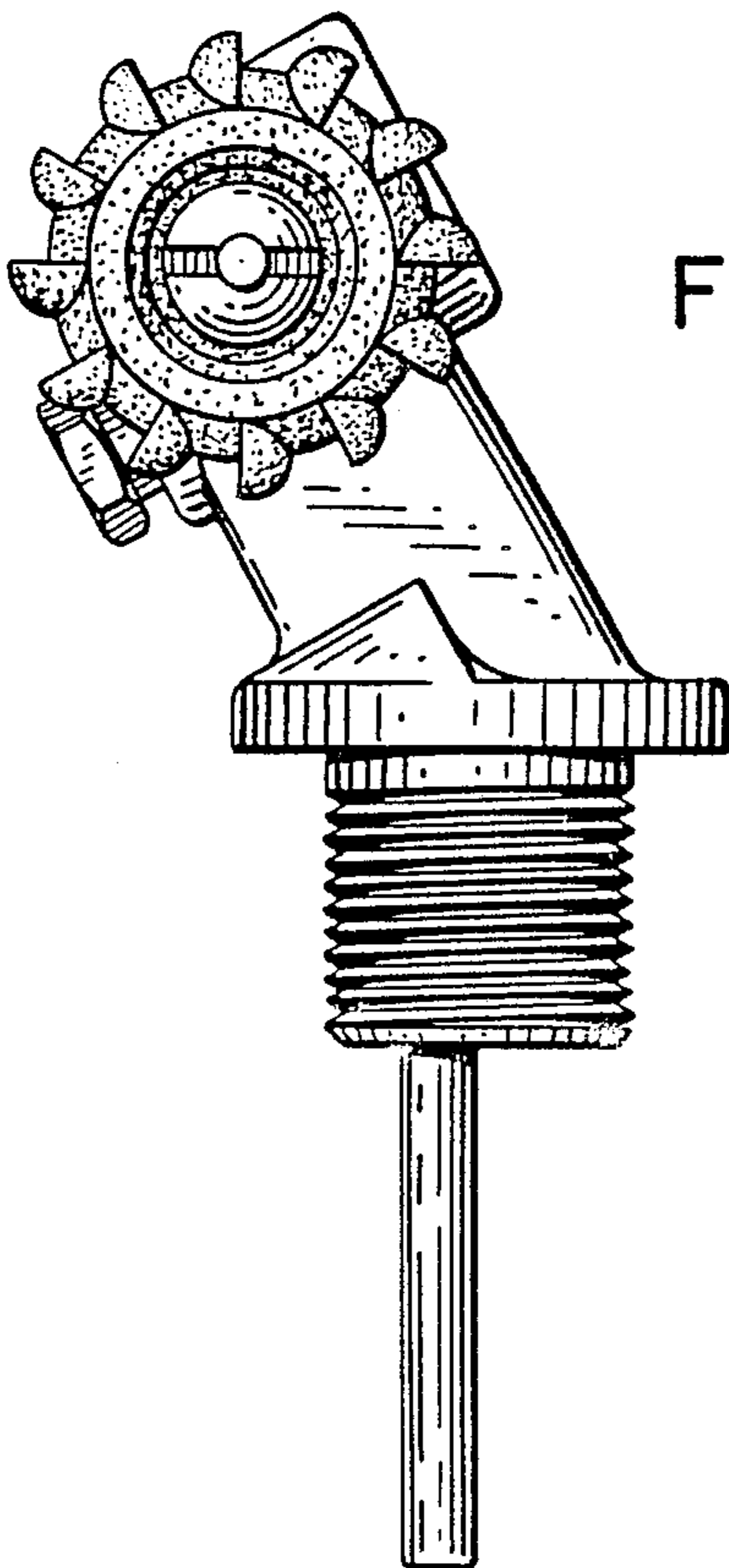


Fig. 6.

