

[54] **MANICURIST STAND**

[76] **Inventor: Lawrence D. Gaynor, 7139 Hillside Dr., West Bloomfield, Mich. 48322**

[**] **Term: 14 Years**

[21] **Appl. No.: 256,922**

[22] **Filed: Oct. 12, 1988**

[52] **U.S. Cl. D28/61**

[58] **Field of Search D28/56-62, D28/76-77; 30/26; 132/73-73.5**

[56] **References Cited**

U.S. PATENT DOCUMENTS

| | | | |
|------------|---------|-----------------------|--------|
| D. 69,338 | 1/1926 | Weigel | D28/61 |
| D. 208,376 | 8/1967 | De'Caccia | D28/61 |
| D. 290,534 | 6/1987 | Wendkos | D28/76 |
| D. 295,796 | 5/1988 | Wadsworth et al. | D28/77 |
| D. 298,865 | 12/1988 | Sussman | D28/76 |

OTHER PUBLICATIONS

HFD-Retail Home Furnishings, Jul. 11, 1983, Sec. II-36.

Primary Examiner—Bernard Ansher

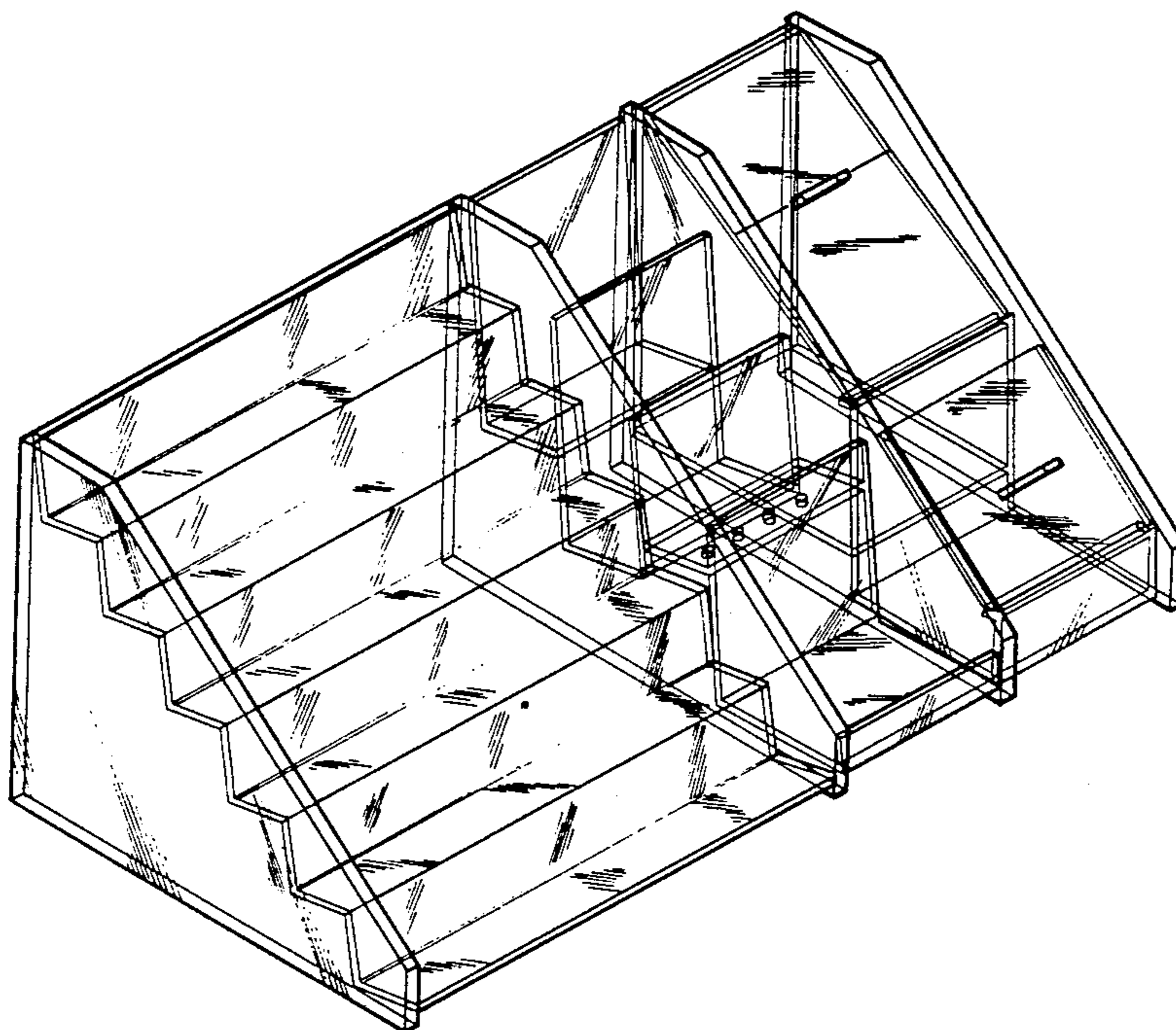
Assistant Examiner—David Jeo

[57] **CLAIM**

The ornamental design for a manicurist stand, as shown and described.

DESCRIPTION

FIG. 1 is a front perspective view of a manicurist stand showing my new design;
FIG. 2 is a rear elevational view thereof;
FIG. 3 is a top plan view thereof;
FIG. 4 is a right side elevational view thereof;
FIG. 5 is a left side elevational view thereof;
FIG. 6 is a front elevational view thereof;
FIG. 7 is a bottom plan view thereof;
FIG. 8 is a front perspective view of a second embodiment of a manicurist stand; and
FIG. 9 is an exploded perspective view thereof.



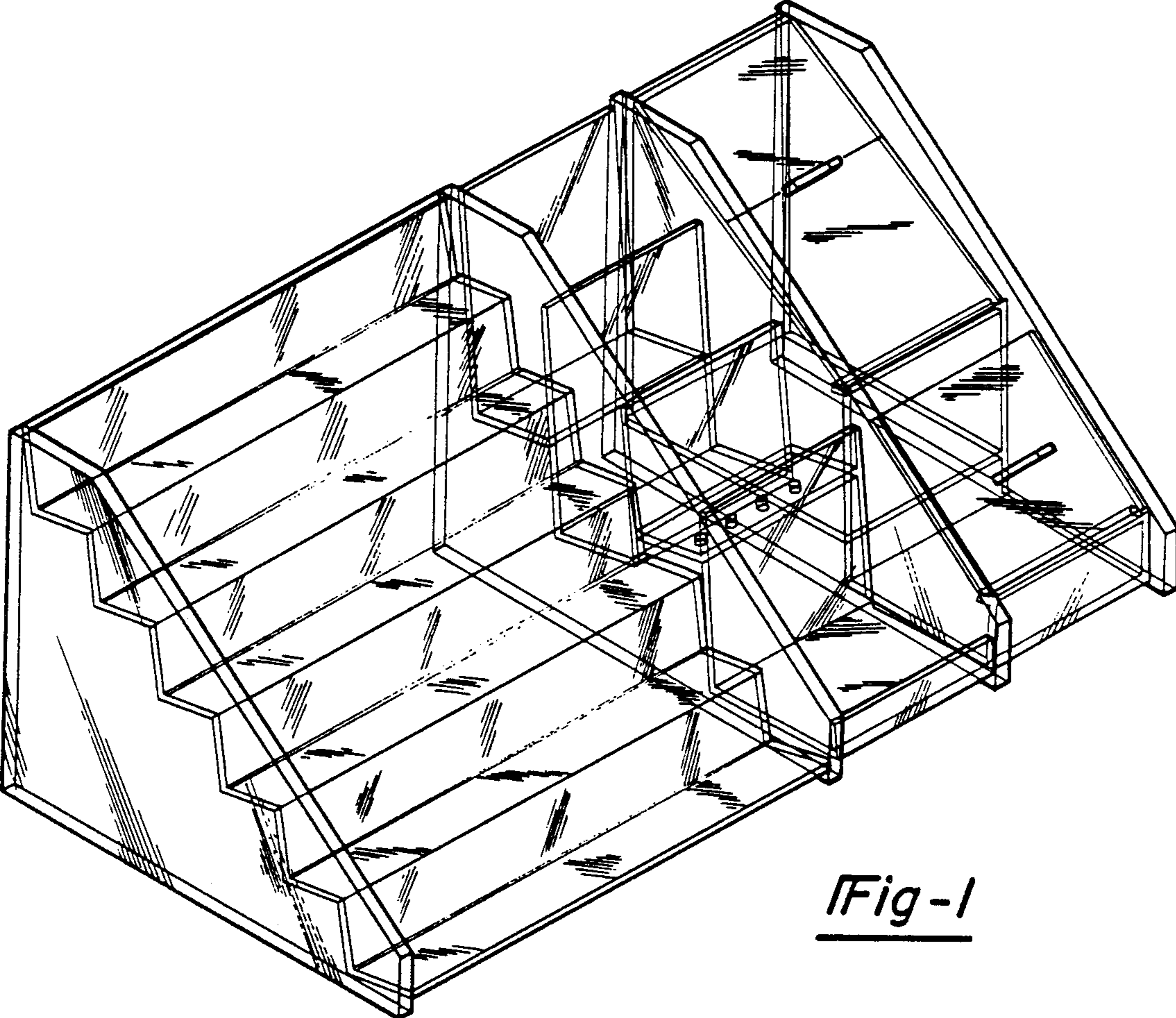


Fig-1

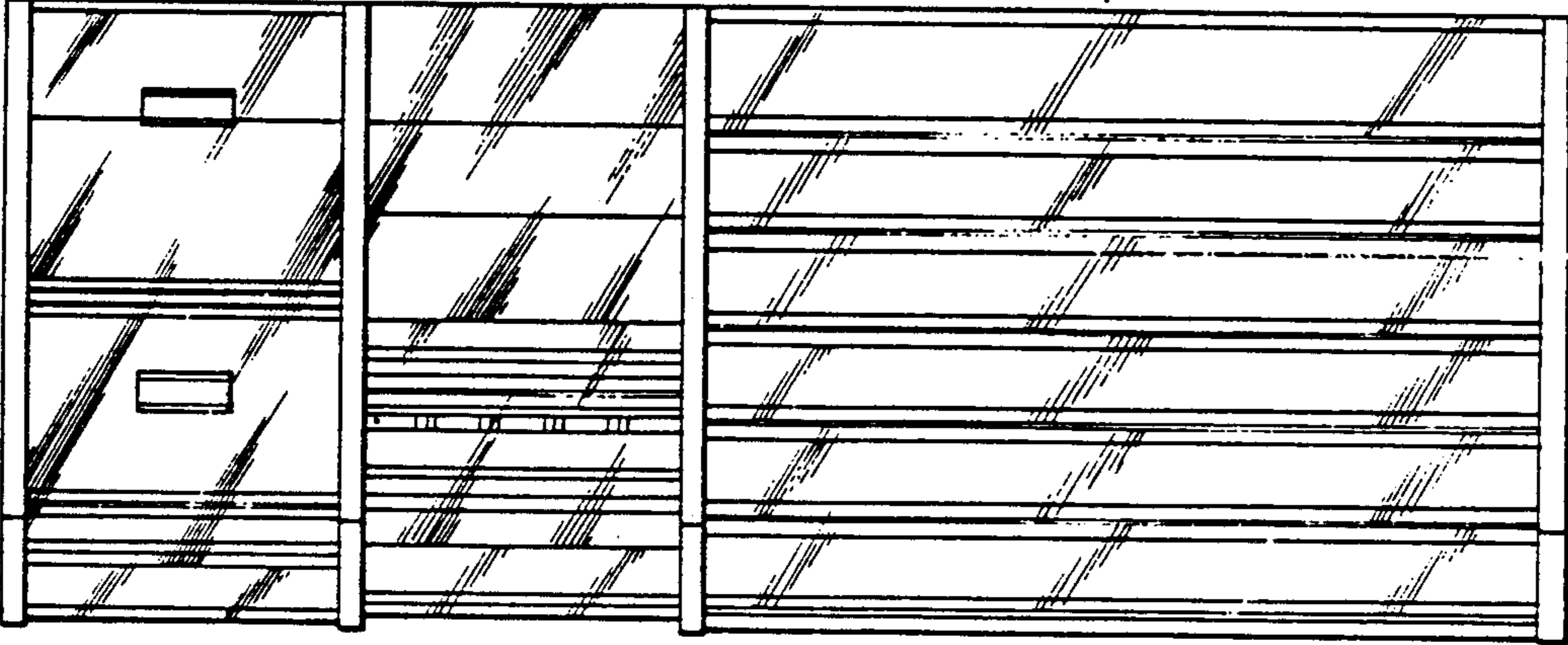


Fig-2

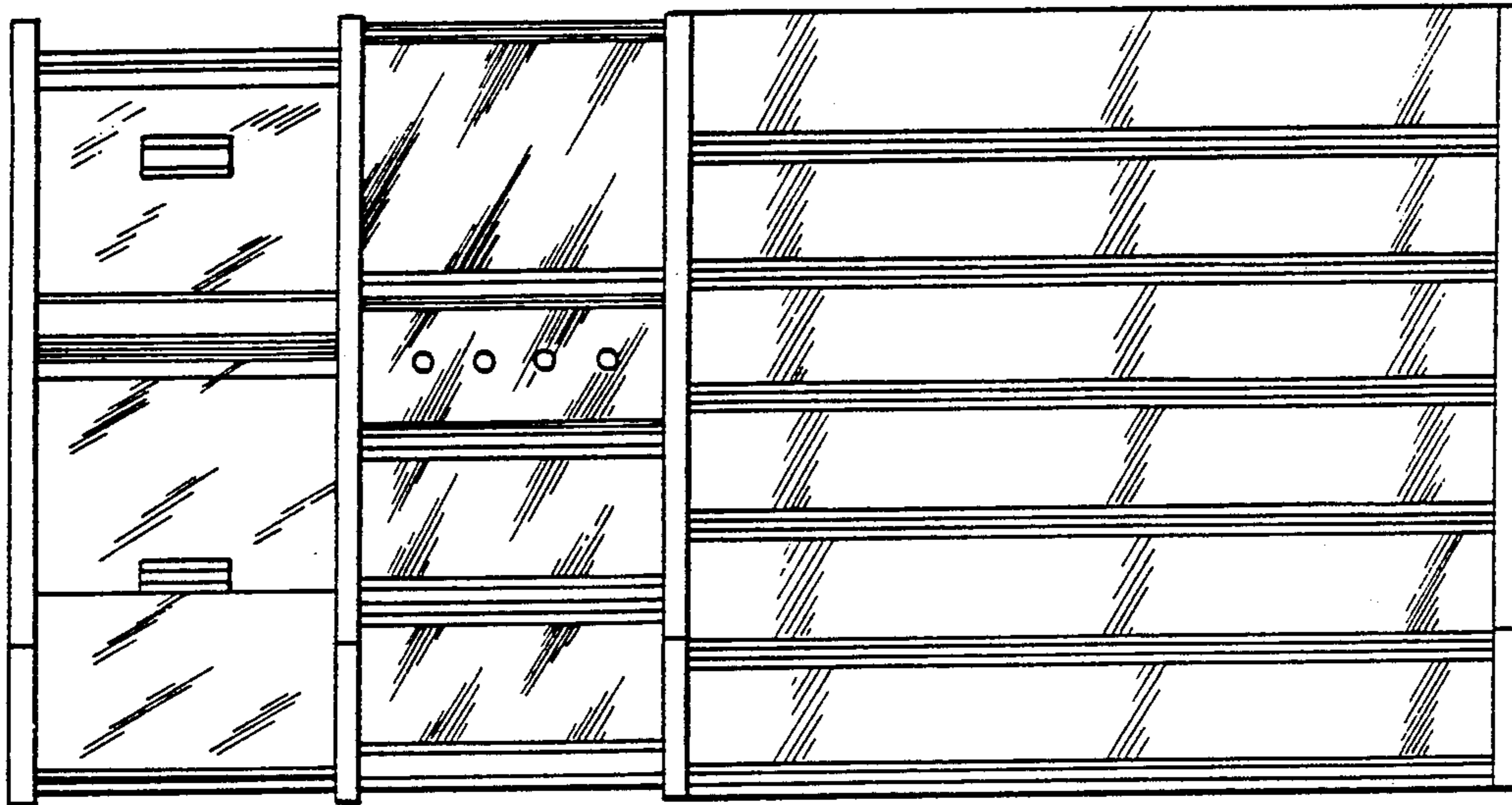


Fig-3

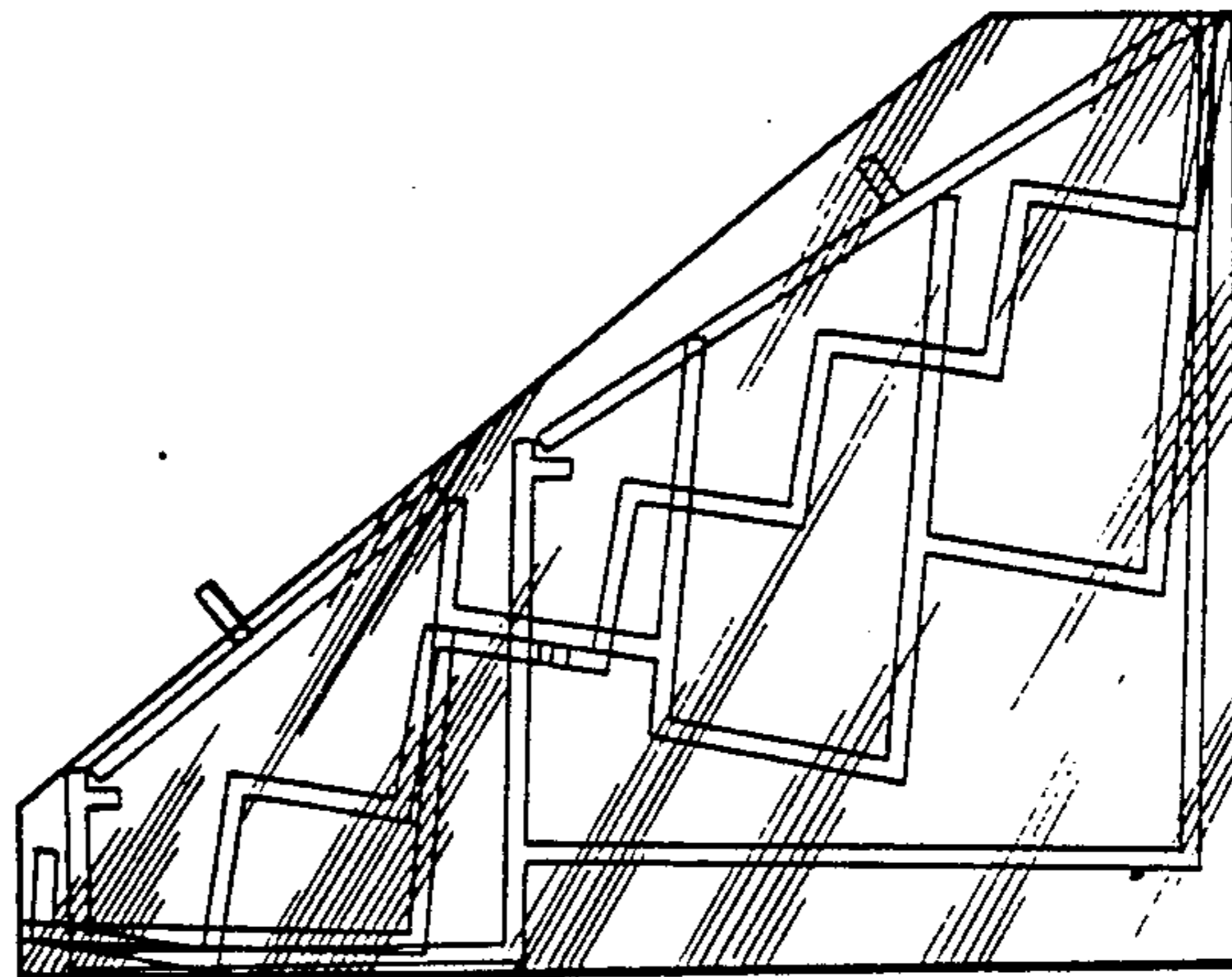


Fig-4

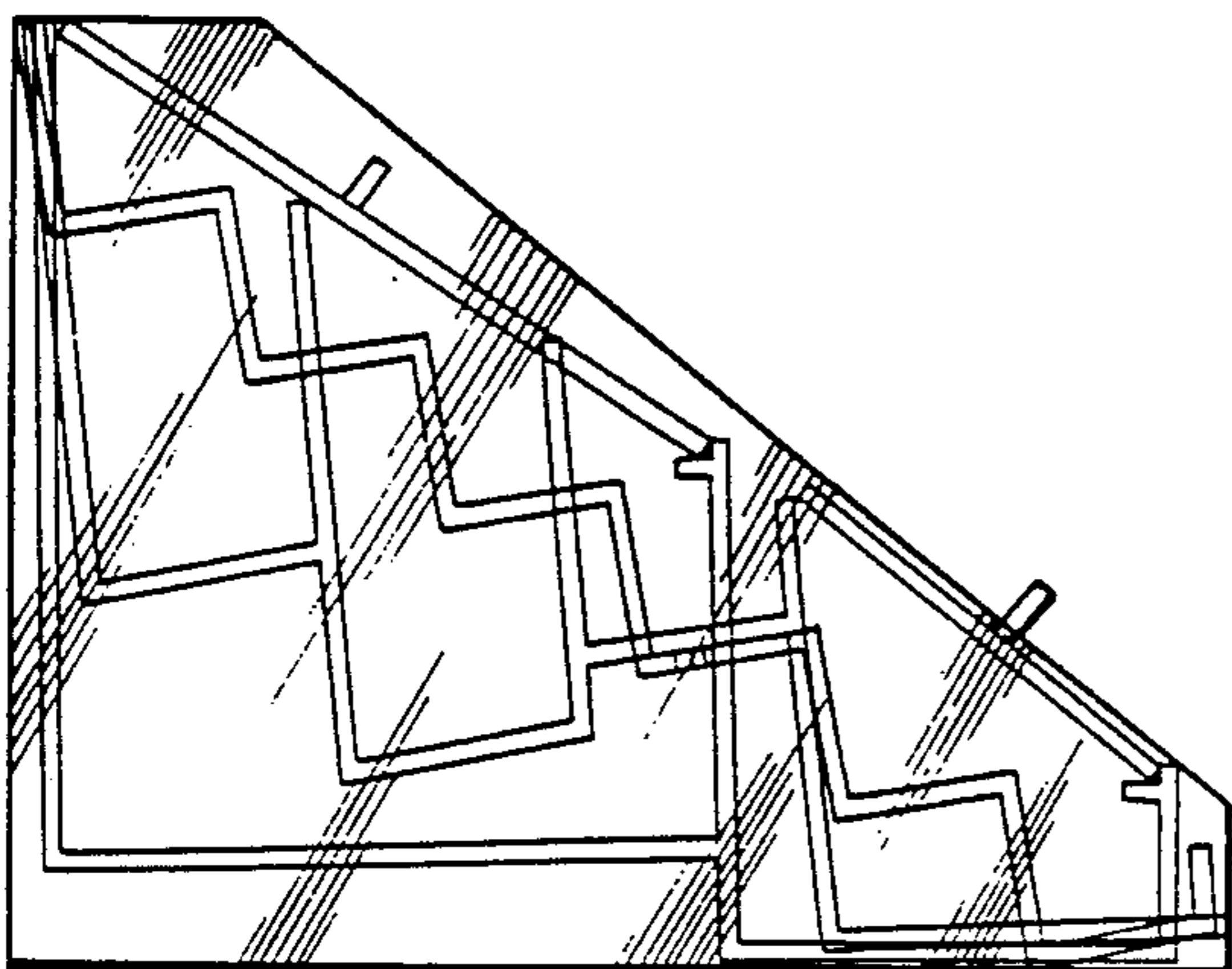


Fig-5

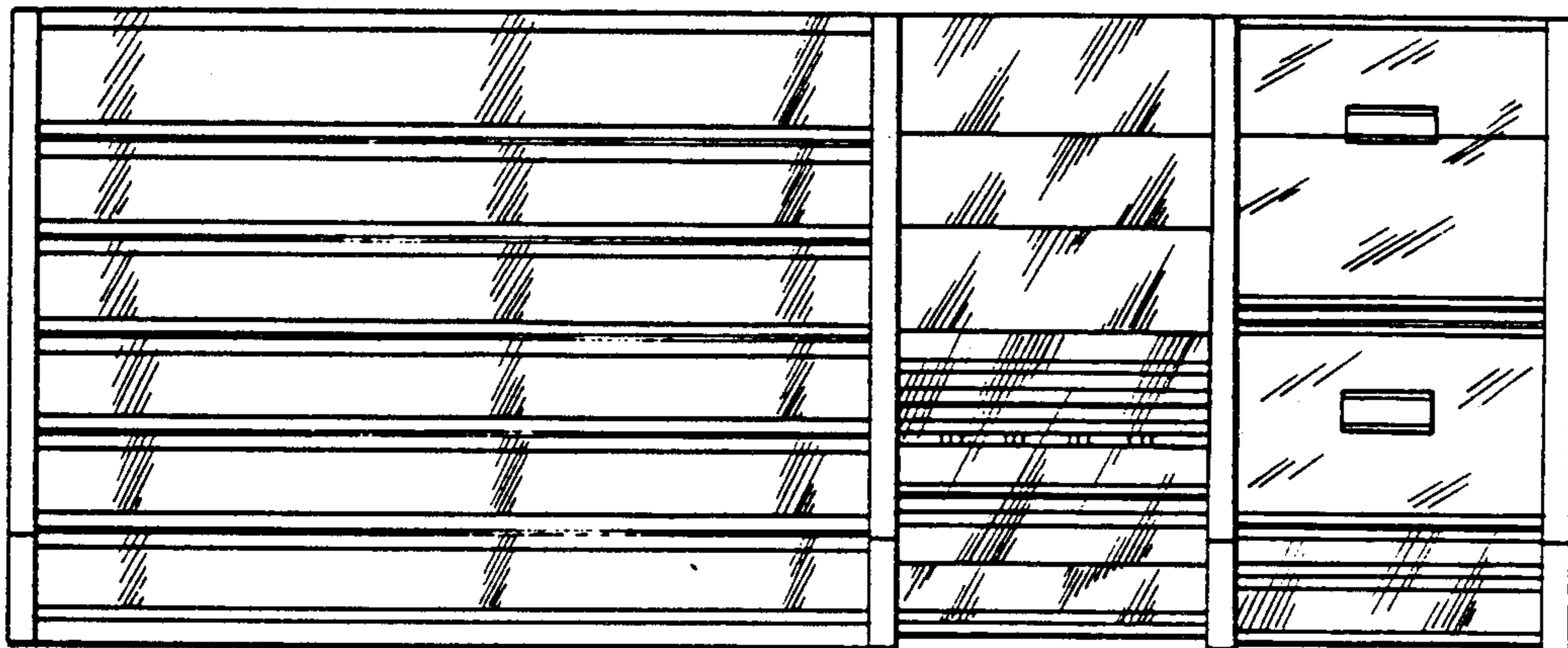


Fig-6

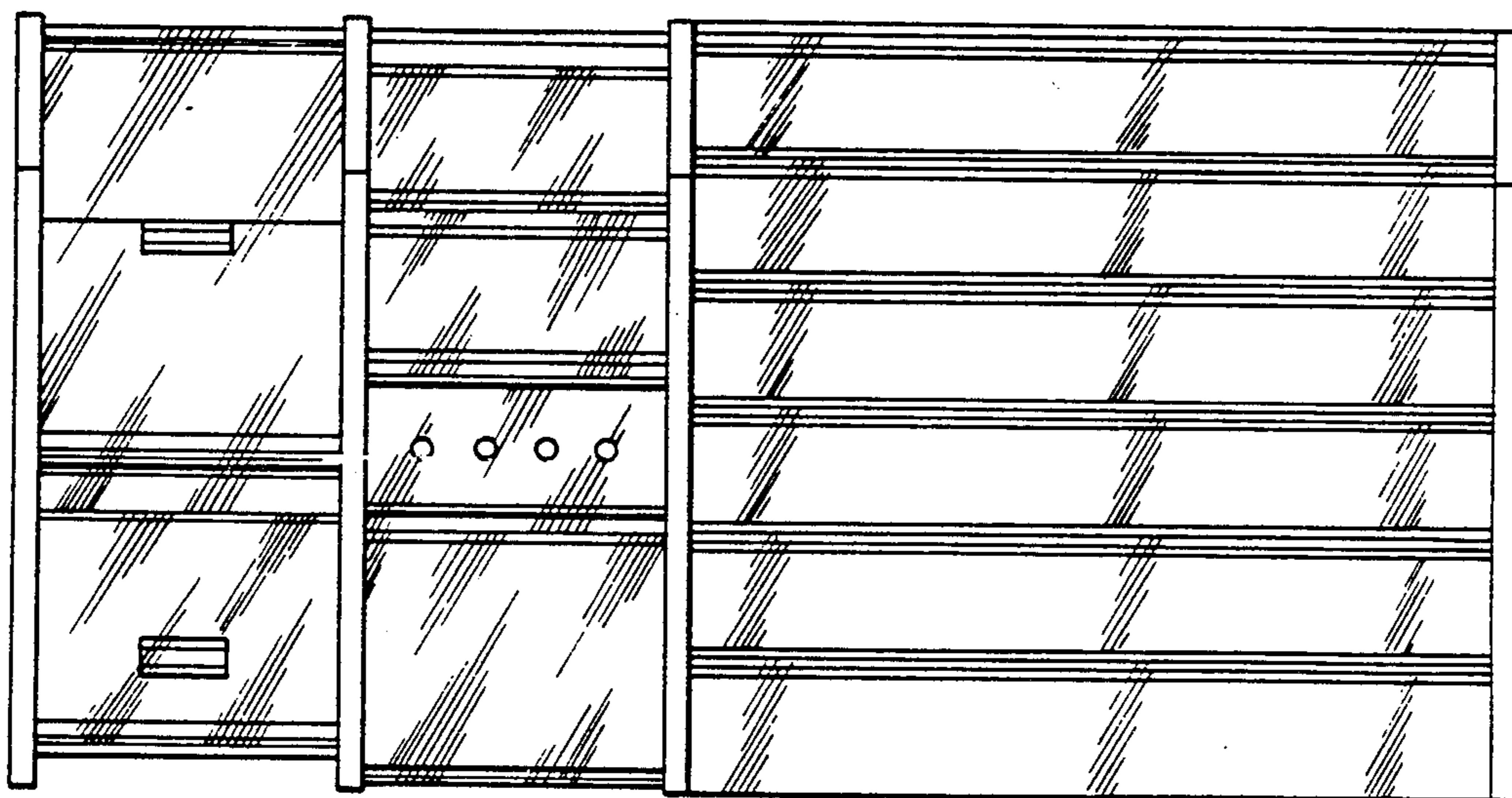


Fig-7

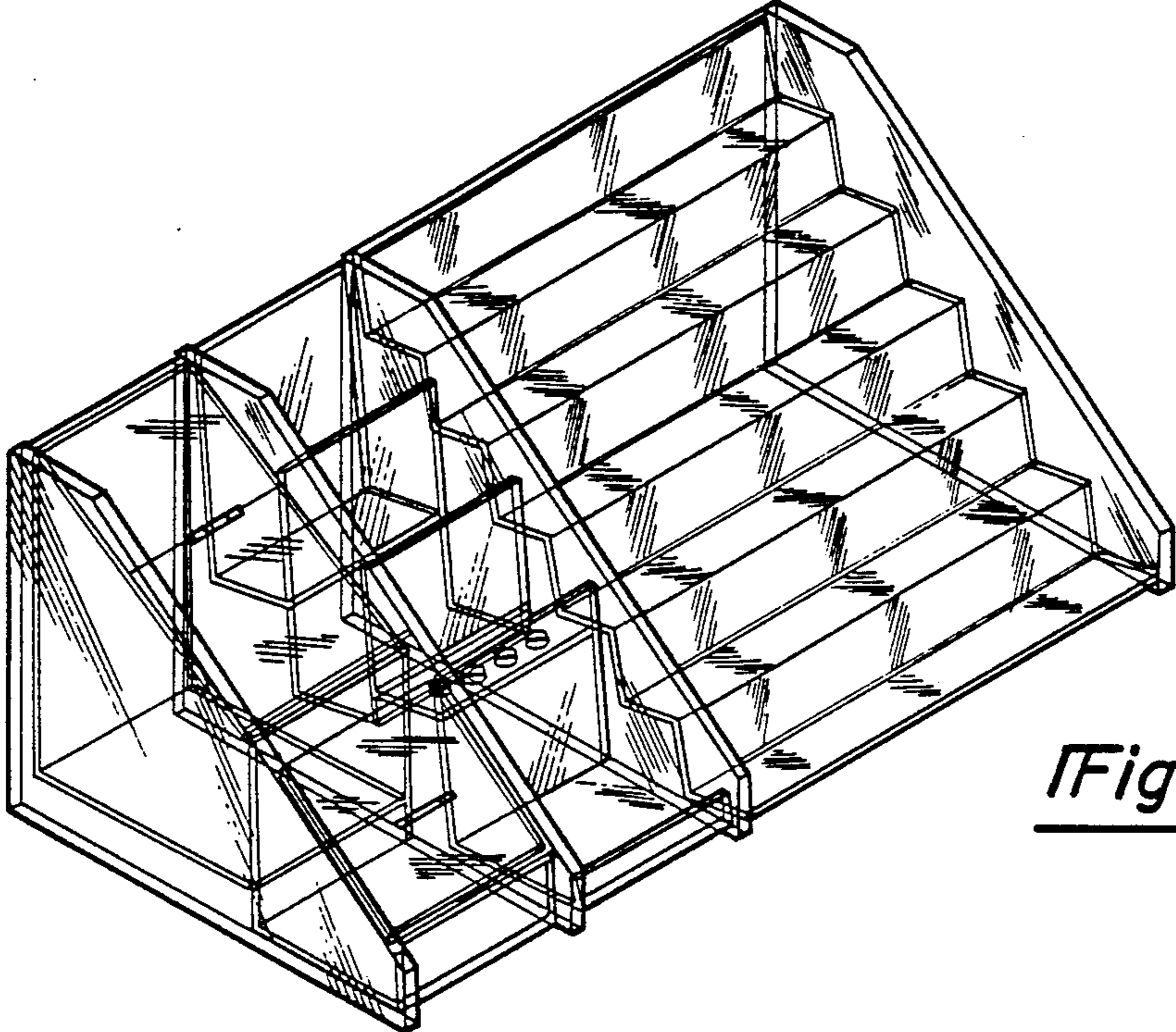


Fig-8

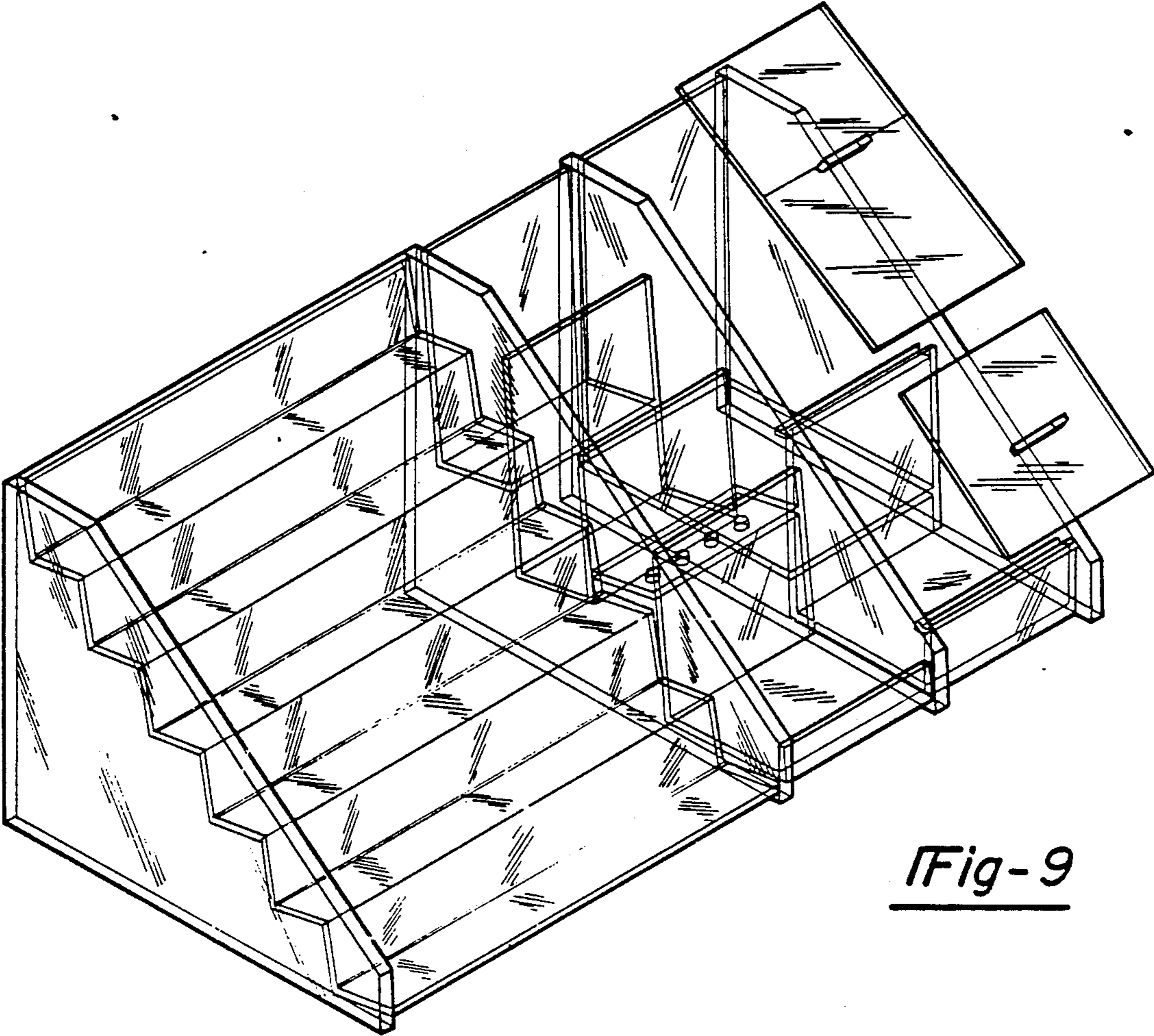


Fig-9