

United States Patent [19]

Dennis

[11] Patent Number: **Des. 311,778**

[45] Date of Patent: **** Oct. 30, 1990**

[54] **SUPERLIGHT**

[76] Inventor: **Raymond L. Dennis, 16 E. Terrace, Cleve., South Australia, Australia, 5640**

[**] Term: **14 Years**

[21] Appl. No.: **59,279**

[22] Filed: **Jun. 8, 1987**

[52] U.S. Cl. **D26/45**

[58] Field of Search **D26/37, 44, 45, 24; 362/157, 158, 183, 187, 110, 258, 376, 294**

[56] **References Cited**

U.S. PATENT DOCUMENTS

- D. 204,303 4/1966 Mellyn D26/45
- D. 204,412 4/1966 Abrams D26/45

- D. 232,857 9/1974 Lang D26/44
- D. 266,704 10/1982 Frezzolini et al. D26/44
- 3,398,271 8/1968 Sakamoto 362/158
- 4,241,385 12/1980 Asano 362/258
- 4,814,957 3/1989 Dennis 362/187

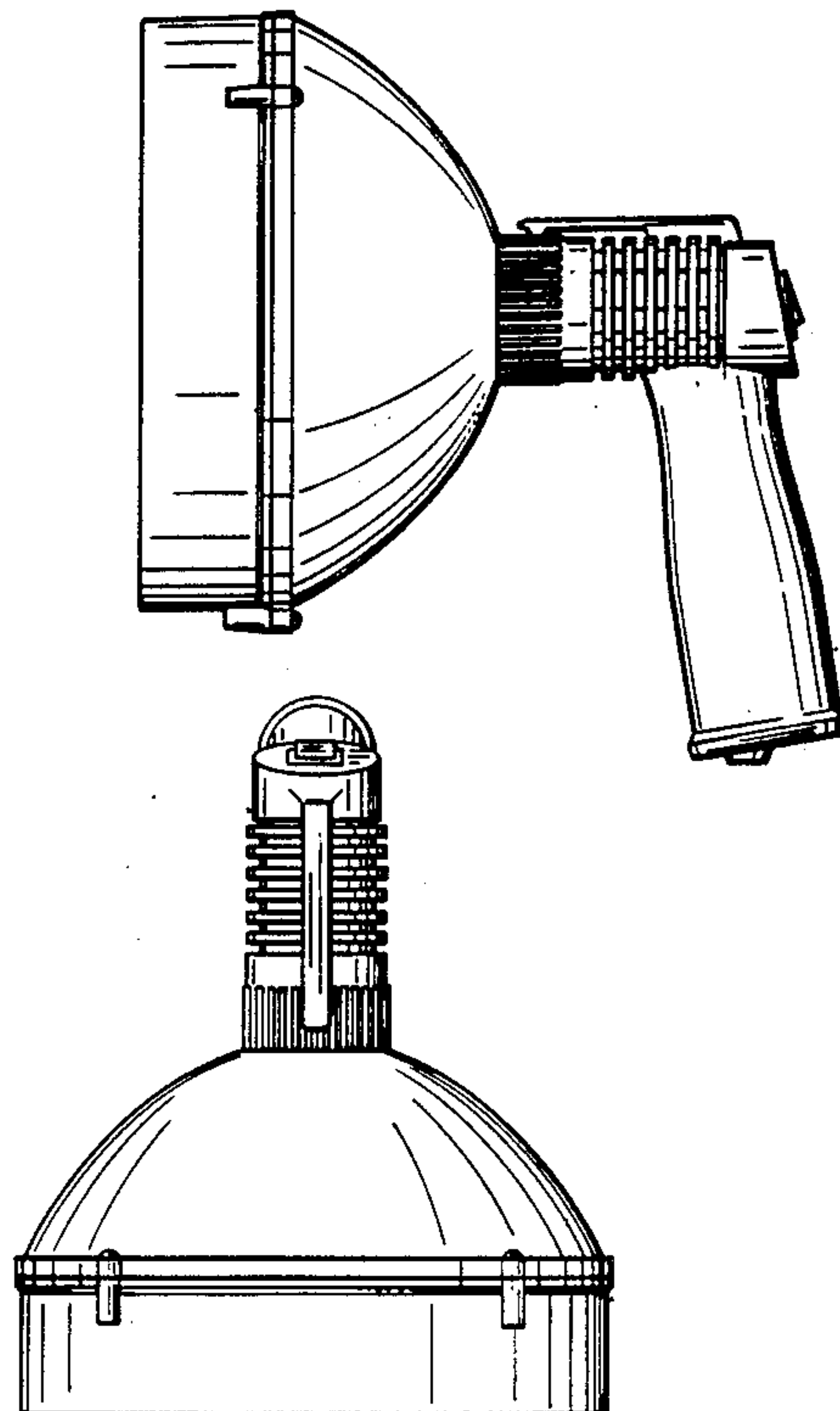
Primary Examiner—Susan J. Lucas
Attorney, Agent, or Firm—Head and Johnson

[57] **CLAIM**

The ornamental design for a superlight, as shown.

DESCRIPTION

- FIG. 1 is a front elevational view of the superlight showing my new design;
- FIG. 2 is a rear elevational view thereof;
- FIG. 3 is a right side elevational view thereof;
- FIG. 4 is a top plan view thereof;
- FIG. 5 is a left side elevational view thereof;
- FIG. 6 is a bottom plan view thereof.



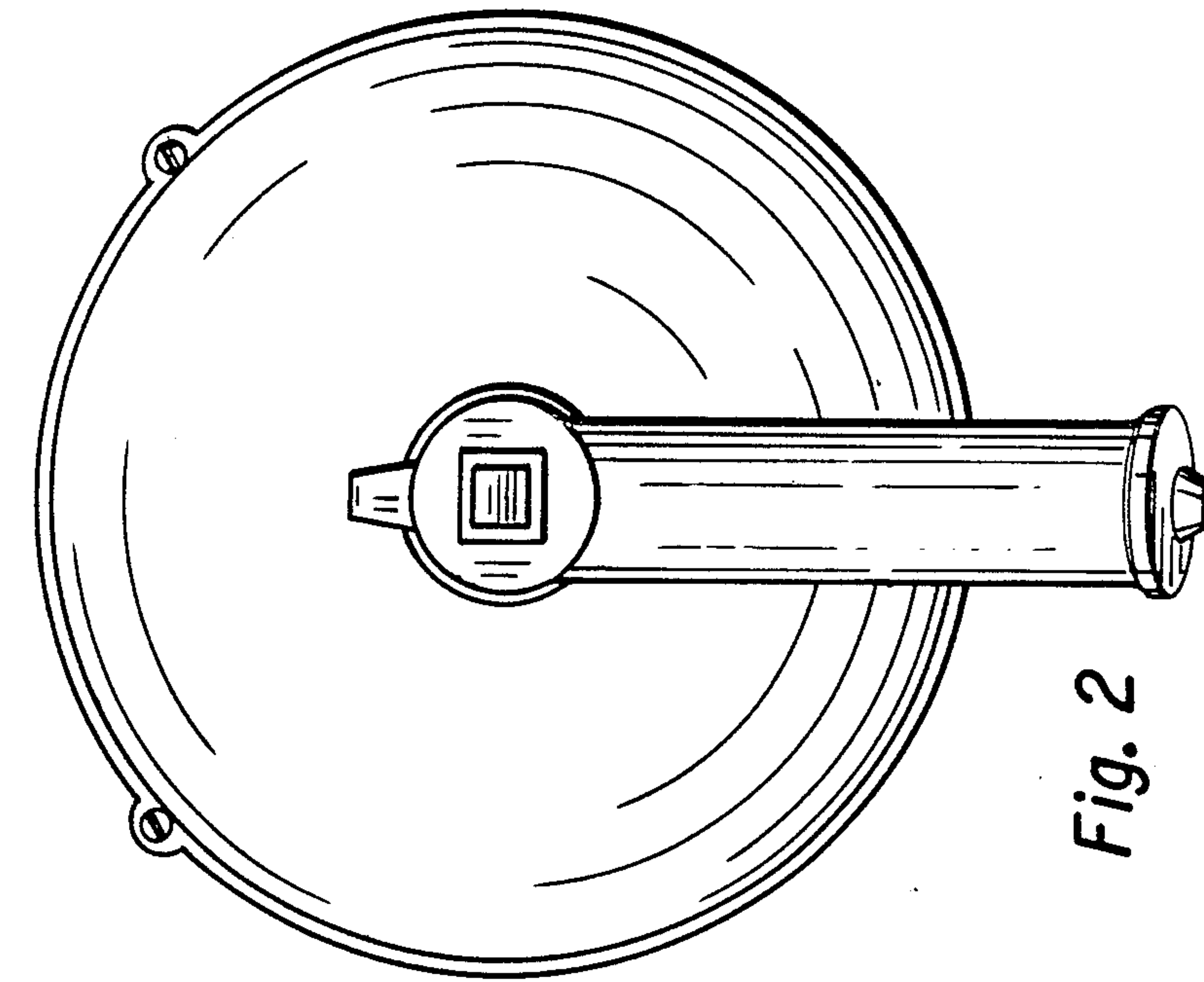


Fig. 2

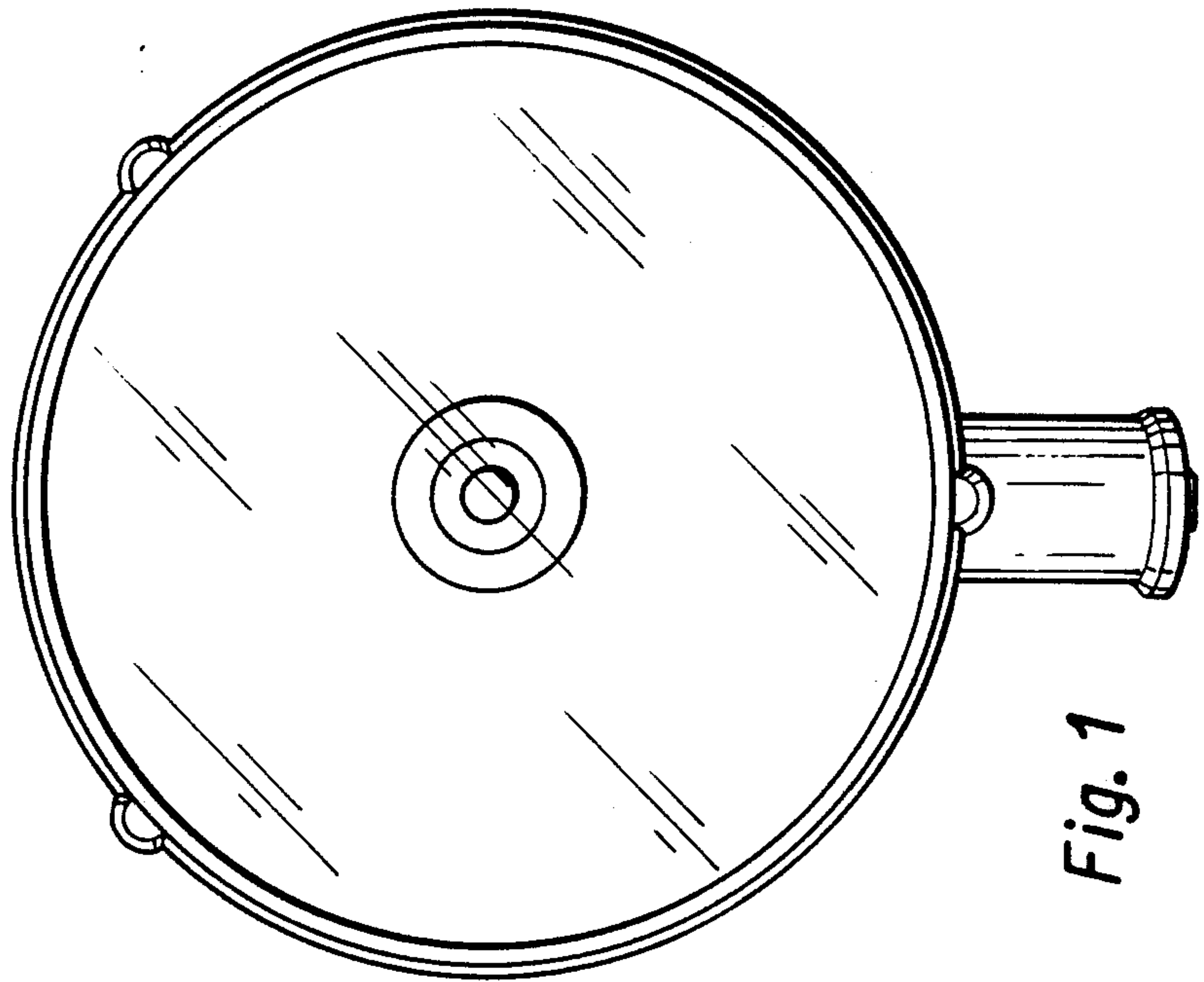
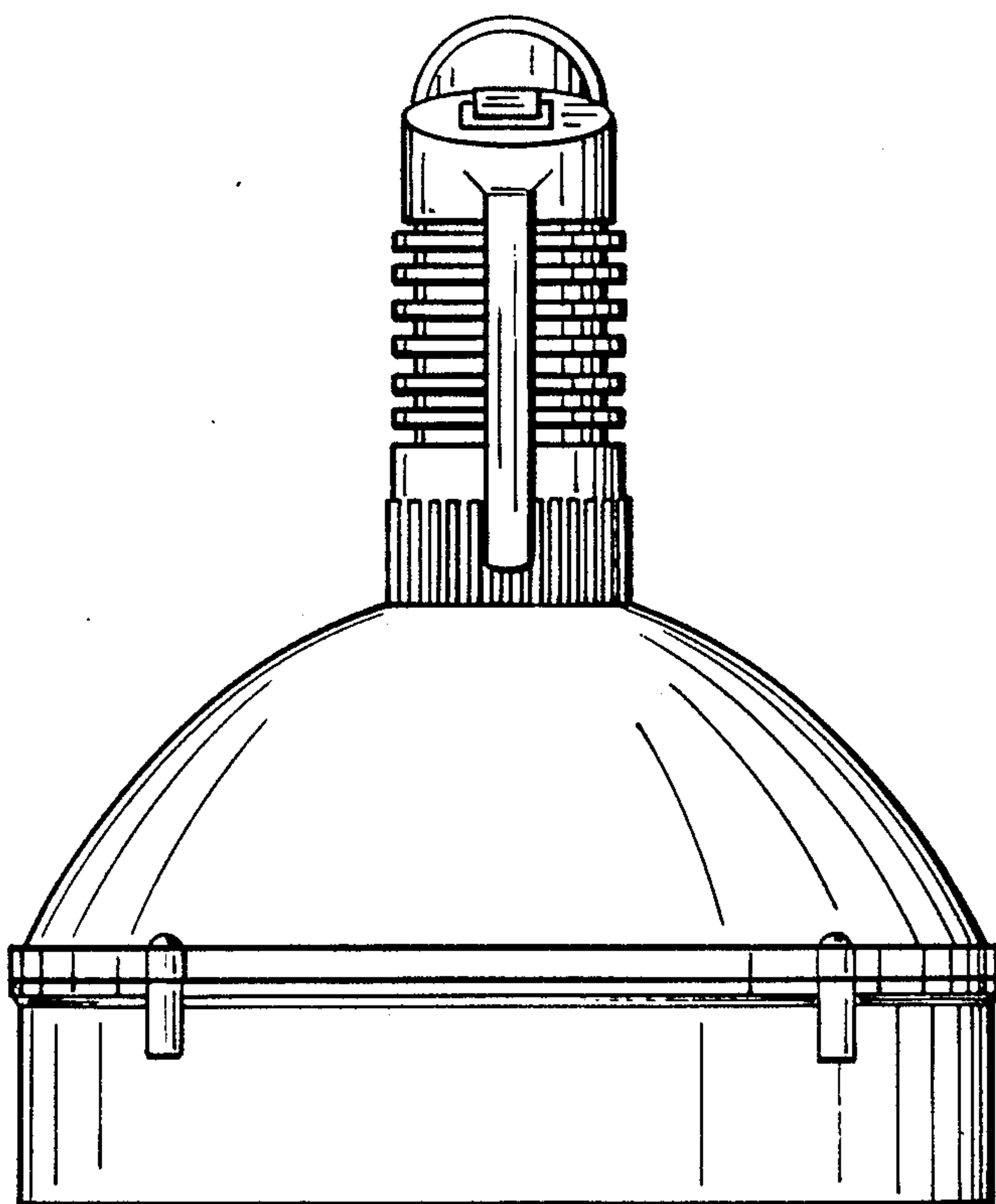
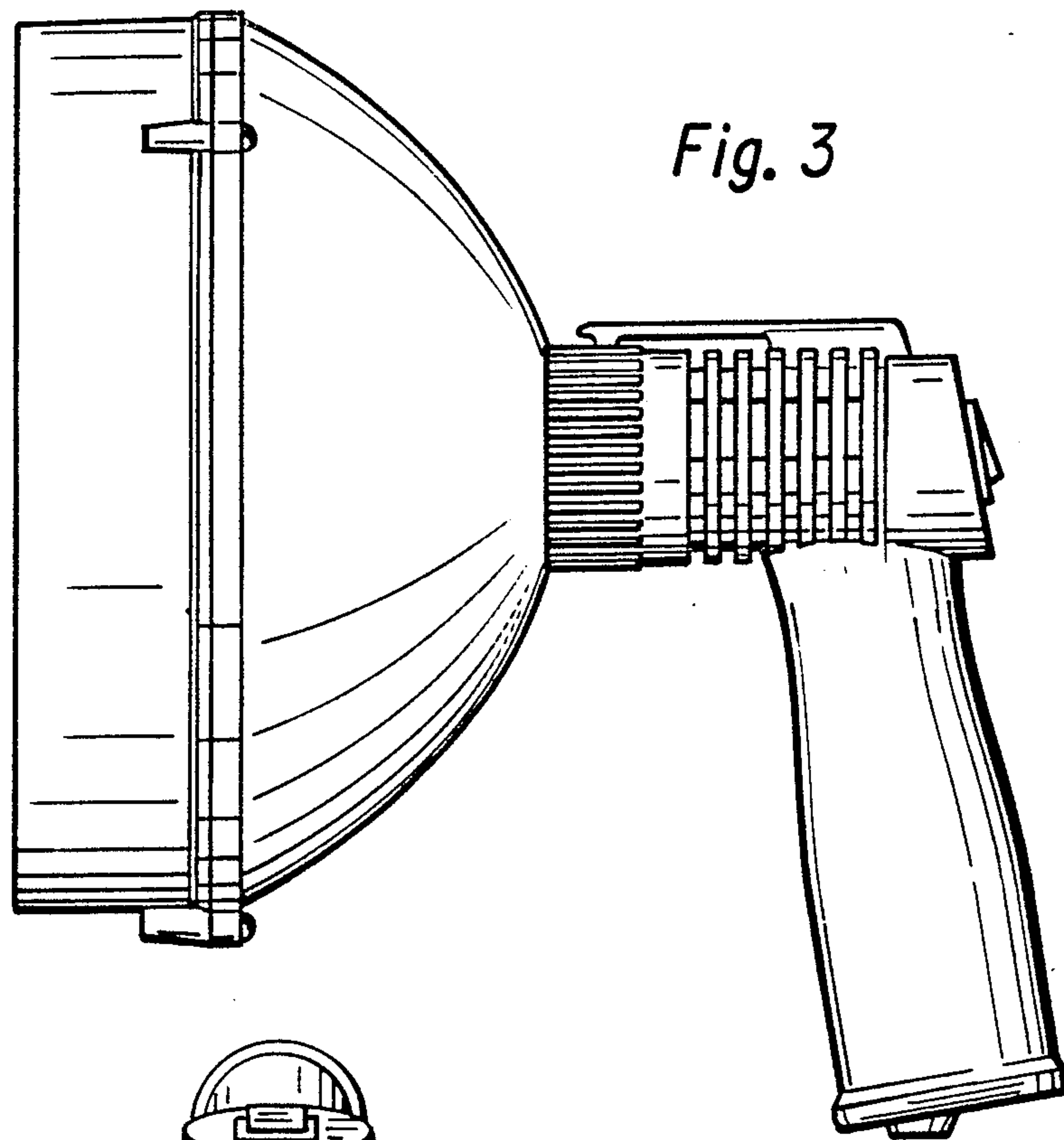


Fig. 1



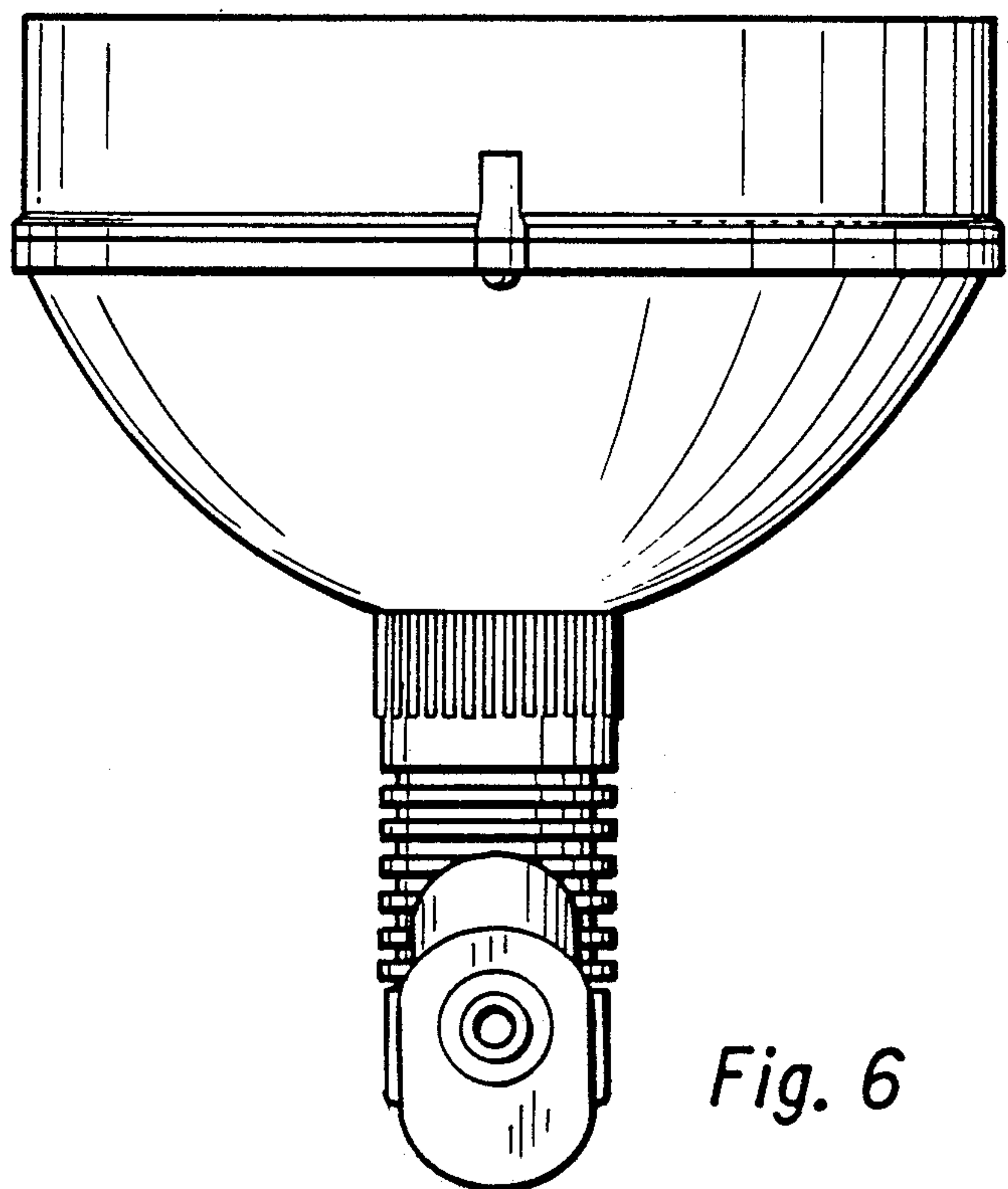
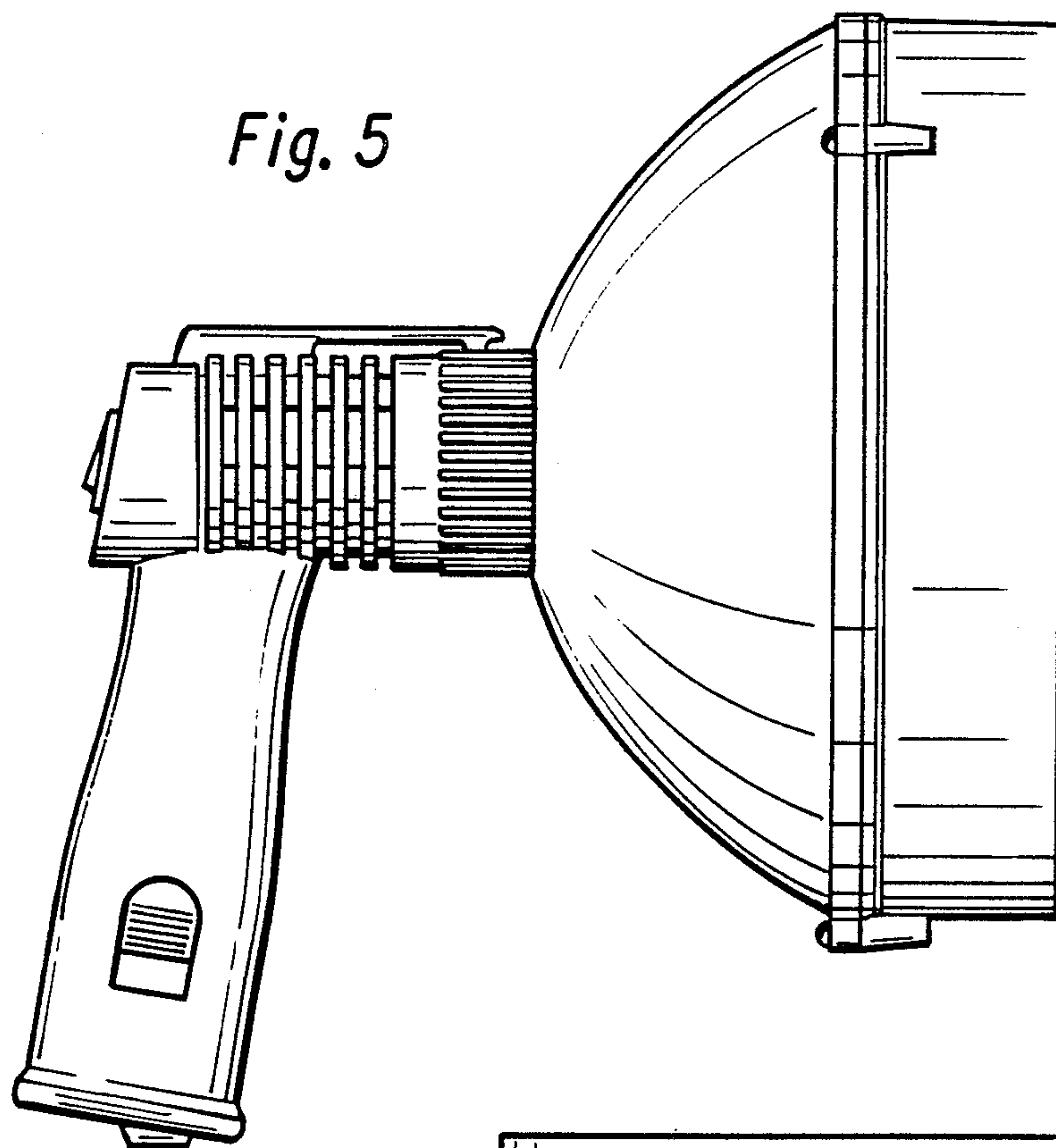


Fig. 6