

[54] COMBINED MEDICINAL CONTAINER AND DISPENSER

[75] Inventor: Milton J. Lax, Fort Myers Beach, Fla.

[73] Assignee: Milrob Corporation, Aurora, Ohio

[**] Term: 14 Years

[21] Appl. No.: 5,734

[22] Filed: Jan. 21, 1987

[52] U.S. Cl. D24/34; D3/30.1; D24/56

[58] Field of Search 206/537, 538; D24/34, D24/56; D3/30.1; D19/35, 41, 43, 49, 50, 51, 55

[56] References Cited

U.S. PATENT DOCUMENTS

D. 20,156	9/1890	Boman	D19/49
D. 137,496	3/1944	Lustig	206/537 X
D. 263,622	3/1982	Hasson	D24/34
D. 267,655	1/1983	Verona	D19/51
D. 267,984	2/1983	Ballereaud	D19/51 X
D. 273,397	4/1984	Hechter	D19/49

D. 289,425	4/1987	Thévenot	D19/49
D. 303,990	10/1989	Petterson	D19/41 X
2,759,598	8/1956	Tregilgas	206/537
2,935,186	5/1960	Clark	D24/34 X
3,968,902	7/1976	Bachmann	206/537 X
4,054,208	10/1977	Lowe	206/537
4,440,161	4/1984	Wadhwa	D24/34 X

OTHER PUBLICATIONS

Fahrney's Catalog of Fine Writing Instruments, p. 21 Item #D66475.

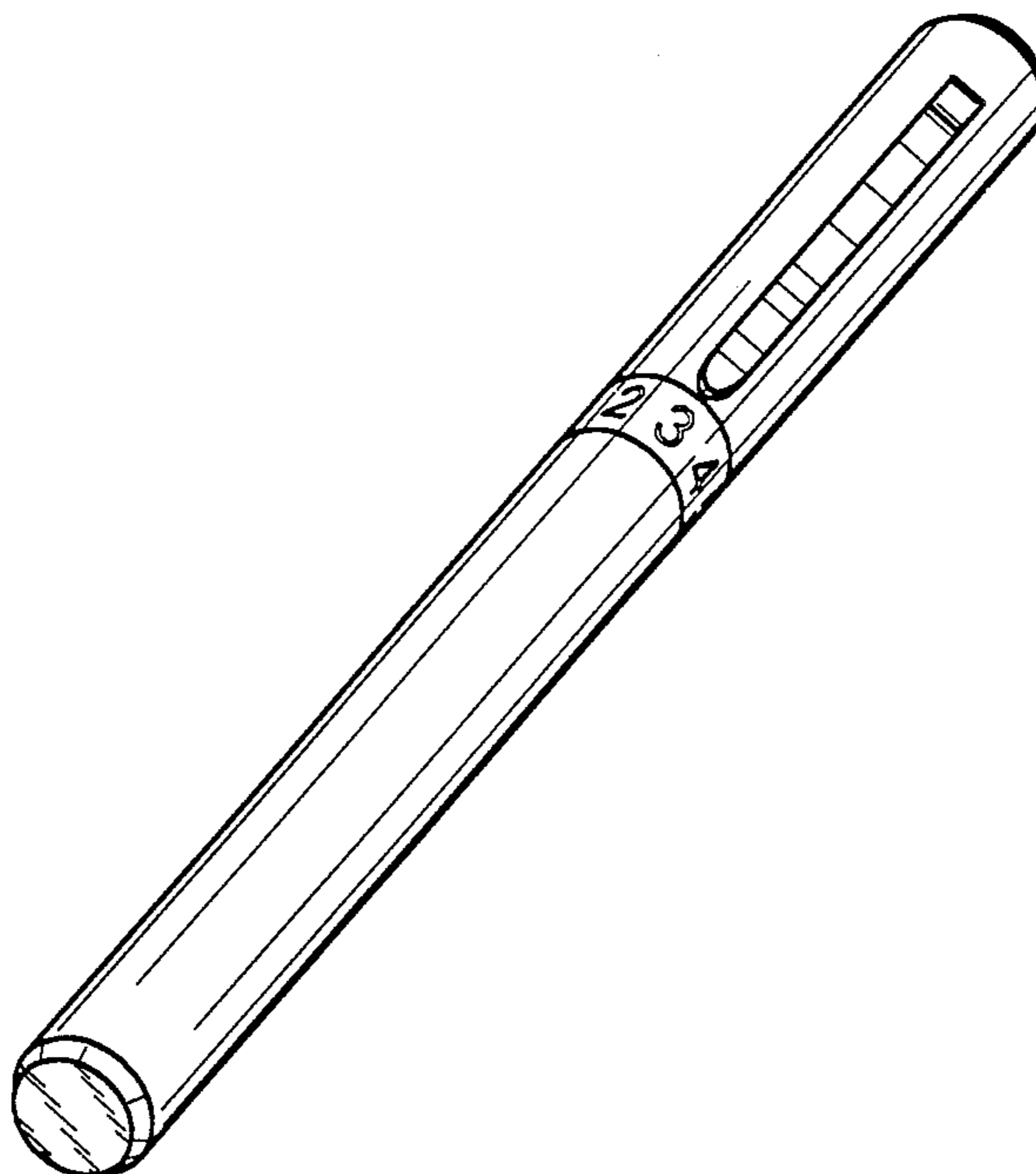
Primary Examiner—James R. Largen
Attorney, Agent, or Firm—Watts, Hoffmann; Fisher & Heinke Co.

[57] CLAIM

The ornamental design for a combined medicinal container and dispenser, as shown and described.

DESCRIPTION

FIG. 1 is a front elevational view of a combined medicinal container and dispenser showing my new design; FIG. 2 is a side elevational view thereof; FIG. 3 is a bottom perspective view thereof; and FIG. 4 is a top perspective view thereof with the cap removed.



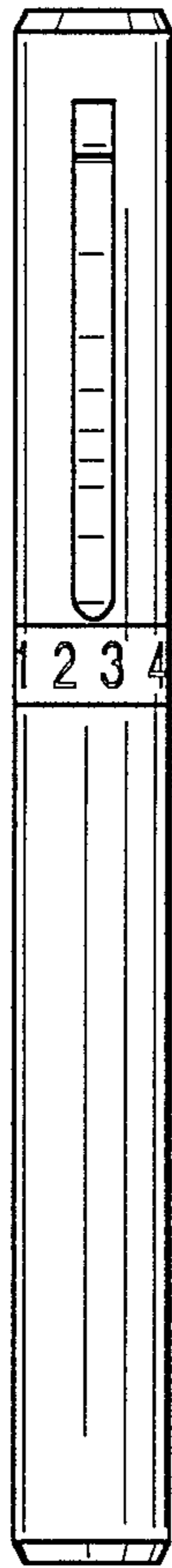


Fig.1

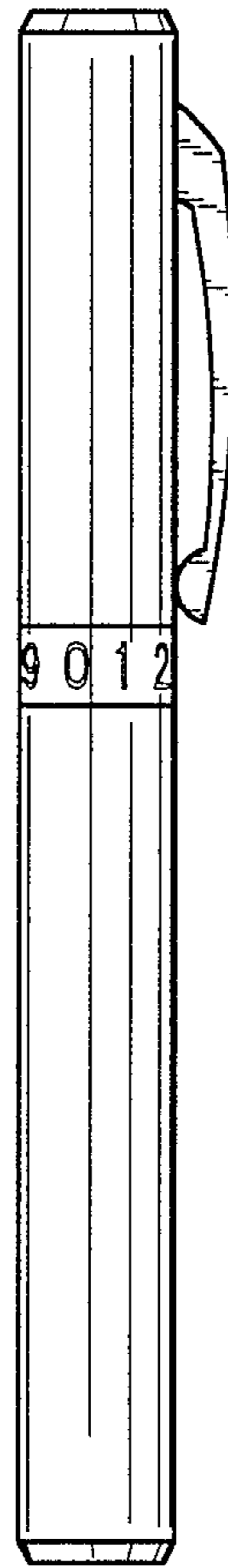


Fig.2

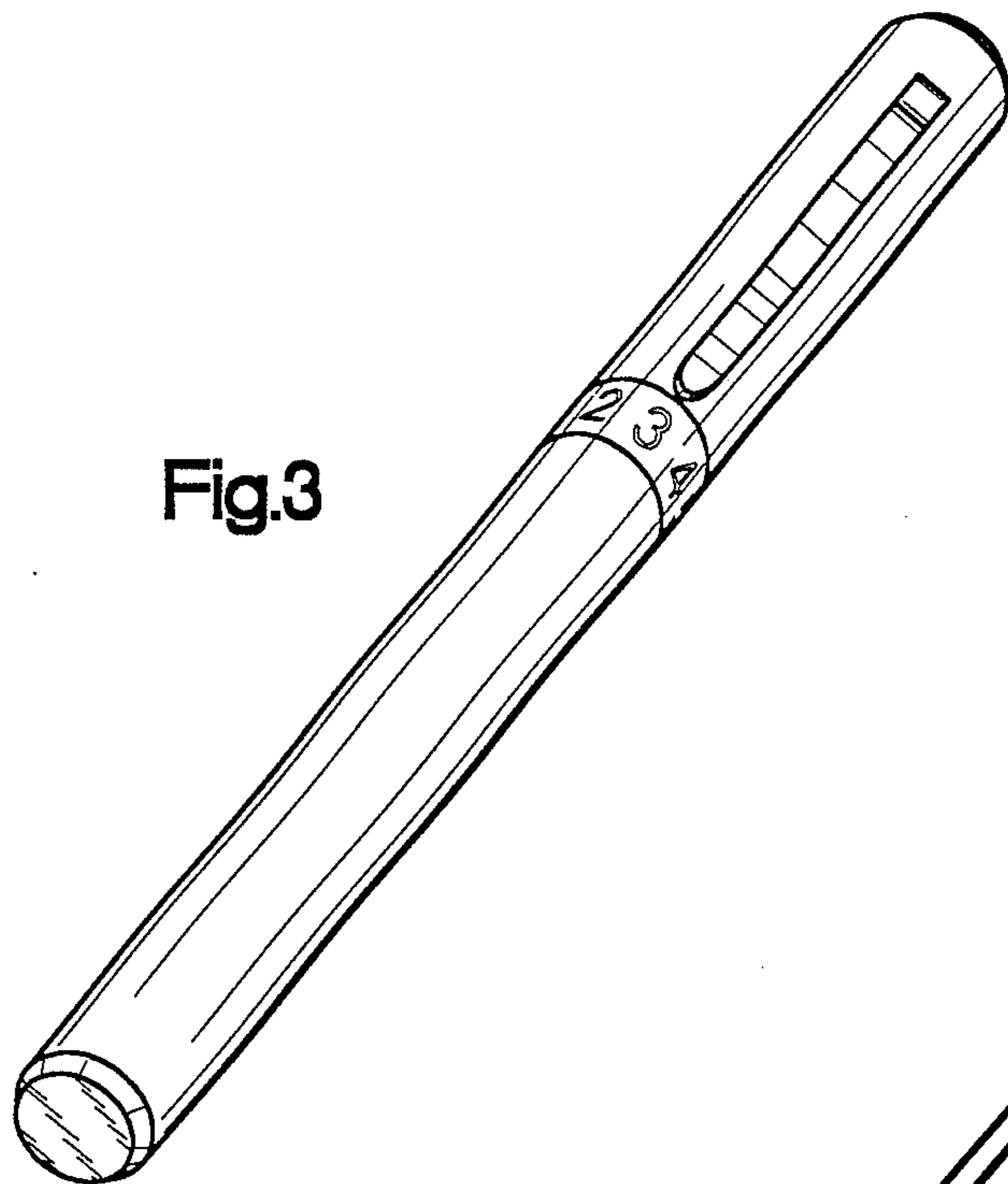


Fig.3

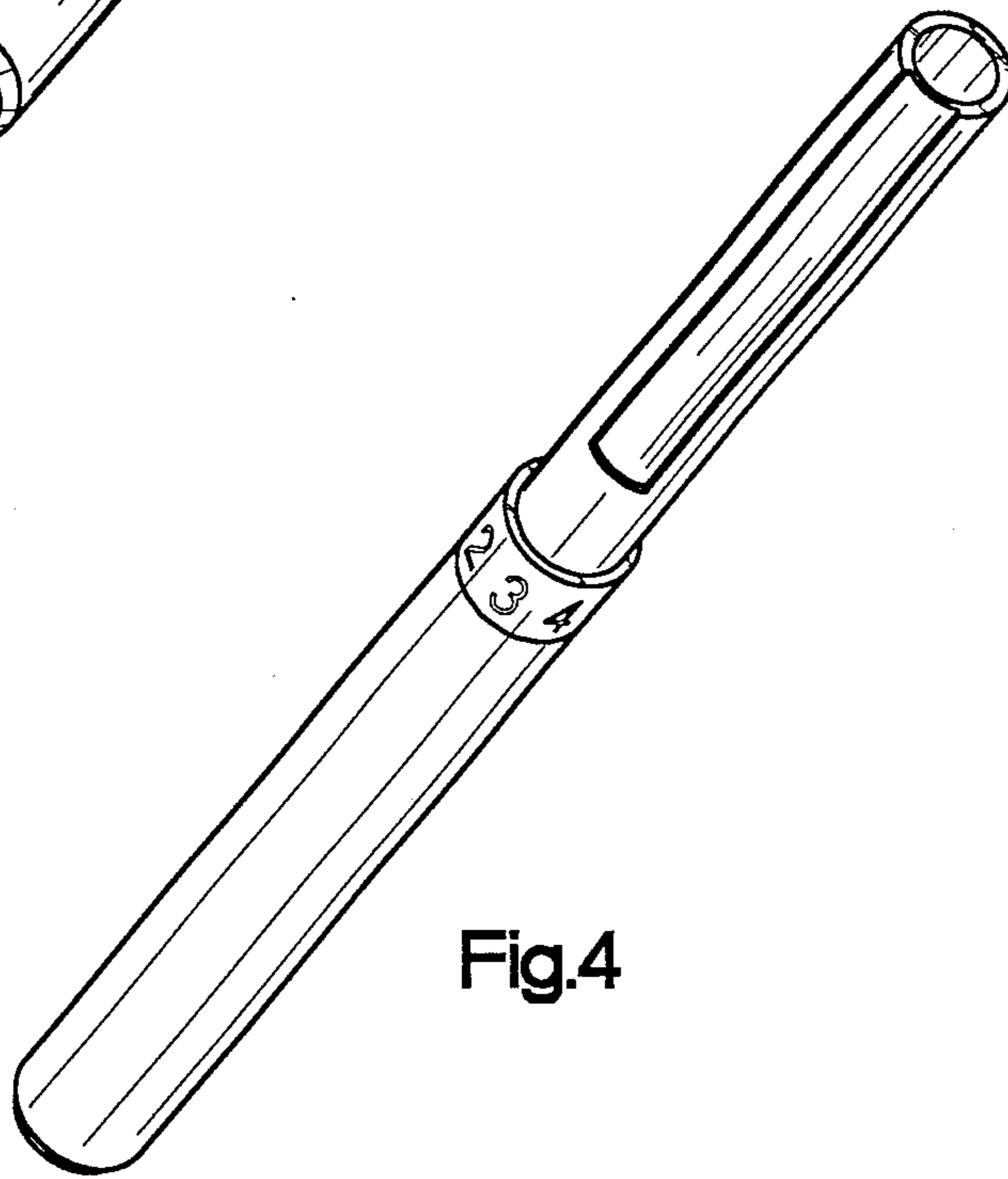


Fig.4