

[54] **ELECTRIC FAN**

[75] **Inventor: Chi-Wing Yang, Hong Kong, Hong Kong**

[73] **Assignee: N.E. National Battery Factory (H.K.) Ltd., Kowloon, Hong Kong**

[**] **Term: 14 Years**

[21] **Appl. No.: 292,608**

[22] **Filed: Dec. 30, 1988**

[52] **U.S. Cl. D23/378; D23/382**

[58] **Field of Search D23/378, 381, 380, 382, D23/377, 370; 416/246, 247 R, 244 R; 415/60, 61, 62, 66**

[56] **References Cited**

U.S. PATENT DOCUMENTS

D. 70,930	8/1926	Xippas	D23/377
D. 218,429	8/1970	Yotsukura	D23/382
2,463,337	3/1949	Weber	416/247
3,421,428	1/1969	Baumann et al.	415/62
4,486,144	12/1984	Hung	D23/370

FOREIGN PATENT DOCUMENTS

352051	9/1937	Italy	416/246
188797	11/1982	Japan	416/247 R
93198	5/1985	Japan	416/247 R

OTHER PUBLICATIONS

Hardware Age, Mar. 1974, p. 26, Hitachi Fan (1), middle of page.

Diehl Fans Catalog, p. 4, Diehl Fan, Floor Model, right side of page, and p. 5, Floor Fans-2924, and 30 inch, left middle of page.

Primary Examiner—James M. Gandy
Assistant Examiner—Lisa Lichtenstein
Attorney, Agent, or Firm—Charles Berman

[57] **CLAIM**

The ornamental design for an electric fan, as shown and described.

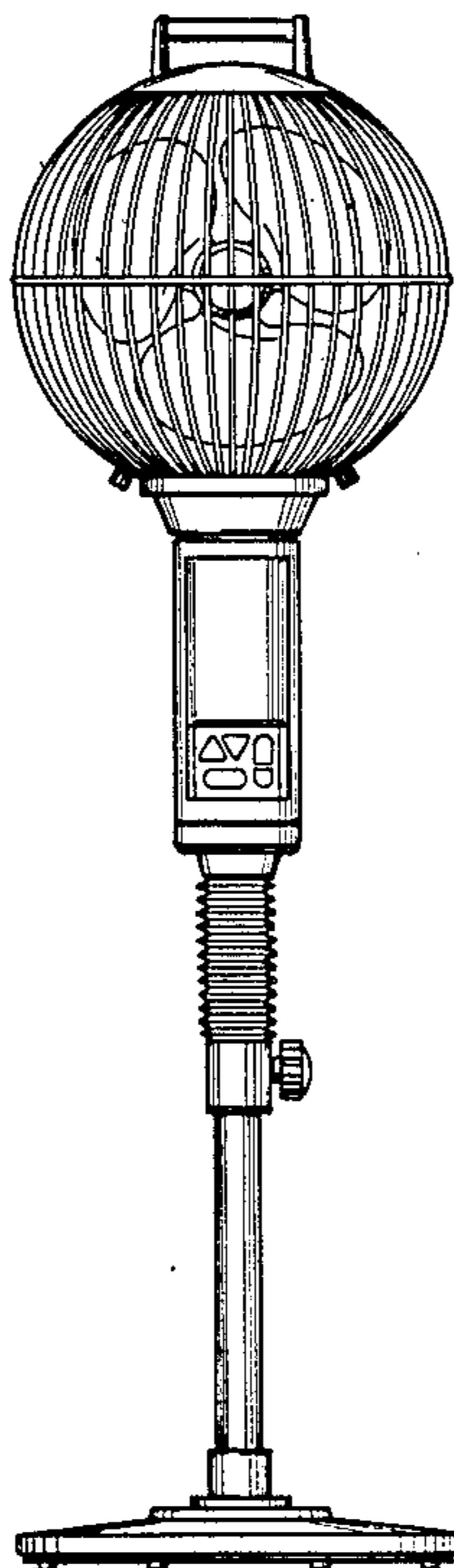
DESCRIPTION

FIG. 1 is a front elevation view of an electric fan, showing my new design;

FIG. 2 is a rear elevation view thereof;

FIG. 3 is a side elevation view thereof, the opposite side being substantially a mirror image of that shown, excluding the adjusting knob; and

FIG. 4 is a top plan view thereof.



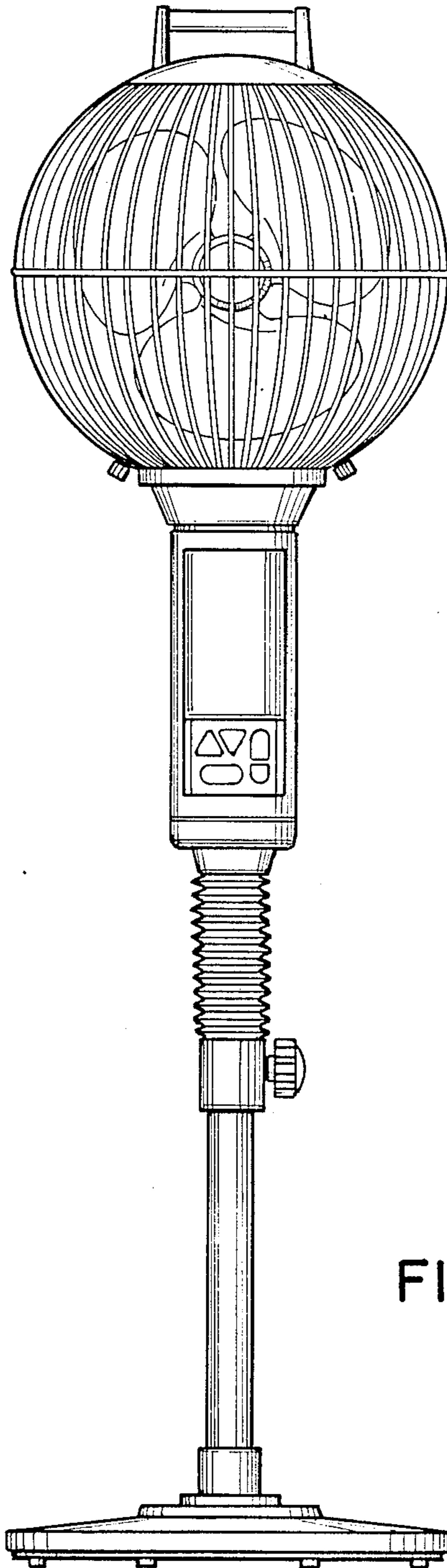


FIG. 1

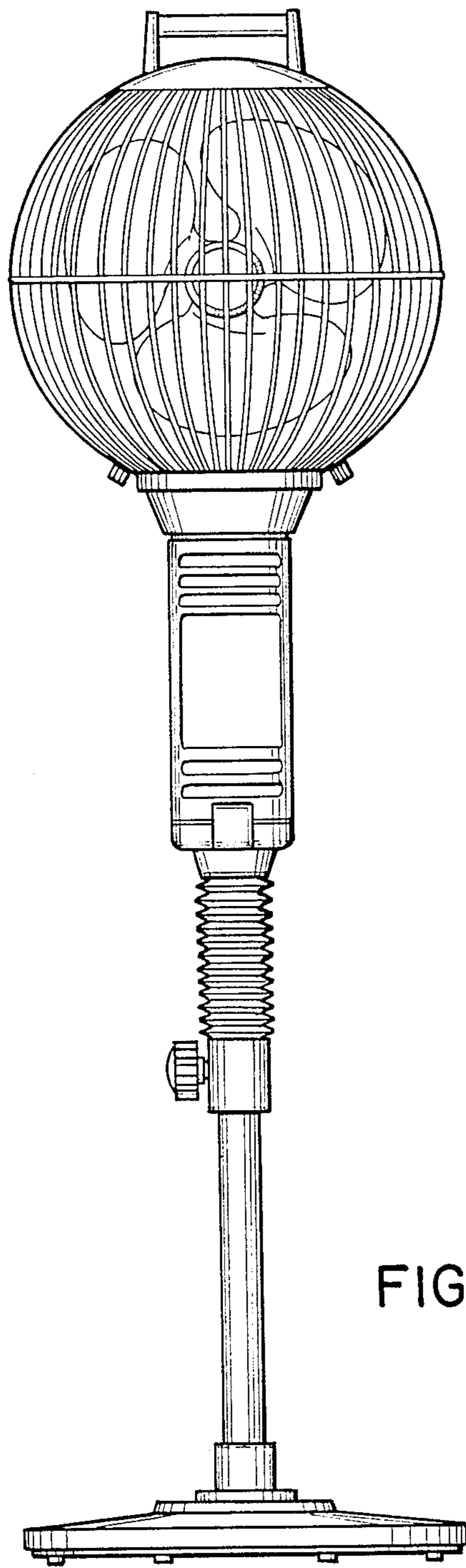


FIG. 2

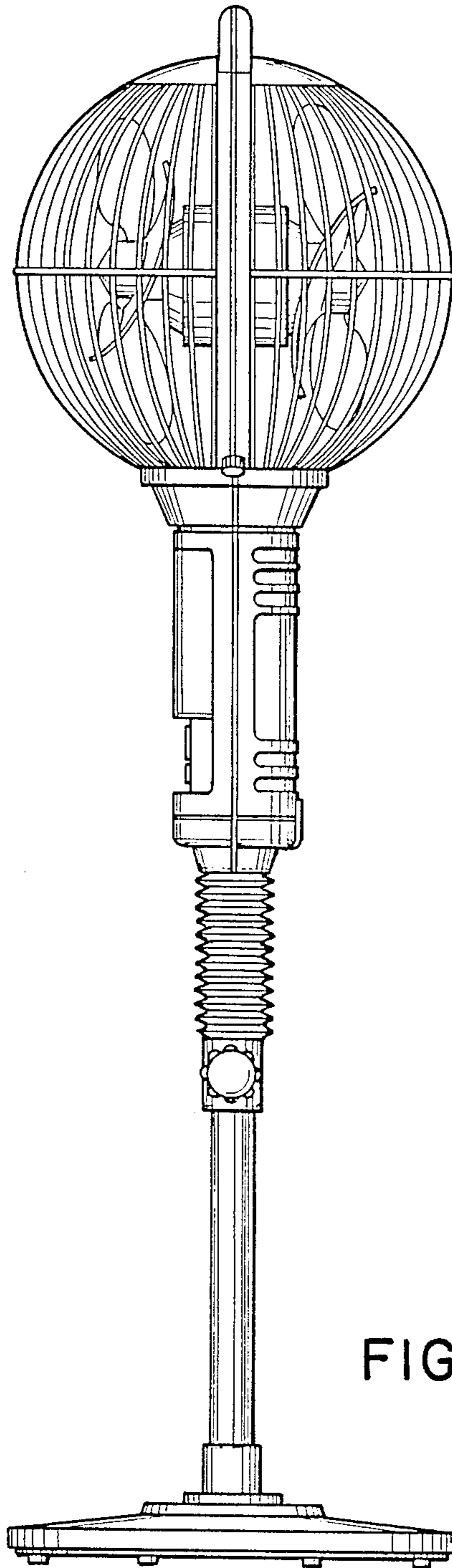


FIG. 3

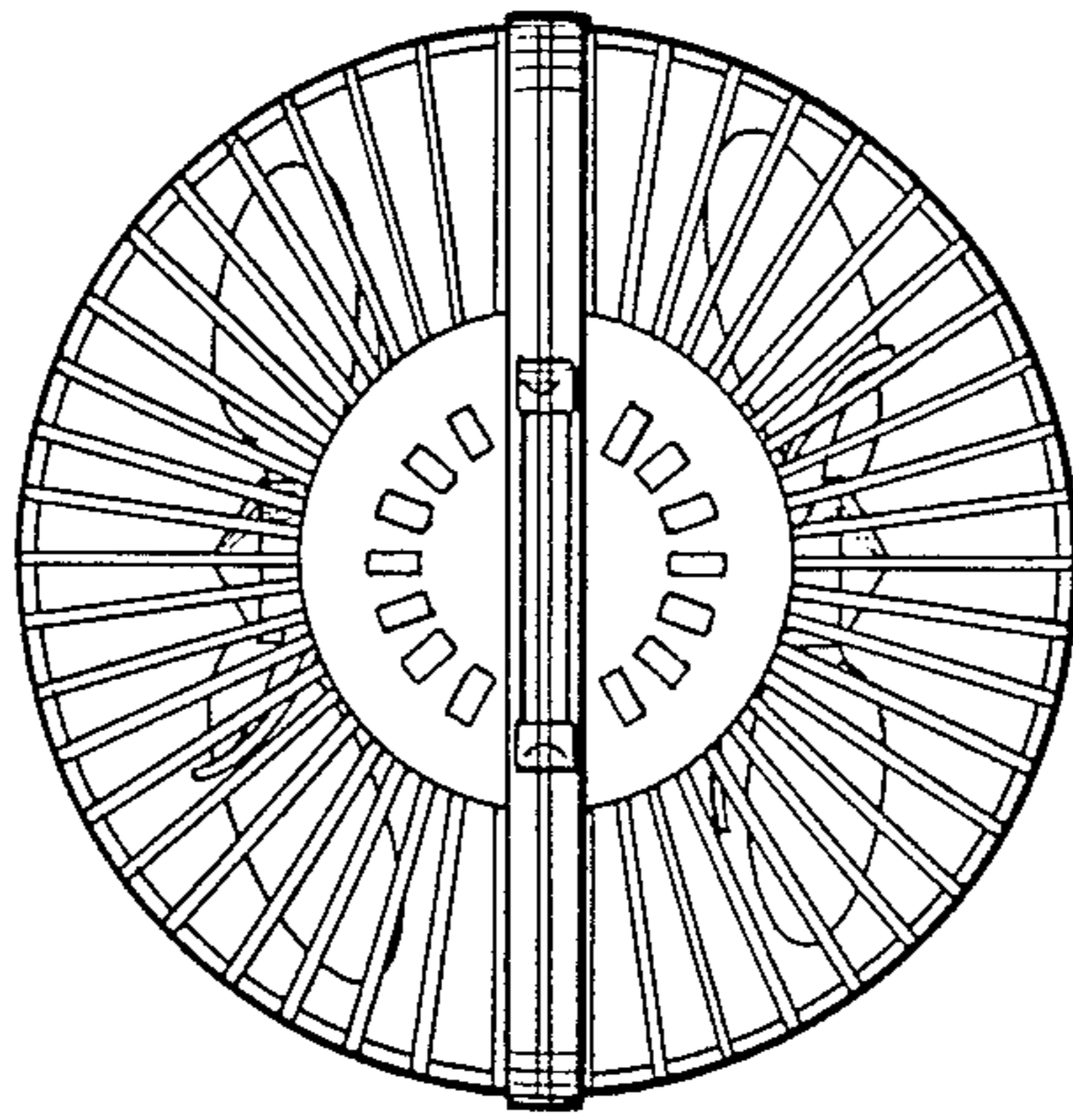


FIG. 4