

United States Patent [19]

Smith

[11] Patent Number: Des. 311,771

[45] Date of Patent: ** Oct. 30, 1990

[54] TOILET TANK TOP

[76] Inventor: Clarence E. Smith, 1372 E. 107th St.,
Los Angeles, Calif. 90002

[**] Term: 14 Years

[21] Appl. No.: 152,564

[22] Filed: Feb. 5, 1988

[52] U.S. Cl. D23/313; D10/2;
D14/171

[58] Field of Search D23/313; D14/126, 168,
D14/170, 171; D10/2; 4/353

[56] References Cited

U.S. PATENT DOCUMENTS

D. 99,439 4/1936 Lauber D23/313
D. 116,093 8/1939 Van Schuek D14/168
D. 159,700 8/1950 Viani D14/170

D. 270,936 10/1983 Everson D23/313 X
D. 295,042 4/1988 Steventon et al. D14/126
1,861,802 6/1932 Kelly D23/313 X
2,099,932 11/1937 Isaacson 4/353
3,314,080 4/1967 Shilling, Jr. 4/353
4,174,589 11/1979 Daharsh 4/300 X
4,319,367 3/1982 Cantillo 4/353
4,392,260 7/1983 Bensen 4/DIG. 3 X

Primary Examiner—James R. Largen

[57] CLAIM

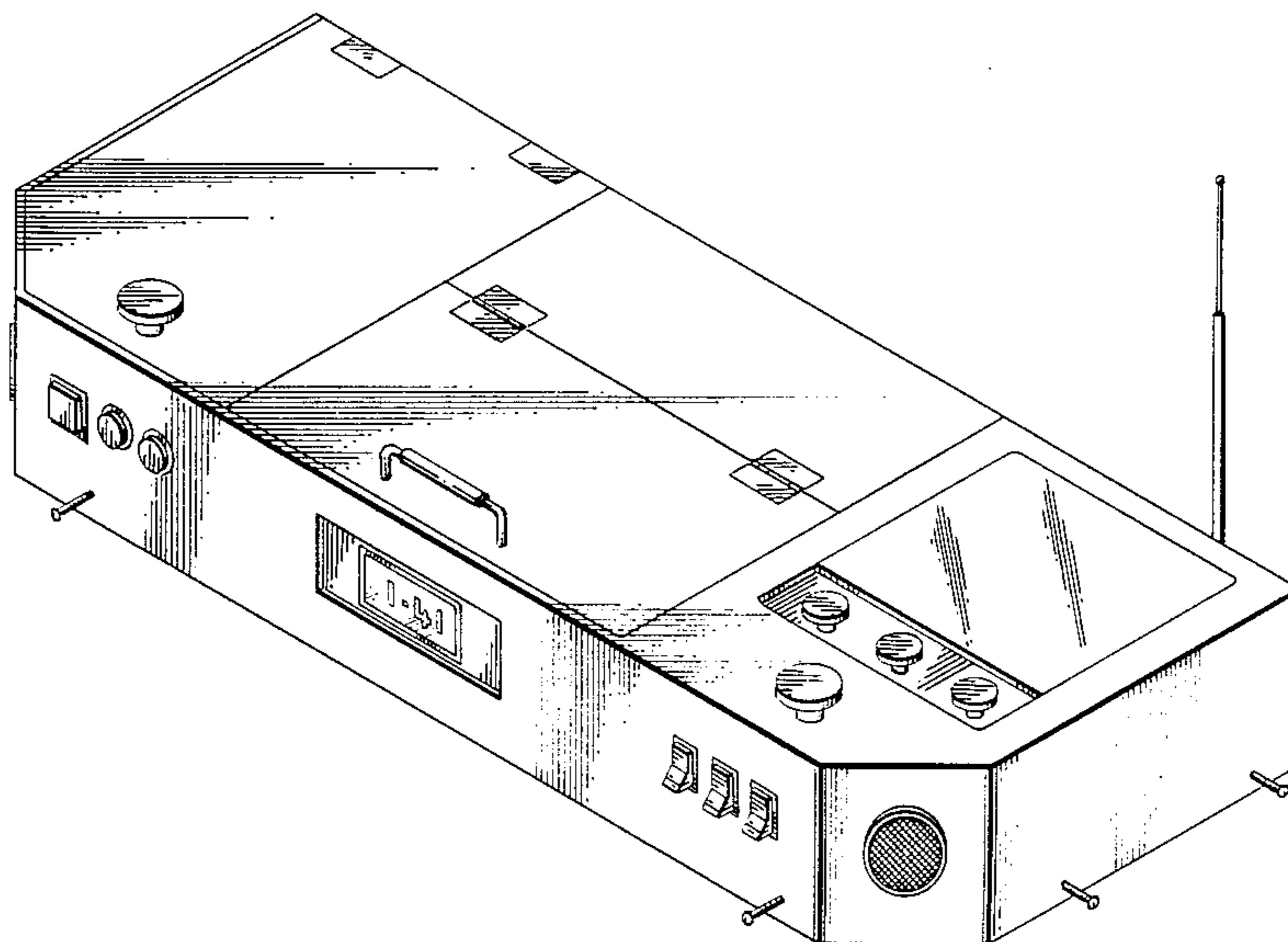
The ornamental design for a toilet tank top, as shown and described.

DESCRIPTION

FIG. 1 is a front, top, and right side perspective view of a toilet tank top showing my new design;

FIG. 2 is a bottom, rear, and left side perspective view thereof; and;

FIG. 3 is a left side elevational view thereof.



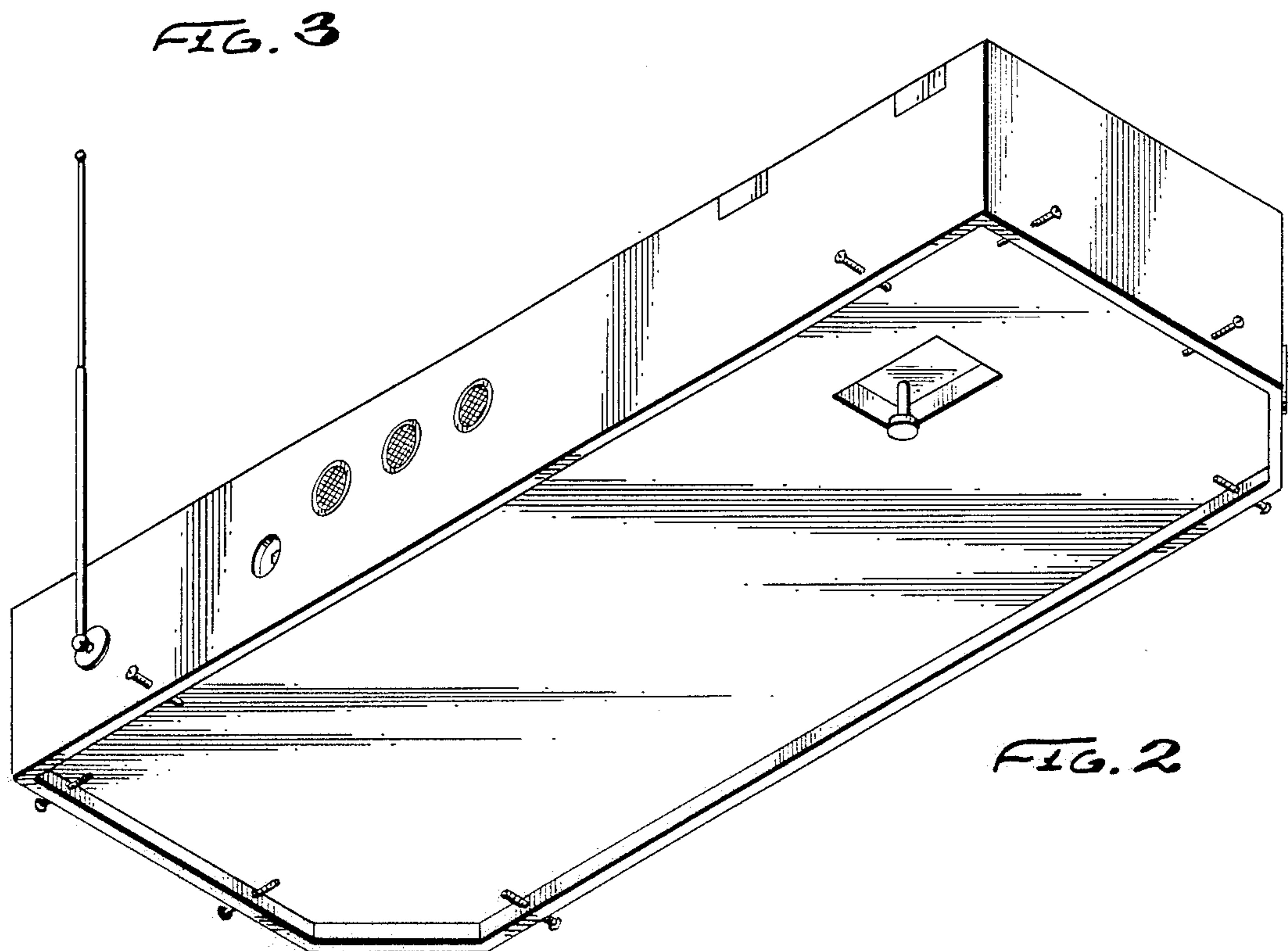
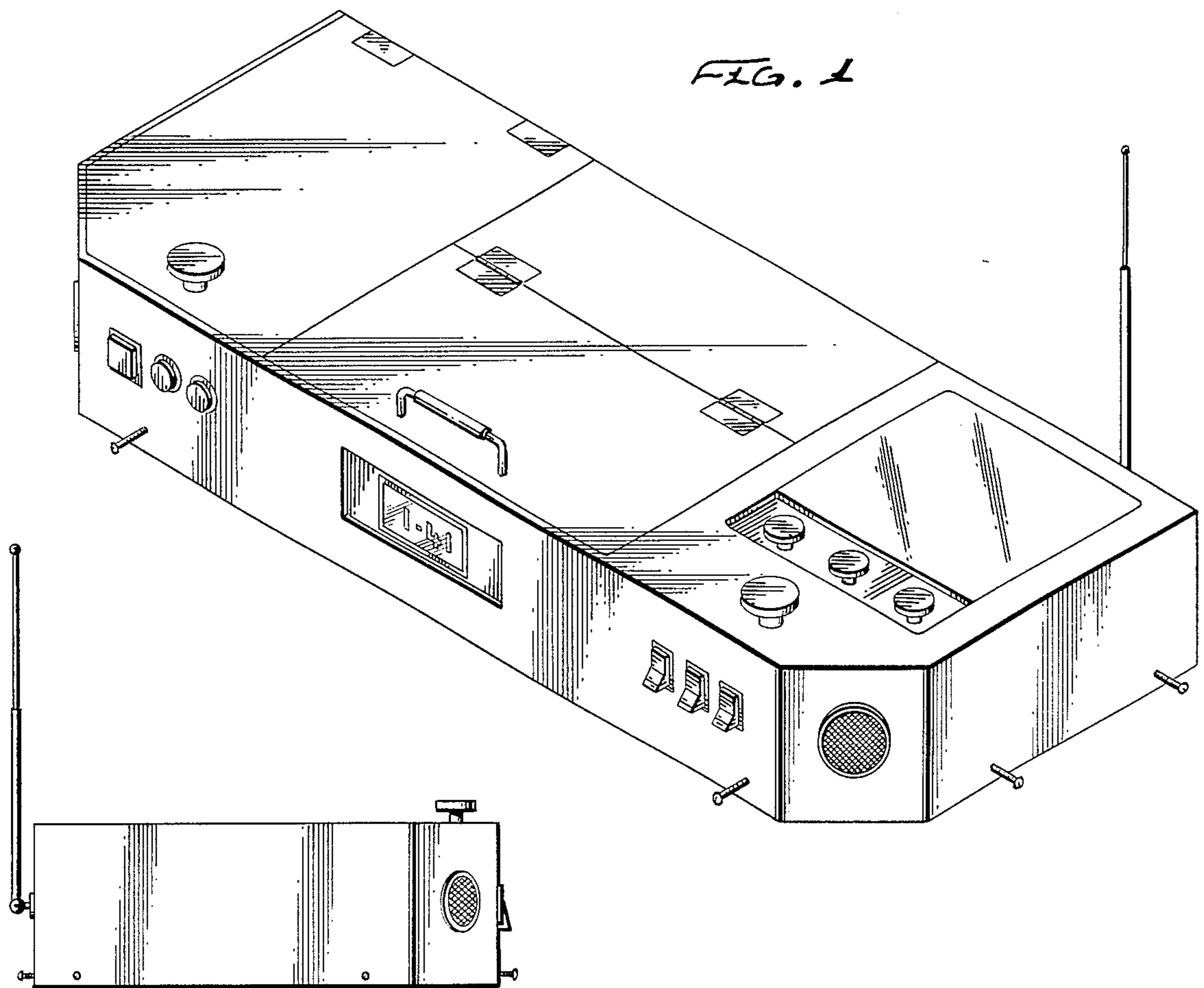


FIG. 3

FIG. 2