

[54] WATER FILTER VALVE

[75] Inventor: Keith F. Woodruff, Mountainside, N.J.

[73] Assignee: American Cyanamid Company, Stamford, Conn.

[**] Term: 14 Years

[21] Appl. No.: 203,217

[22] Filed: Jun. 7, 1988

[52] U.S. Cl. D23/209

[58] Field of Search D23/200, 207, 208, 209, D23/210, 233, 238, 239, 233, 235, 249; 210/94, 136, 440, 446, 447, 448

2,748,802 6/1956 Hanson et al. 210/446 X

4,172,796 10/1979 Corder 210/282 X

4,686,037 8/1987 Lang 210/282 X

4,731,184 3/1988 Ostreicher 210/94 X

Primary Examiner—Susan J. Lucas
 Assistant Examiner—M. H. Tung
 Attorney, Agent, or Firm—Charles J. Fickey

[57] CLAIM

The ornamental design for a water filter valve, as shown and described.

DESCRIPTION

FIG. 1 is a top plan view of a water filter valve showing my new design;

FIG. 2 is a side elevational view thereof, as seen from the right of FIG. 1;

FIG. 3 is a front elevational view thereof;

FIG. 4 is a side elevational view thereof, as seen from the left of FIG. 1;

FIG. 5 is a bottom plan view thereof;

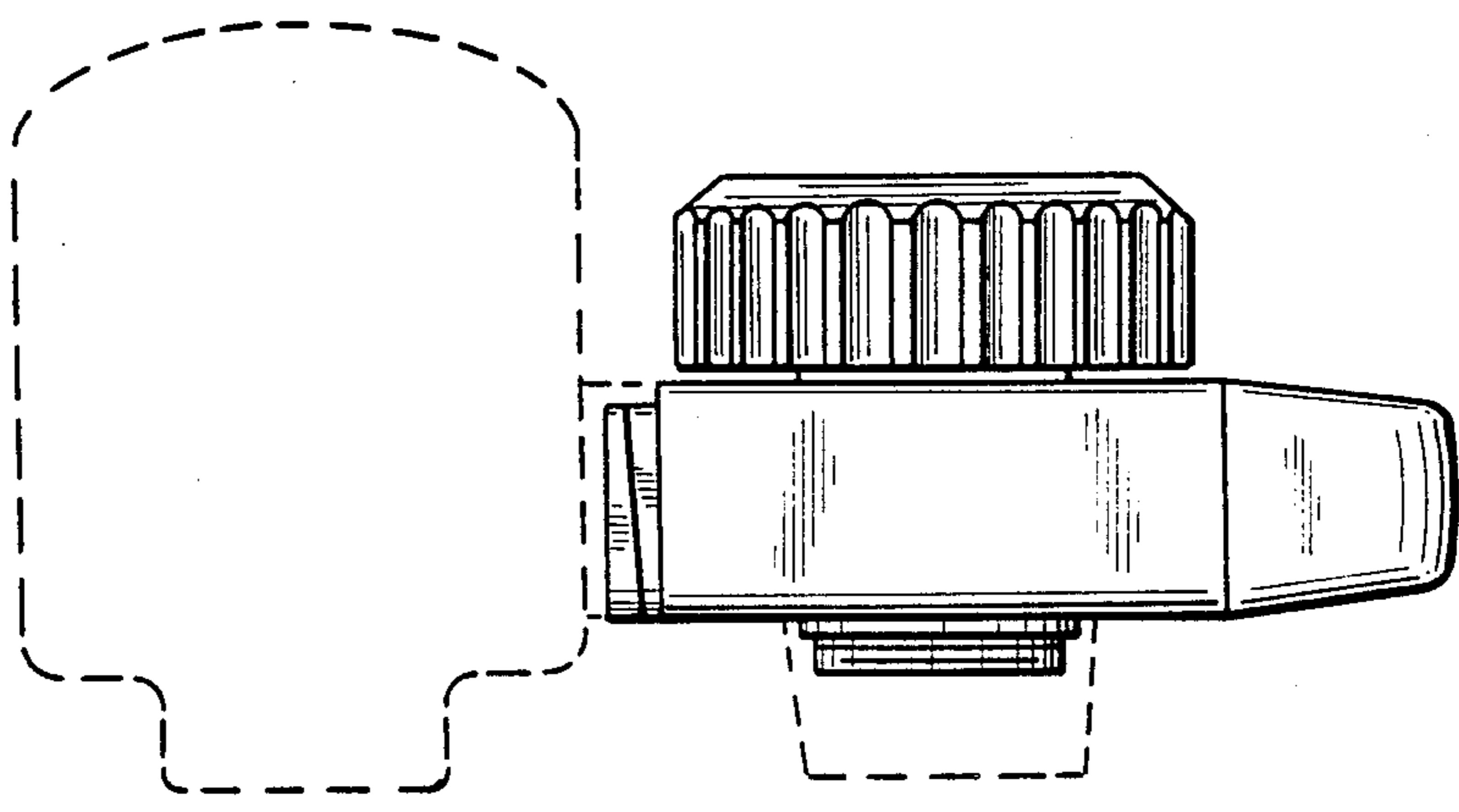
FIG. 6 is a rear elevational view thereof.

The broken lines are shown for illustrative purposes only and form no part of the claimed design.

[56] References Cited

U.S. PATENT DOCUMENTS

D. 139,909	1/1945	Gavaza	D23/209
D. 153,244	3/1949	Teague	D23/235
D. 242,249	11/1976	Corder	D23/209
D. 266,019	8/1982	Crossman	D23/235
D. 277,305	1/1985	Grube	D23/209
908,090	12/1908	Greer	210/292



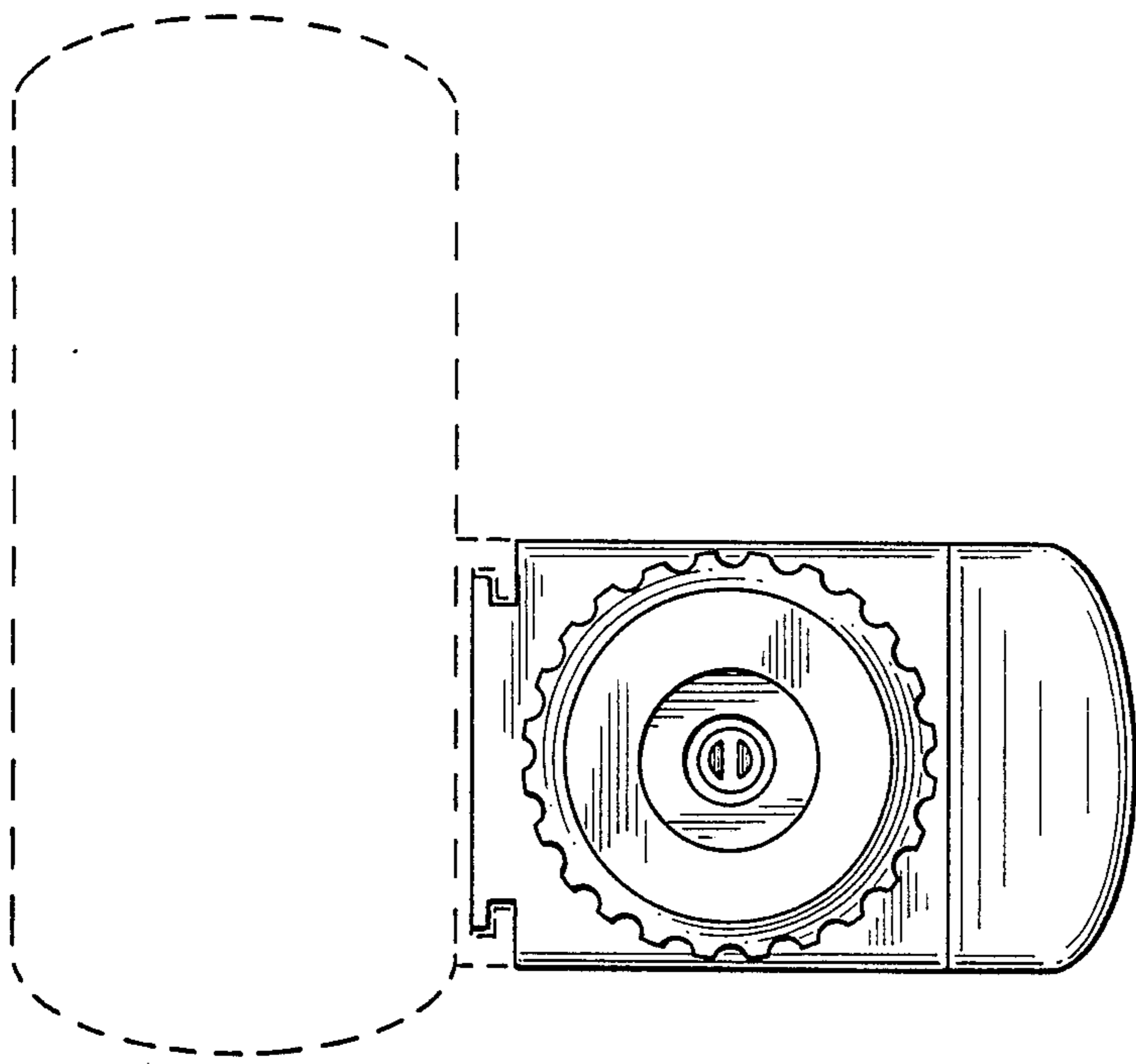


FIG. 1

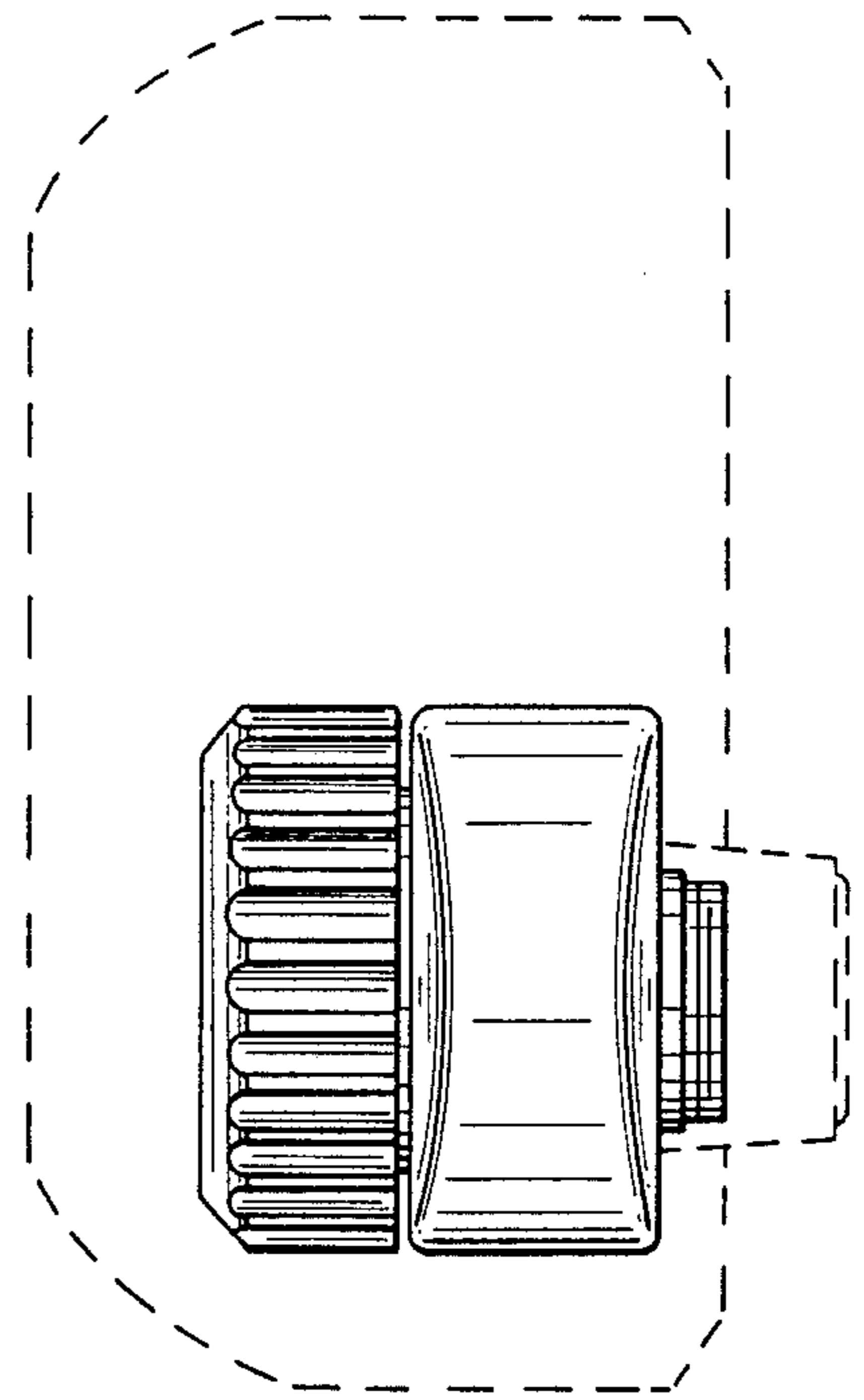


FIG. 2

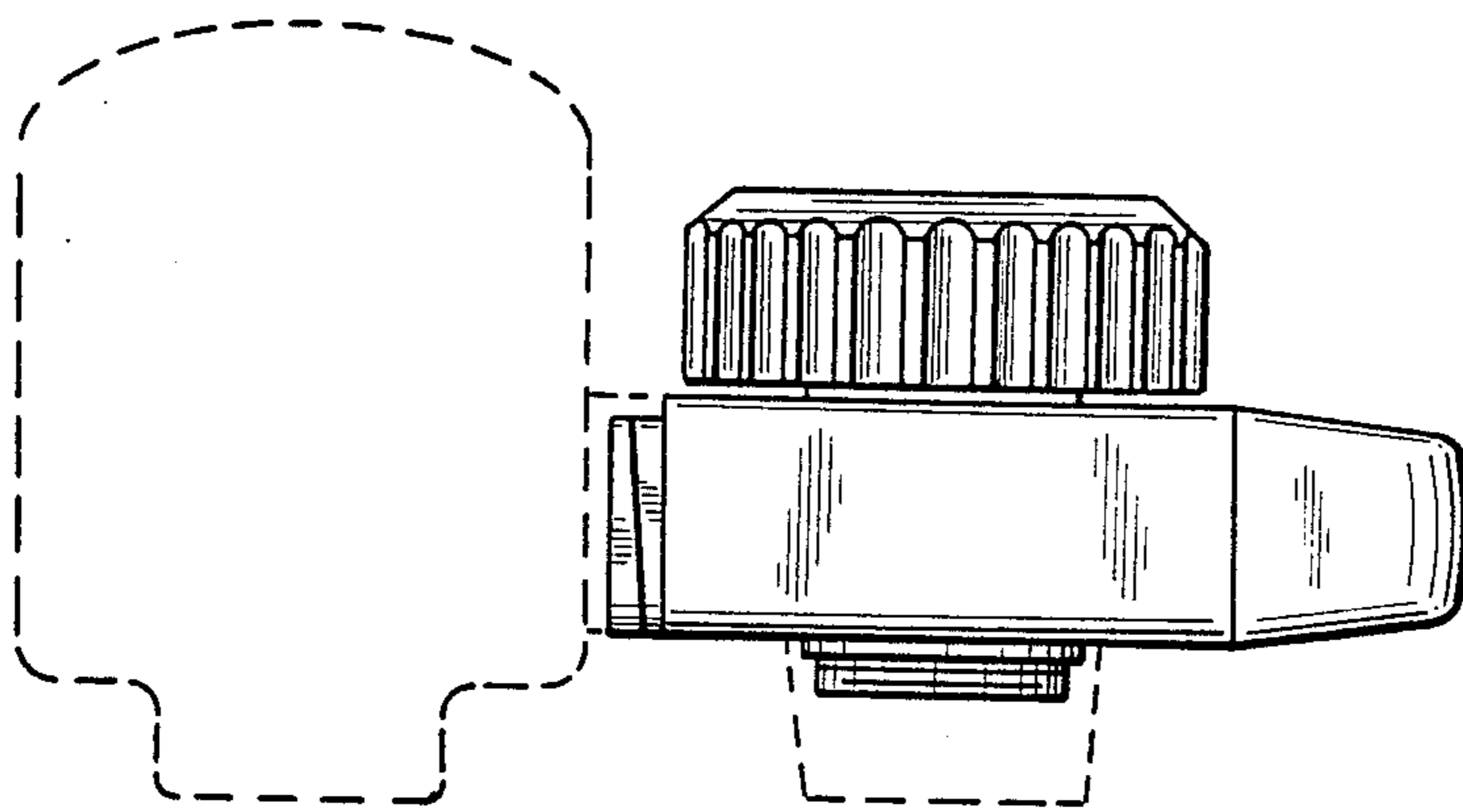


FIG. 3

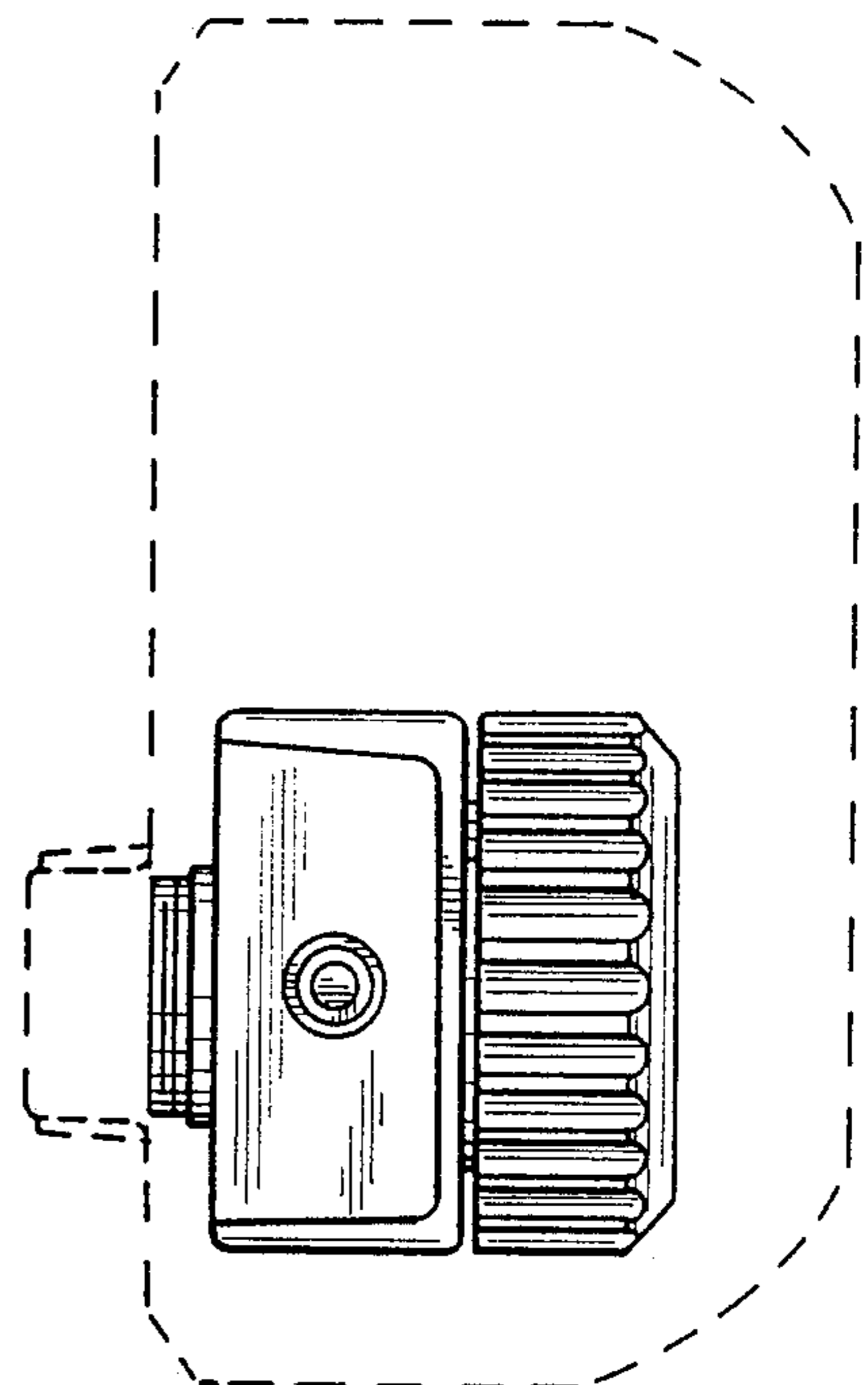


FIG. 4

FIG. 5

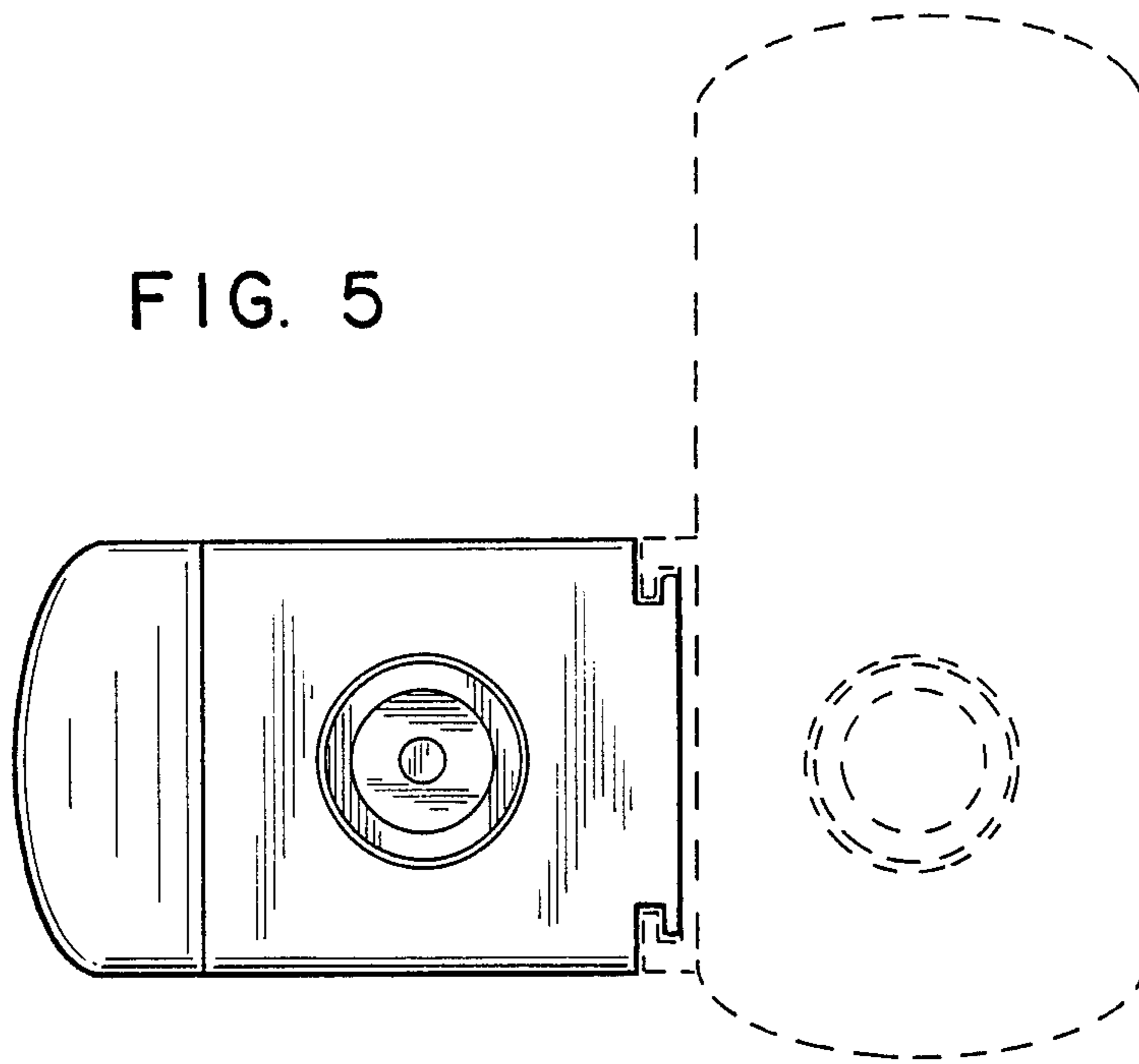


FIG. 6

