

United States Patent [19]

Peterson

[11] Patent Number: **Des. 311,765**

[45] Date of Patent: **** Oct. 30, 1990**

[54] **FISHING REEL**

[75] Inventor: **Robert J. Peterson, Claremore, Okla.**

[73] Assignee: **Swede Industries, Inc., Claremore, Okla.**

[**] Term: **14 Years**

[21] Appl. No.: **215,925**

[22] Filed: **Jul. 6, 1988**

[52] U.S. Cl. **D22/141**

[58] Field of Search **D22/140, 141;
242/234-239**

[56] **References Cited**

U.S. PATENT DOCUMENTS

D. 273,220 3/1984 Iinuma et al. D22/141

D. 273,886 5/1984 Fee et al. D22/141
D. 277,694 2/1985 Sakamoto et al. D22/141
3,190,578 6/1965 Kondo 242/234

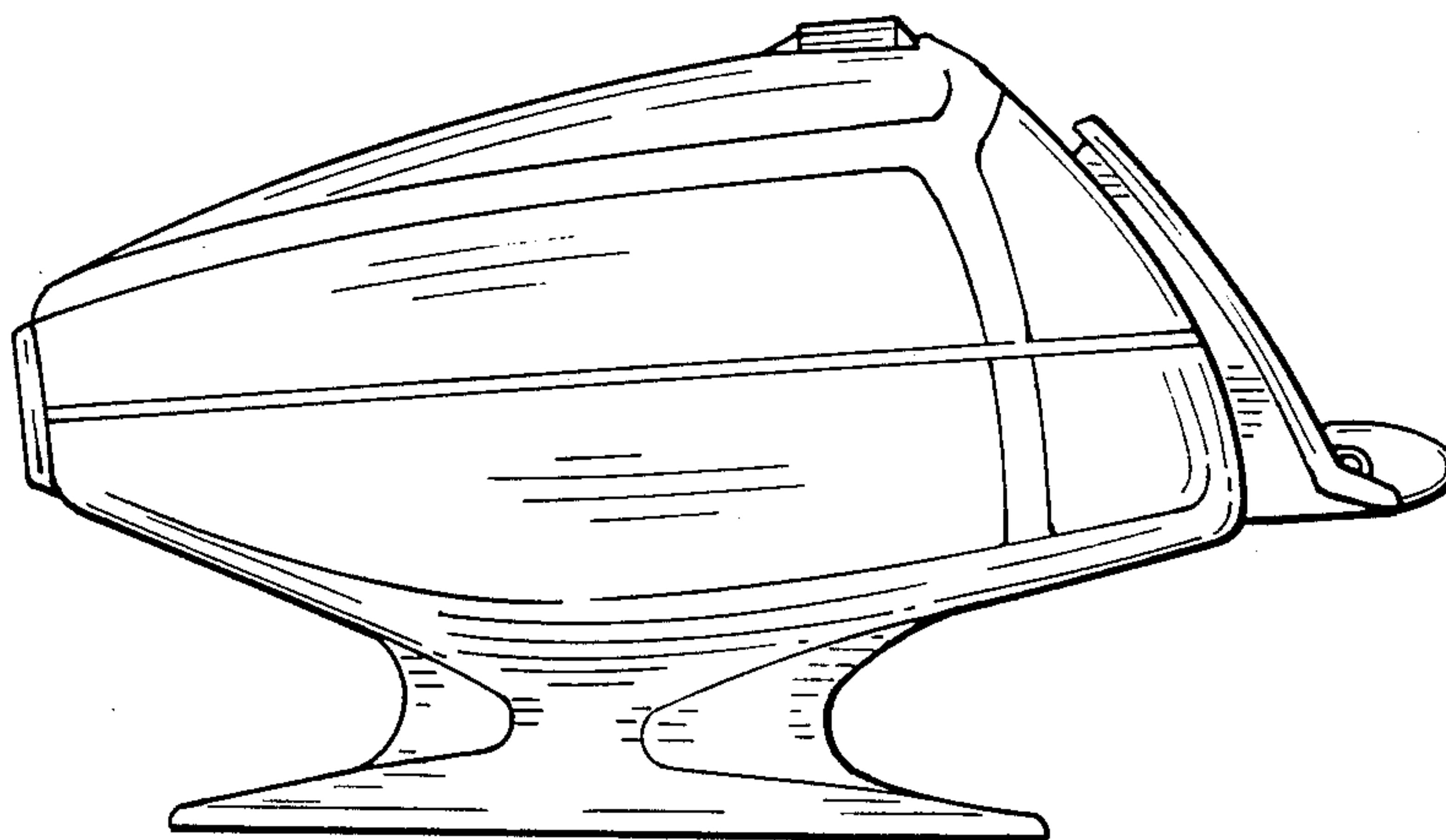
Primary Examiner—A Hugo Word
Assistant Examiner—Doris V. Coles
Attorney, Agent, or Firm—Head & Johnson

[57] **CLAIM**

The ornamental design for a fishing reel, as shown.

DESCRIPTION

FIG. 1 is a left side elevational view of a fishing reel, showing my new design;
FIG. 2 is a top plan view thereof;
FIG. 3 is a front elevational view thereof;
FIG. 4 is a rear elevational view thereof;
FIG. 5 is a bottom plan view thereof; and
FIG. 6 is a right side elevational view thereof.



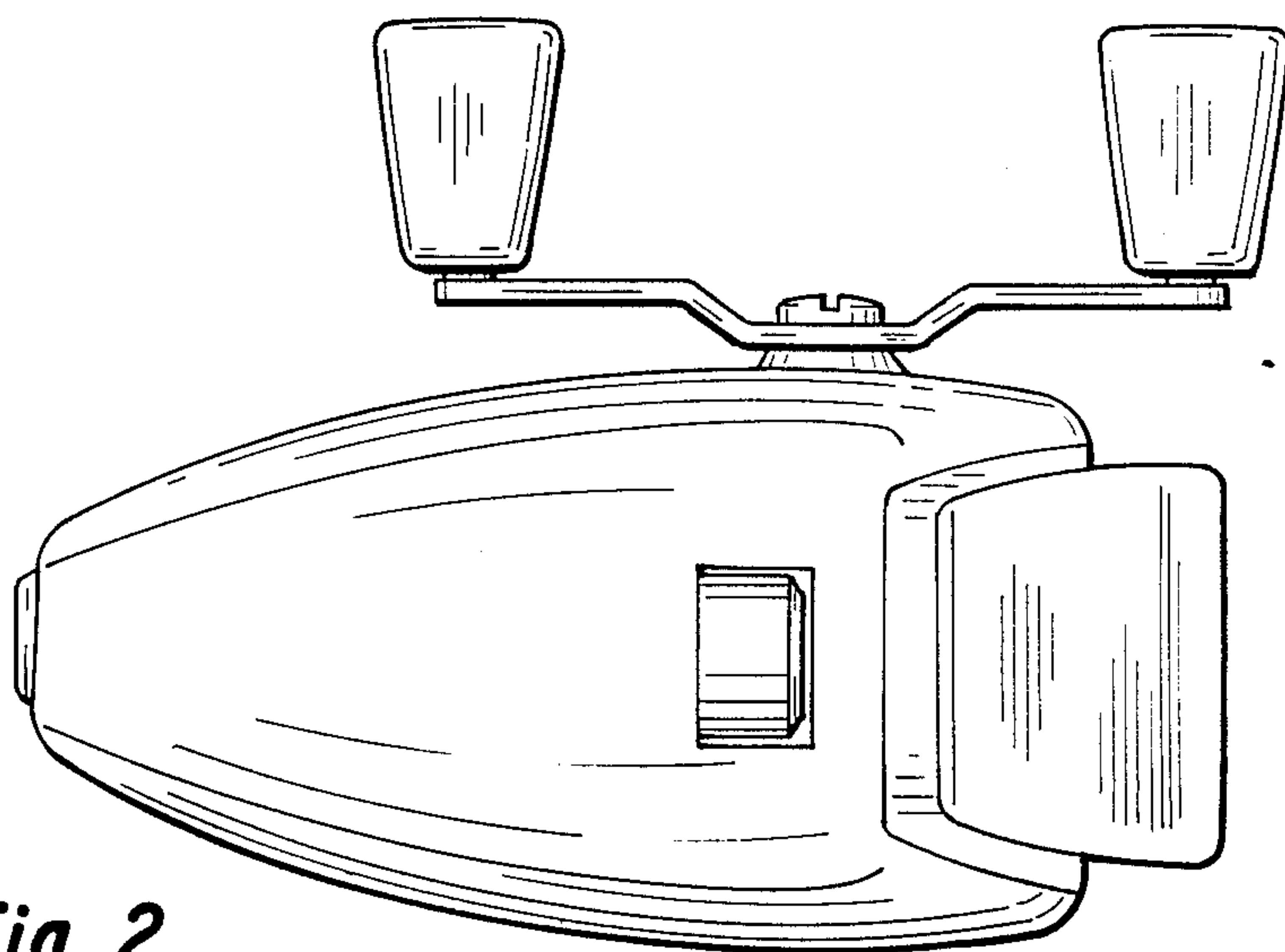


Fig. 2

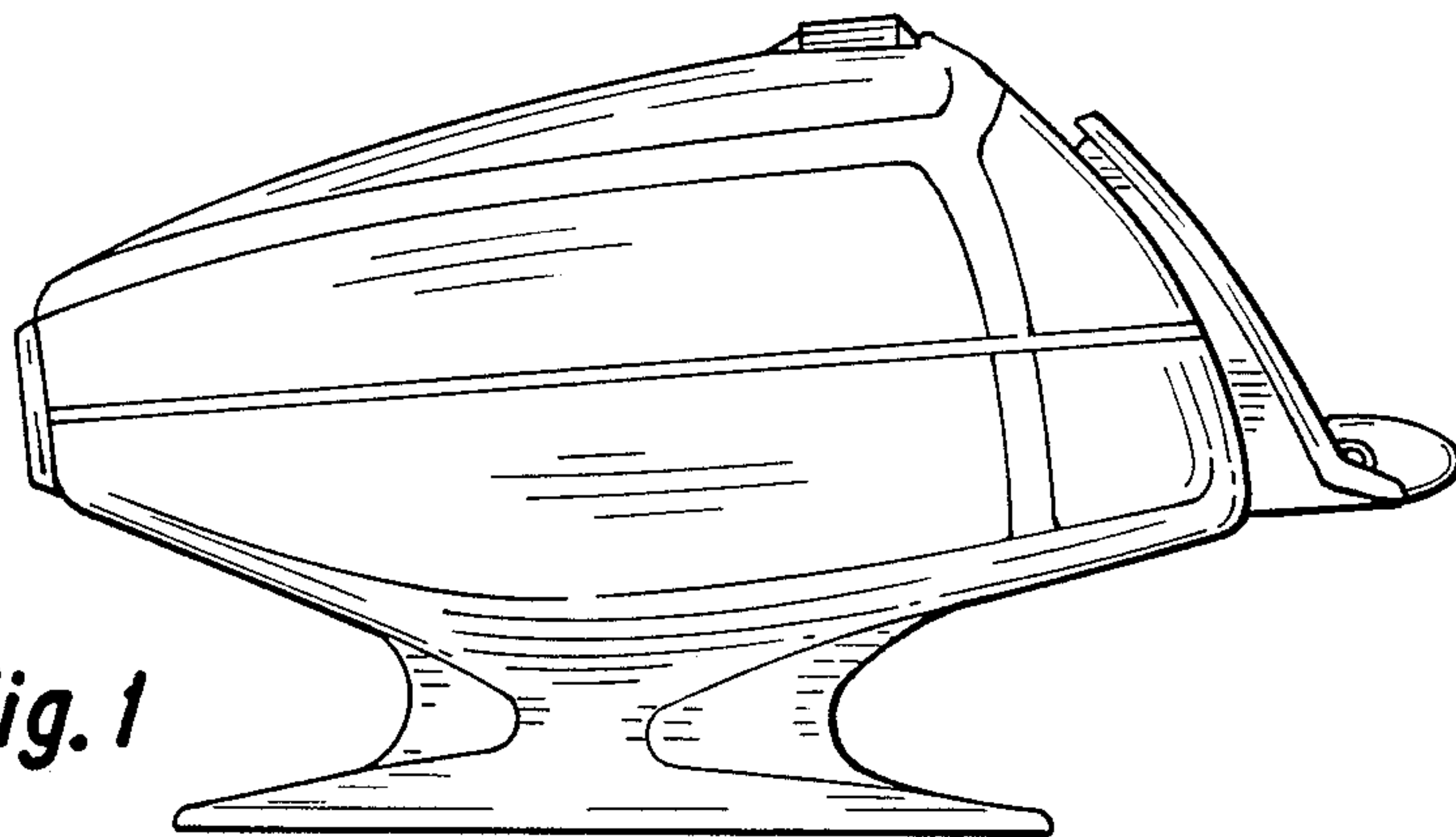


Fig. 1

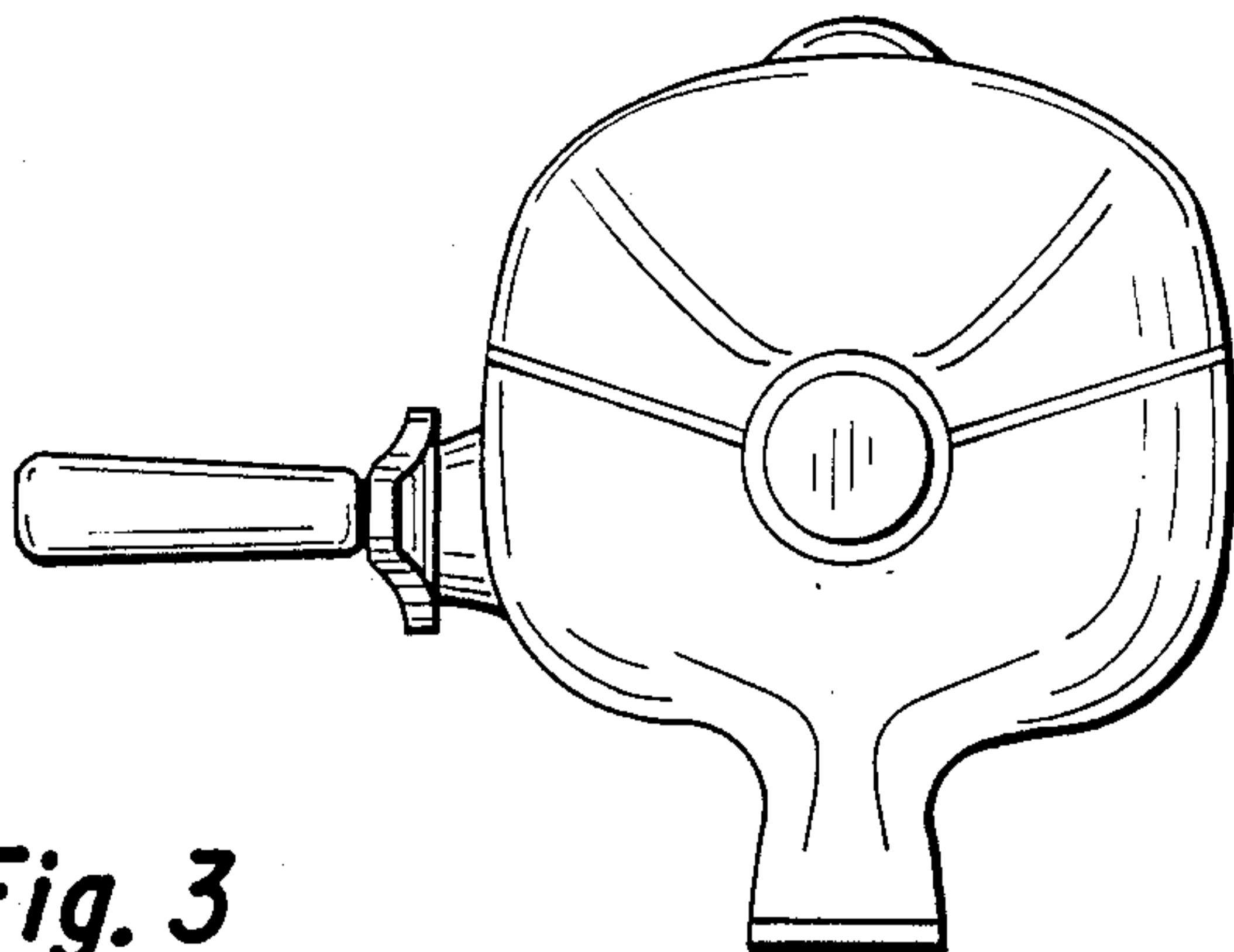


Fig. 3

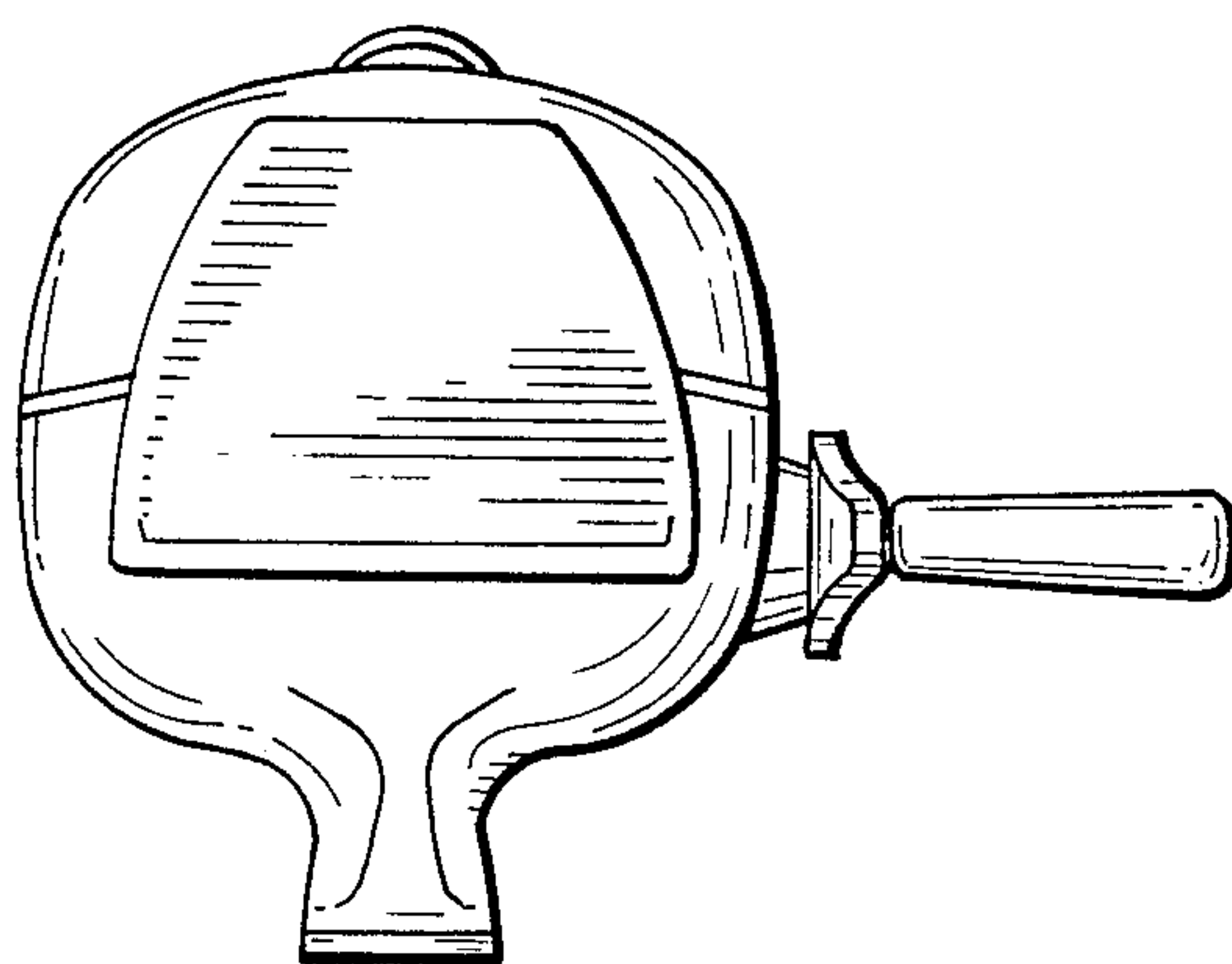


Fig. 4

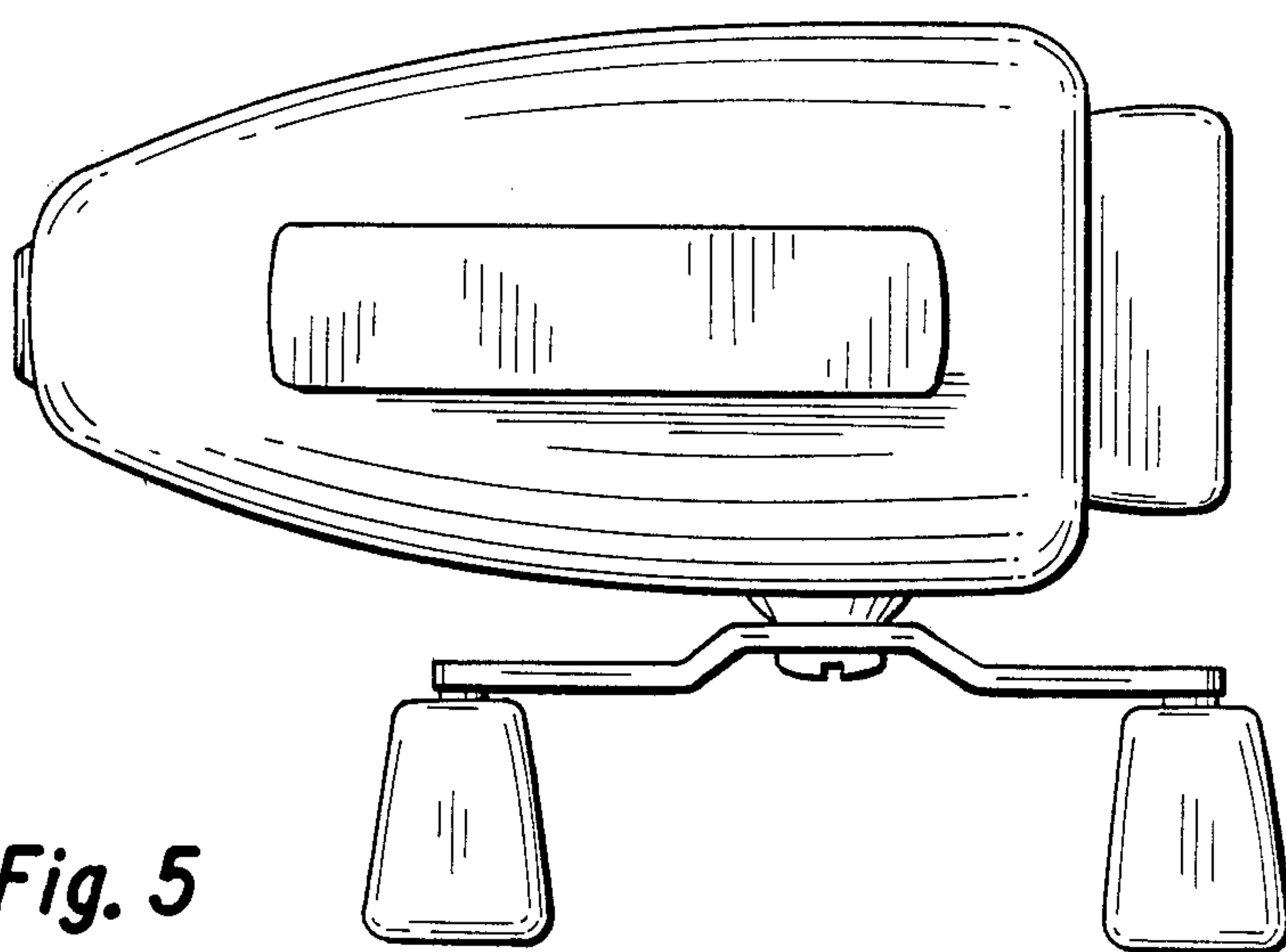


Fig. 5

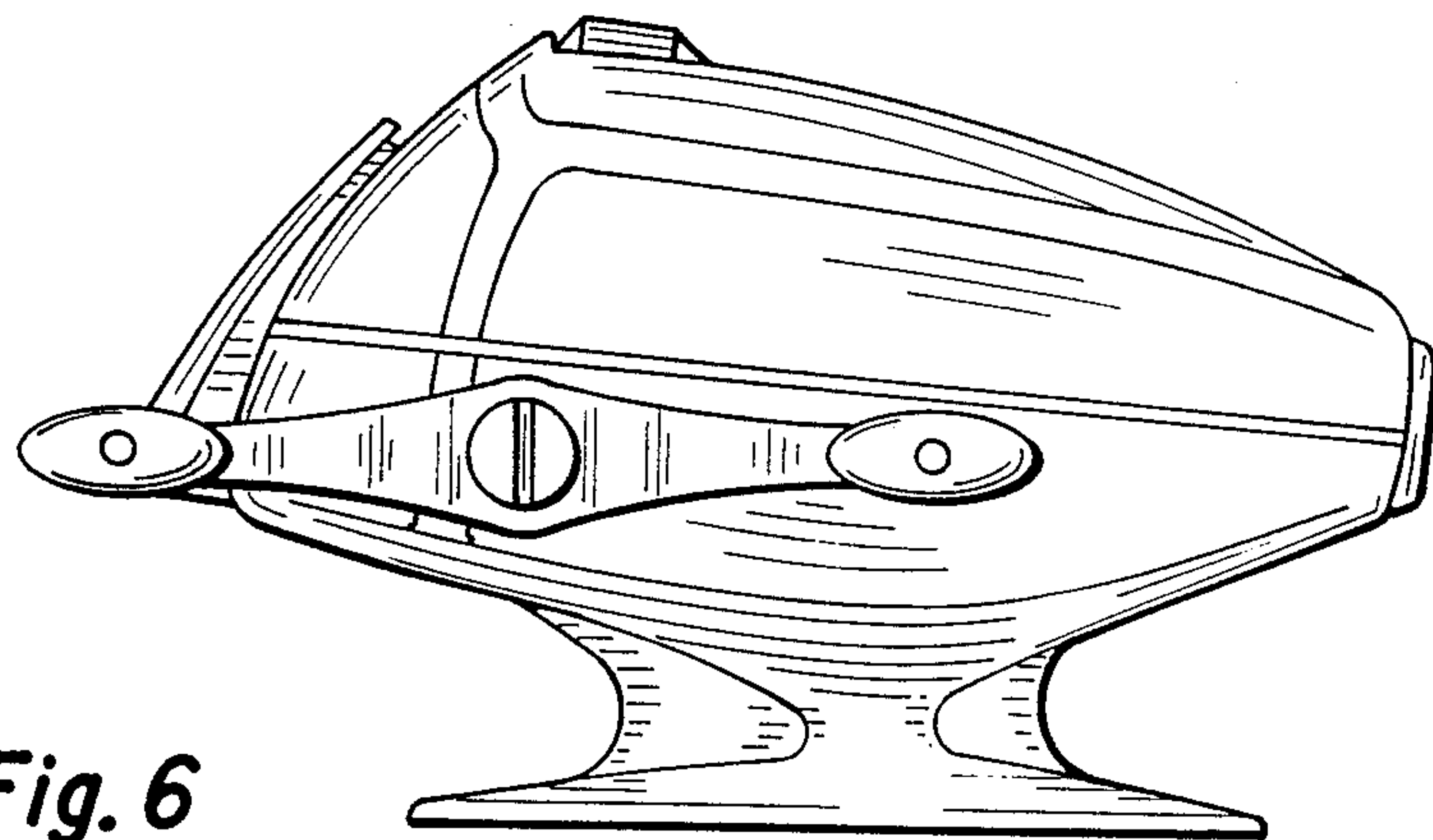


Fig. 6