

[54] TOY RATTLE

[75] Inventors: Harry S. Thomson, Richmond; David Raffo, Hitchin, both of England

[73] Assignee: Monami Products Ltd., Surrey, England

[**] Term: 14 Years

[21] Appl. No.: 153,660

[22] Filed: Feb. 9, 1988

[30] Foreign Application Priority Data

Aug. 13, 1987 [GB] United Kingdom 1044180
[52] U.S. Cl. D21/65
[58] Field of Search D21/130, 59, 64, 65, D21/92, 93; 446/227, 228, 267, 397, 418, 420-422, 491

[56] References Cited

U.S. PATENT DOCUMENTS

D. 232,373 8/1974 Luzius et al. D21/130
D. 262,552 1/1982 Barton D21/65
D. 265,749 8/1982 Nakao et al. D21/65
D. 268,604 4/1983 Chase et al. D21/92
D. 285,320 8/1986 Thomson et al. D21/65

Primary Examiner—Charles A. Rademaker
Attorney, Agent, or Firm—Armstrong, Nikaido, Marmelstein, Kubovcik & Murray

[57] CLAIM

The ornamental design for a toy rattle, as shown.

DESCRIPTION

FIG. 1 is a front perspective view of a toy rattle showing my new design;
FIG. 2 is a front elevational view thereof;
FIG. 3 is a rear elevational view thereof;
FIG. 4 is a right side elevational view thereof;
FIG. 5 is a left side elevational view thereof;
FIG. 6 is a top plan view thereof; and
FIG. 7 is a bottom plan view thereof.

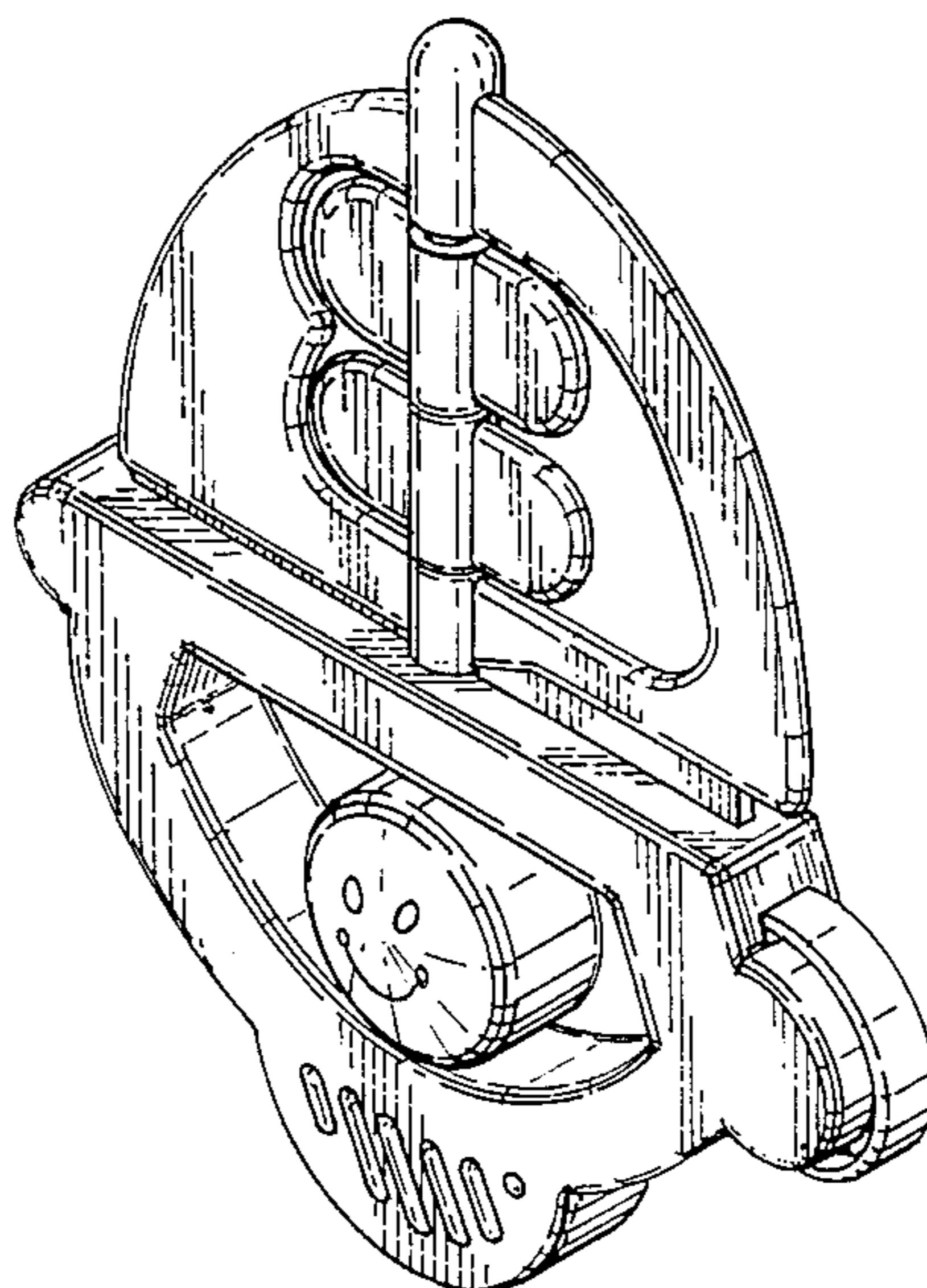


FIG. 1

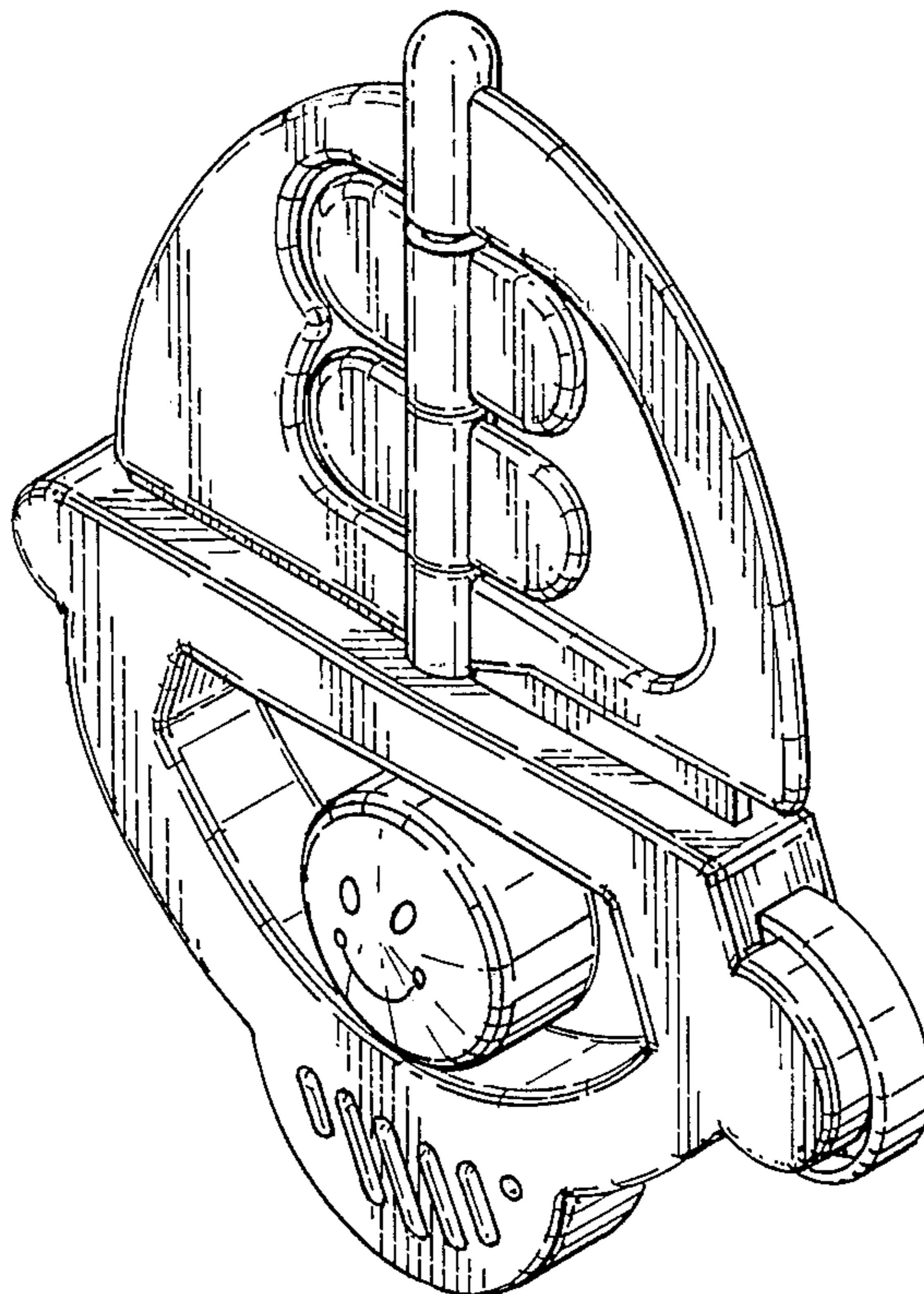


FIG. 2

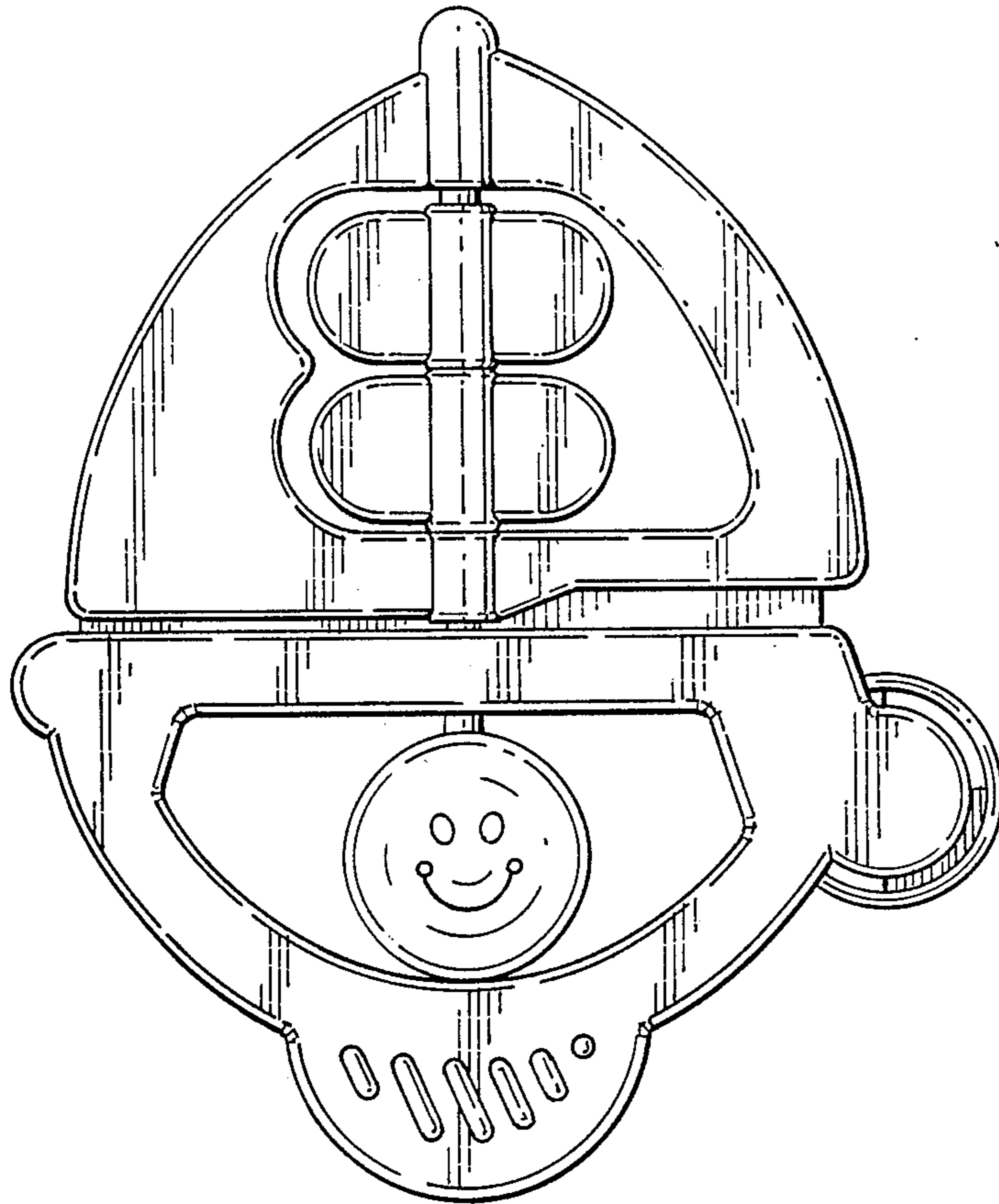


FIG. 3

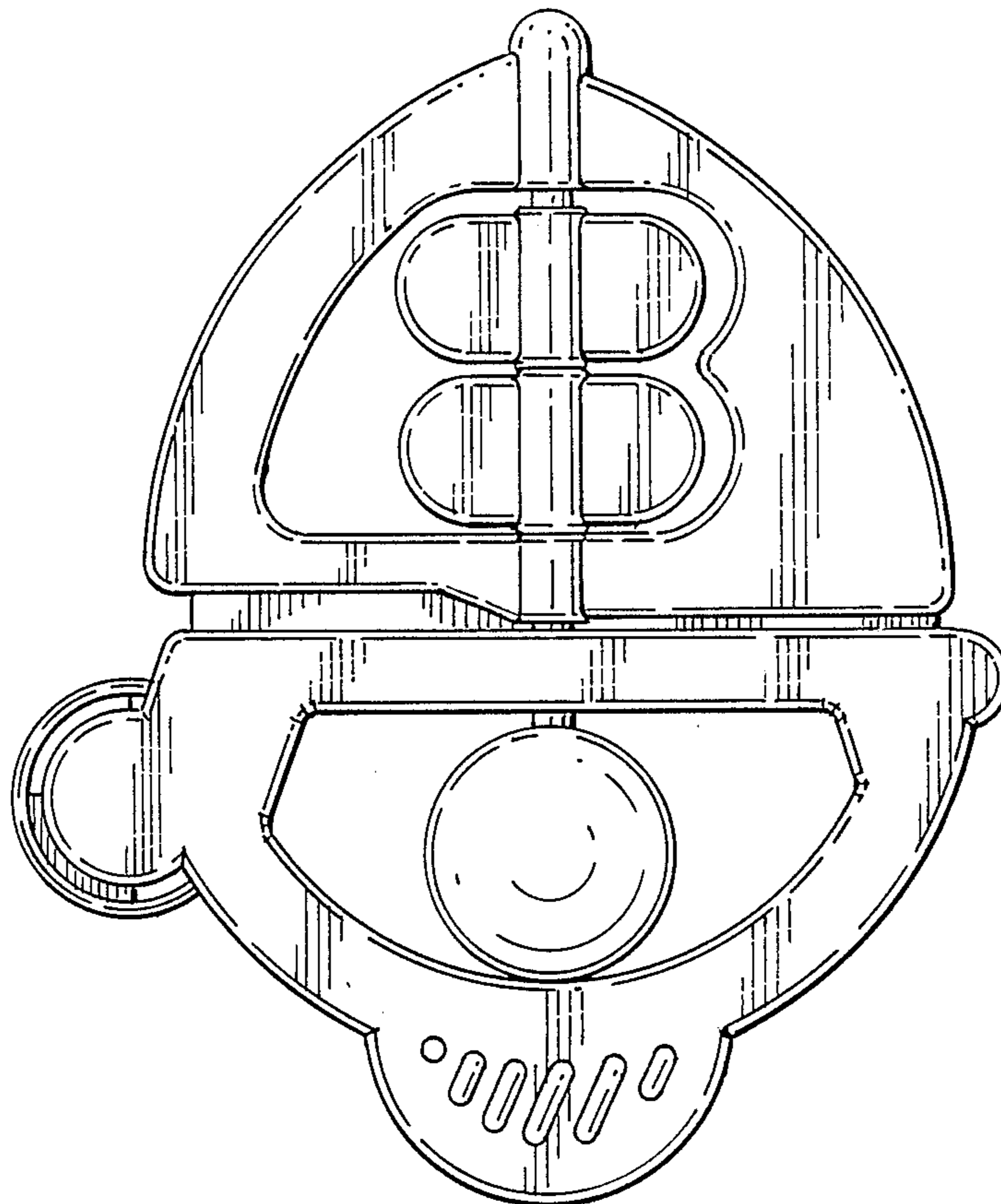


FIG. 4

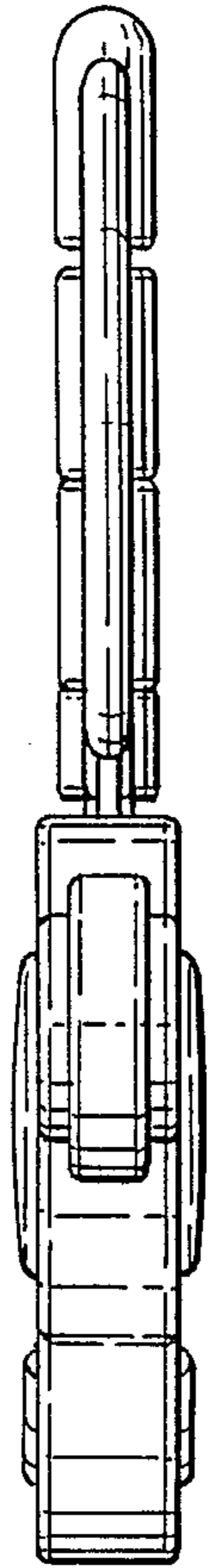


FIG. 5

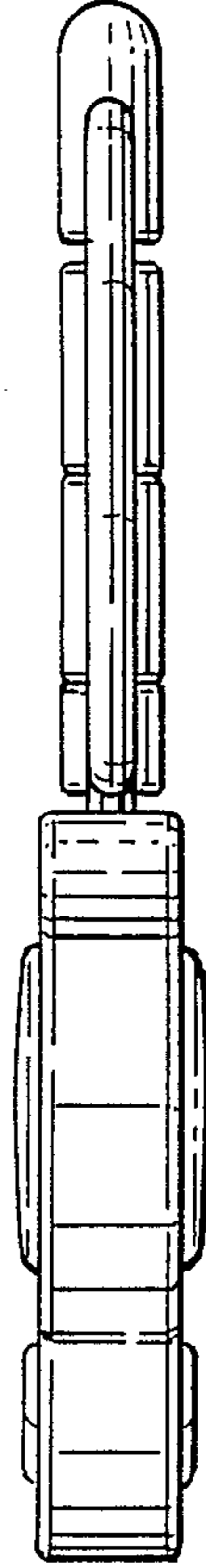


FIG. 6

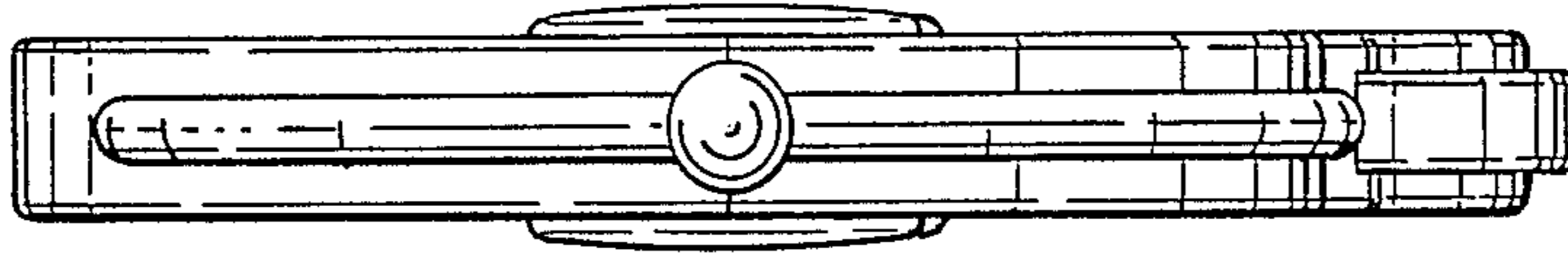


FIG. 7

