

[54] **ELECTRICALLY-POWERED ERASER**

[75] Inventor: **Mack W. Crutchfield, Dallas, Tex.**
[73] Assignee: **Rotex Company, Dallas, Tex.**
[**] Term: **14 Years**
[21] Appl. No.: **78,071**
[22] Filed: **Jul. 27, 1987**
[52] U.S. Cl. **D19/53; D19/65**
[58] Field of Search **D8/61, 62; D19/53;**
15/3.53

[56] **References Cited**
U.S. PATENT DOCUMENTS

D. 180,101	4/1657	Robinson	D19/53
D. 184,831	4/1959	Palma	D19/53
D. 205,748	9/1966	Hall	D8/61
D. 207,147	3/1967	Daher	D8/61
D. 217,705	6/1970	Niederwaugers	D8/61
D. 223,969	6/1972	Collura	D19/53
D. 304,543	11/1989	Somers et al.	D8/61
3,286,558	11/1966	Hufnagel	D8/61 X

OTHER PUBLICATIONS

Charles Bruning Company, see Cordless Electric Eraser, right side of page.

Primary Examiner—Bruce W. Dunkins
Assistant Examiner—Martha Thompson
Attorney, Agent, or Firm—Timmons & Kelly

[57] **CLAIM**

The ornamental design for an electrically-powered eraser, as shown and described.

DESCRIPTION

FIG. 1 is a front perspective view of an electrically-powered eraser showing my new design;
FIG. 2 is a right side elevational view, the left side being a mirror image thereof;
FIG. 3 is a front elevational view;
FIG. 4 is a rear elevational view;
FIG. 5 is a top plan view; and
FIG. 6 is bottom plan view thereof.
The fragmentary power cord attachment depicted by means of broken lines in FIG. 2 is for illustrative purposes only and forms no part of the claimed design.

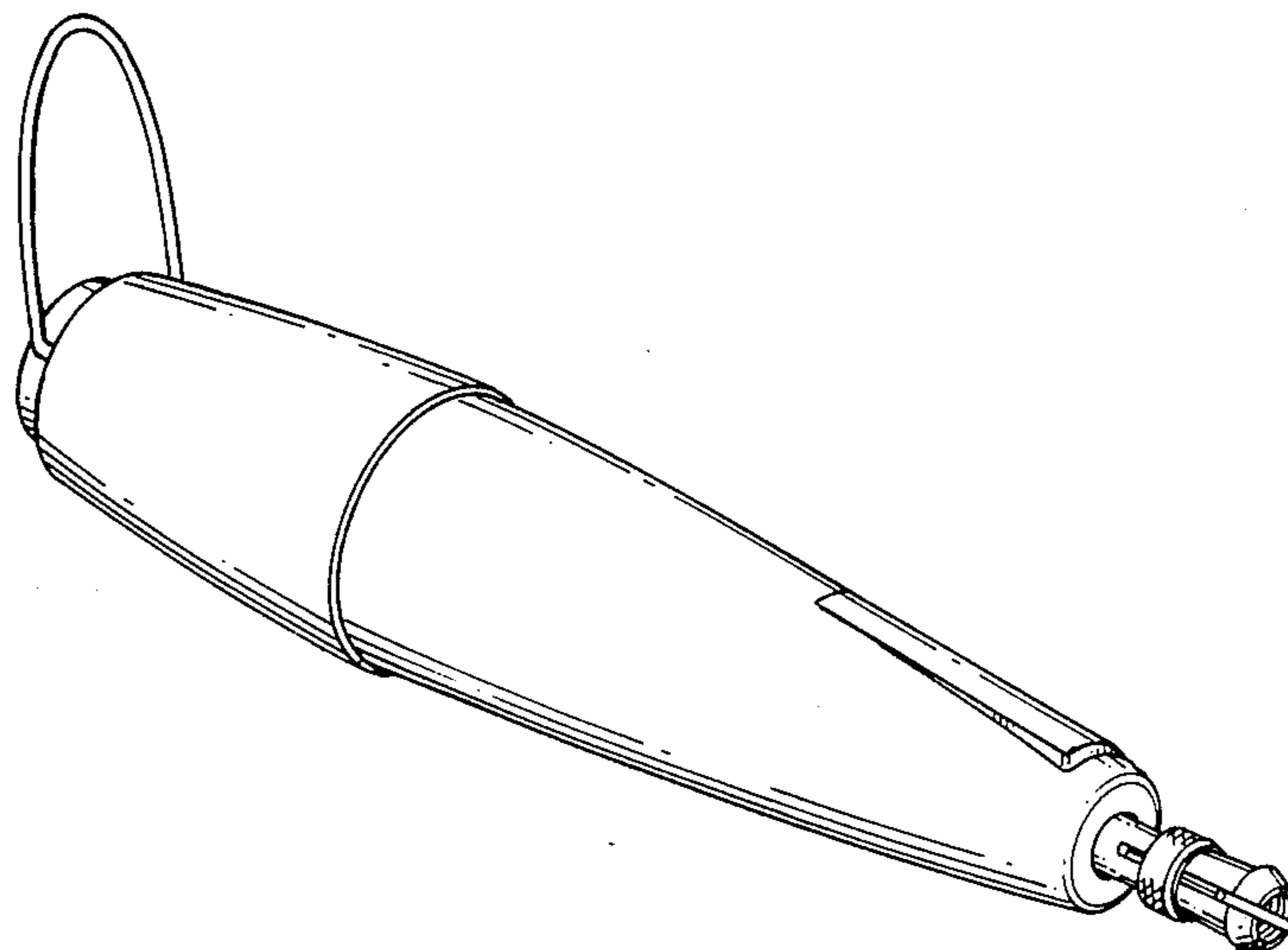


FIG. 1

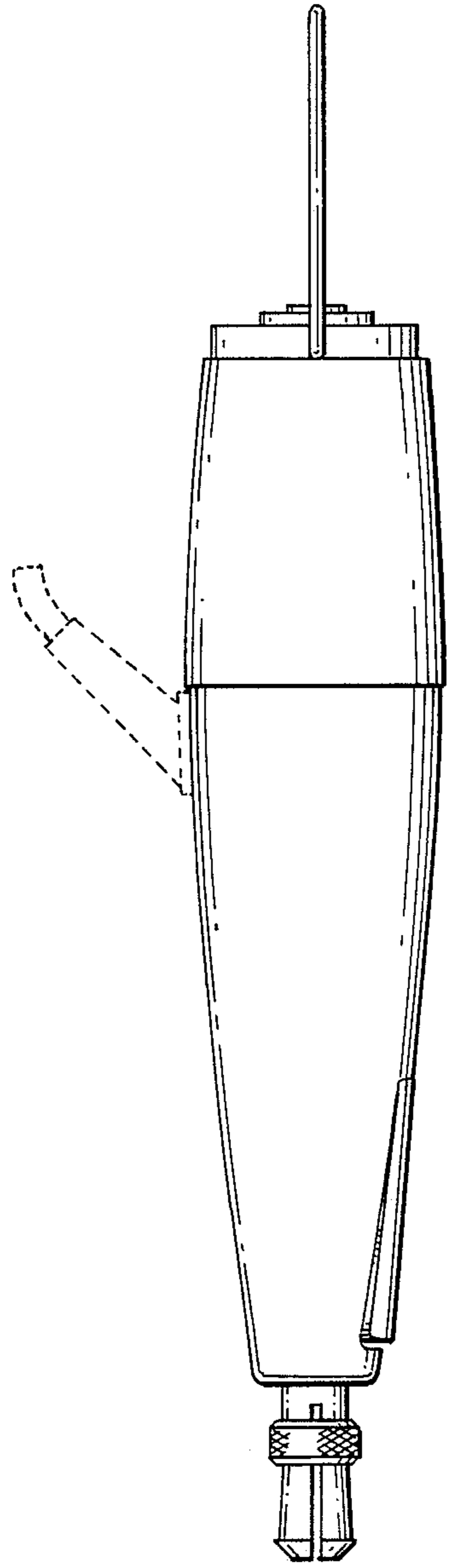
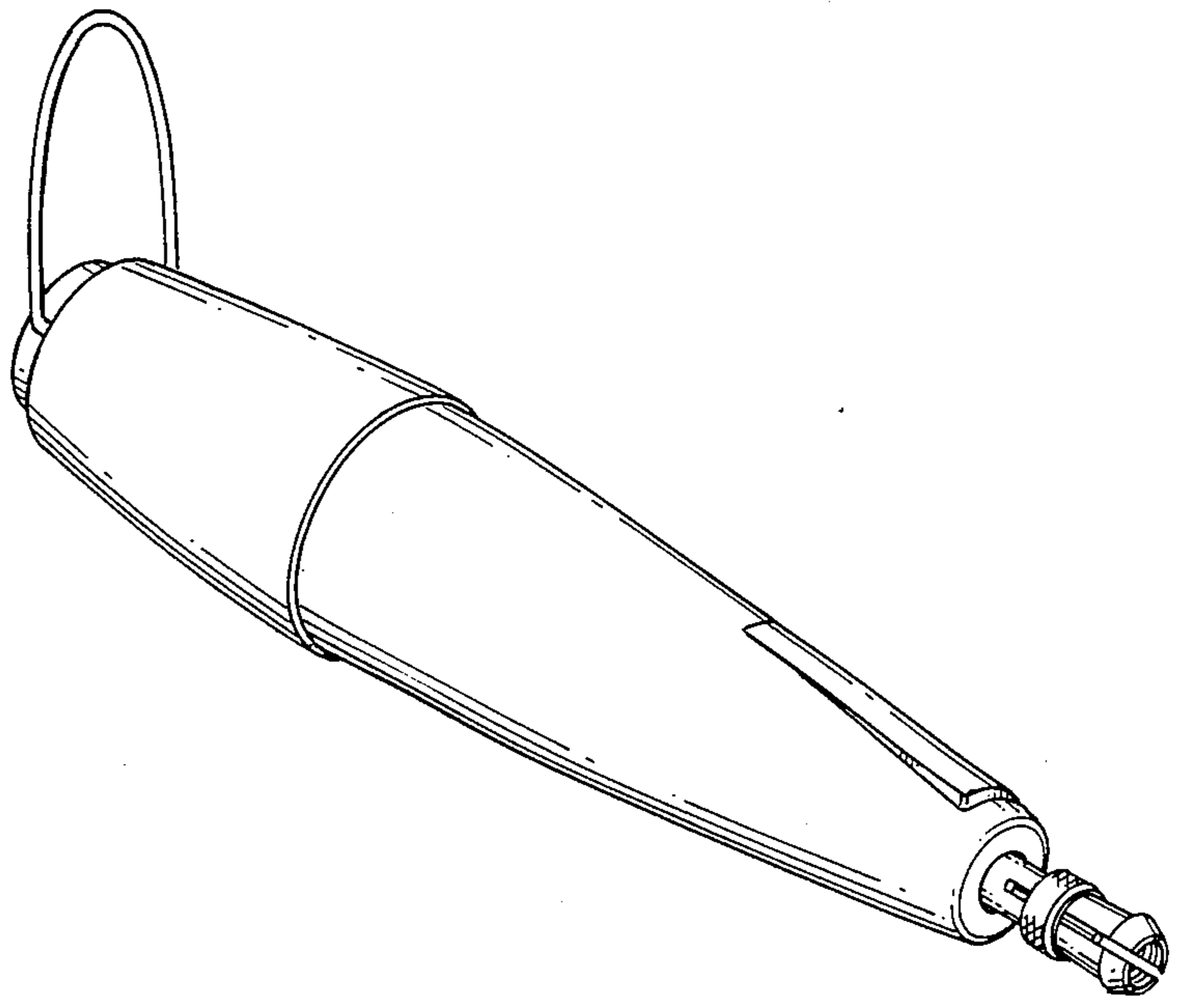


FIG. 2

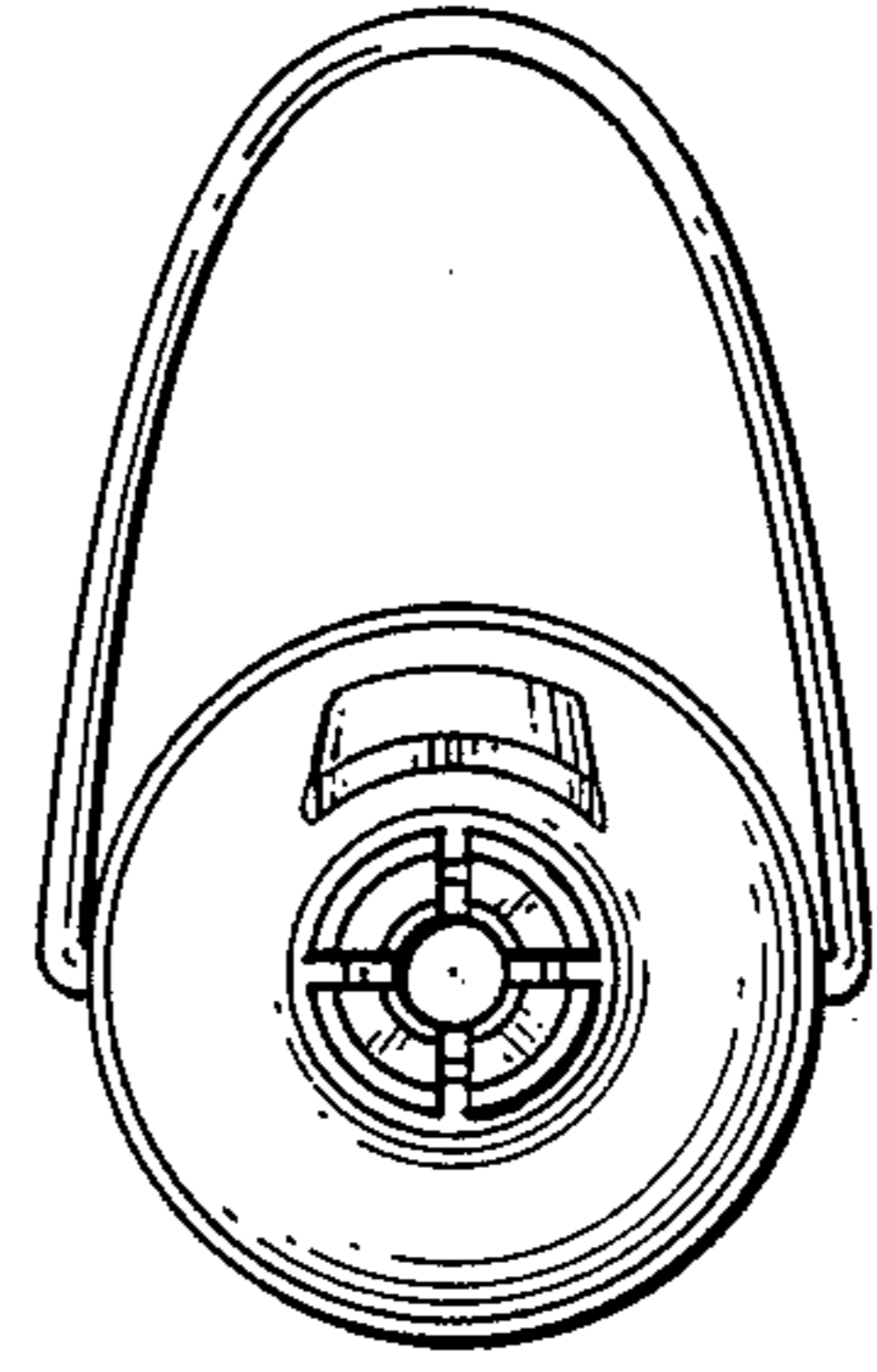


FIG. 3

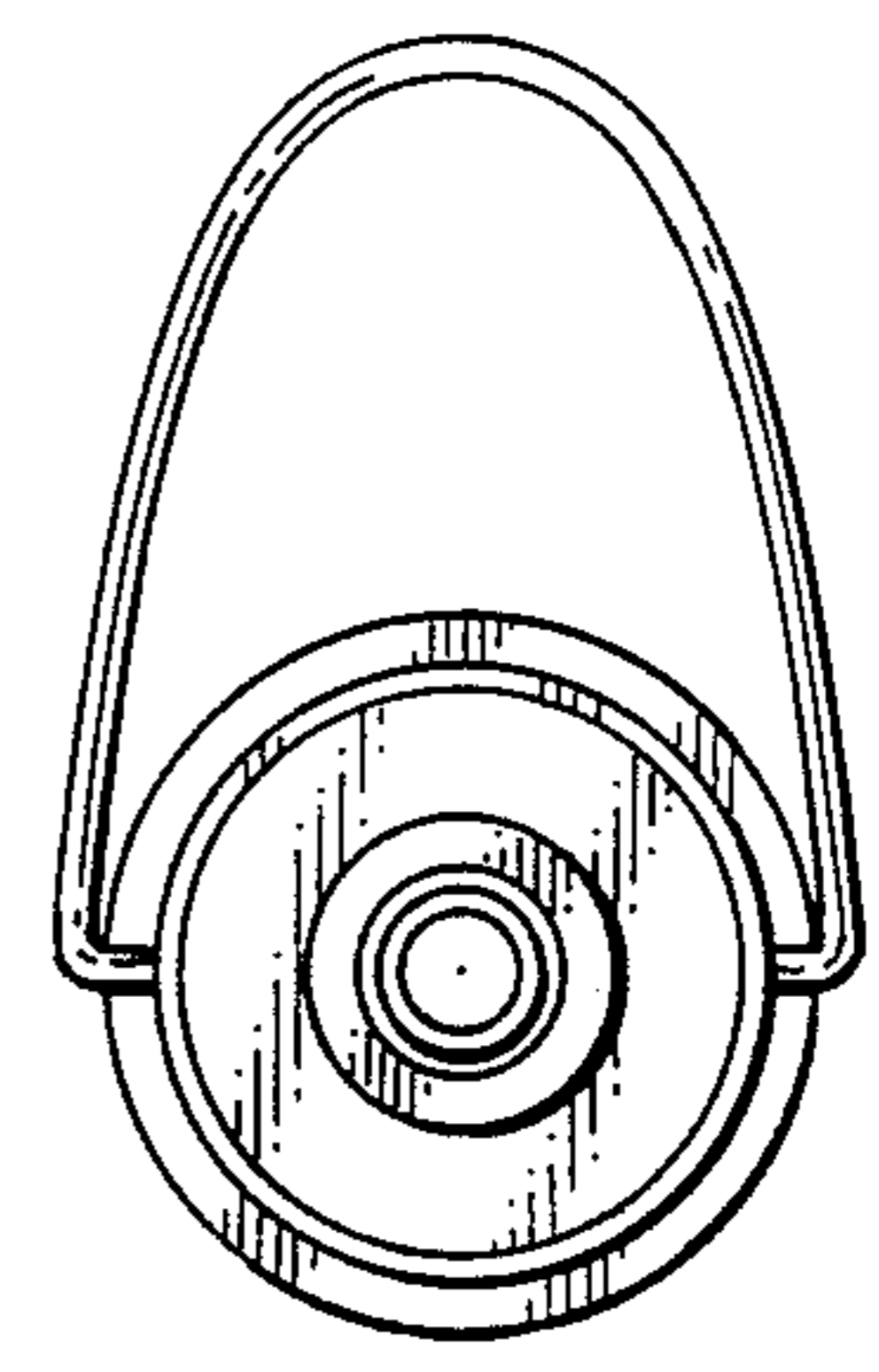


FIG. 4

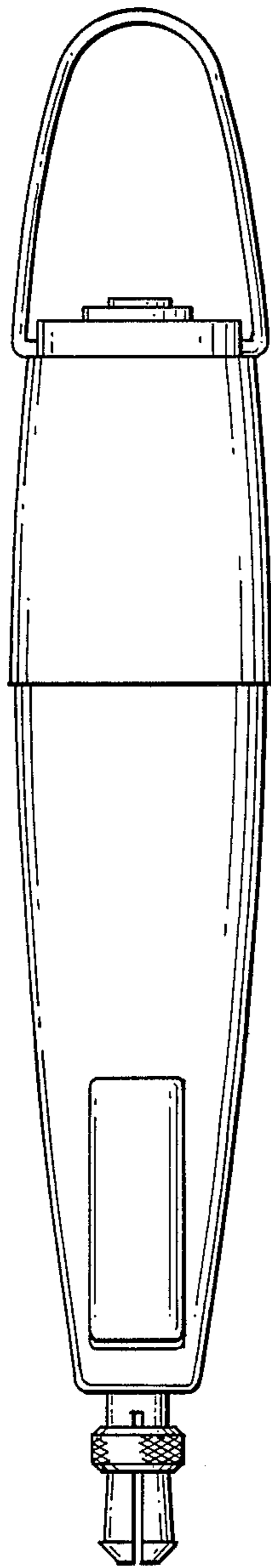


FIG. 5

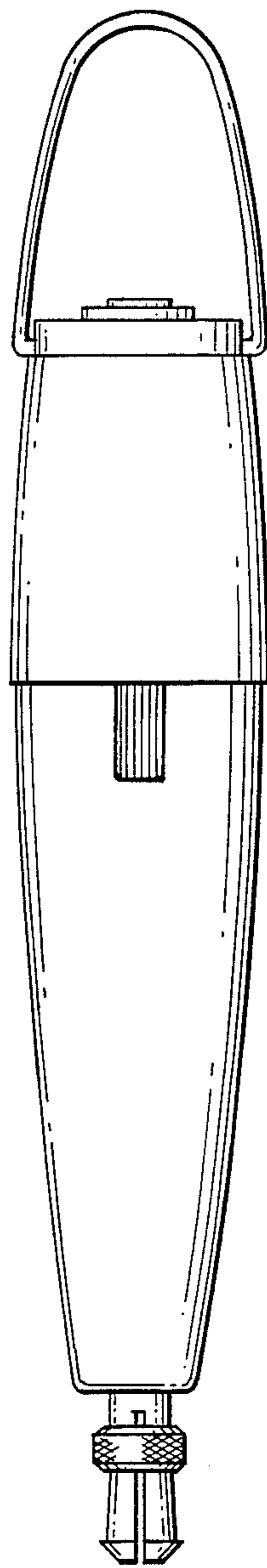


FIG. 6