

[54] **PRINTER STAND**

[75] Inventors: Donald R. Westland, Venice; H. Charles Hassel, Los Angeles, both of Calif.

[73] Assignee: MicroComputer Accessories, Inc., Los Angeles, Calif.

[**] Term: 14 Years

[21] Appl. No.: 240,901

[22] Filed: Sep. 6, 1988

[52] U.S. Cl. D18/23

[58] Field of Search D6/396, 397, 405, 408, D6/425, 428, 430, 436, 440, 443, 449, 458, 462, 463, 464, 465, 473, 474, 482, 483, 485, 487, 491; 400/613.2, 613.4, 691; 248/176, 676; 355/200, 210; D18/23, 34, 99, 36, 37, 38, 39, 45

[56] **References Cited**

U.S. PATENT DOCUMENTS

| | | | | |
|------------|---------|------------------|-------|---------|
| D. 171,677 | 3/1954 | Adler | | D6/462 |
| D. 243,575 | 3/1977 | Knox | | D6/428 |
| D. 250,380 | 11/1978 | Verdesca et al. | | D6/428 |
| D. 258,789 | 4/1981 | Verdesca | | D6/428 |
| D. 289,114 | 4/1987 | Dickson | | D6/425 |
| D. 289,474 | 4/1987 | Underwood et al. | | D6/425 |
| D. 297,141 | 8/1988 | Goodlander | | D14/111 |
| D. 301,979 | 7/1989 | Britz | | D6/440 |
| 4,632,345 | 12/1986 | Barley | | 248/676 |

OTHER PUBLICATIONS

Devoke Computer Support Pdts, Fall/Winter 1987 Catalog; p. 35, Item #8322-1.
NEBS Computer Forms Catalog, Summer 1983; p. 49, Item #9513.

Sell Sheet, Atlanta, Publication Date Unknown. Pages 209, 212, 213 & 215, INMAC, 2465 Augustine Drive, P.O. Box 58031, Santa Clara, CA 95052-8031, Publication Date Nov., 1987.

Pages 60, 82, 84 & 87, United Stationers Supply Company, 1988 Office Furniture Catalog, 2200 East Golf Road, Des Plaines, Ill. 60016, Publication Date 1988.

Catalog Page, Mocas, Rynsburgstraat 11, 1059 at Amsterdam, Publication Date Unknown.

Catalog Page, Microcomputer Accessories, Inc., 5405 Jandy Place, P.O. Box 66911, Los Angeles, CA 90066-0911, Publication Date 1986.

Page 67, Misco, One Misco Plaza, Holmdel, NJ 07733, Publication Date Fall, 1987.

Catalog page, General, Buromobelfabrik GmbH, Worringstrasse 250, Postfach 170108, D-4300 Essen 17, Publication Date Unknown.

Primary Examiner—James R. Largen

Assistant Examiner—Cathy Anne MacCormac

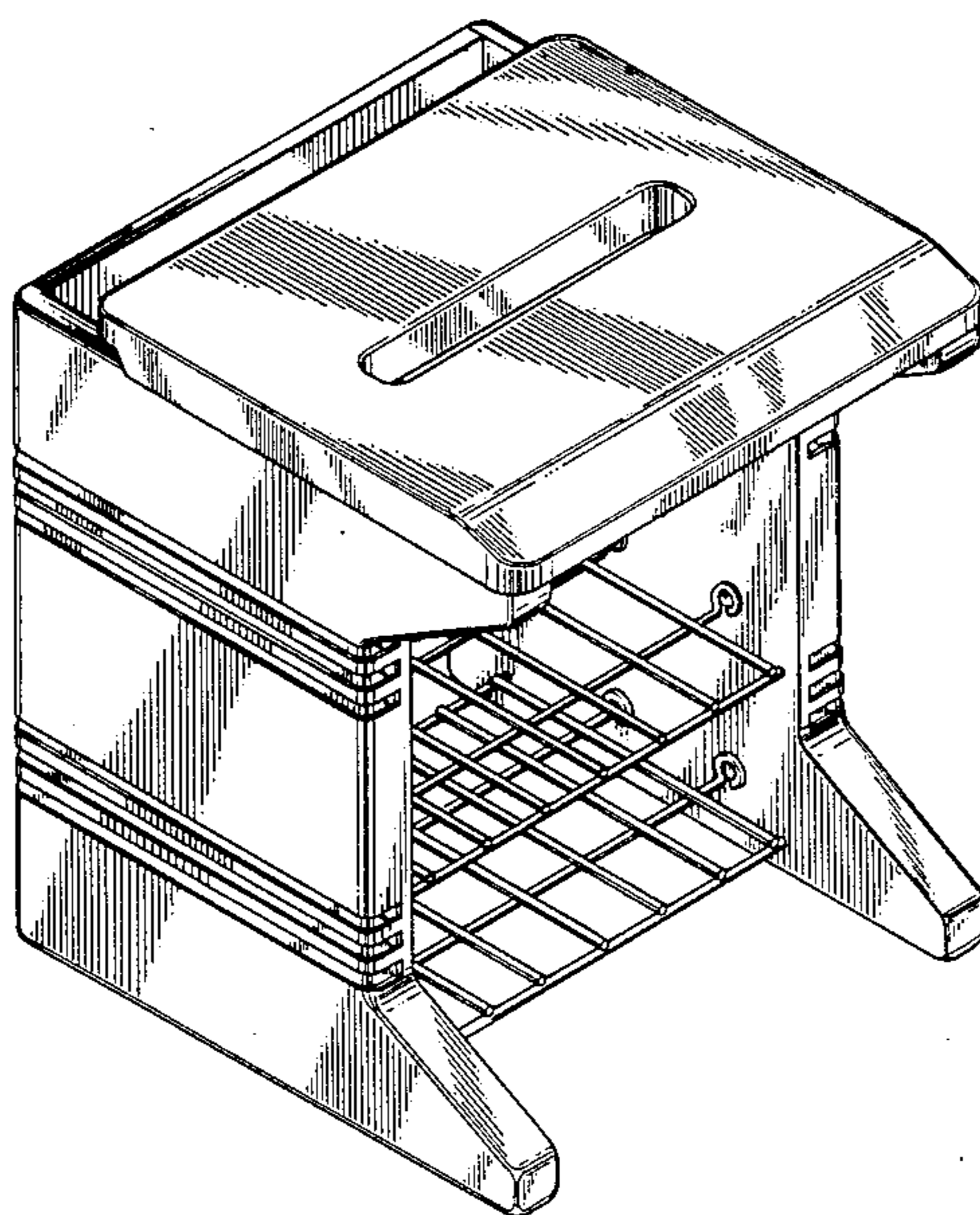
Attorney, Agent, or Firm—Richard B. O'Planick

[57] **CLAIM**

The ornamental design for a printer stand, as shown and described.

DESCRIPTION

FIG. 1 is a top, front and left side perspective view of a printer stand showing our new design; FIG. 2 is a top plan view thereof; FIG. 3 is a bottom plan view thereof; FIG. 4 is a front elevational view thereof; FIG. 5 is a rear elevational view thereof; FIG. 6 is a right side elevational view thereof, the left side being a mirror image of the right side shown; and FIG. 7 is a top, rear and right side perspective view thereof.



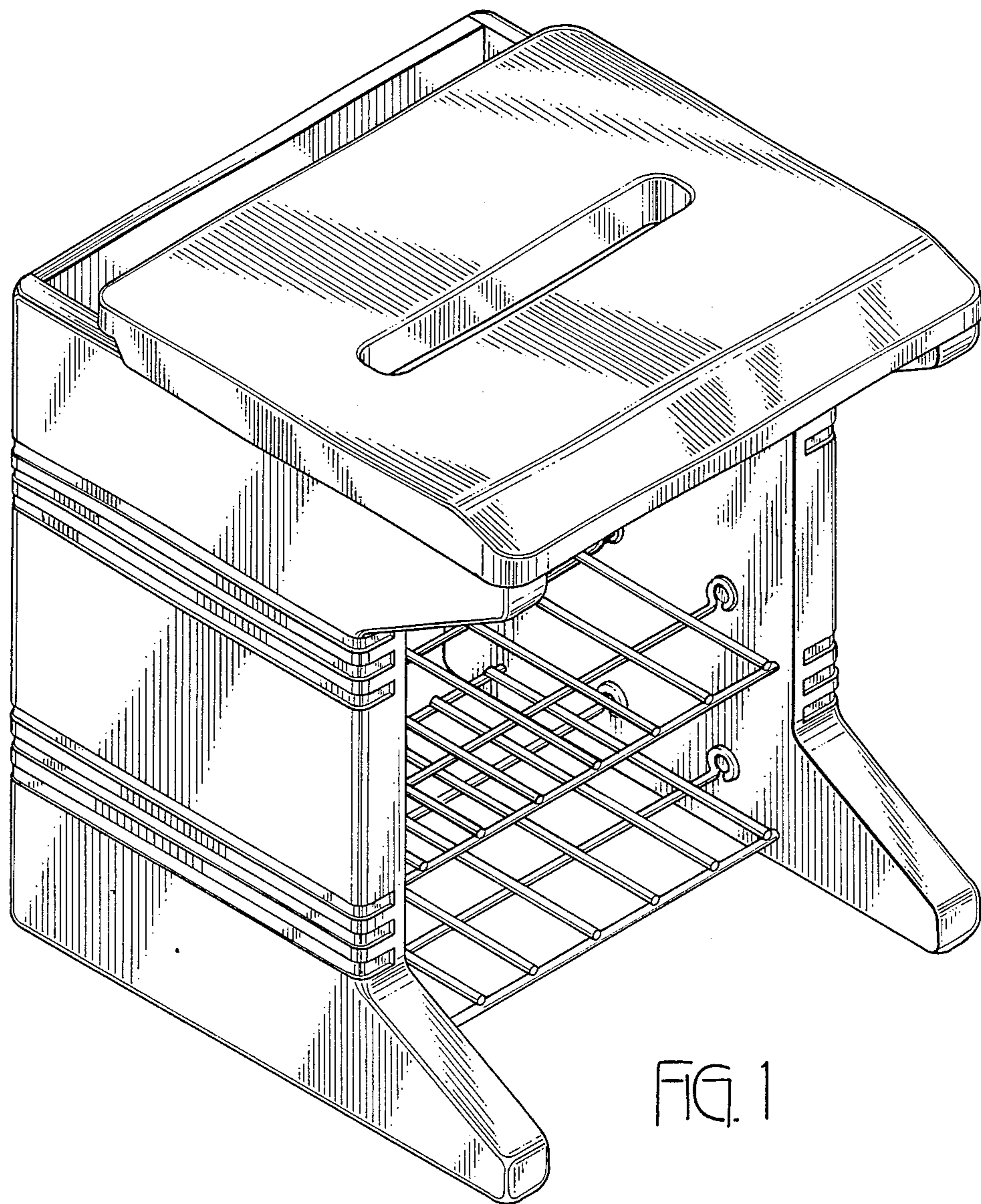


FIG. 1

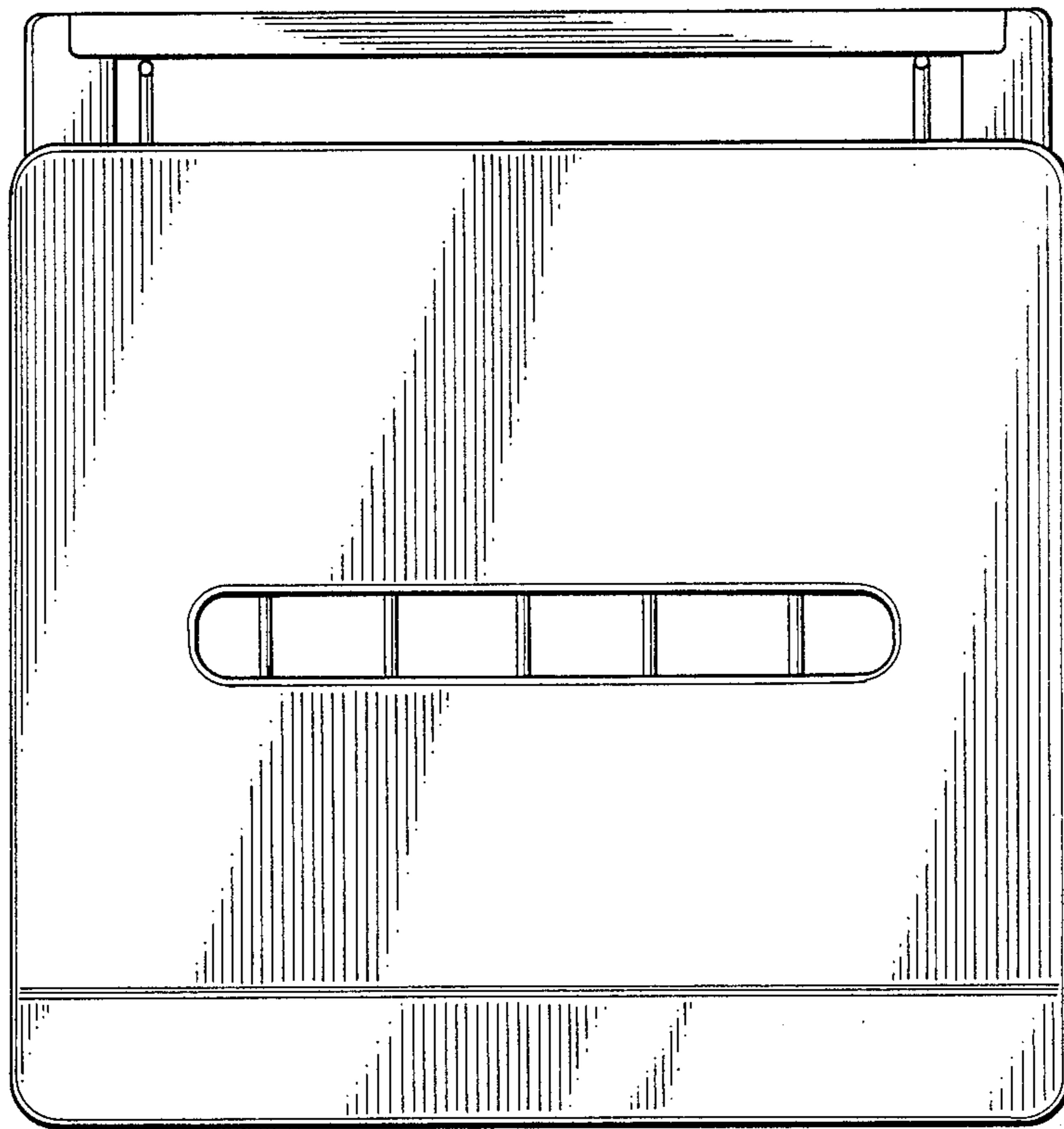


FIG. 2

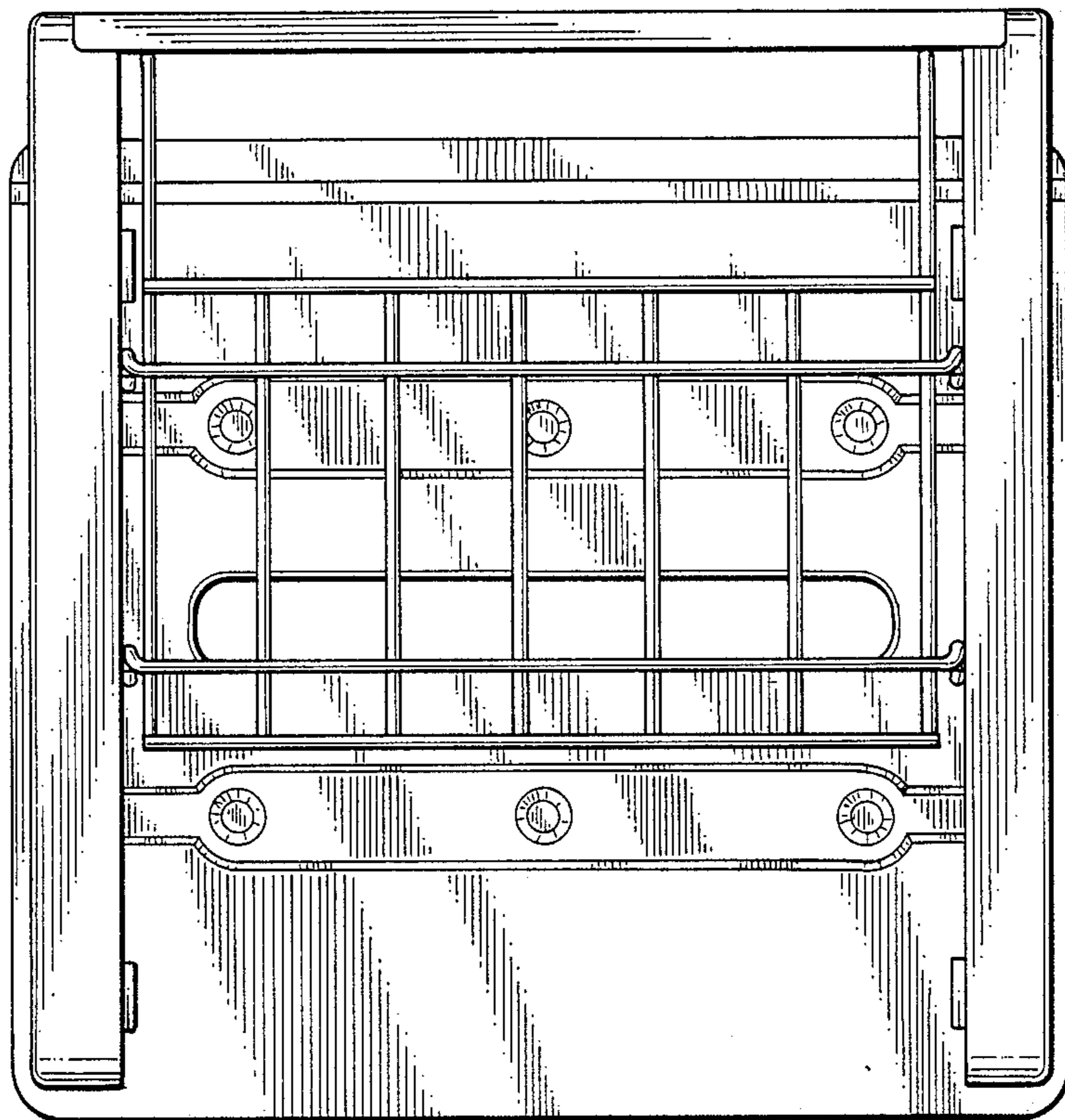


FIG. 3

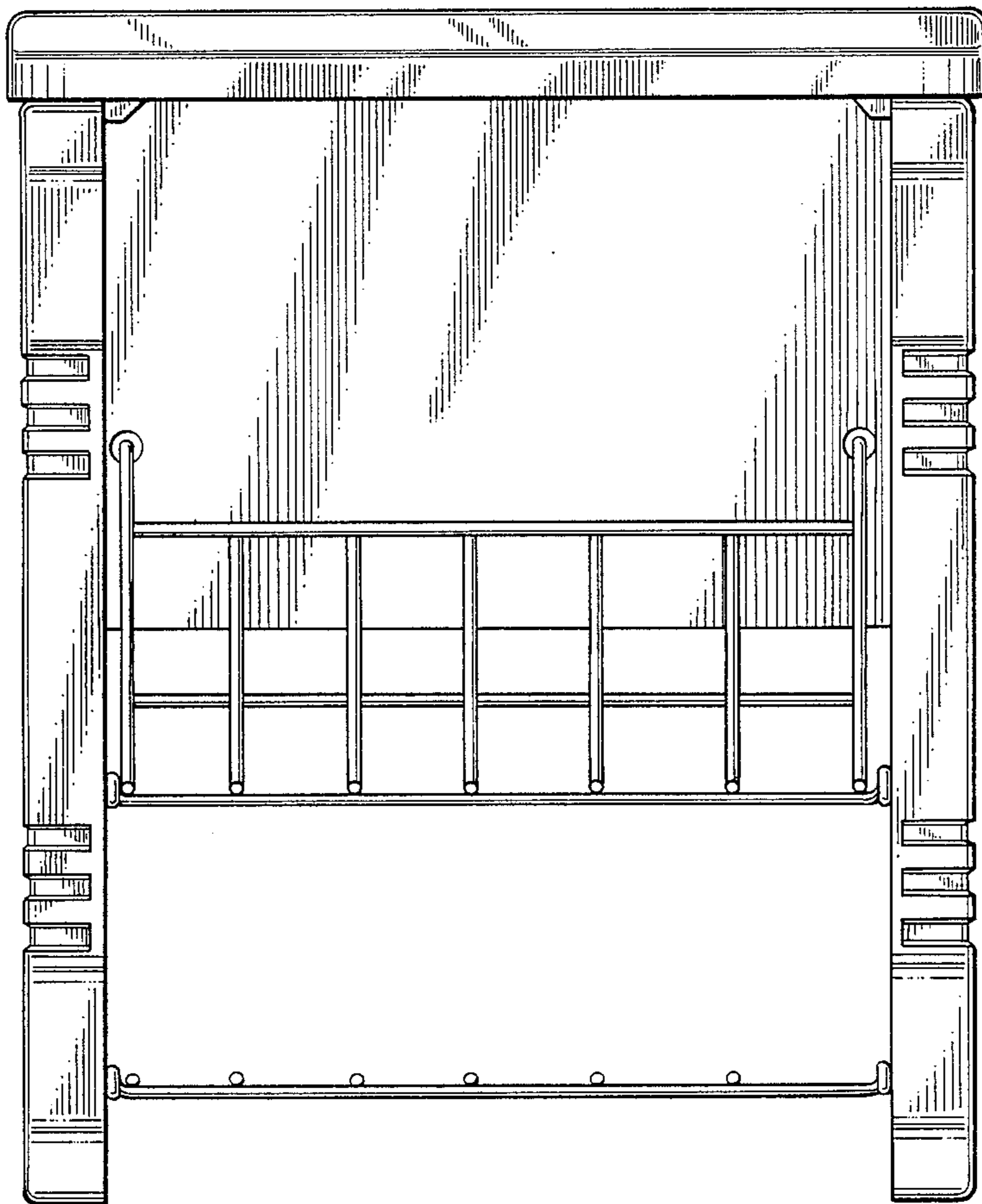


FIG. 4

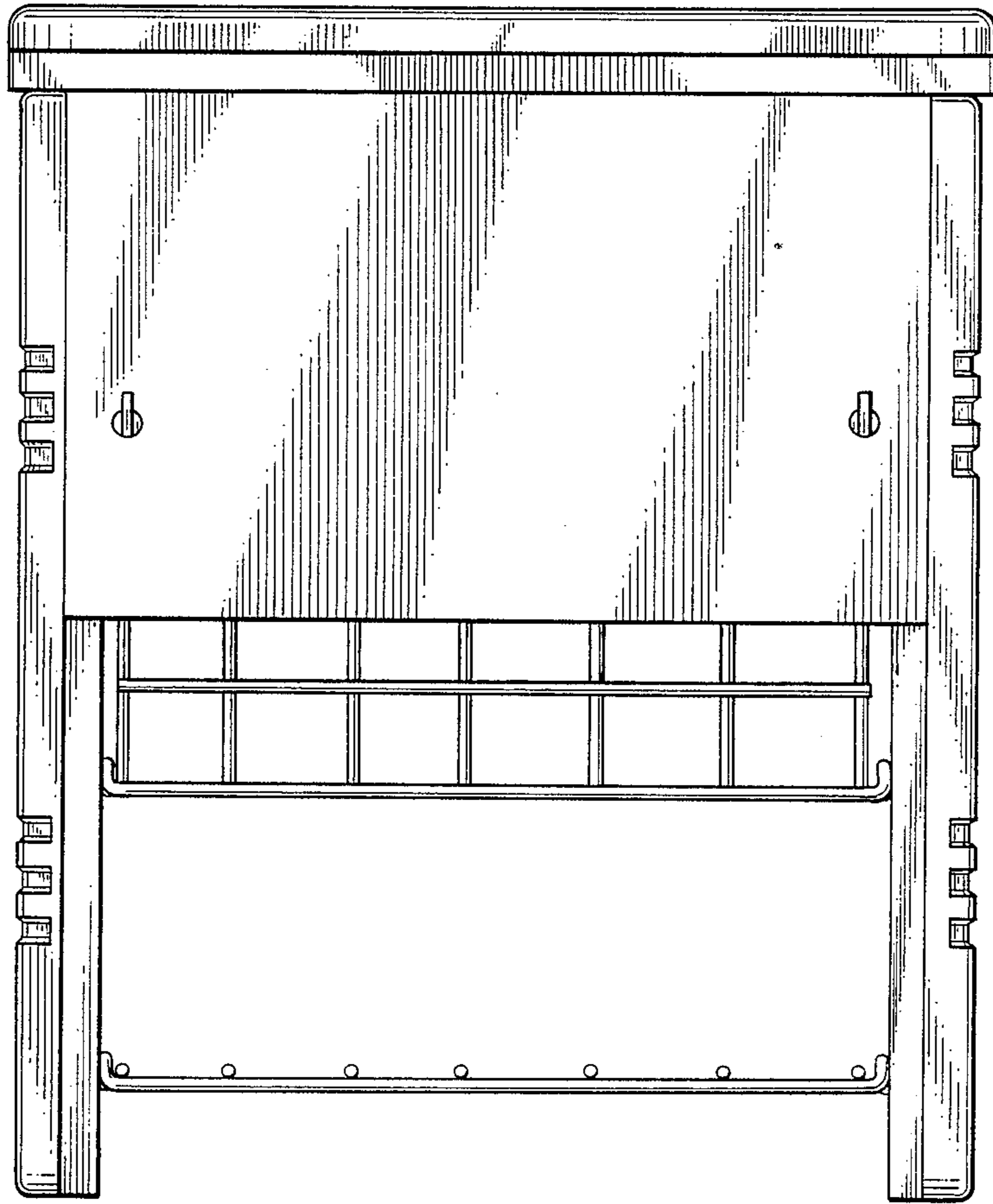


FIG. 5

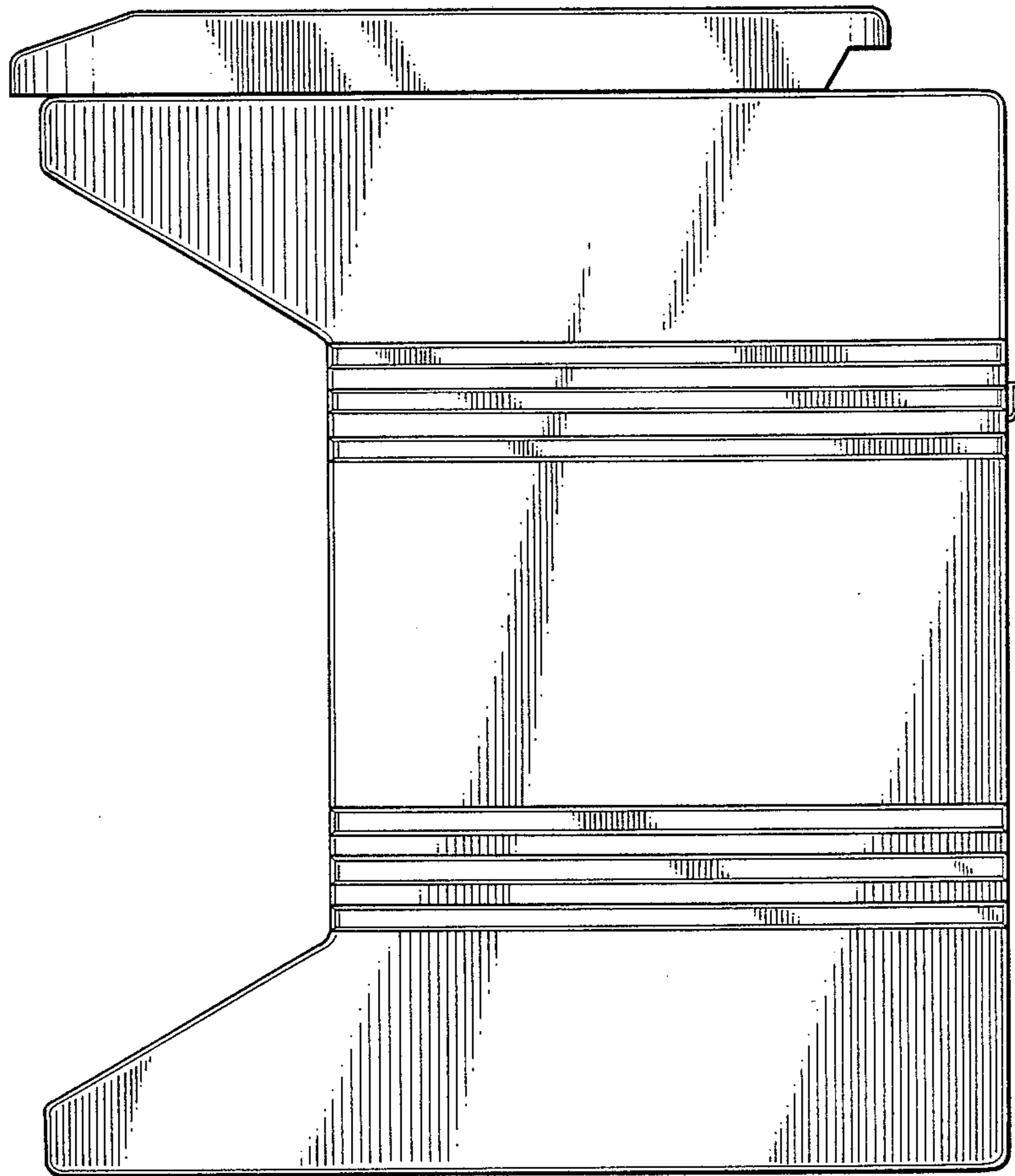


FIG. 6

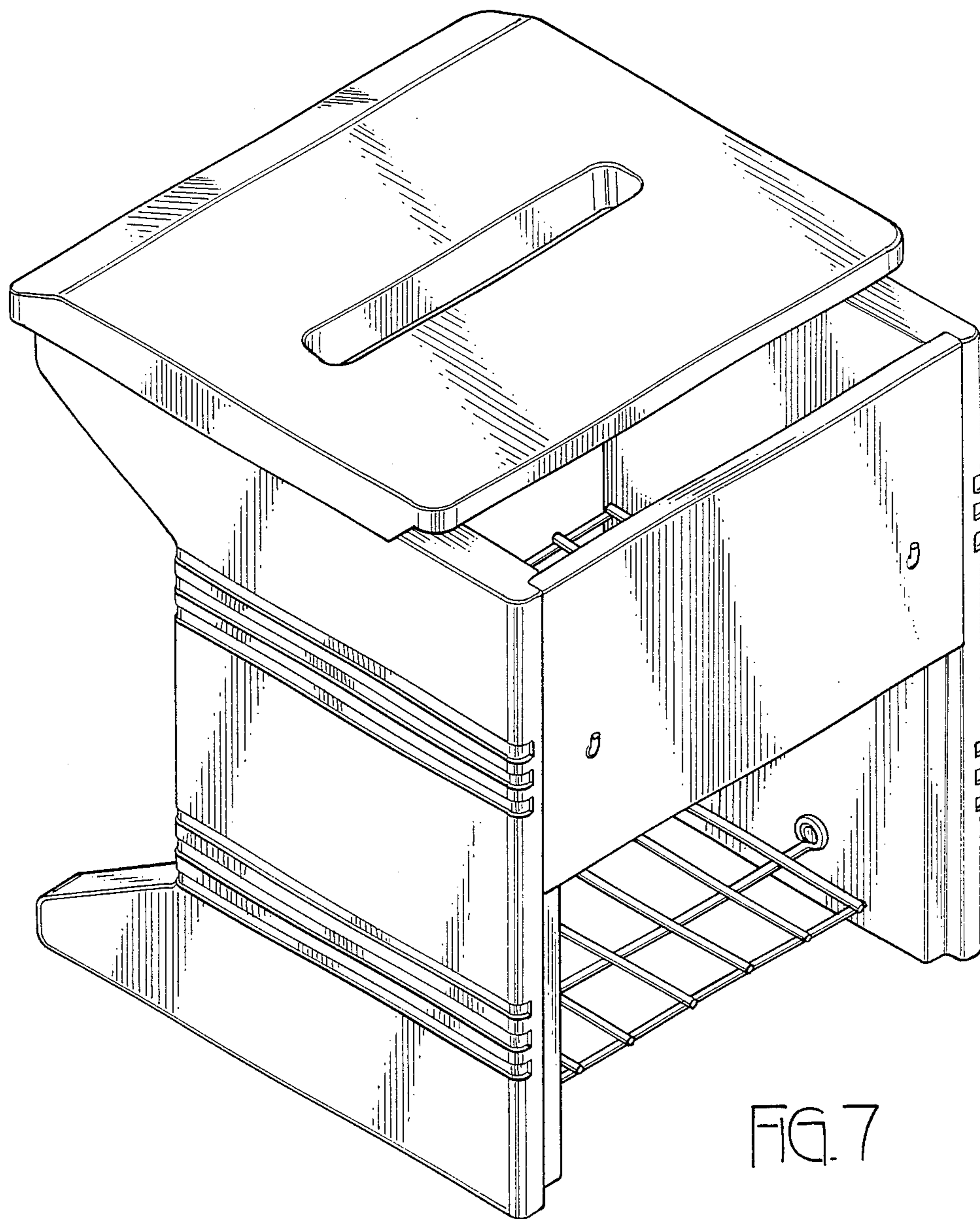


FIG. 7