

[54] ELECTRIC GUITAR

FOREIGN PATENT DOCUMENTS

[76] Inventor: Curt P. Roberts, 23600 Monument Canyon Dr., #G, Diamond Bar, Calif. 91765-2378

2037049 7/1980 United Kingdom 84/291

Primary Examiner—Melvin B. Feifer
Assistant Examiner—Adir Aronovich

[**] Term: 14 Years

[57] CLAIM

[21] Appl. No.: 150,714

The ornamental design for an electric guitar, as shown and described.

[22] Filed: Feb. 1, 1988

DESCRIPTION

[52] U.S. Cl. D17/14
[58] Field of Search D17/14, 15, 18, 19,
D17/20; 84/267, 304, 291, 293, 723, 726, 731,
733, 734

FIG. 1 is a front elevational view of an electric guitar showing my new design;
FIG. 2 is a left-side elevation view thereof;
FIG. 3 is rear elevational view thereof;
FIG. 4 is a right-side elevational view thereof;
FIG. 5 is an enlarged fragmentary top perspective view;
FIG. 6 is a right-side elevational view of a modified embodiment of the electric guitar illustrated in FIG. 4;
FIG. 7 is an enlarged bottom plan view thereof;
FIG. 8 is an enlarged fragmentary right-side elevation of the bottom portion of the guitar;
FIG. 9 is a top front perspective view thereof; and
FIG. 10 is a bottom rear perspective view.

[56] References Cited

U.S. PATENT DOCUMENTS

D. 110,178	6/1938	Fuller	D17/15
D. 247,863	5/1978	Sasaki et al.	D17/14
D. 271,400	11/1983	Knighten	D17/17
2,455,575	12/1948	Fender et al.	84/726
4,188,850	2/1980	Kaman, II	84/291

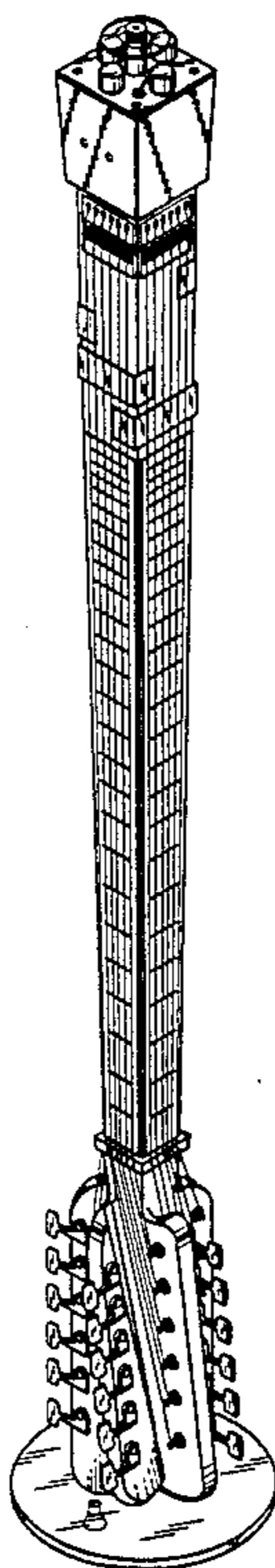


Fig. 1

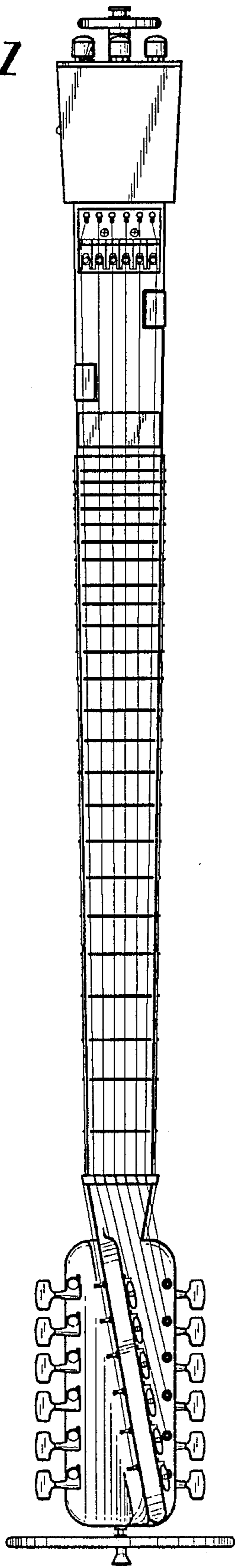


Fig. 2

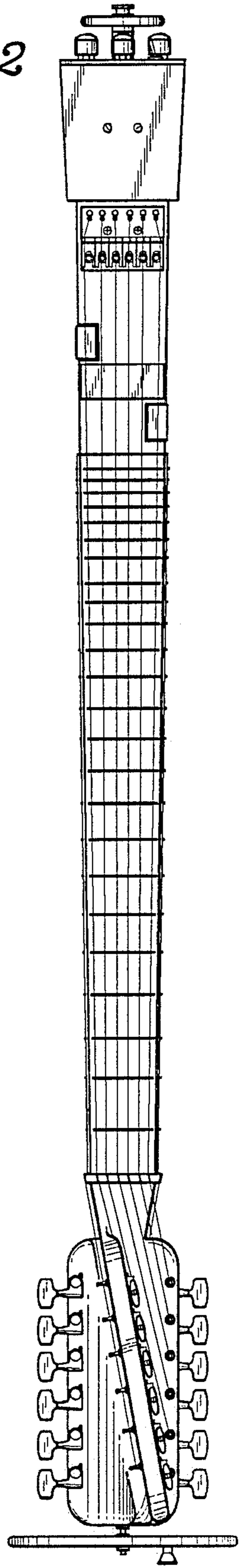


Fig. 3

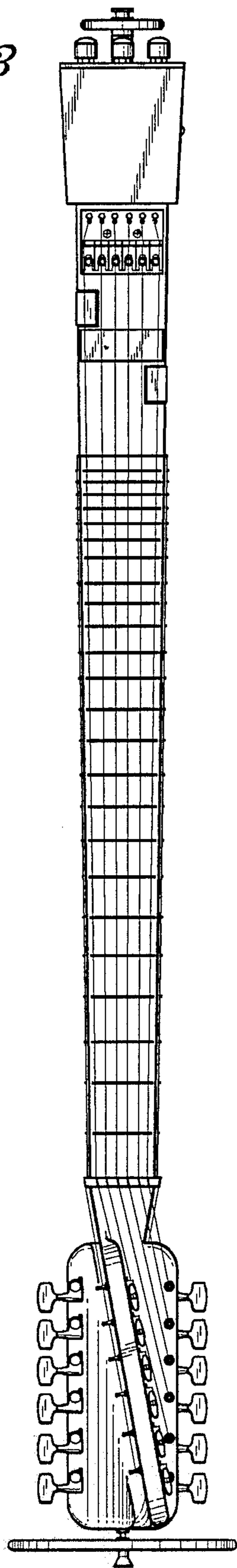
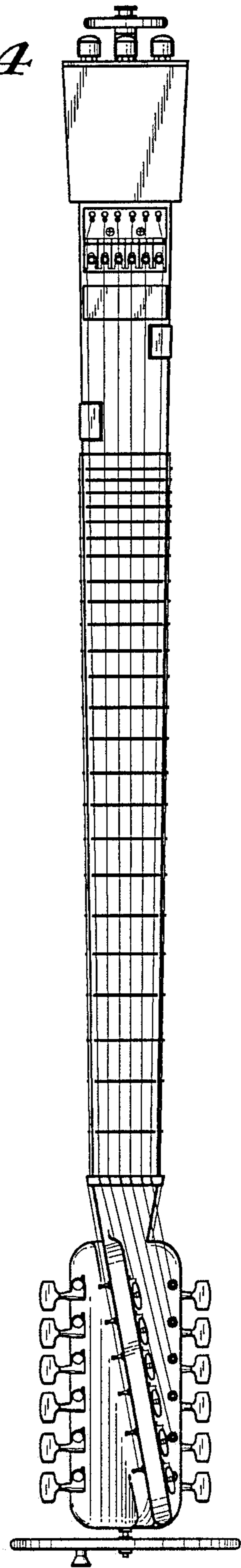


Fig. 4



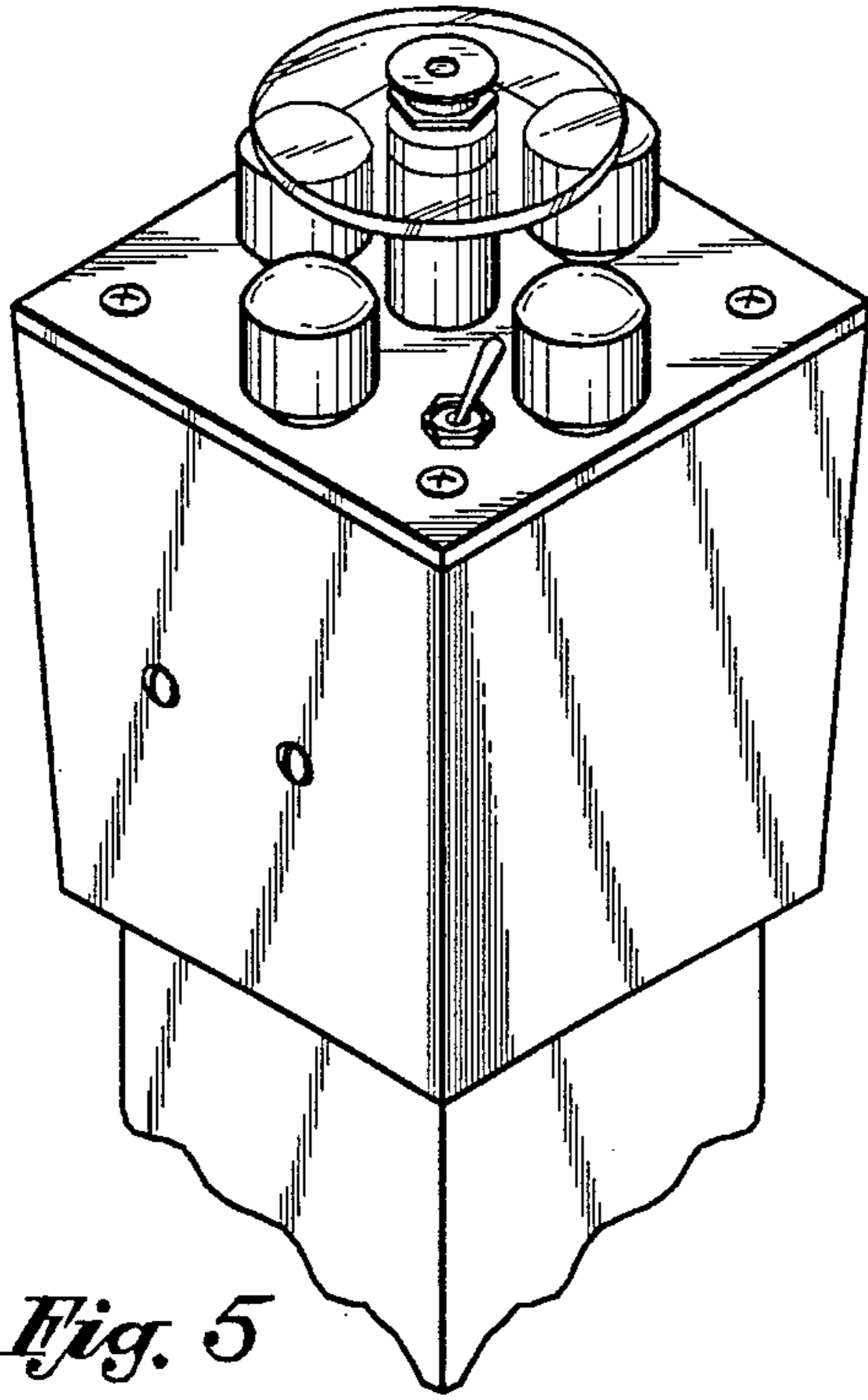


Fig. 5

Fig. 6

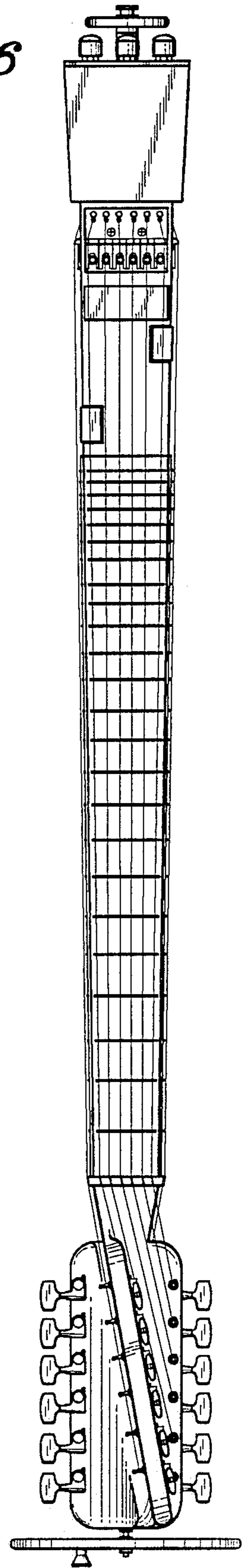


Fig. 7

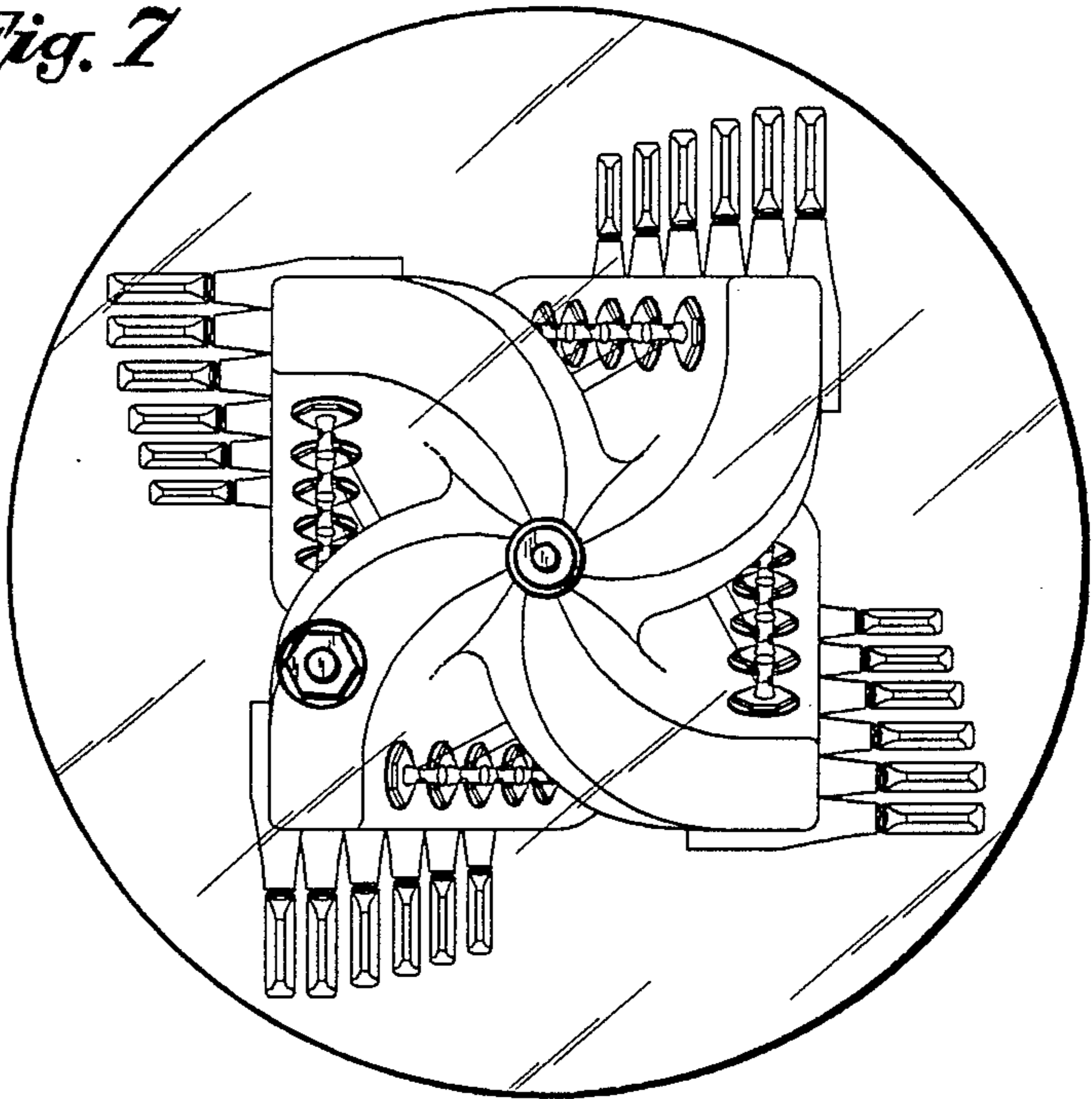


Fig. 8

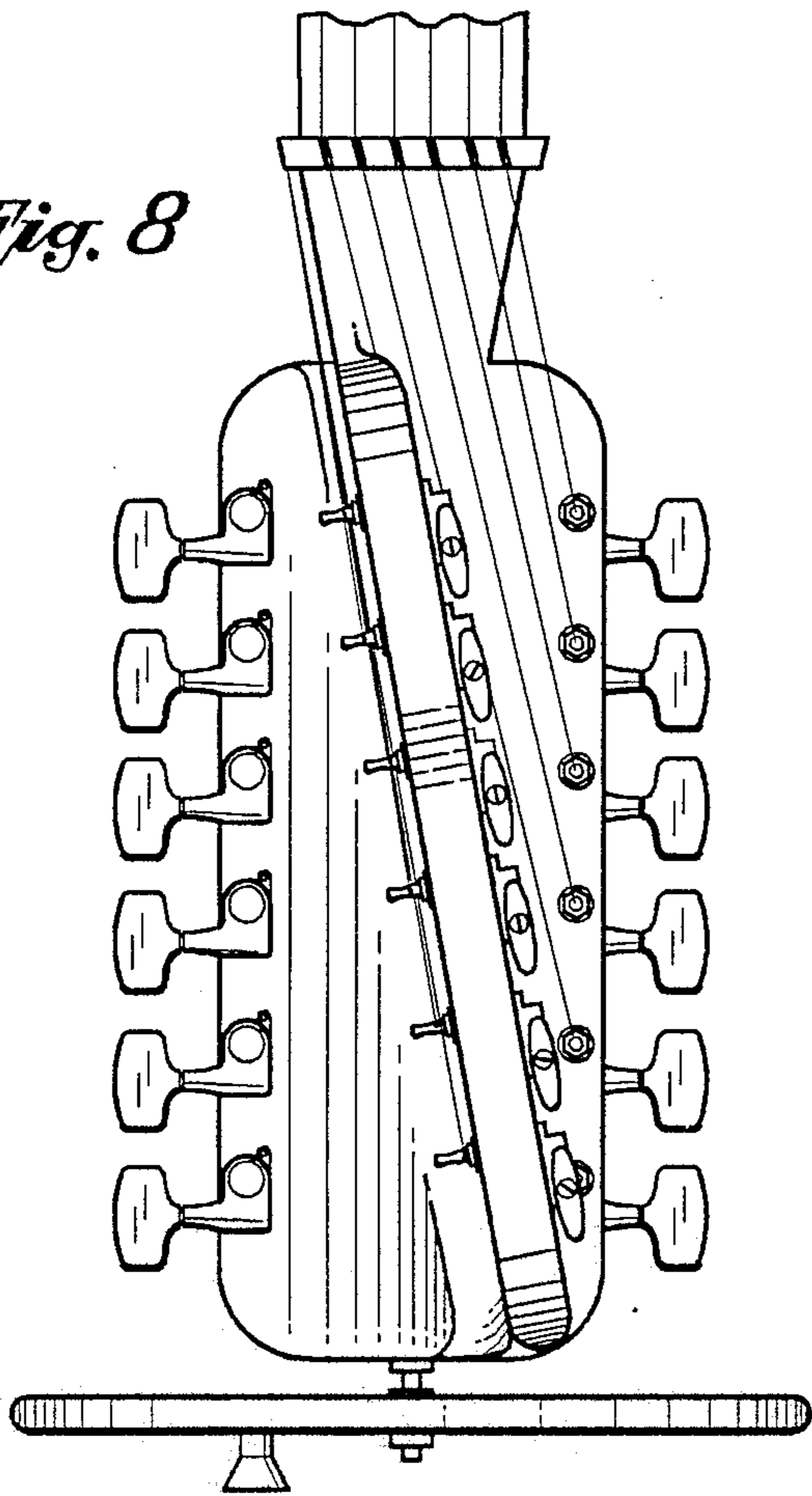


Fig. 9

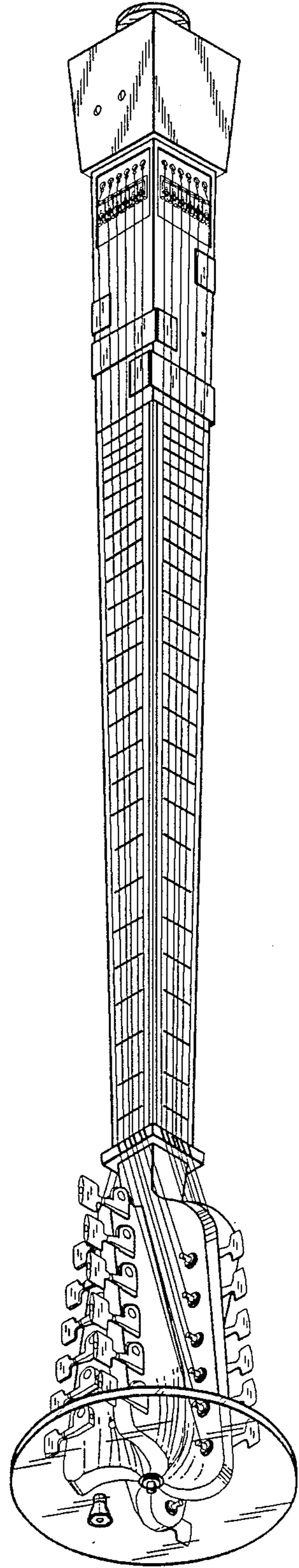
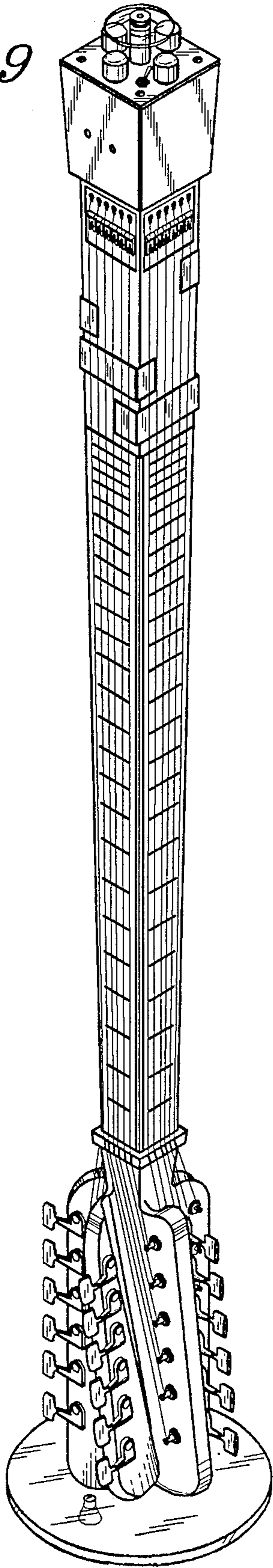


Fig. 10