

[54] CAMERA

D. 295,526	5/1988	Baba	D16/218
4,690,534	9/1987	Chen-Liang	354/288
4,746,945	5/1988	Chan	354/288

[75] Inventor: Jimmy Y. Chan, Kowloon, Hong Kong

[73] Assignee: 501 Achiever Industries Limited, Kowloon, Hong Kong

[**] Term: 14 Years

[21] Appl. No.: 97,076

[22] Filed: Sep. 14, 1987

[30] Foreign Application Priority Data

Mar. 25, 1987 [GB] United Kingdom 1041014

[52] U.S. Cl. D16/218; D16/200

[58] Field of Search D16/200, 208, 209, 211, D16/212, 218, 217, 219, 220; 354/219, 288

[56] References Cited

U.S. PATENT DOCUMENTS

D. 226,453	3/1973	Bundy	D16/203
D. 238,817	2/1976	Emmerling	D16/209
D. 287,976	1/1987	Nakazawa et al.	D16/211

OTHER PUBLICATIONS

Popular Photography, 12/84, p. 35.

Primary Examiner—Melvin B. Feifer

Assistant Examiner—Adir Aronovich

Attorney, Agent, or Firm—Haynes and Boone

[57] CLAIM

The ornamental design for a camera, as shown.

DESCRIPTION

FIG. 1 is a front elevational view of a camera showing my new design;

FIG. 2 is a rear elevational view thereof;

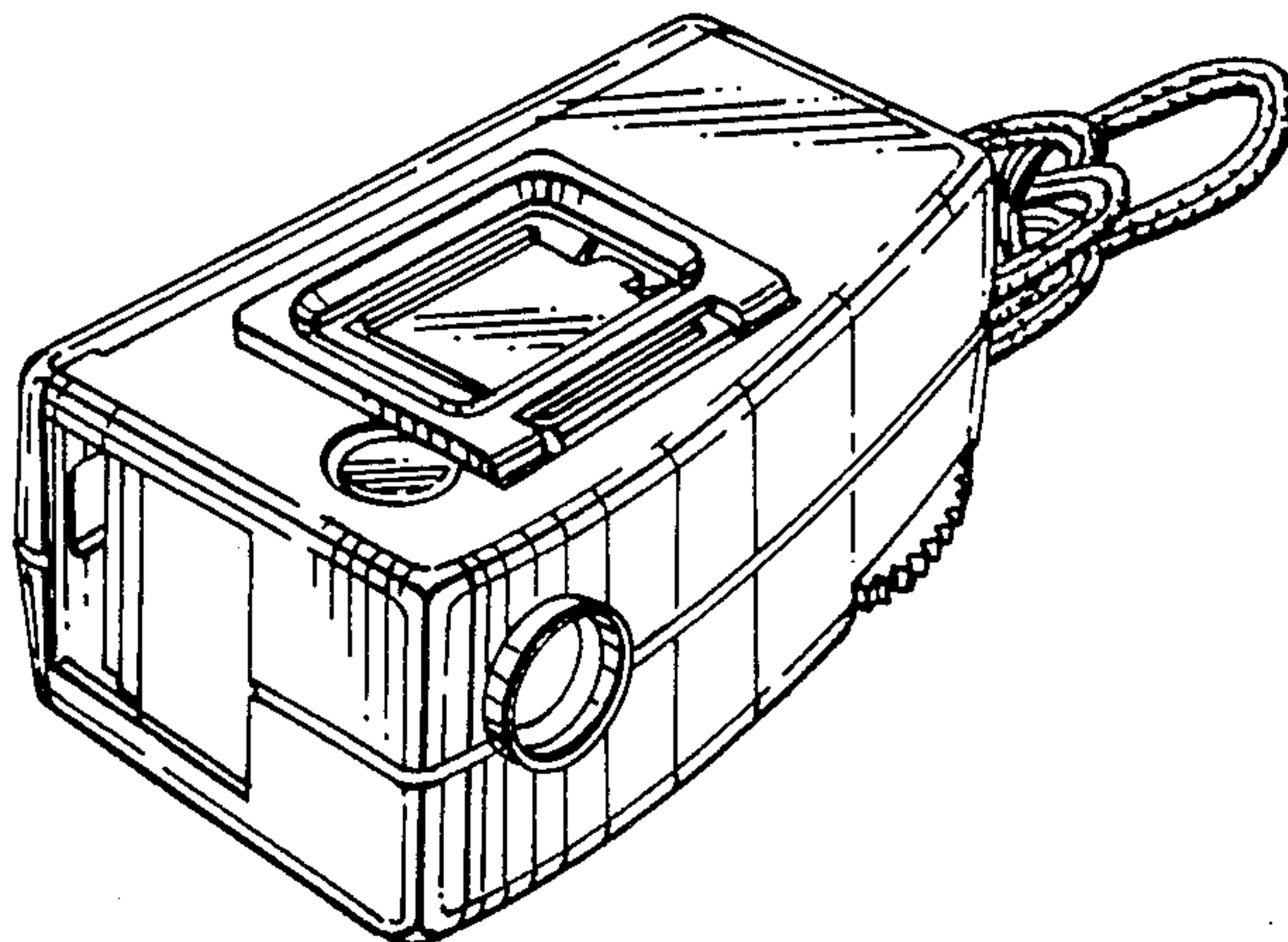
FIG. 3 is a right side elevational view thereof;

FIG. 4 is a left side elevational view thereof;

FIG. 5 is a top plan view thereof;

FIG. 6 is a bottom plan view thereof; and

FIG. 7 is a top, front perspective view with a view finder in a folded position.



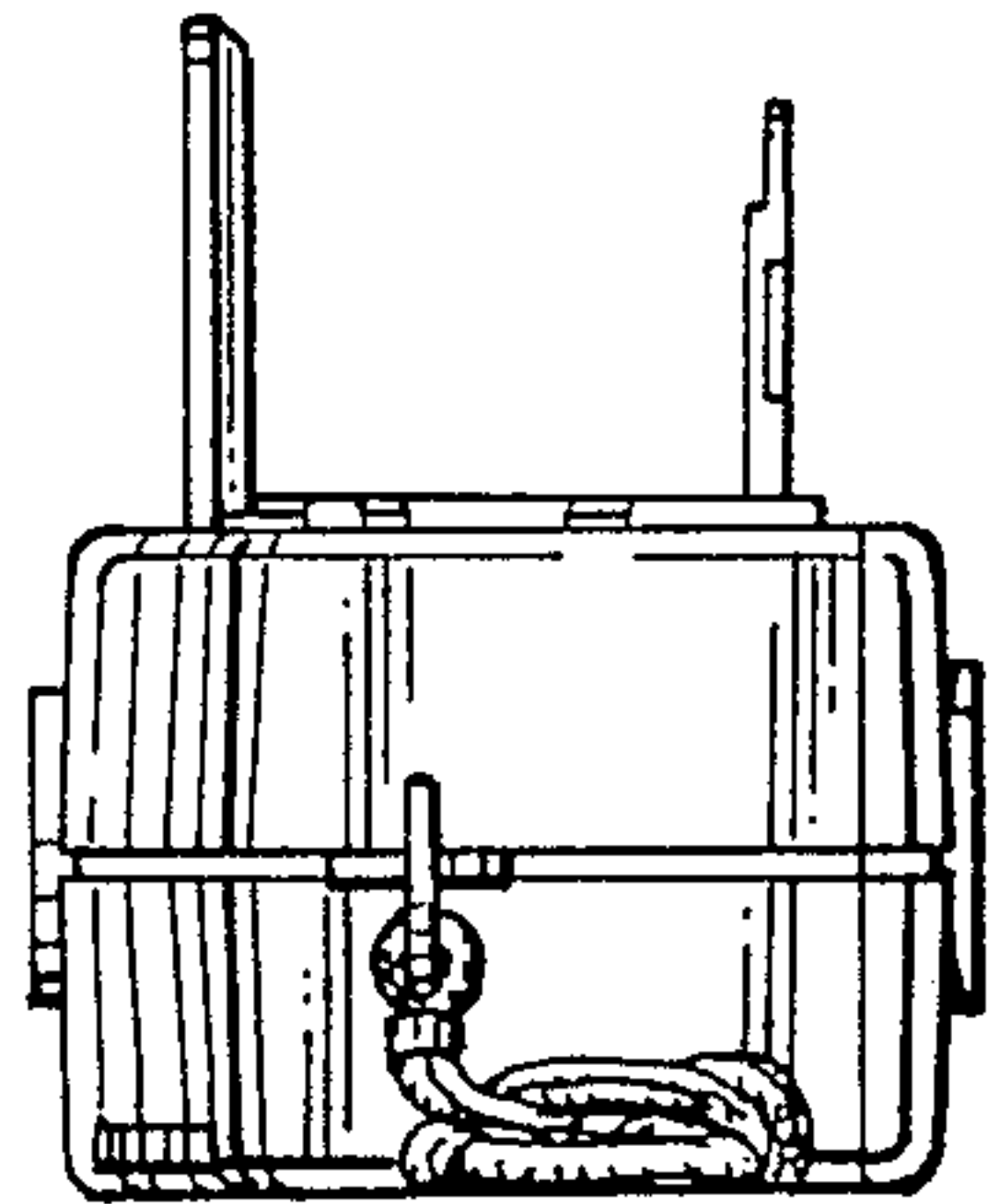
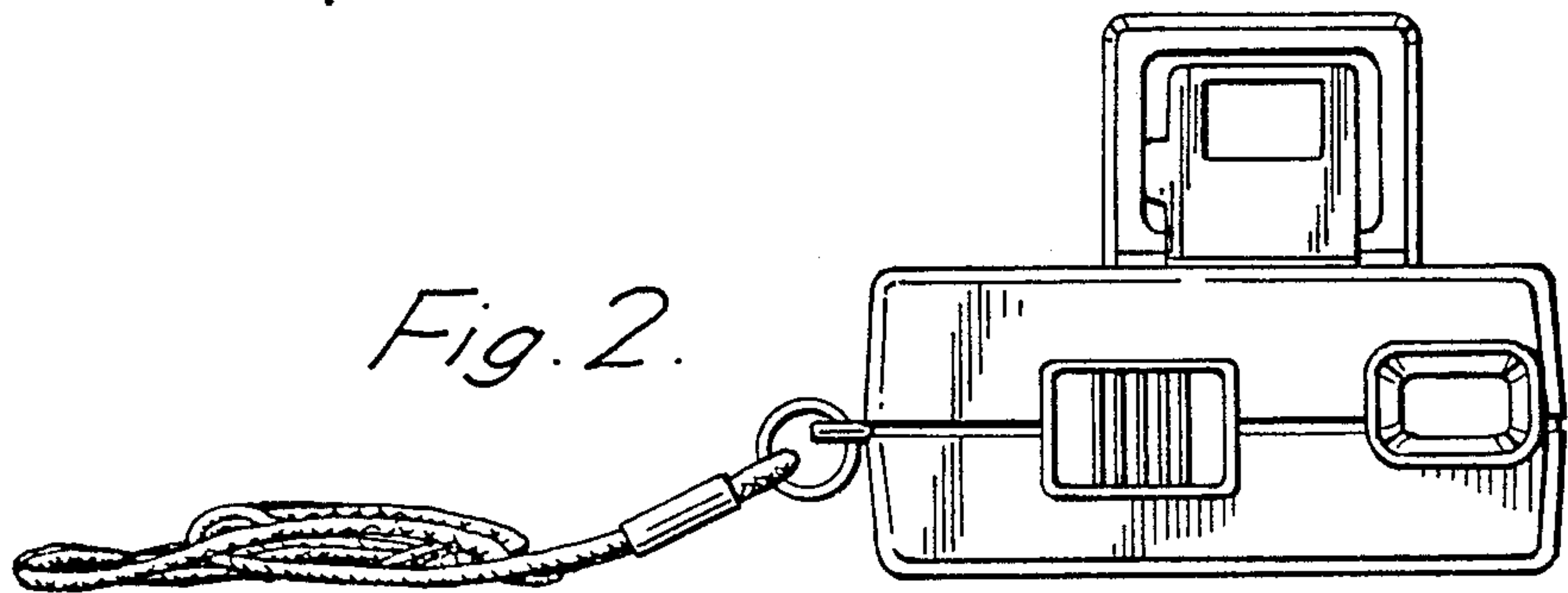
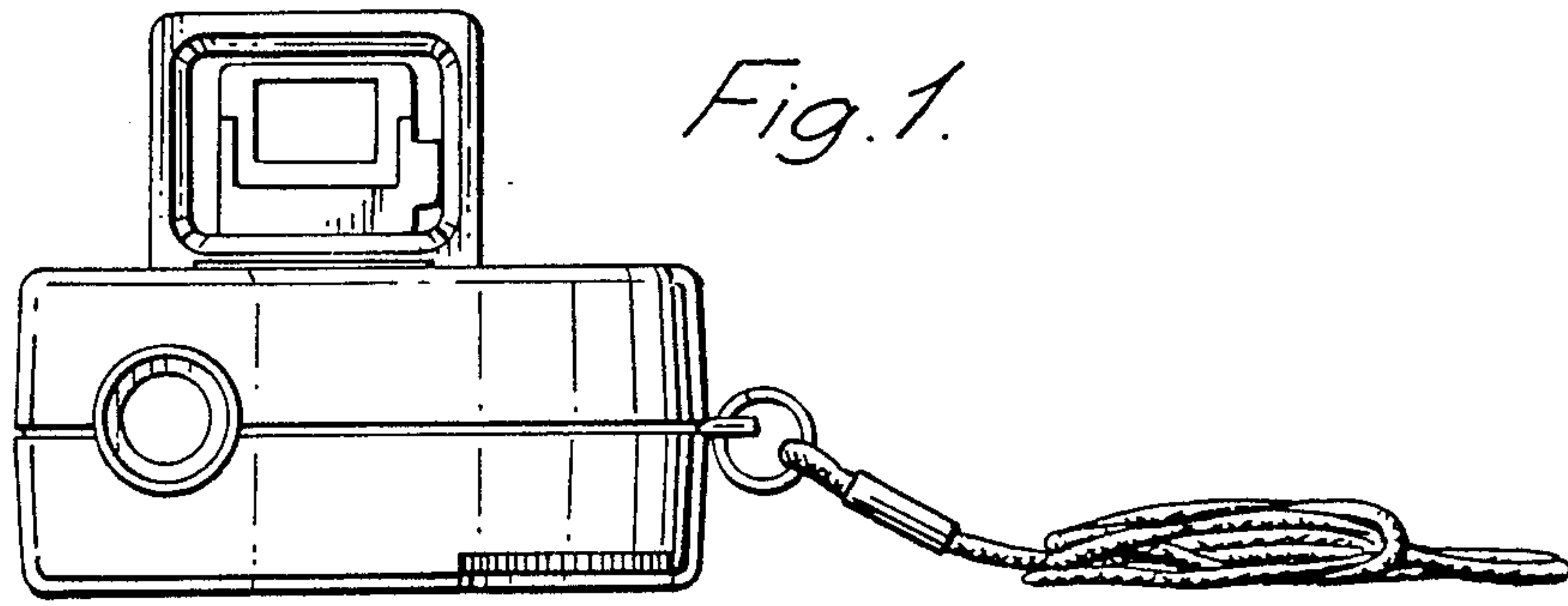
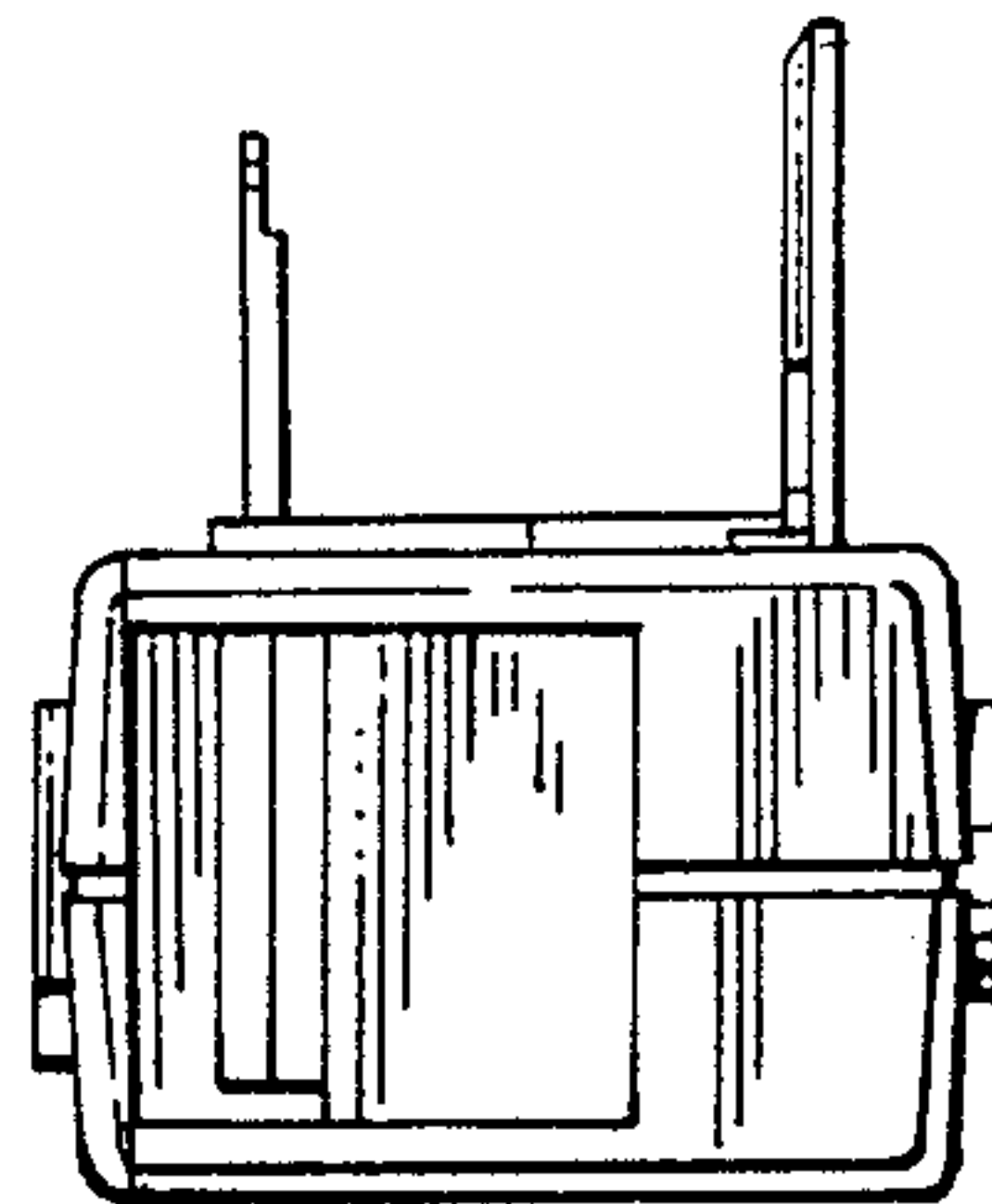


Fig. 4.



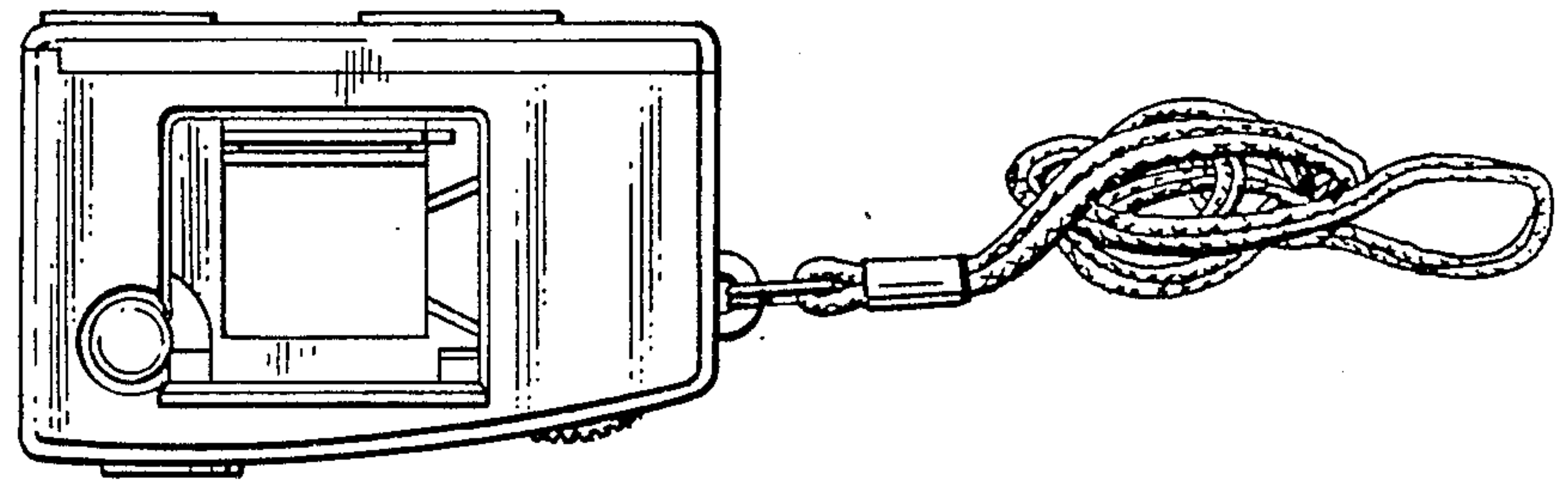


Fig. 5.

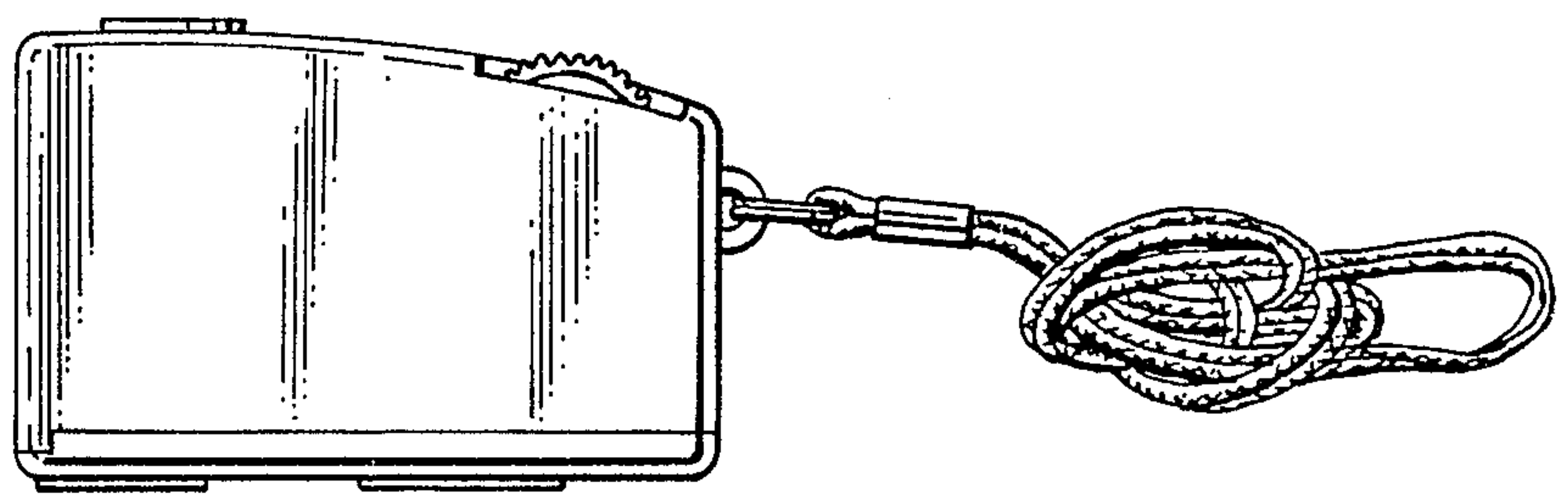


Fig. 6.

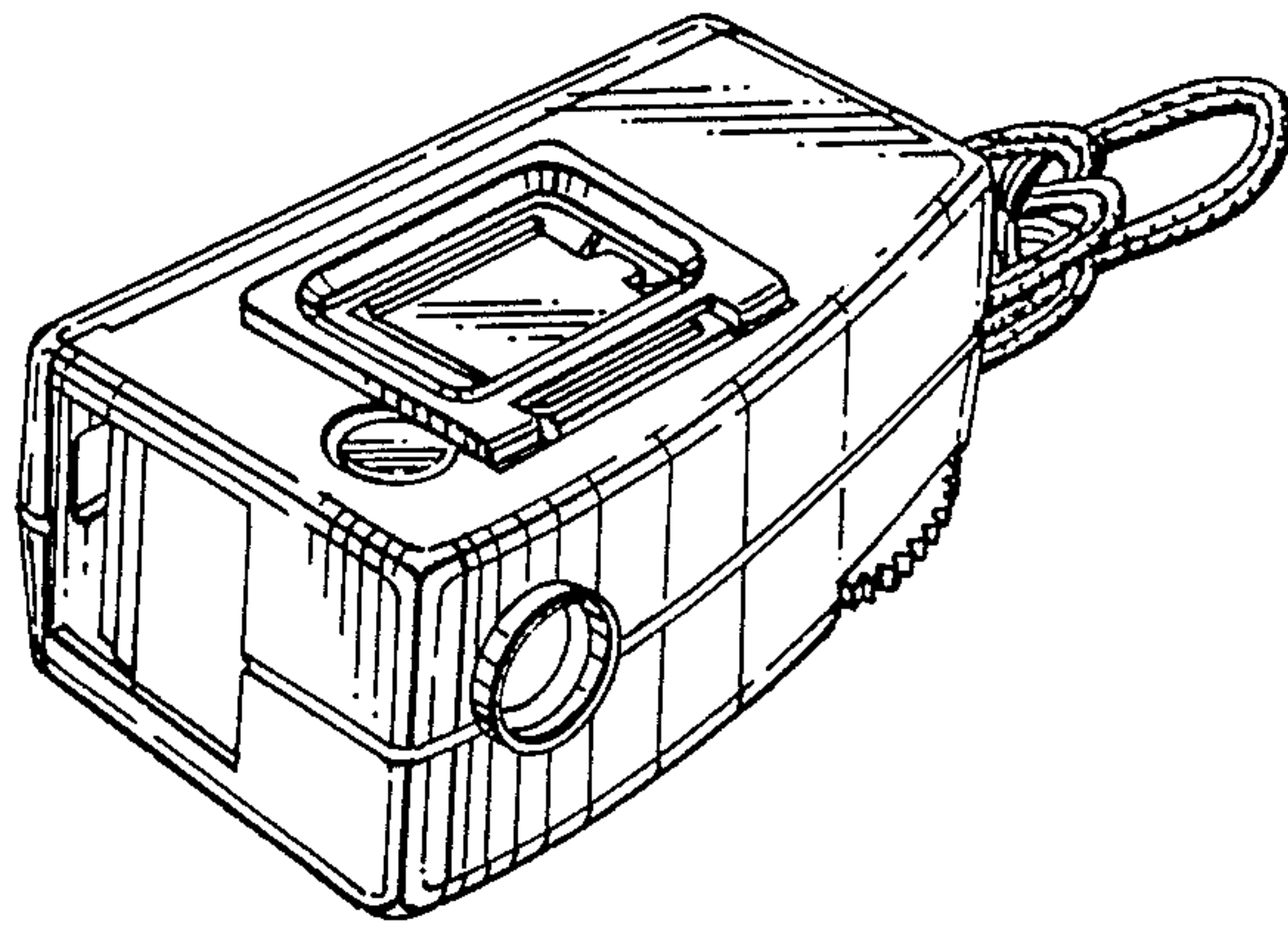


Fig. 7.