

[54] CUTTING TOOL HOLDER

[76] Inventor: Wlajko Mihic, Tegnervägen 9, Gävle S-802 28, Sweden

[**] Term: 14 Years

[21] Appl. No.: 888,189

[22] Filed: Jul. 21, 1986

[30] Foreign Application Priority Data

Jan. 29, 1986 [SE] Sweden 86-0221

[52] U.S. Cl. D15/140

[58] Field of Search D8/71, 98; D15/138, D15/139, 140

[56] References Cited

U.S. PATENT DOCUMENTS

D. 195,485 6/1963 Novkov D15/139

OTHER PUBLICATIONS

Morse Cutting Tools Division brochure; 2 pages; 1/23/1978; Carbide Cutting Tools.

Kennametal/81 Catalog; Metal Cutting Tools, ©1980, p. 83, Deep Grooving KGC Tool Holder.

Kennametal/81 Catalog; Metal Cutting Tools, ©1980, p. 87, center panel, Style KTF Tool Holder.

Carbology Systems Carb-O-Lock Toolholders, Boring Bars & Cartridges, p. 41, Style B Triangle Toolholder.

Carboly Systems Carb-O-Lock Toolholders, Boring Bars & Cartridges, 10/30/1984, p. 57, top panel, Style LKR (lower inset panel) Toolholder.

Primary Examiner—Winifred E. Herrmann

Assistant Examiner—John Warchol

Attorney, Agent, or Firm—Beveridge, DeGrandi & Weilacher

[57] CLAIM

The ornamental design for a cutting tool holder, as shown and described.

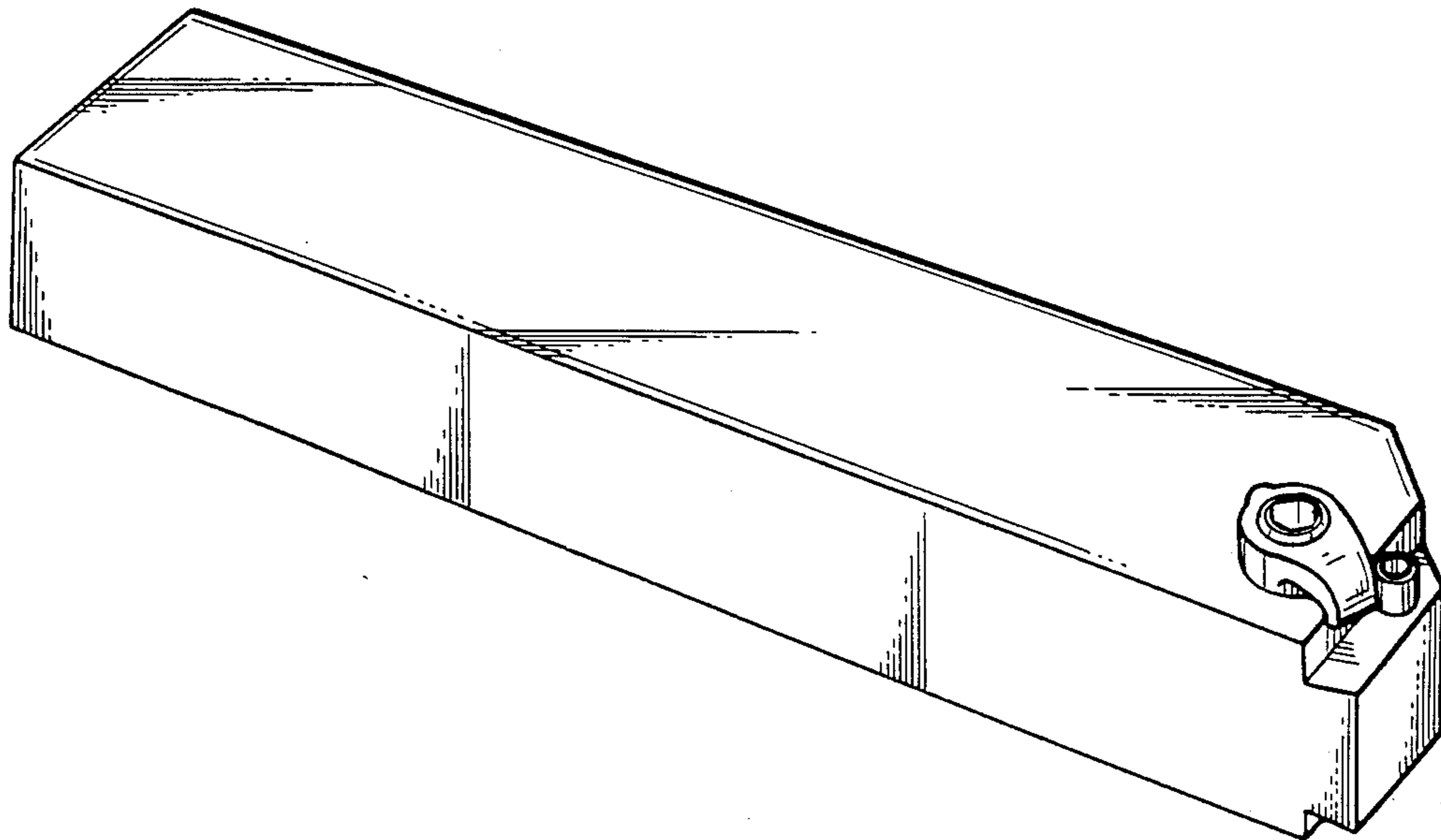
DESCRIPTION

FIG. 1 is a top, front, and left side perspective view of a cutting tool holder showing my new design;

FIG. 2 is a top, front, and right side perspective view thereof;

FIG. 3 is a bottom, front, and left side perspective view thereof.

The rear end view is flat and unornamented.



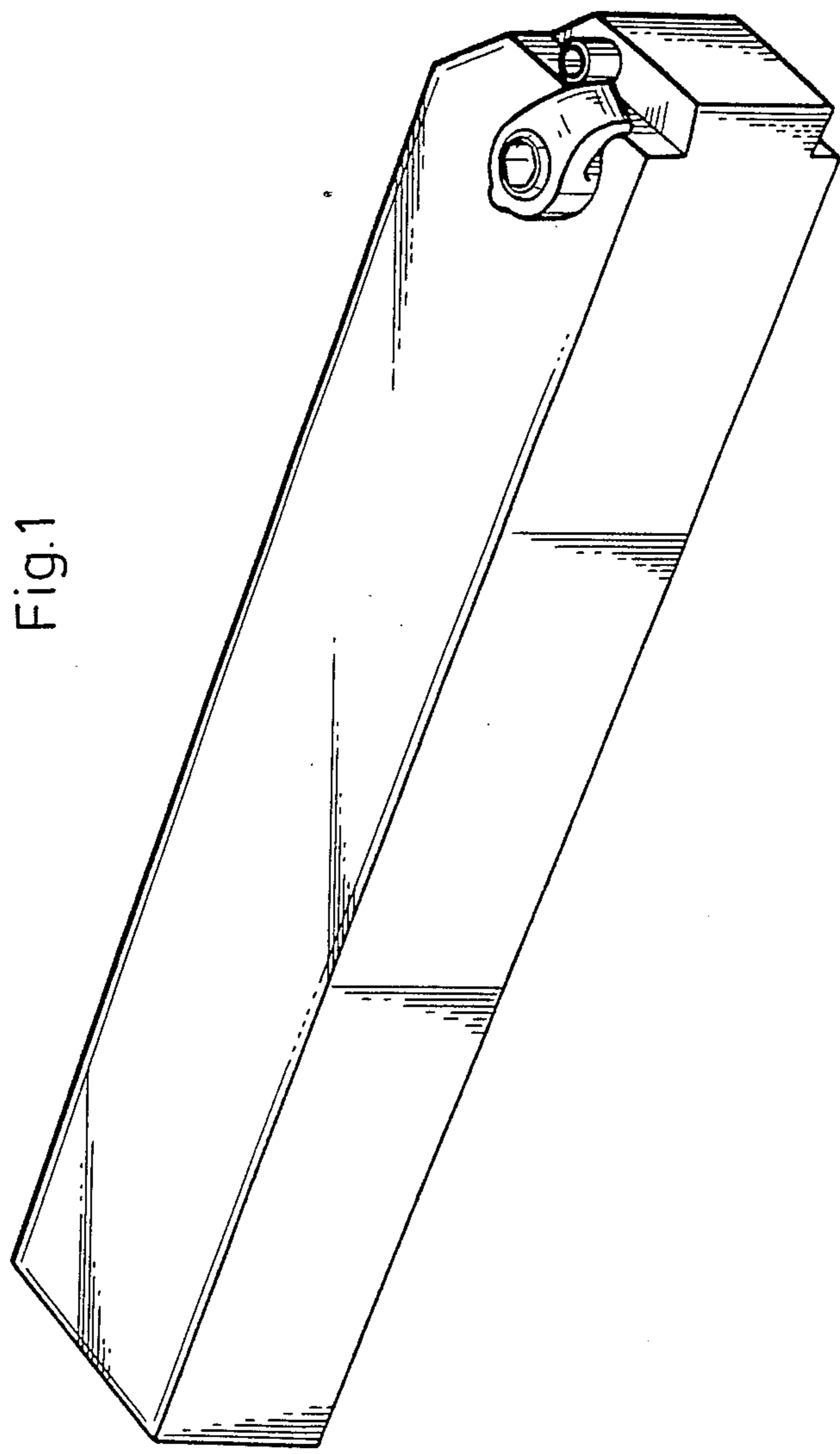


Fig.1

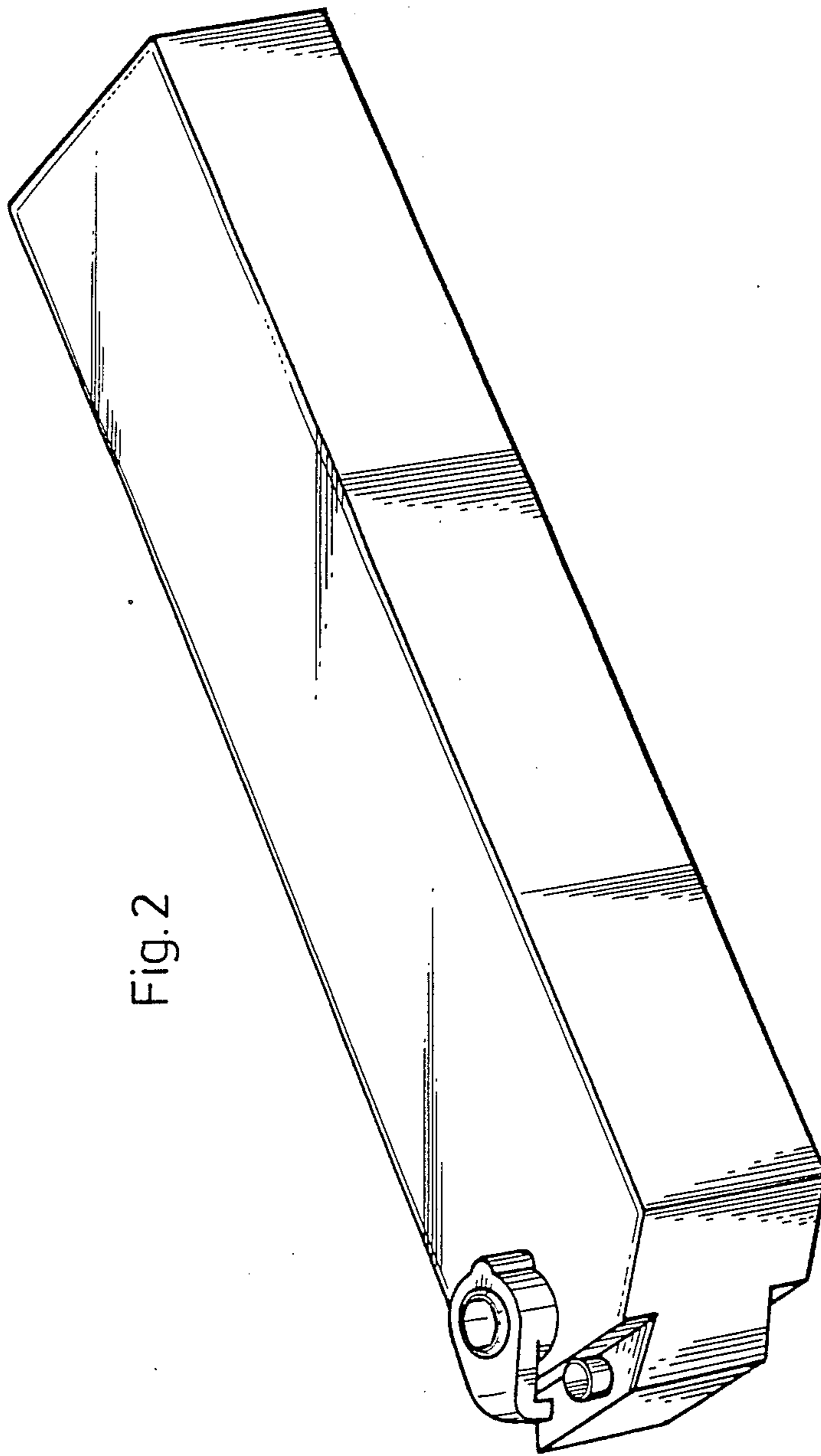


Fig. 2

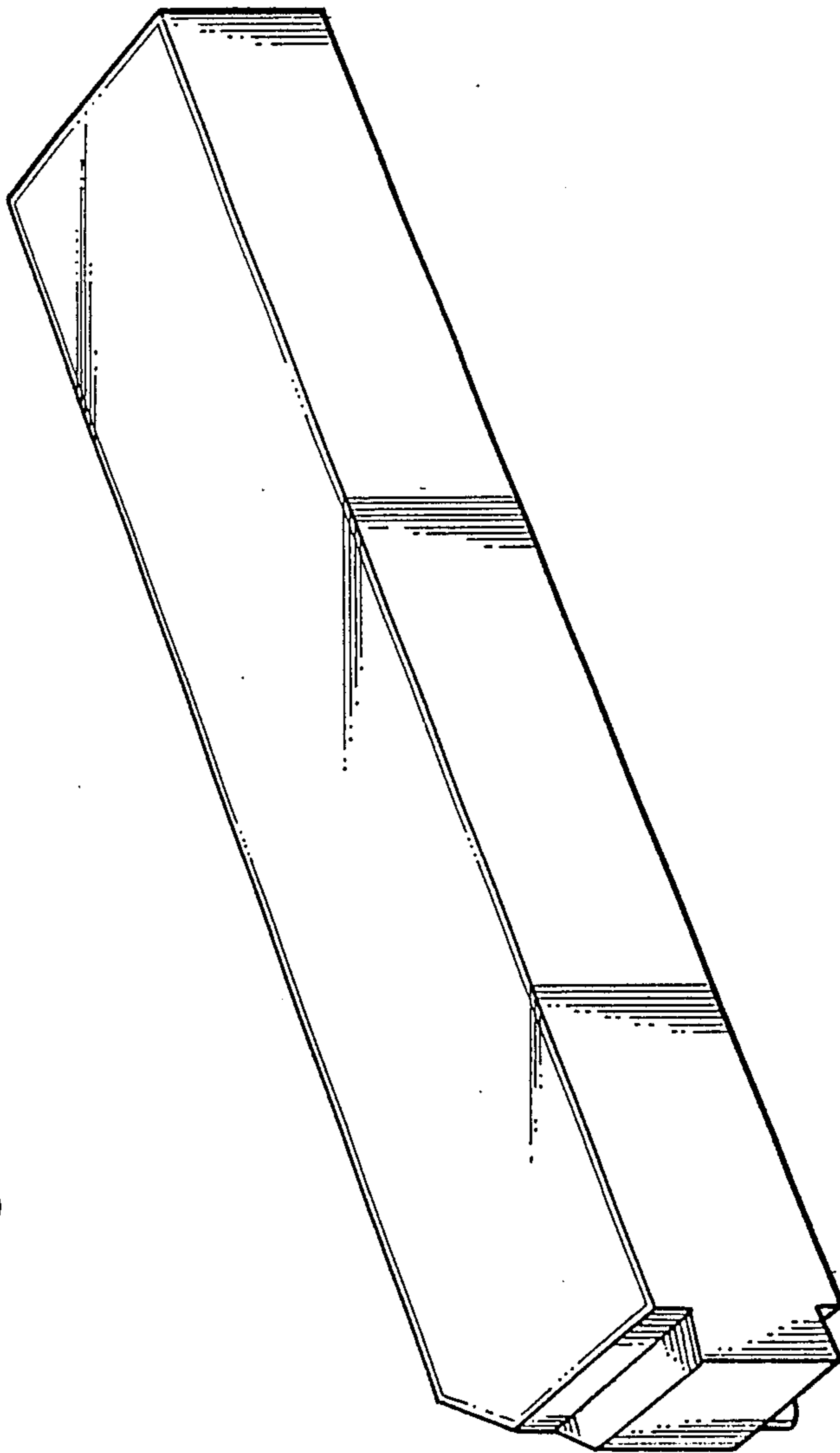


Fig. 3