

United States Patent [19]

Ramsey

[11] Patent Number: Des. 311,746

[45] Date of Patent: ** Oct. 30, 1990

[54] SEWING MACHINE

[75] Inventor: Roger Ramsey, Copley, Ohio

[73] Assignee: Fritz Gegauf Aktiengesellschaft
Bernina-Nähmaschinenfabrik,
Steckborn, Switzerland

[**] Term: 14 Years

[21] Appl. No.: 879,183

[22] Filed: Jun. 26, 1986

[52] U.S. Cl. D15/69

[58] Field of Search D15/66, 68-76;
112/63, 258-261

[56] **References Cited**

U.S. PATENT DOCUMENTS

- D. 249,693 9/1978 Kasahara et al. D15/68
- D. 270,913 10/1983 Kosugi D15/69

- D. 274,435 6/1984 Hanyu D15/68
- D. 276,163 10/1984 Ramsey et al. D15/69
- D. 290,011 5/1987 Shibayama D15/68

Primary Examiner—A. Hugo Word
Assistant Examiner—Ruth McInroy

[57] **CLAIM**

The ornamental design for a sewing machine, as shown.

DESCRIPTION

FIG. 1 is a top, front and left side perspective view of a sewing machine showing my new design;
FIG. 2 is a top plan view thereof;
FIG. 3 is a right side elevational view thereof;
FIG. 4 is a left side elevational view thereof;
FIG. 5 is a front elevational view thereof;
FIG. 6 is a rear elevational view thereof; and
FIG. 7 is a top, rear and right side perspective view thereof.

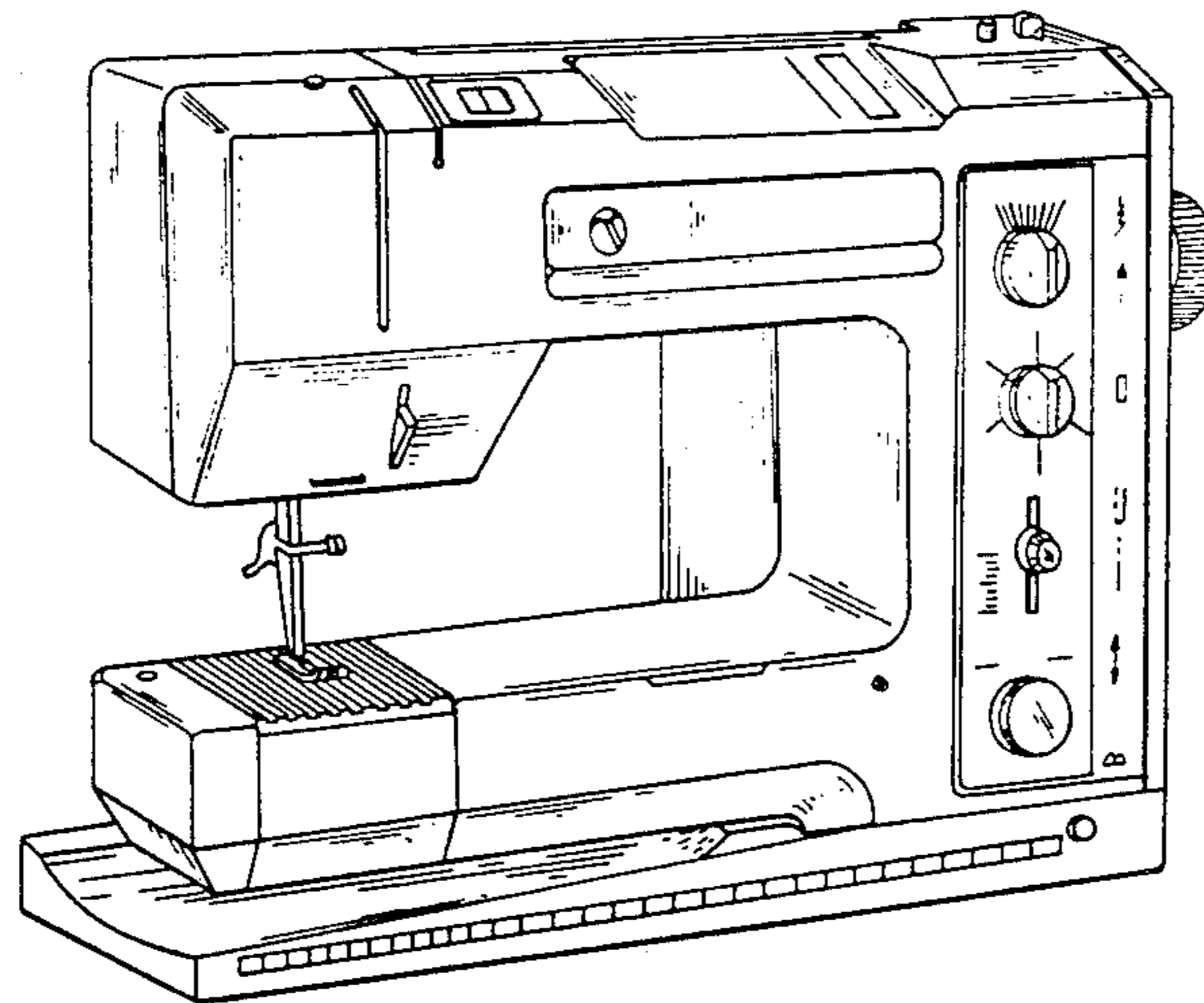


FIG. 1

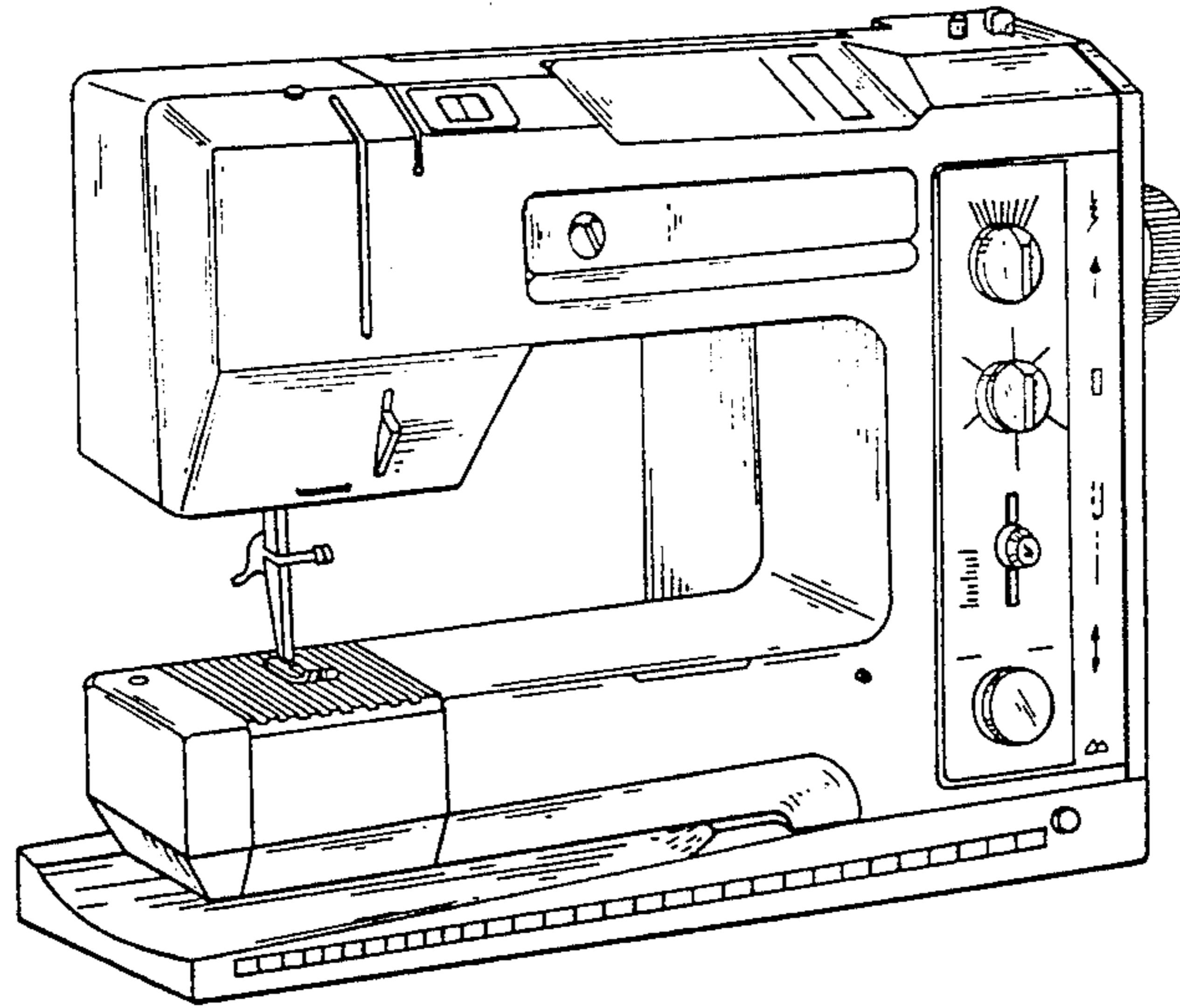


FIG. 2

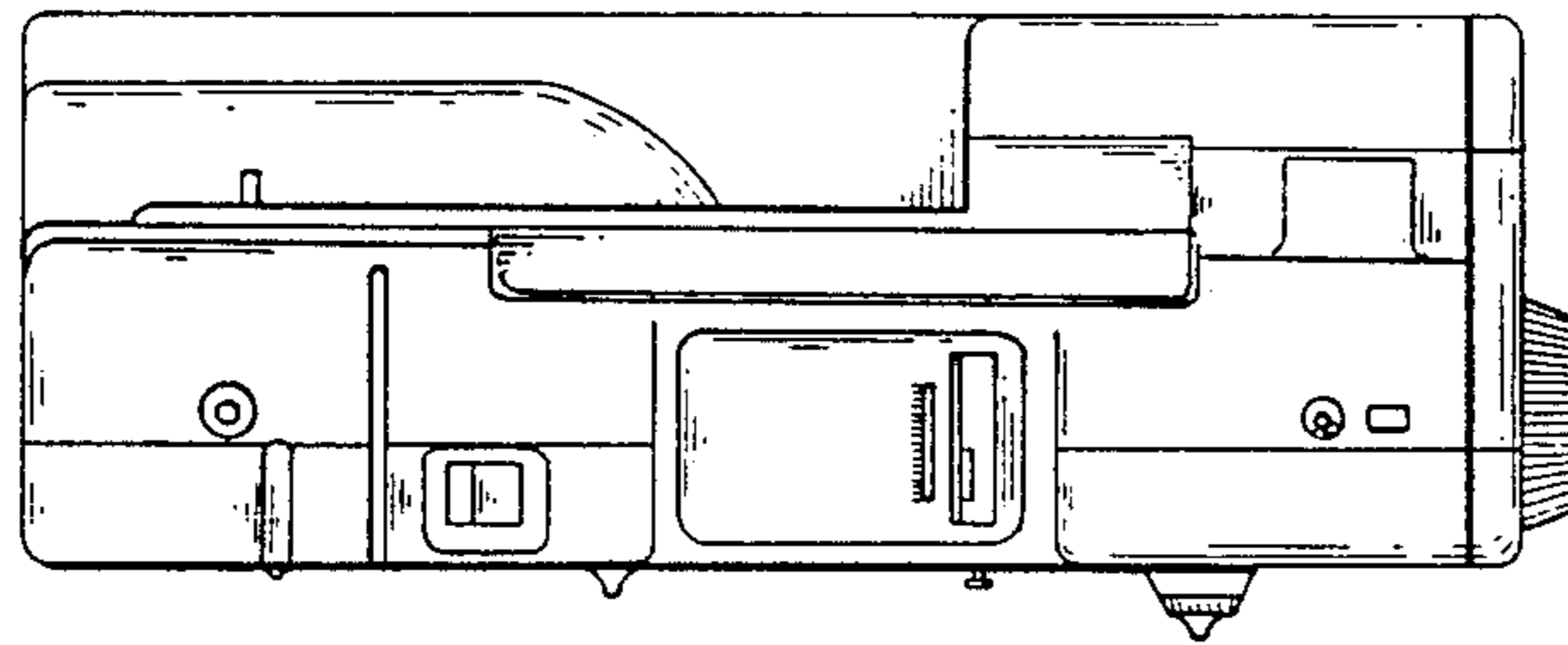


FIG. 3

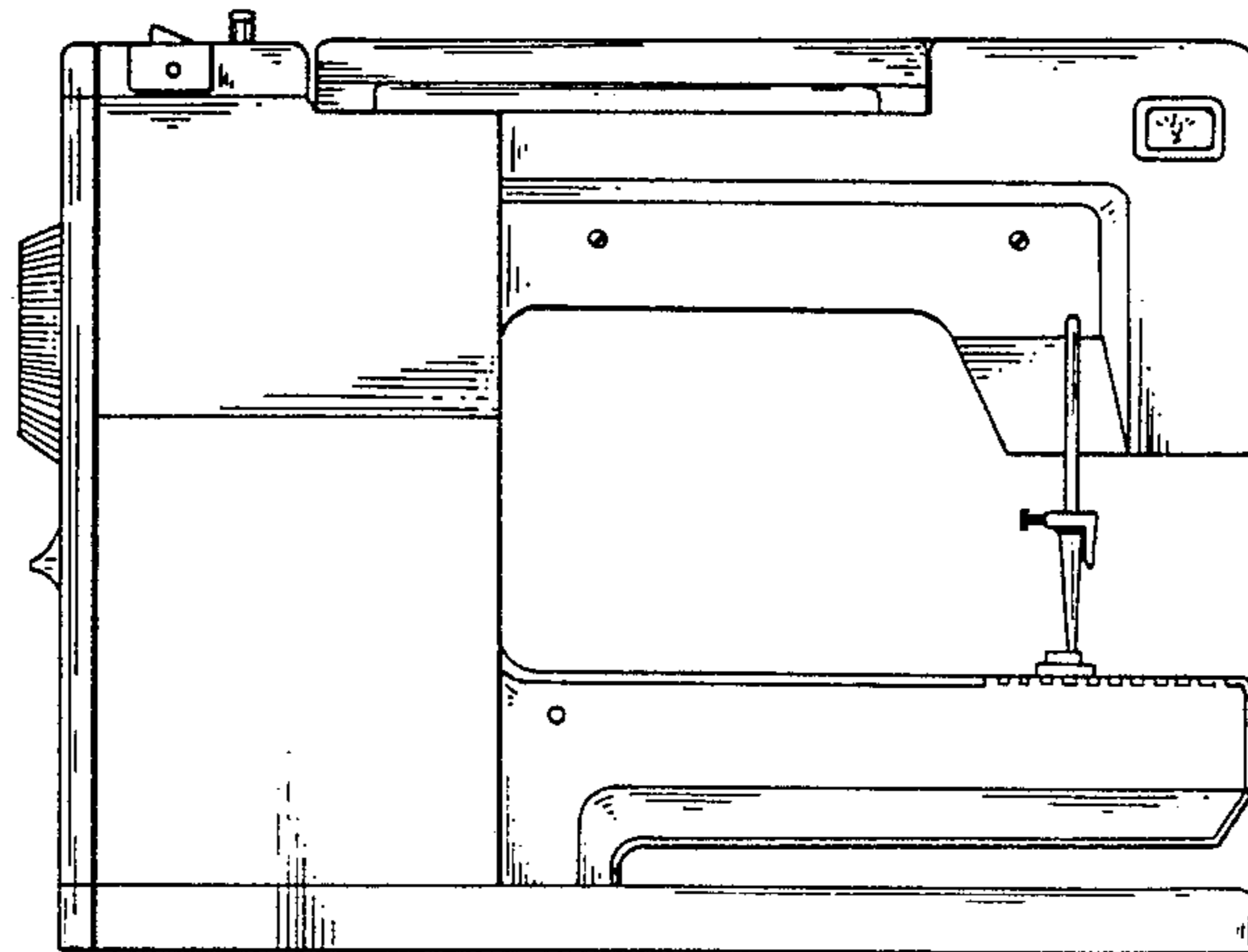


FIG. 4

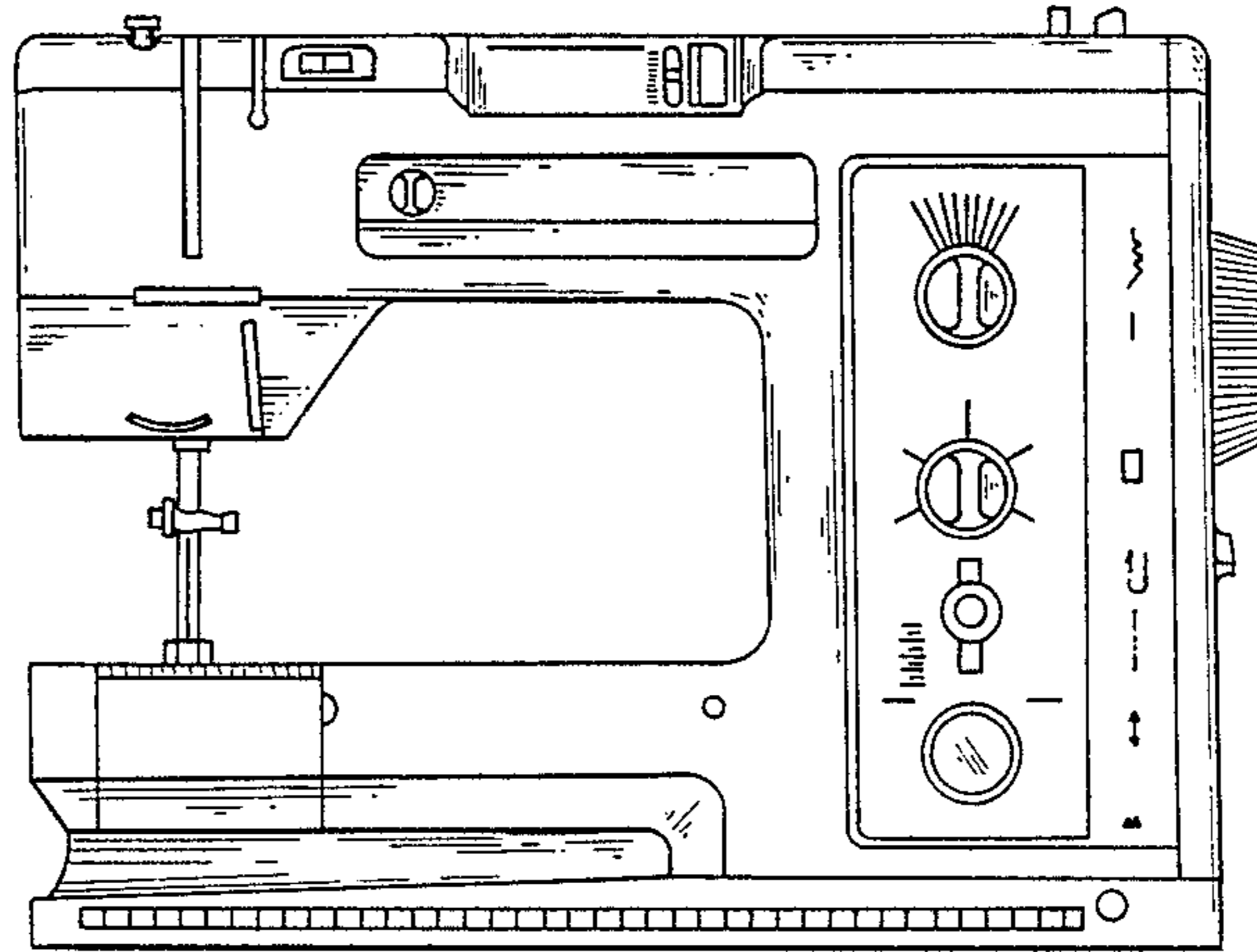


FIG. 5

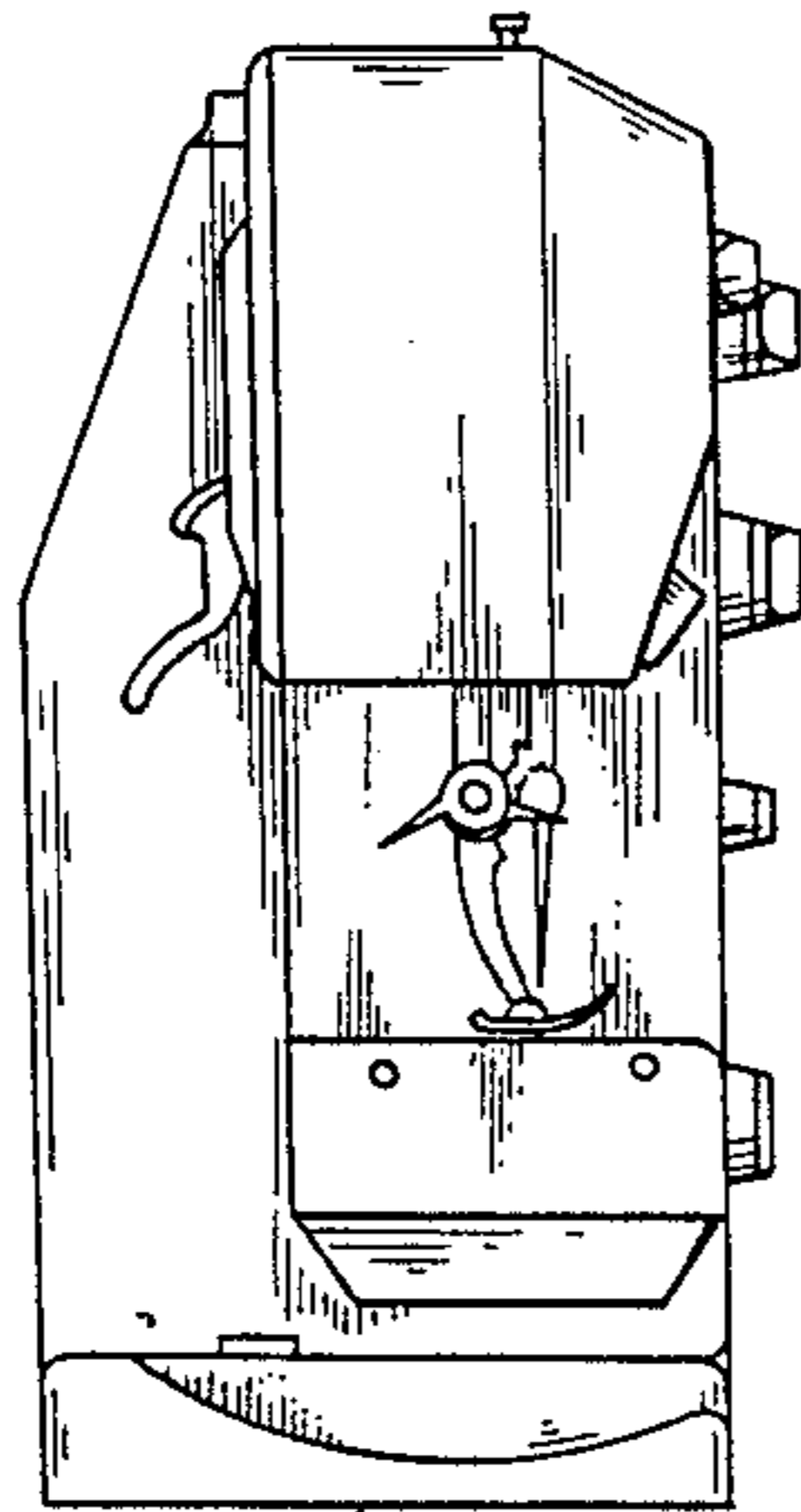


FIG. 6

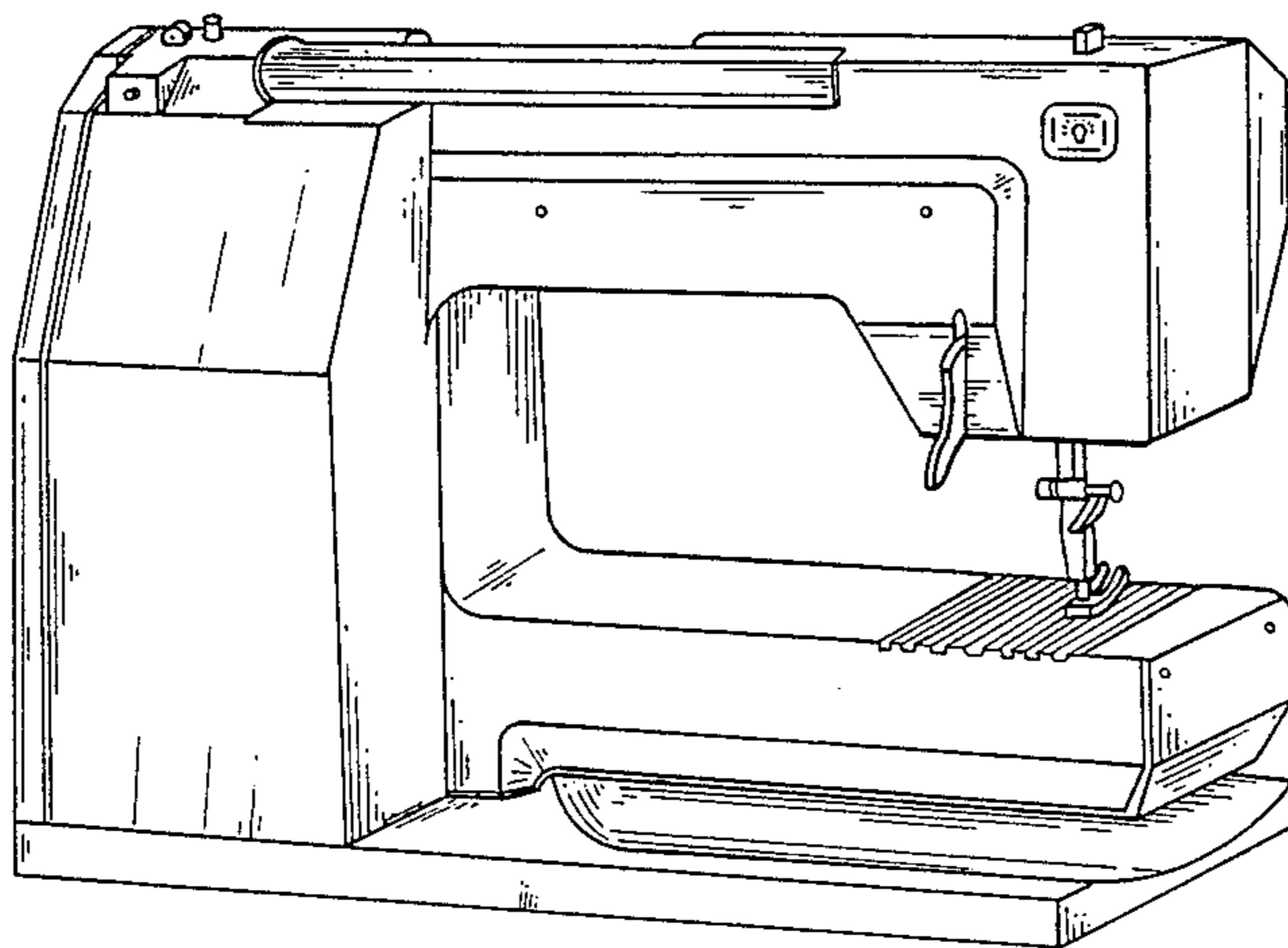
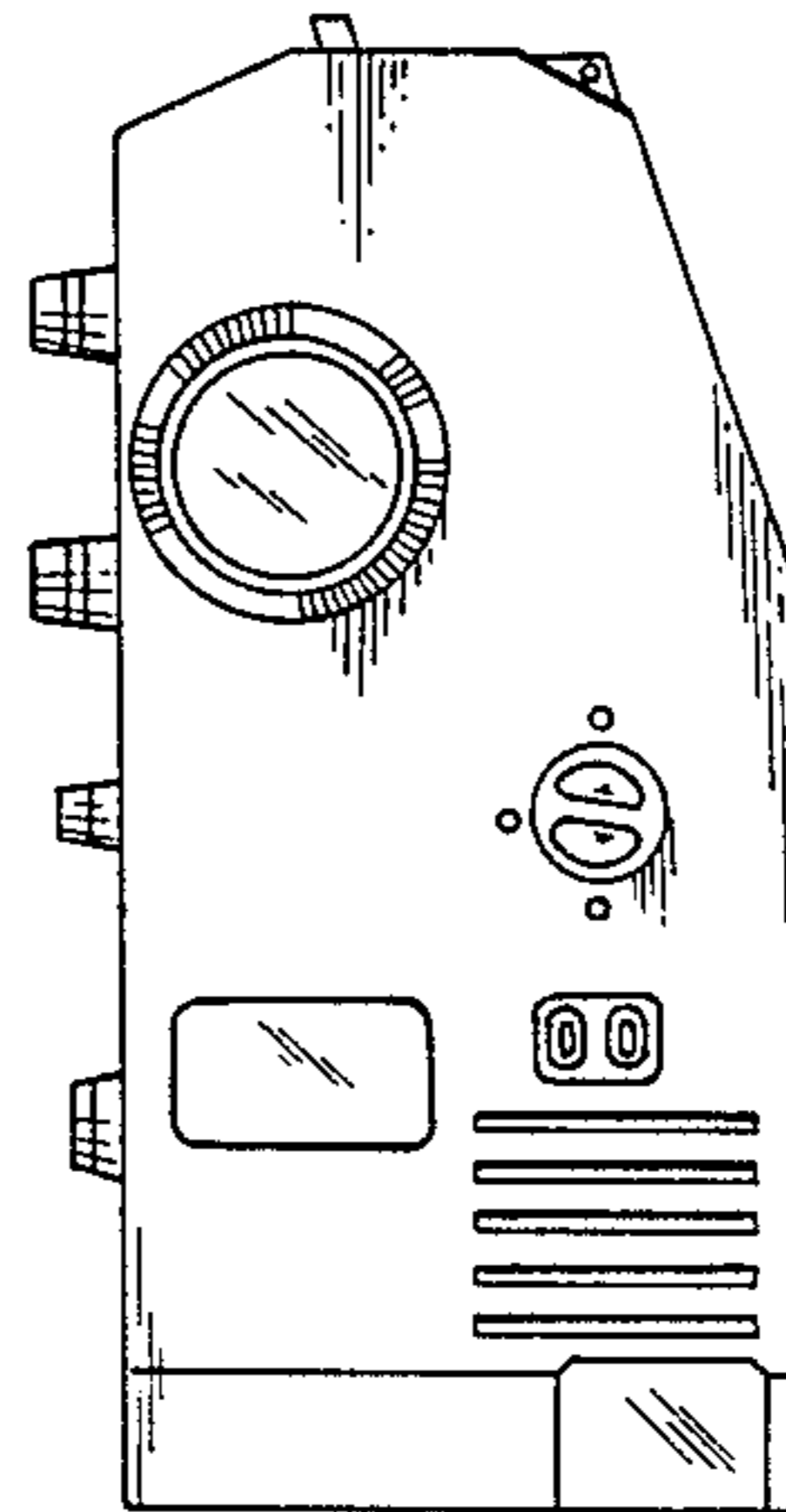


FIG. 7