

[54] FLAT-BED KNITTING MACHINE

[75] Inventor: Rudolf Wieland, Filderstadt, Fed. Rep. of Germany

[73] Assignee: H. Stoll GmbH & Co., Reutlingen, Fed. Rep. of Germany

[**] Term: 14 Years

[21] Appl. No.: 94,632

[22] Filed: Sep. 9, 1987

[52] U.S. Cl. D15/66

[58] Field of Search D15/66, 67; 66/60 R, 66/62, 64, 82 R, 125

[56] References Cited

U.S. PATENT DOCUMENTS

D. 233,683	11/1974	Current	D15/66
D. 233,684	11/1974	Current	D15/66
D. 246,244	11/1977	Current et al.	D15/66
D. 247,900	5/1978	Current	D15/66
4,679,413	7/1987	Muller et al.	66/125
4,680,946	7/1987	Muller et al.	66/64
4,703,630	11/1987	Goller et al.	66/64
4,711,101	12/1987	Goller et al.	66/64
4,724,685	2/1988	Stoll et al.	66/64
4,773,236	9/1988	Ploppa et al.	66/75.1

Primary Examiner—A. Hugo Word
Assistant Examiner—Ruth McInroy
Attorney, Agent, or Firm—Jones, Tullar & Cooper

[57] CLAIM

The ornamental design for a flat-bed knitting machine, as shown and described.

DESCRIPTION

FIG. 1 is a front perspective view of a flat bed knitting machine showing my new design;
FIG. 2 is a left side elevational view thereof;
FIG. 3 is a right side elevational view thereof;
FIG. 4 is a rear elevational view thereof;
FIG. 5 is a top plan view thereof;
FIG. 6 is a left side perspective view thereof;
FIG. 7 is an enlarged partial front perspective view thereof;
FIG. 8 is an enlarged partial left side perspective view thereof;
FIG. 9 is an enlarged partial view of the carriage unit; and
FIG. 10 is a partial right side perspective view thereof, with the protective cover opened.
FIGS. 7-10 are shown in partial view for clarity of illustration.

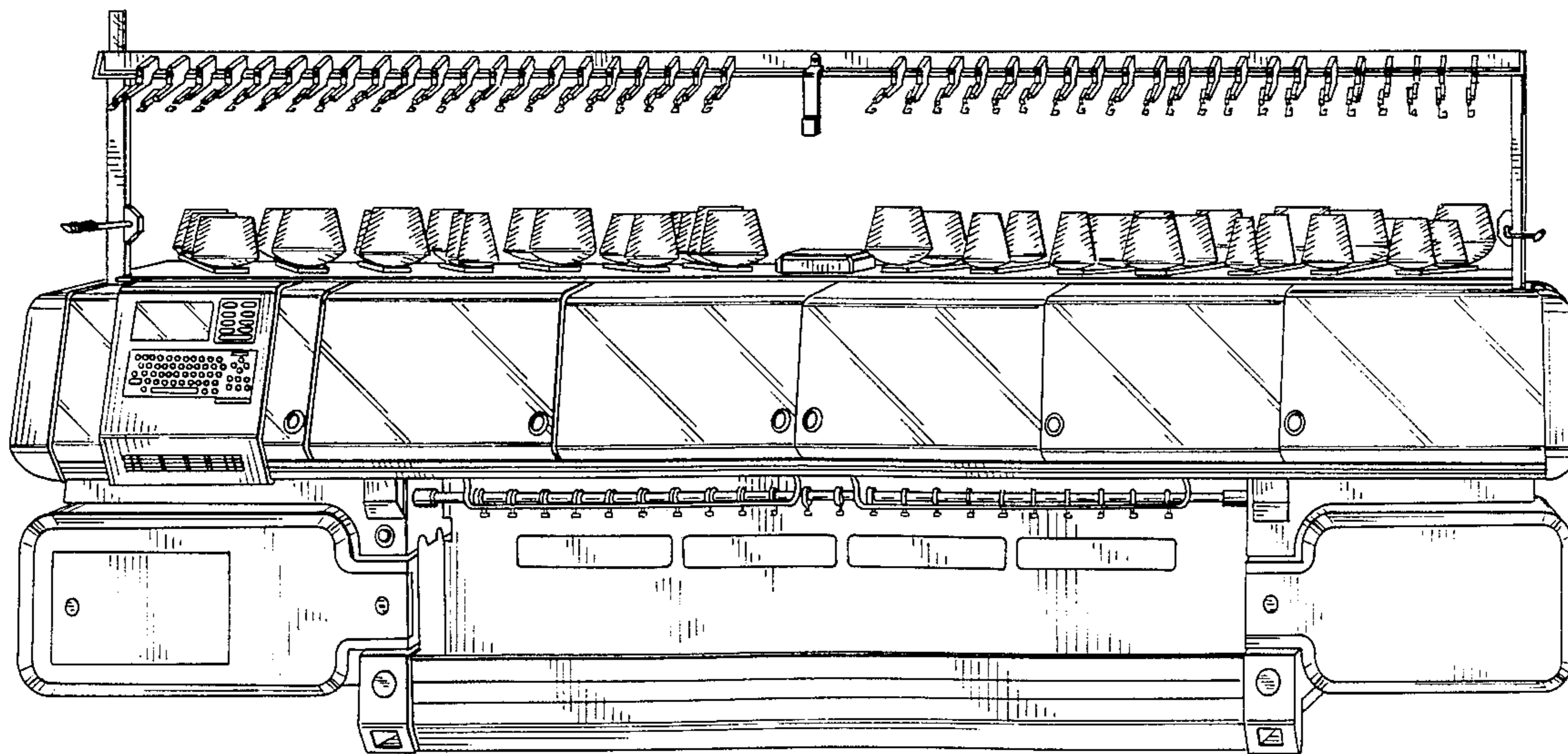


FIG. 1

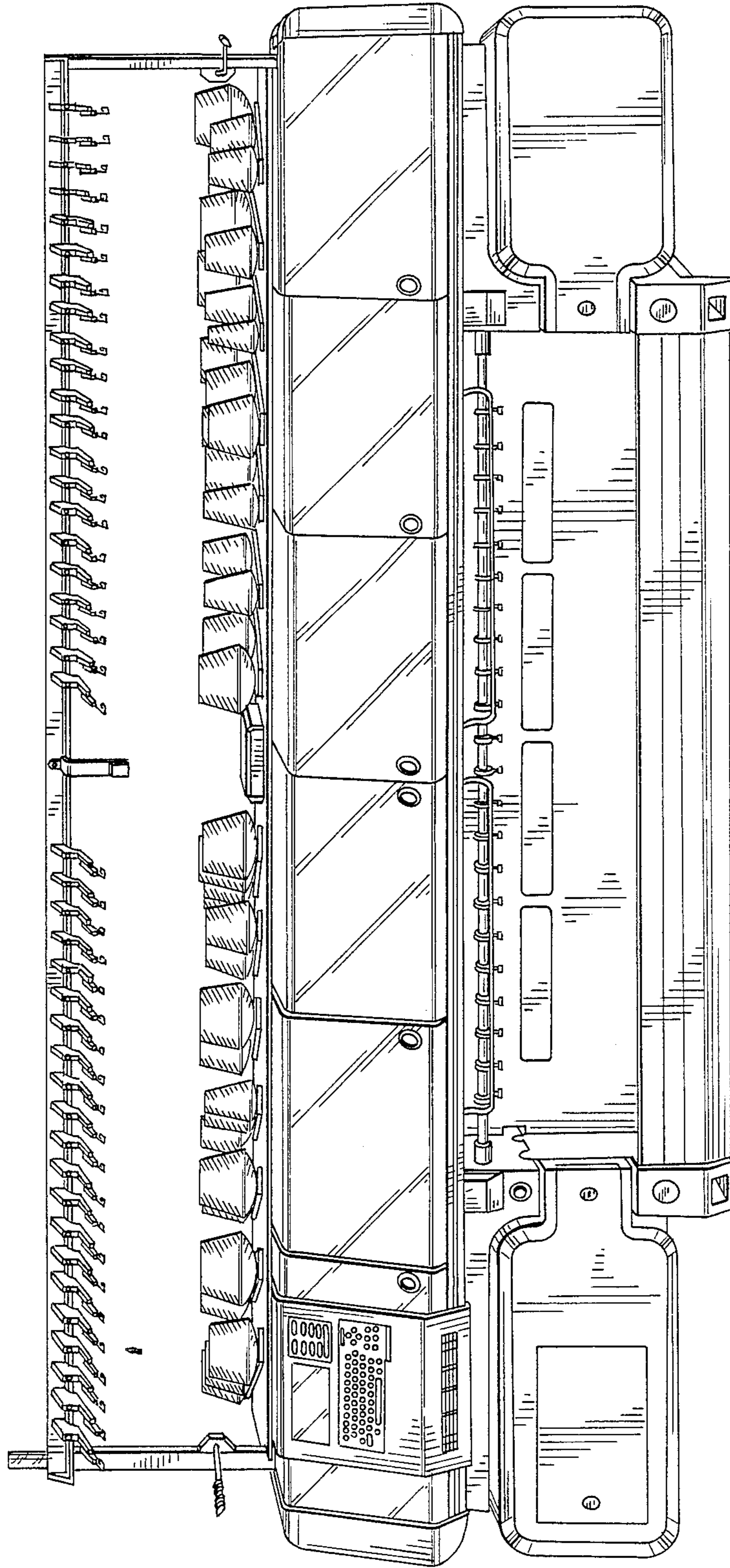


FIG. 2

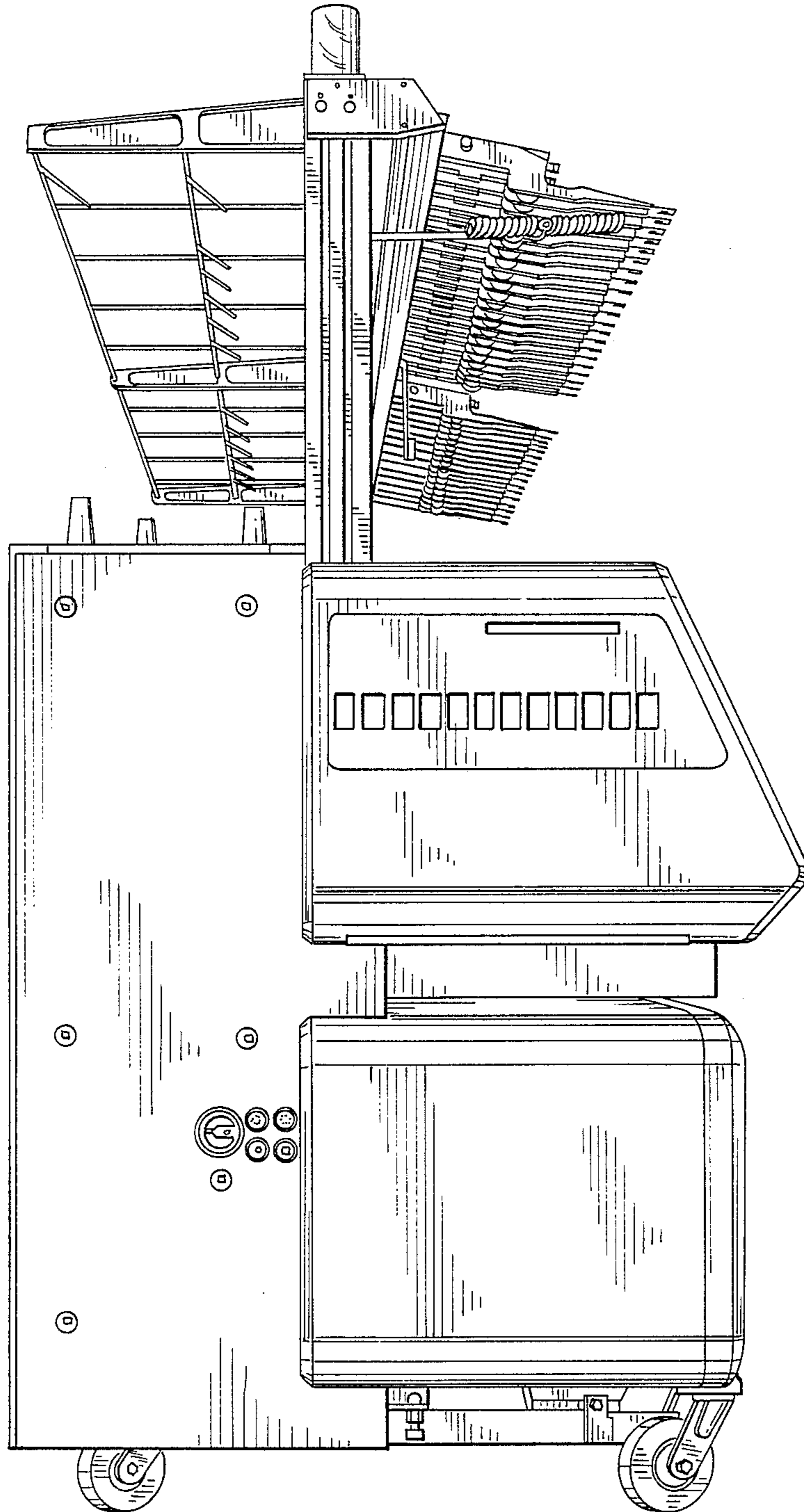
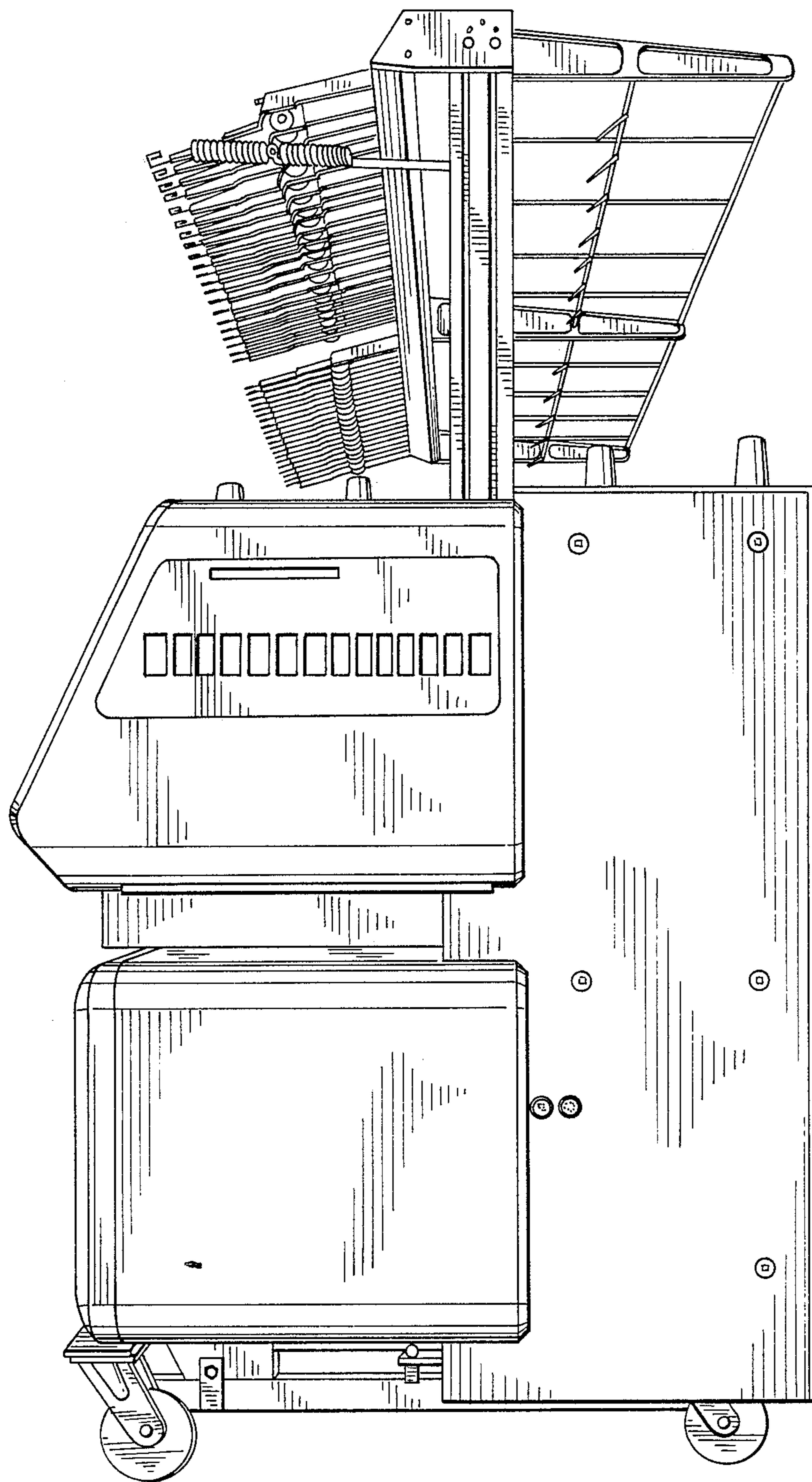


FIG. 3



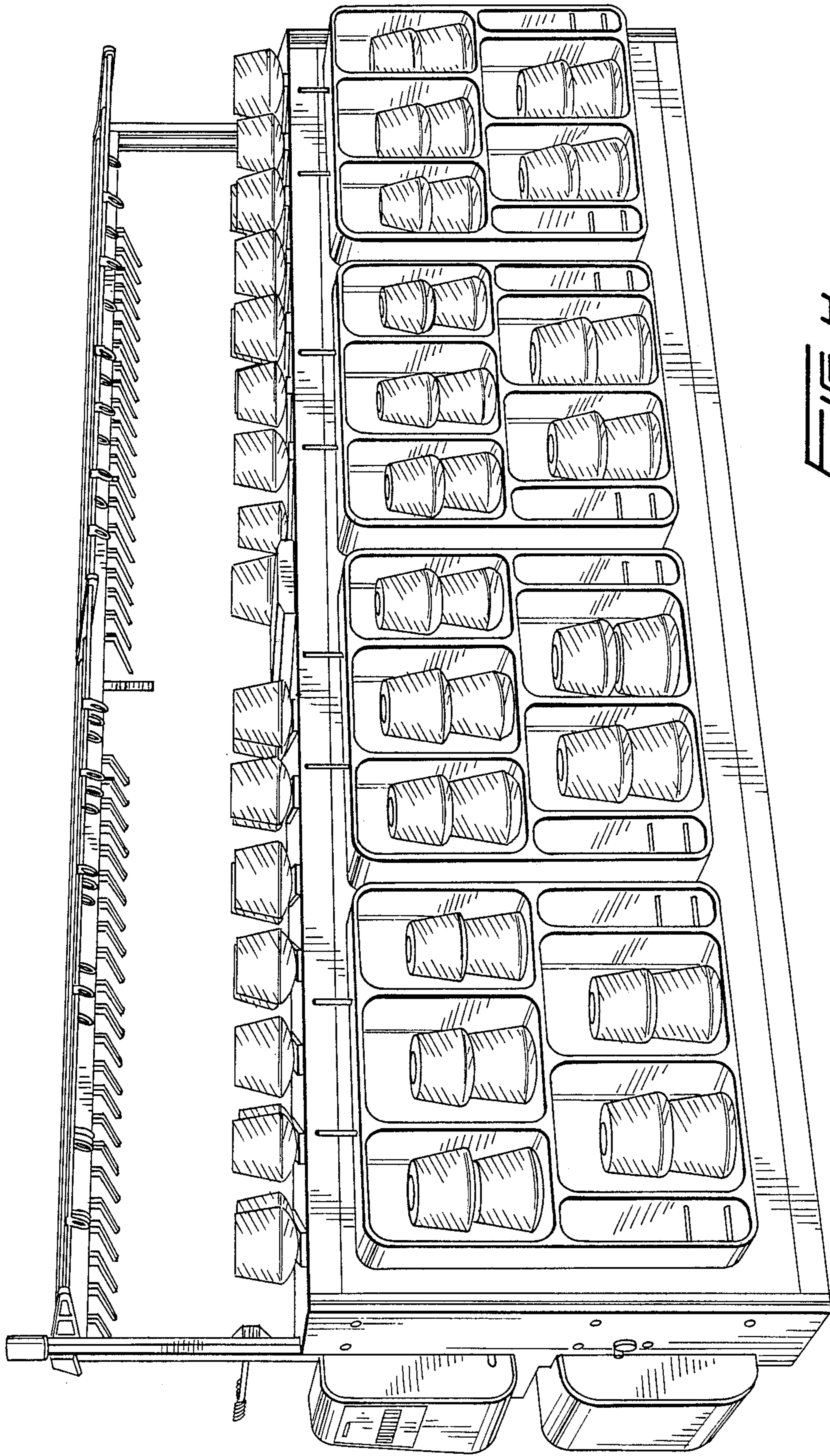
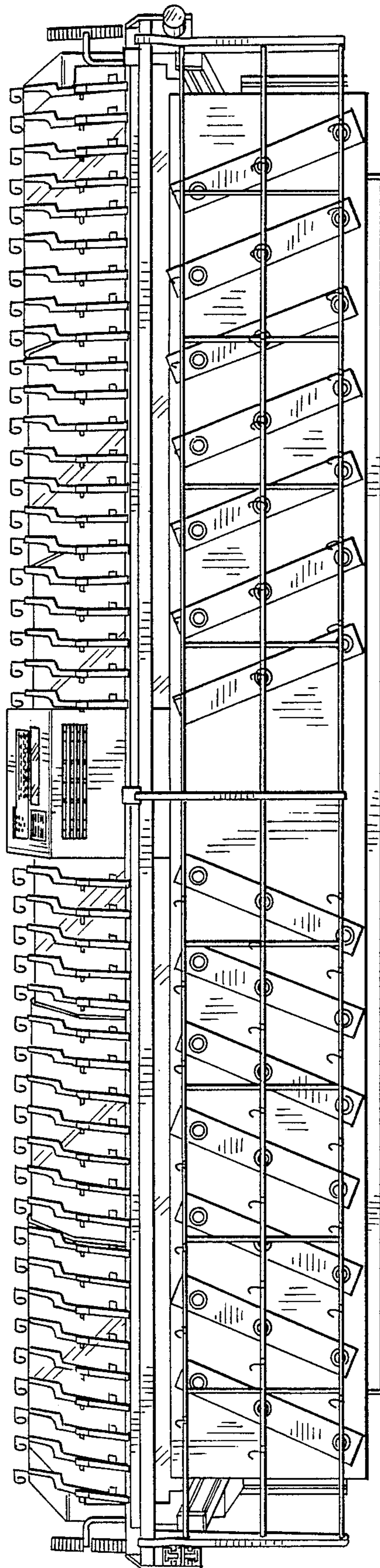


FIG. 4

FIG. 9



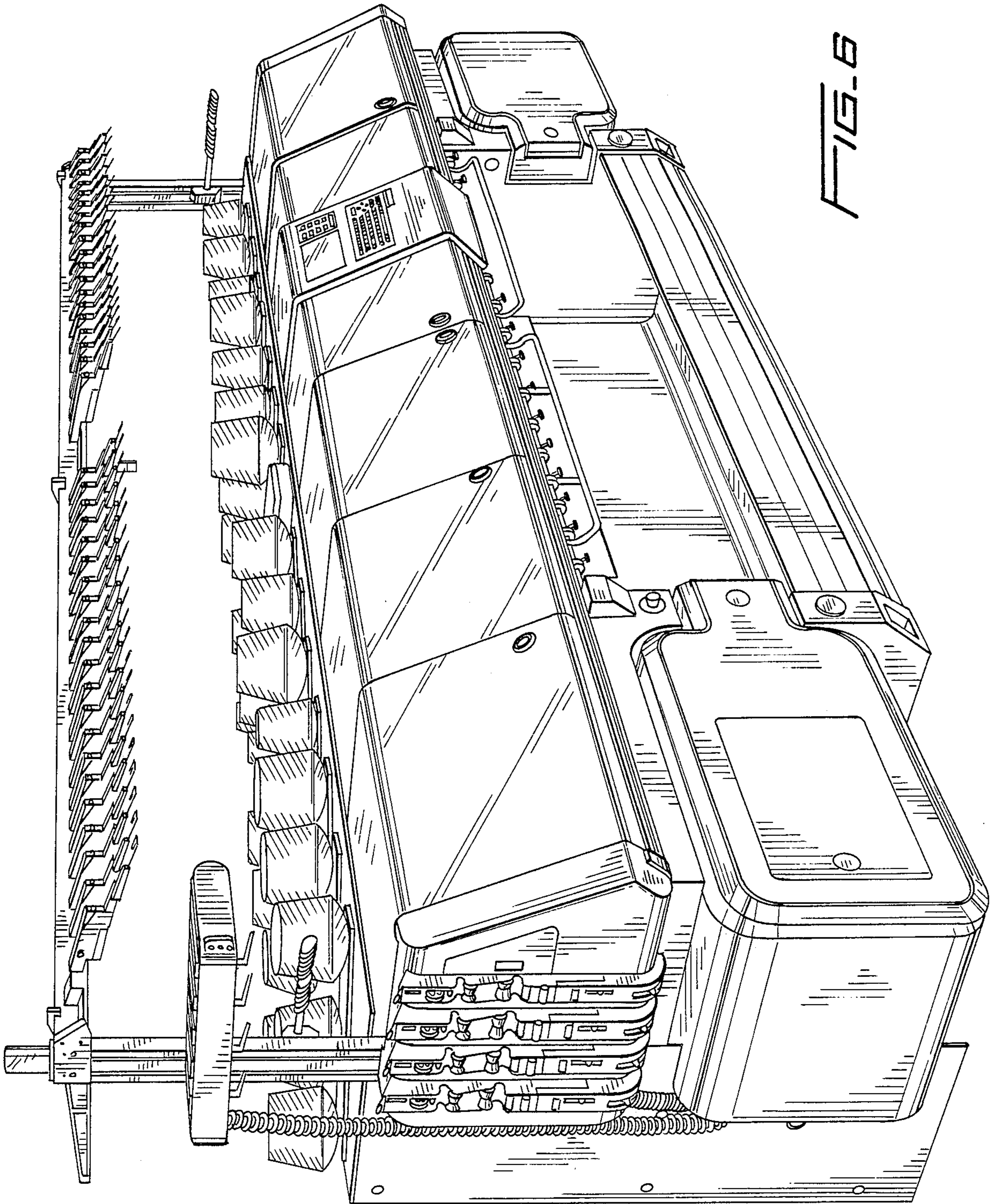


FIG. 6

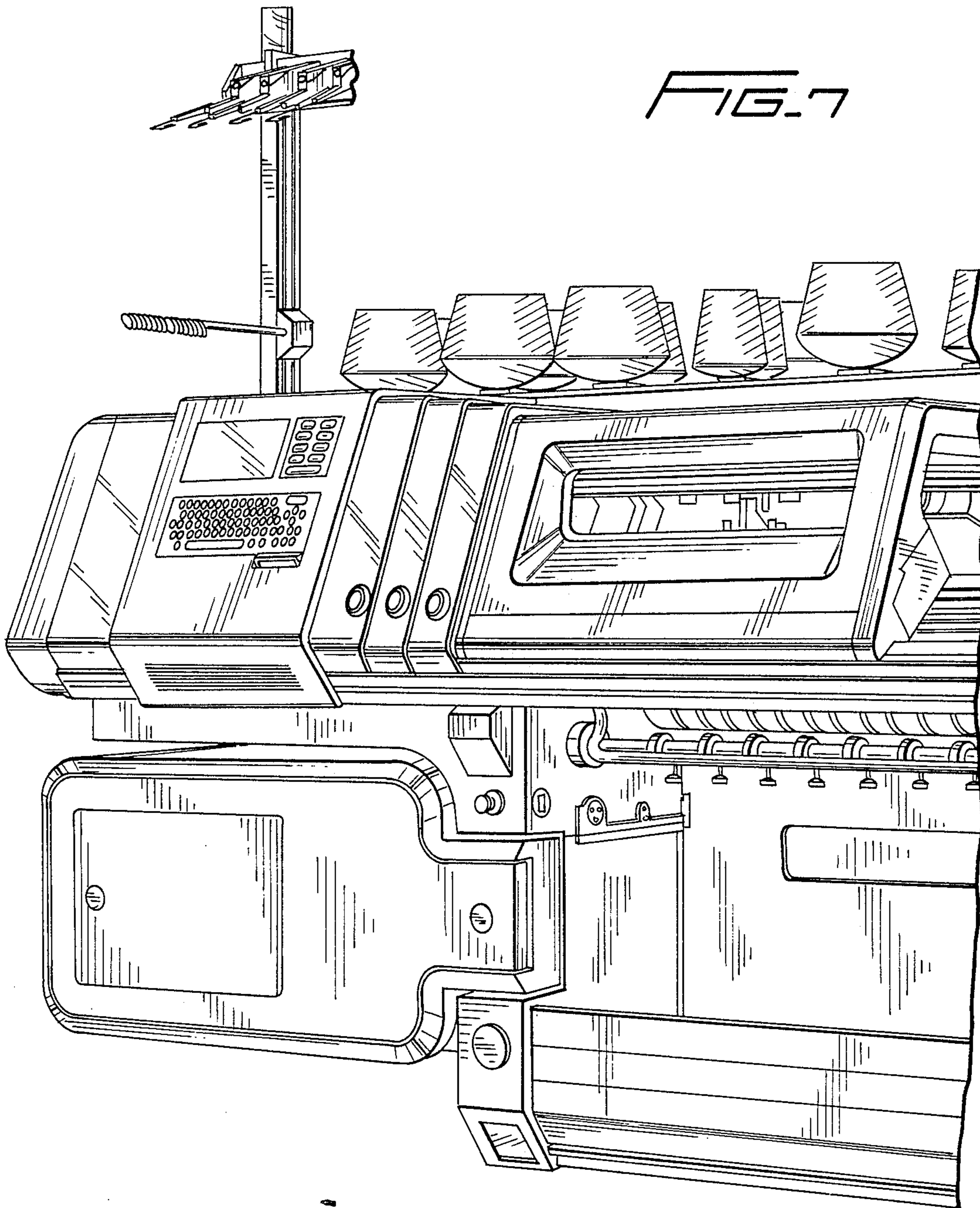


FIG. 7

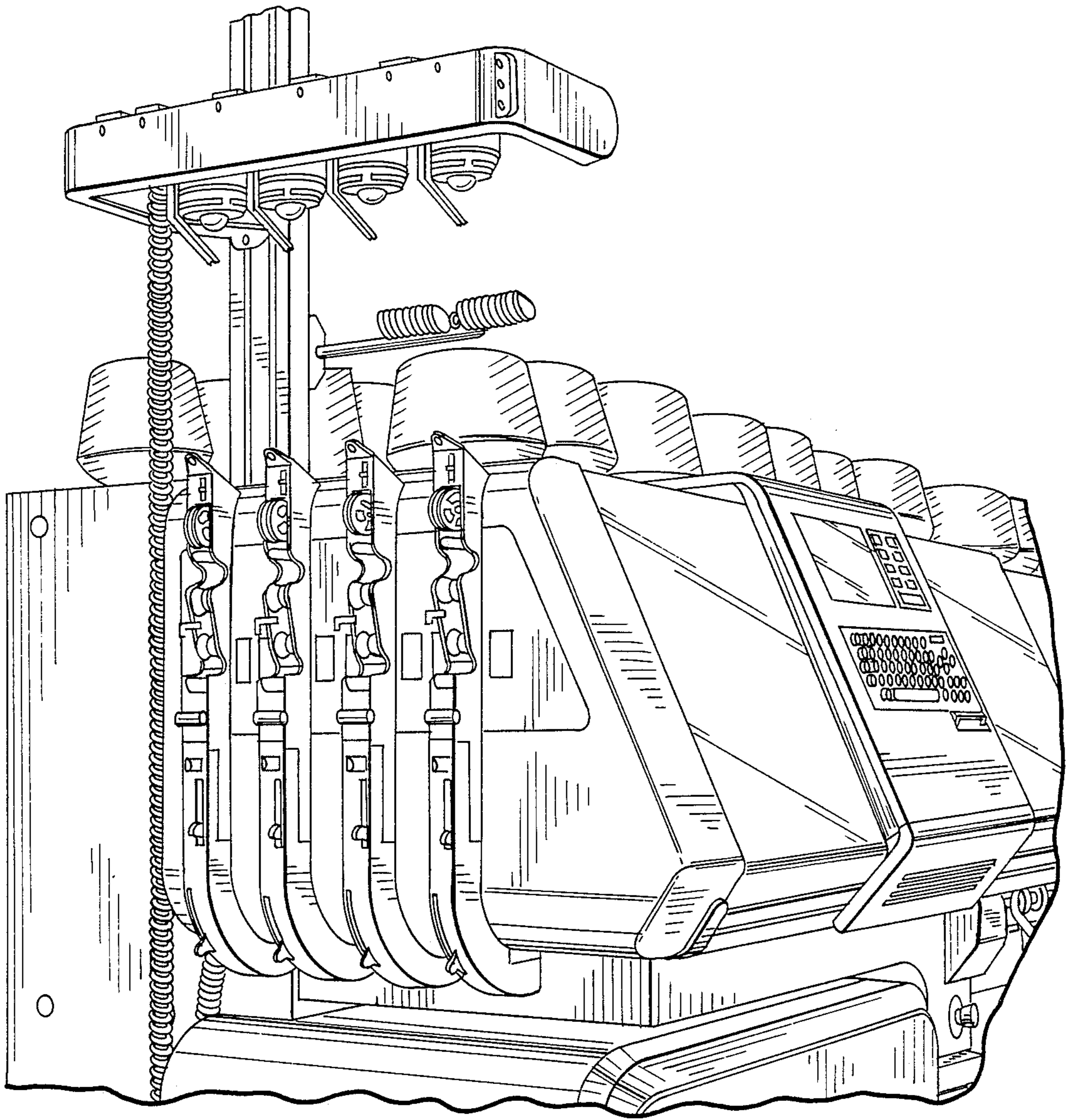


FIG. 8

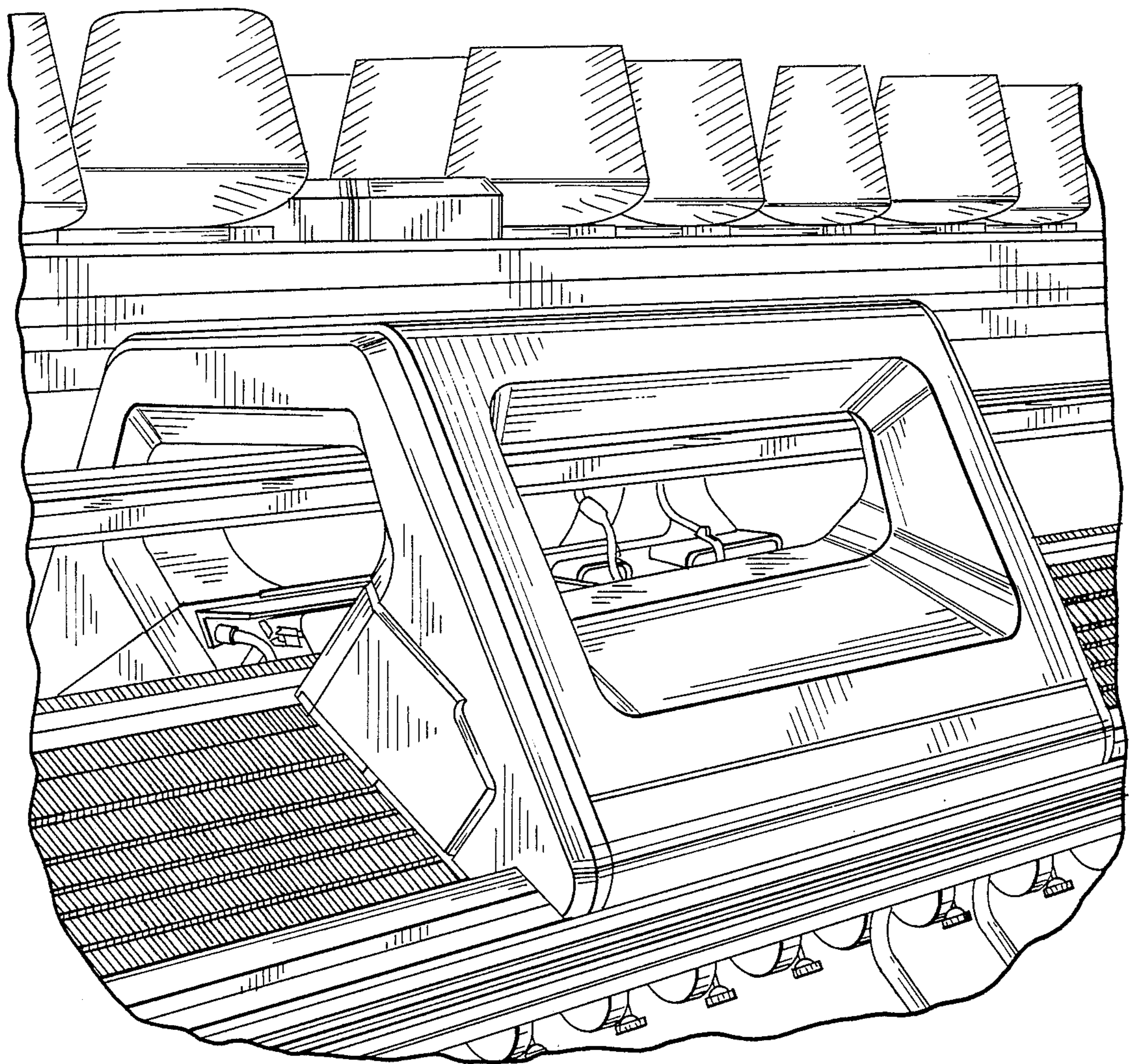


FIG. 9

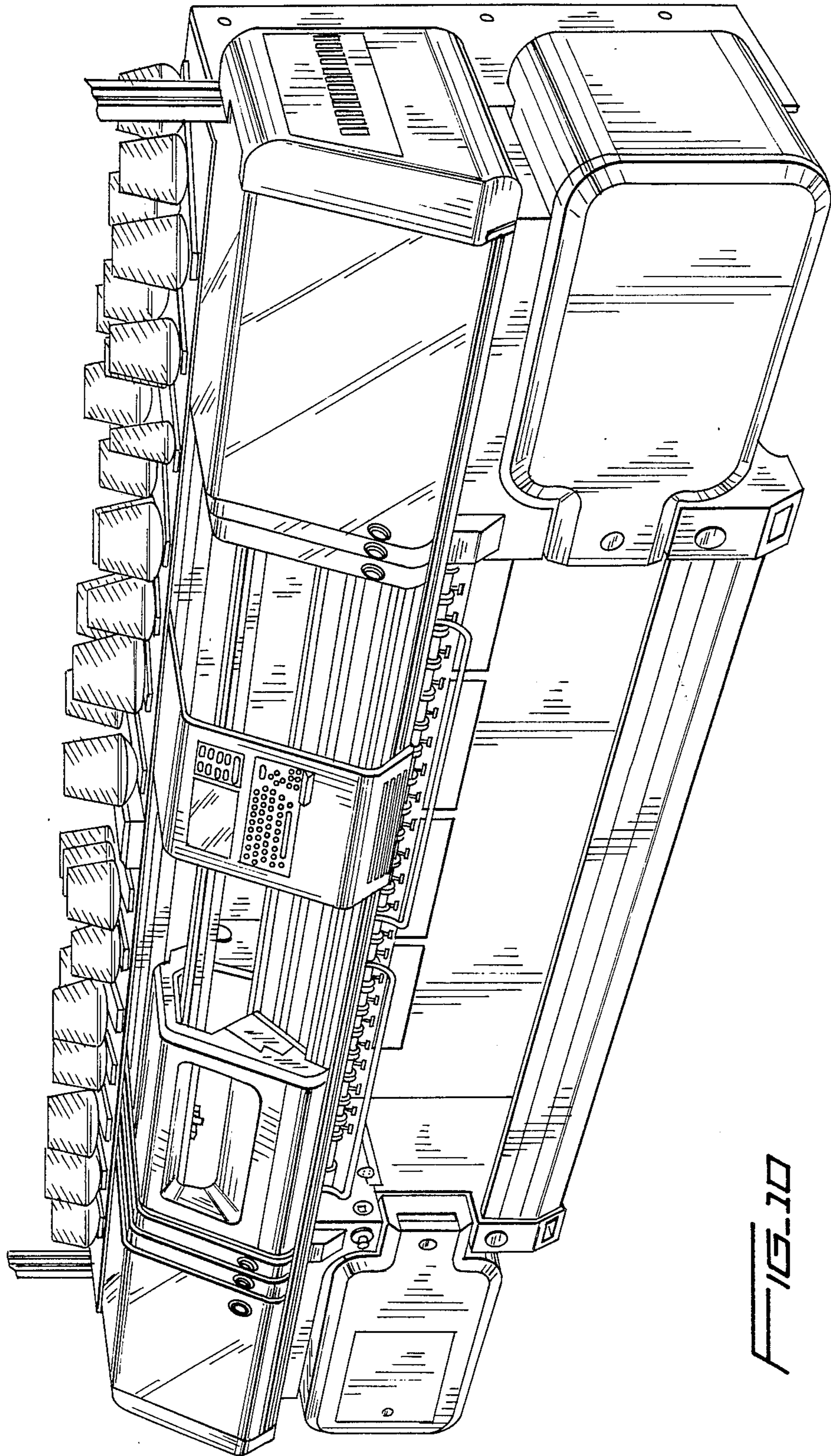


FIG. 10