

[54] **RIDING LAWN MOWER**

[75] **Inventor:** Clair D. Splittstoesser, Coffeyville, Kans.

[73] **Assignee:** Dixon Industries, Inc., Coffeyville, Kans.

[\*\*] **Term:** 14 Years

[21] **Appl. No.:** 272,309

[22] **Filed:** Nov. 17, 1988

[52] **U.S. Cl.** ..... D15/15

[58] **Field of Search** ..... D15/10, 14, 15, 17;  
56/11.2, 13.3, 13.4, 14.9, 16.2, 320.1, 320.2;  
180/89.1, 89.12

[56] **References Cited**

**U.S. PATENT DOCUMENTS**

D. 215,110	9/1969	Schreckengost	.....	D15/15
D. 221,881	9/1971	Mead	.....	D15/15
D. 248,655	7/1978	Klein	.....	D15/15
D. 262,289	12/1981	Wegele	.....	D15/15
3,512,344	5/1970	Kortum	.....	56/320.1

**OTHER PUBLICATIONS**

Toro Lawn Care Catalog, ©1983, p. 15, Riding lawn mower on right (Model 56125).

John Deere Lawn Care Catalog, 11/1978, p. 5, Pic. of riding lawn mower.

Simplicity Lawn Care Systems Brochure, ©1984, cover page, Lawn mower on bottom right.

*Primary Examiner*—B. J. Bullock

*Assistant Examiner*—Sandra Morris

[57] **CLAIM**

The ornamental design for a riding lawn mower, as shown and described.

**DESCRIPTION**

FIG. 1 is a left, front perspective view of a riding lawn mower, showing our new design;

FIG. 2 is a right, front perspective view thereof;

FIG. 3 is a right, rear perspective view thereof;

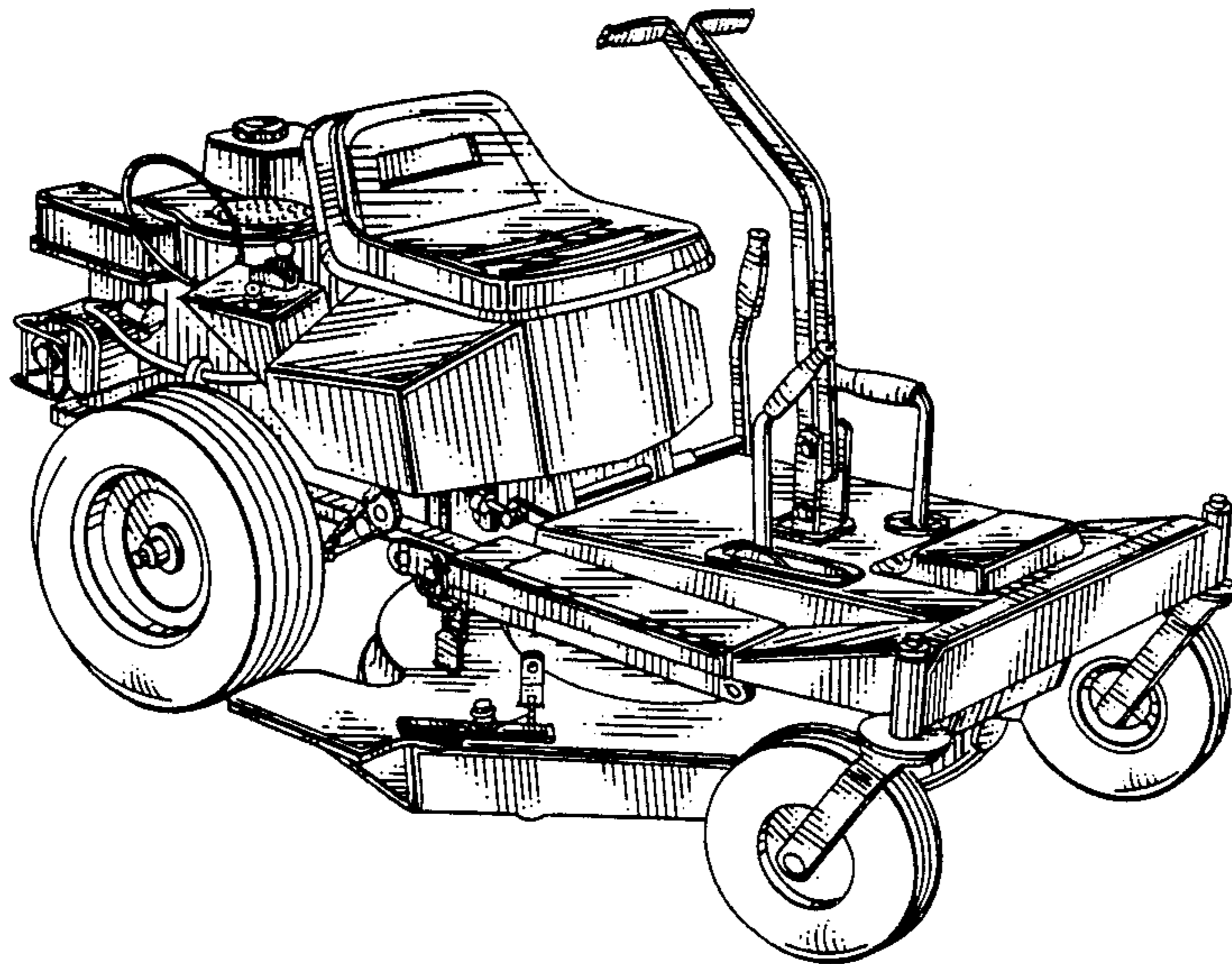
FIG. 4 is a top perspective view thereof;

FIG. 5 is a left side perspective view thereof;

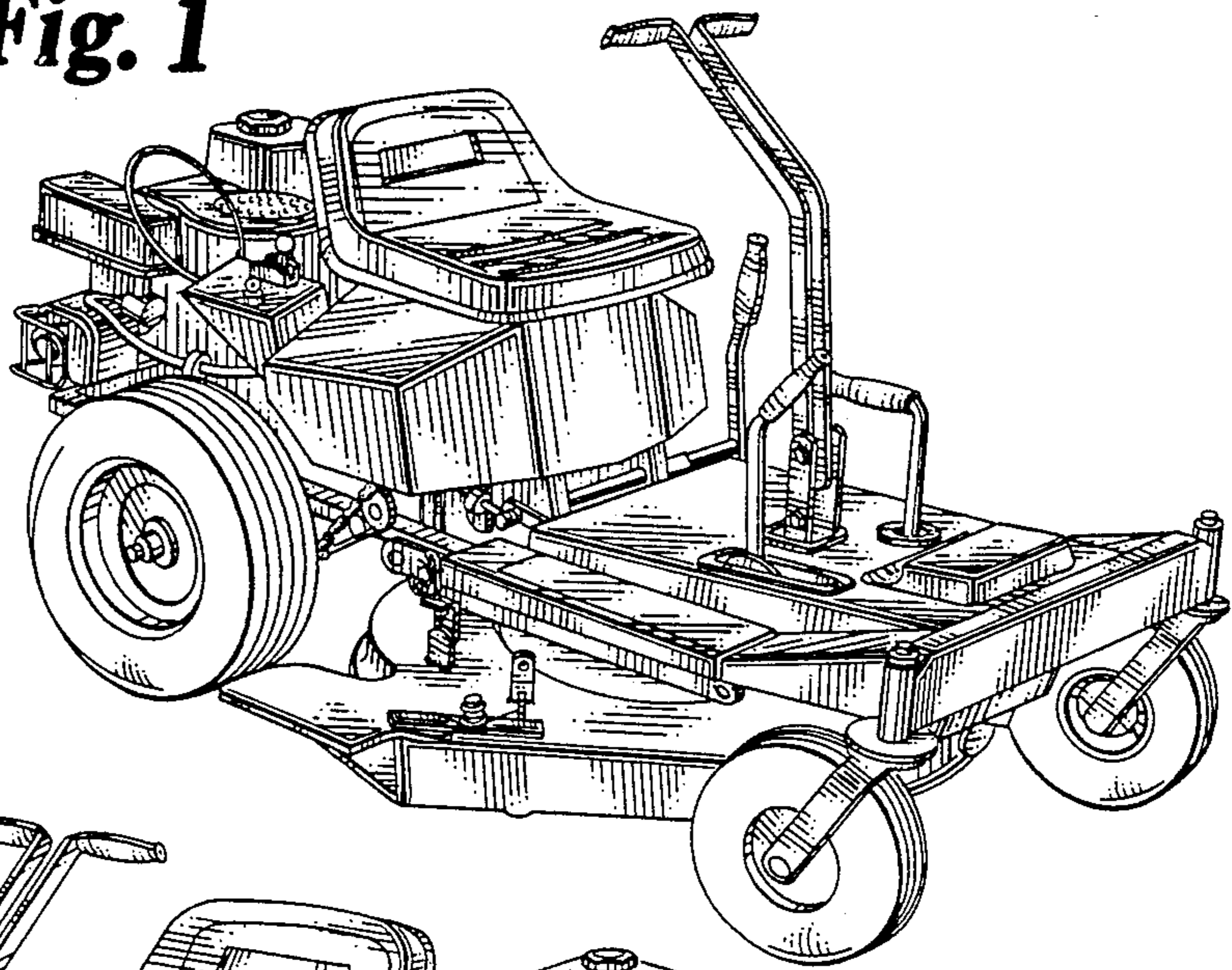
FIG. 6 is a front perspective view thereof;

FIG. 7 is a rear perspective view thereof;

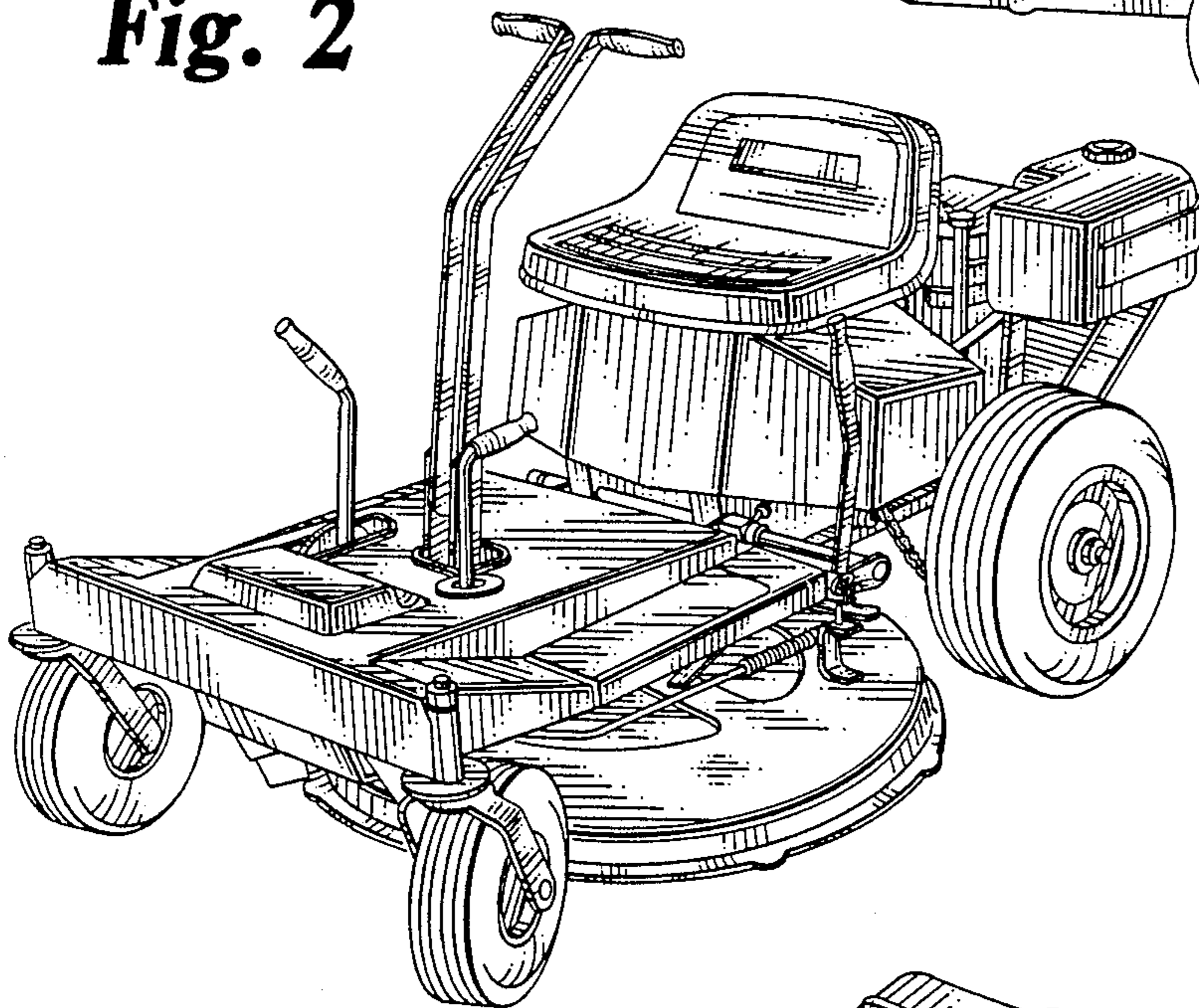
FIG. 8 is a right side perspective view thereof.



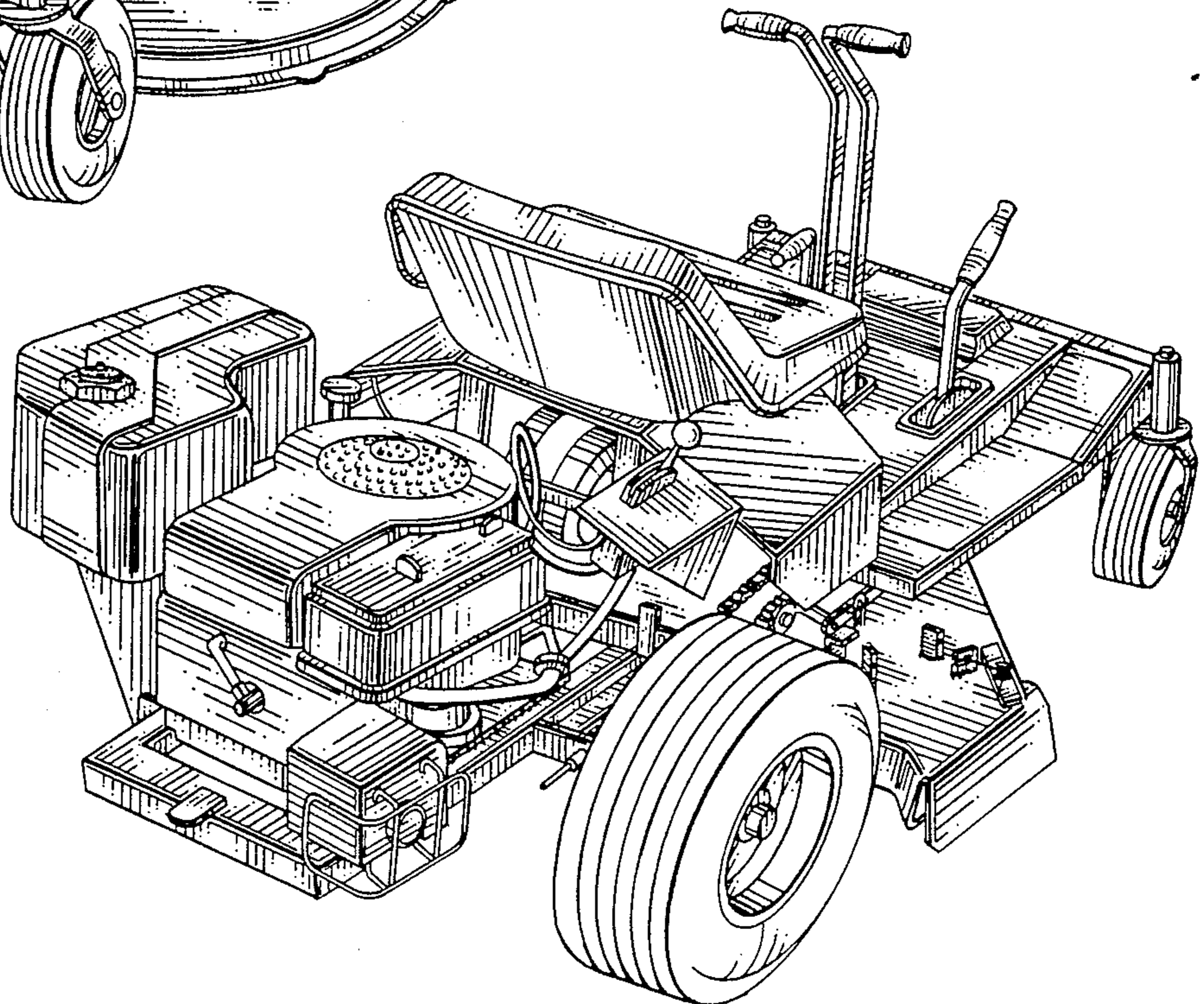
**Fig. 1**



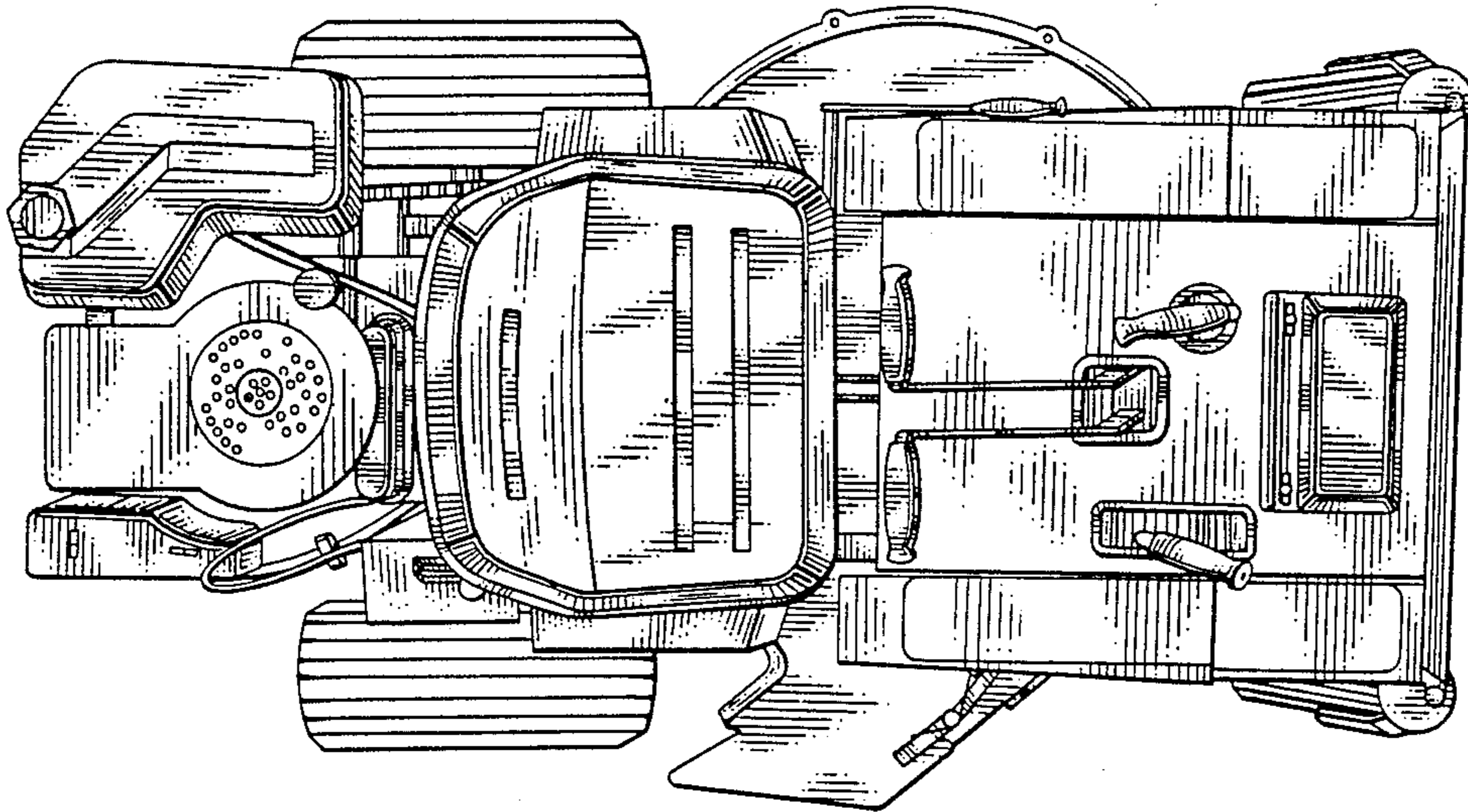
**Fig. 2**



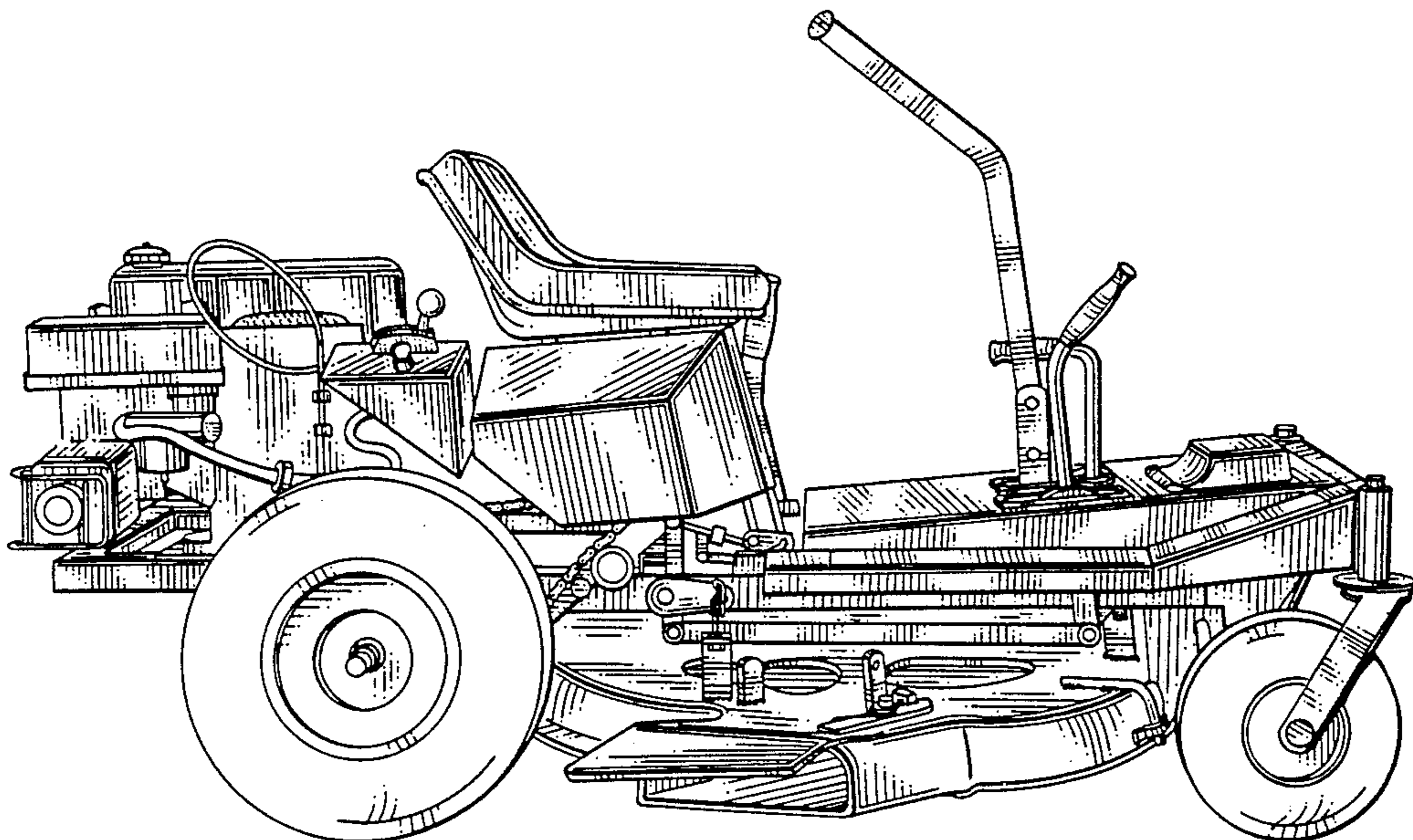
**Fig. 3**



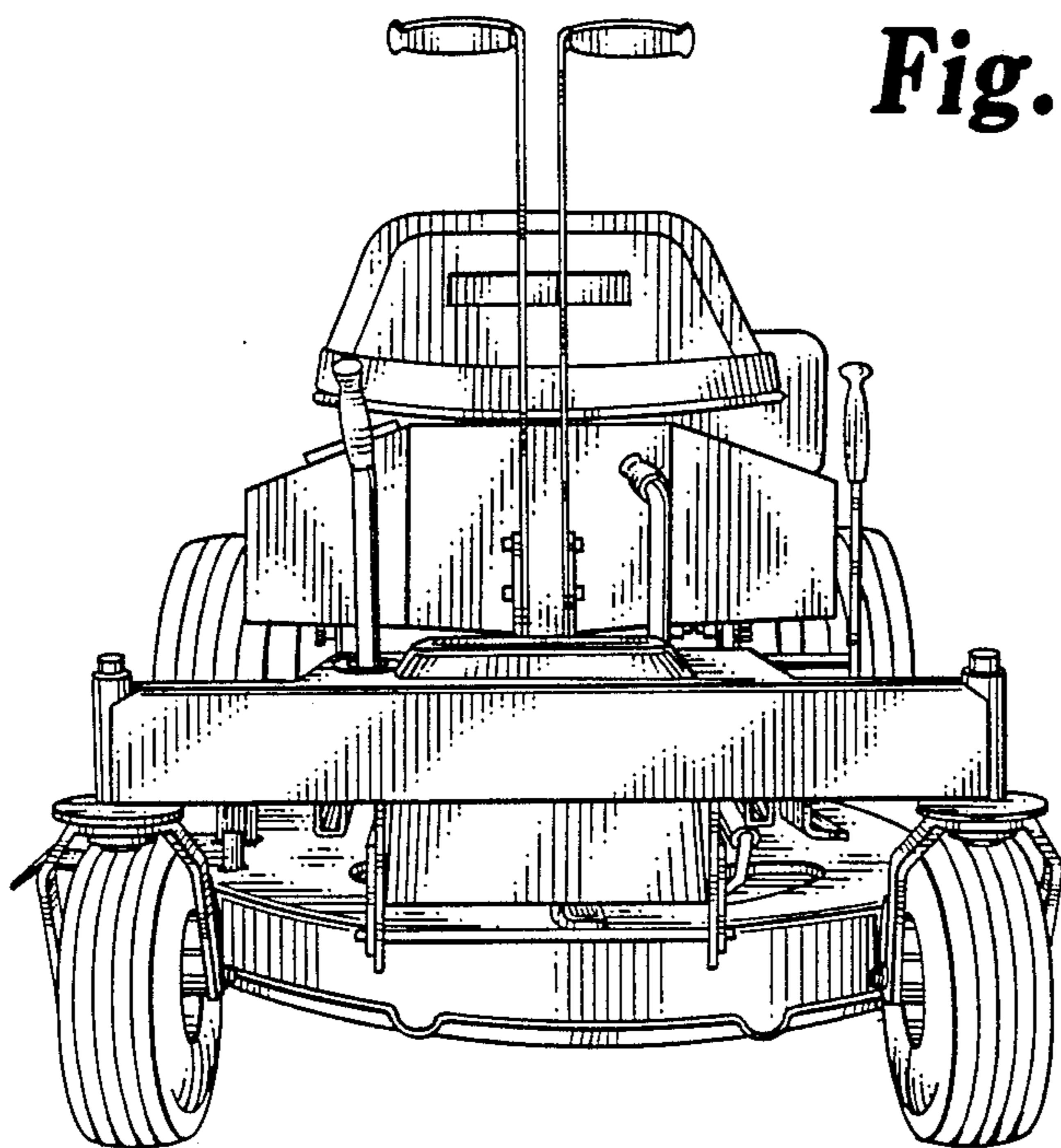
**Fig. 4**



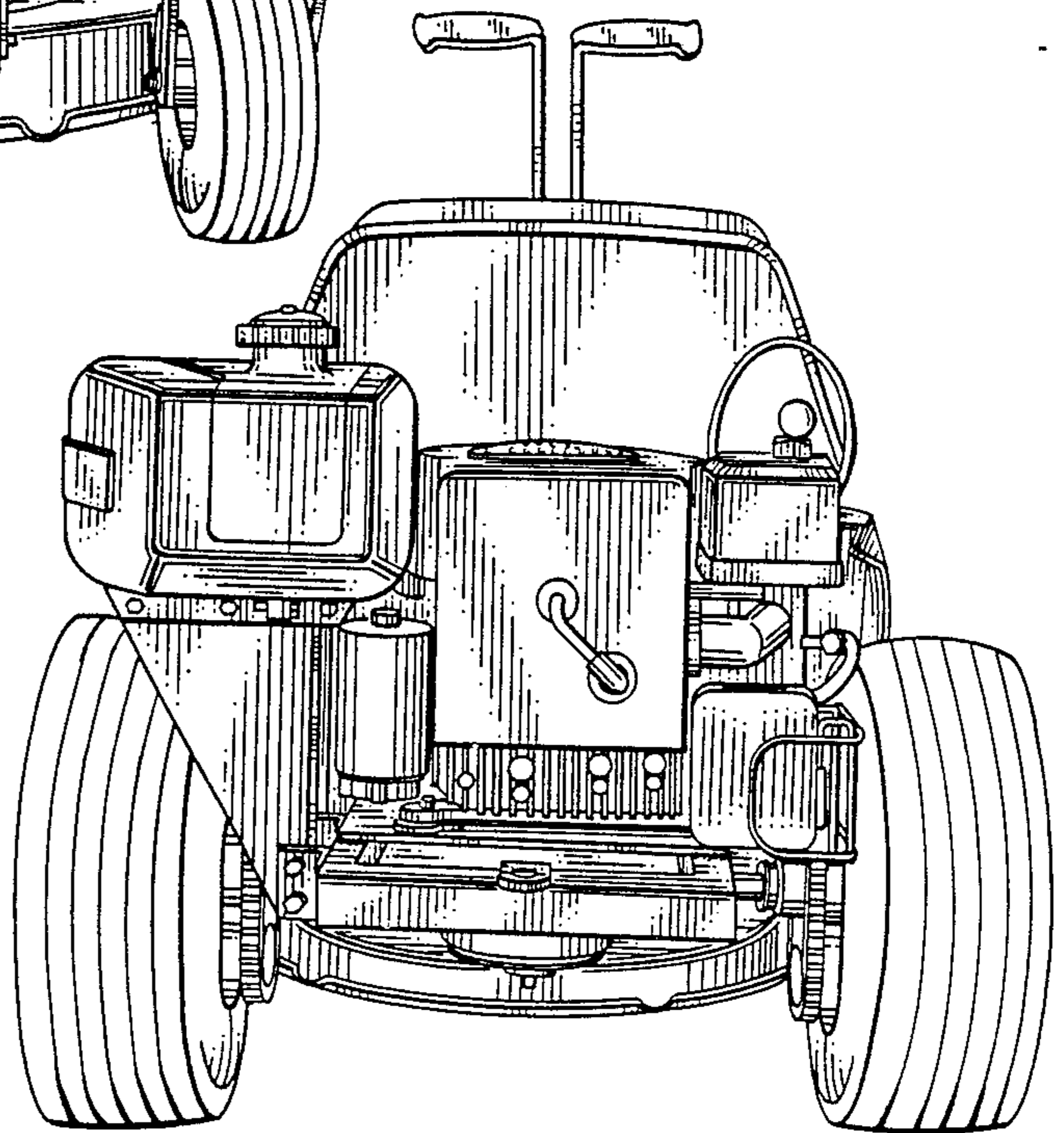
**Fig. 5**



**Fig. 6**



**Fig. 7**



**Fig. 8**

