

[54] TAPE CASSETTE

[75] Inventor: David E. Perelli, Lawrenceville, N.J.

[73] Assignee: Perelli Corporation, Lawrenceville, N.J.

[\*\*] Term: 14 Years

[21] Appl. No.: 62,880

[22] Filed: Jun. 16, 1987

[52] U.S. Cl. .... D14/121; D14/120

[58] Field of Search ..... D14/115, 120, 121, 122; 242/71.8, 197, 198, 199

[56] References Cited

U.S. PATENT DOCUMENTS

- D. 223,029 2/1972 Weiss et al. .... D14/121
- D. 236,502 8/1975 Saito ..... D14/121
- D. 262,877 2/1982 Yoshizawa ..... D14/121

- D. 280,815 10/1985 Gelardi et al. .... D14/121
- D. 286,631 11/1986 Hashimoto ..... D14/121

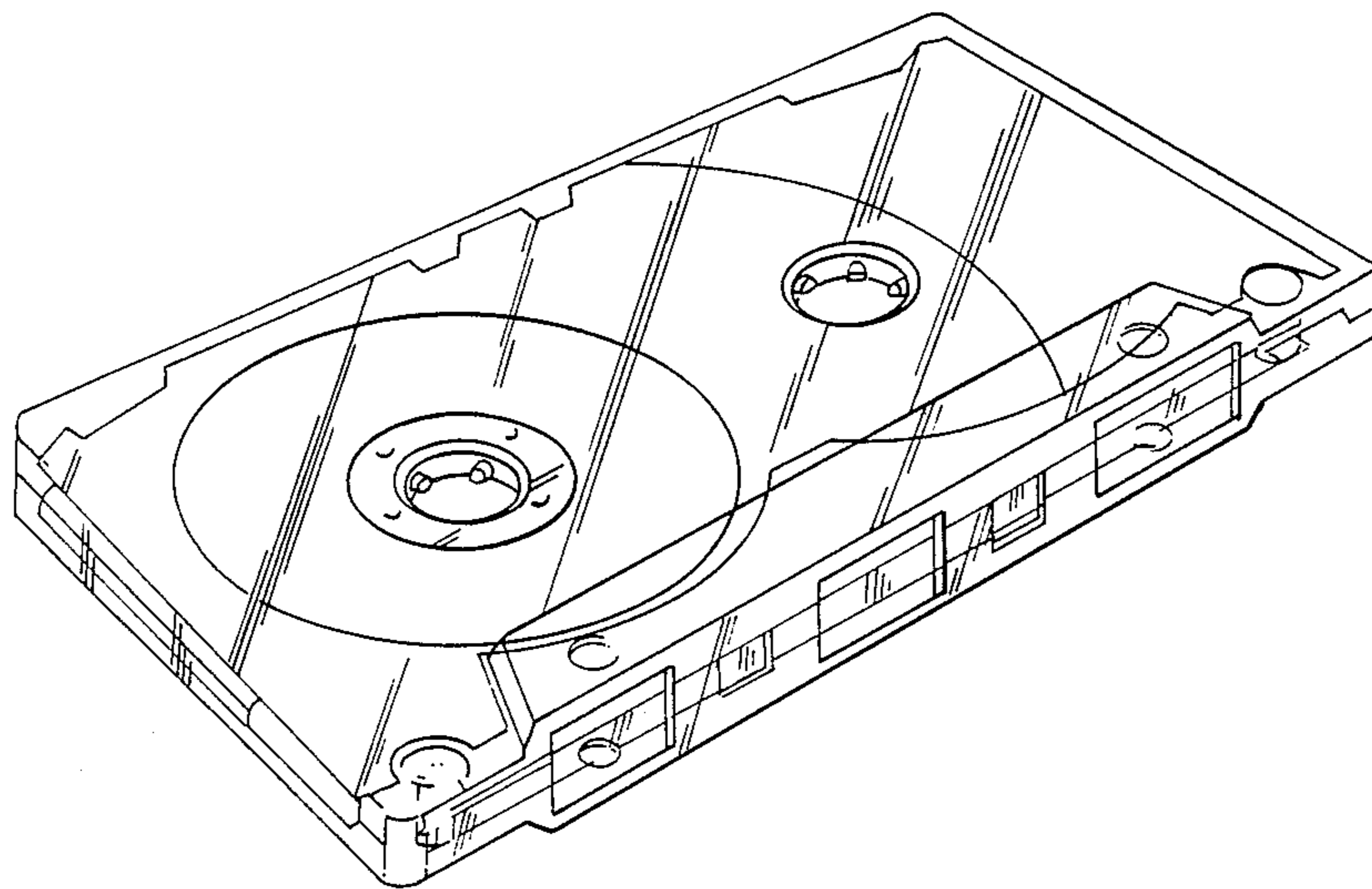
Primary Examiner—Theodore M. Shooman  
Attorney, Agent, or Firm—Arthur L. Lessler

[57] CLAIM

The ornamental design for a tape cassette, as shown and described.

DESCRIPTION

FIG. 1 is a top, front and left side perspective view of a tape cassette showing my new design;  
 FIG. 2 is a top plan view thereof;  
 FIG. 3 is a bottom plan view thereof, rotated 180° from FIG. 1;  
 FIG. 4 is a front elevational view thereof;  
 FIG. 5 is a rear elevational view thereof;  
 FIG. 6 is a left side elevational view thereof; and  
 FIG. 7 is a right side elevational view thereof.



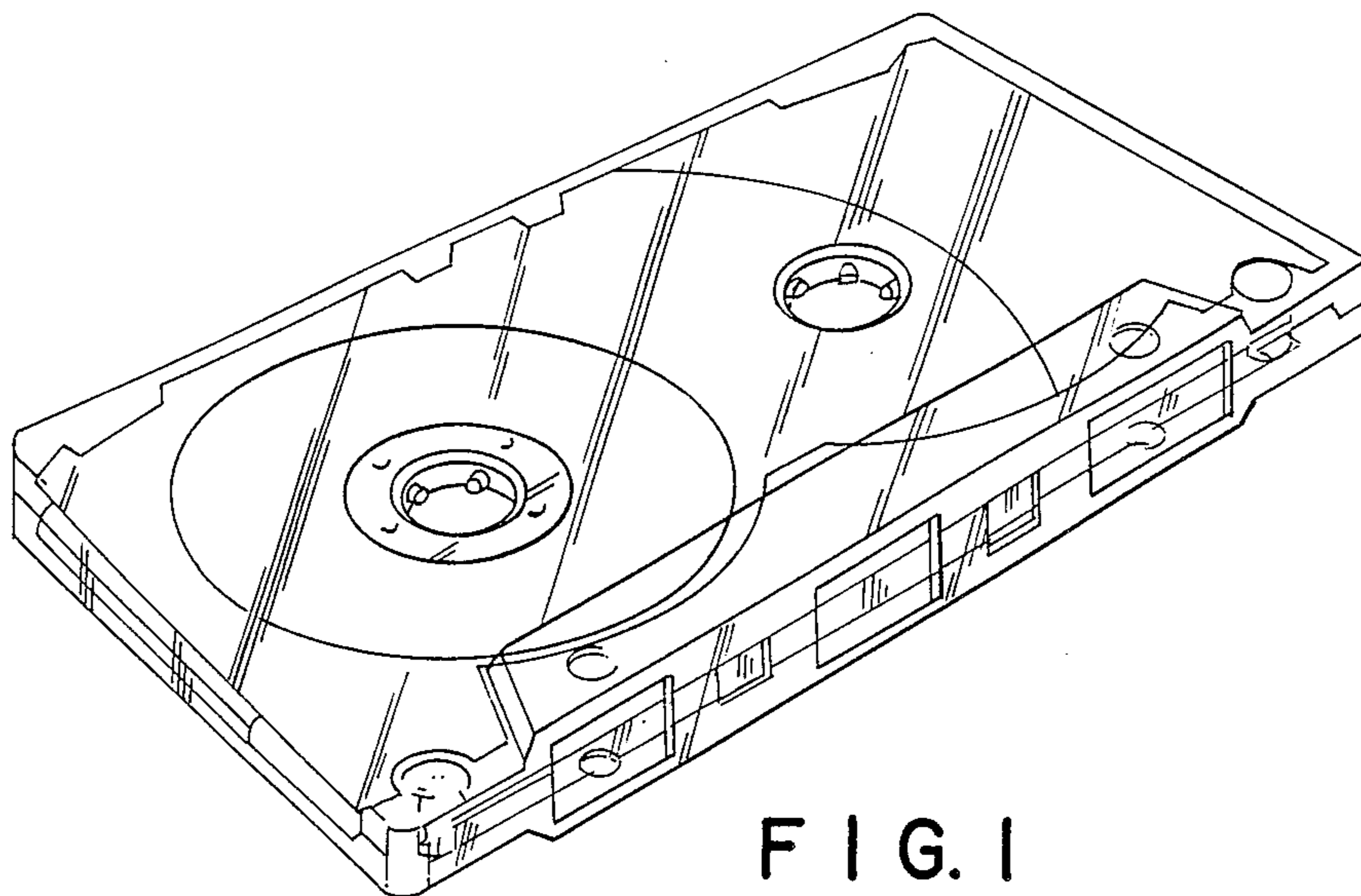


FIG. 1

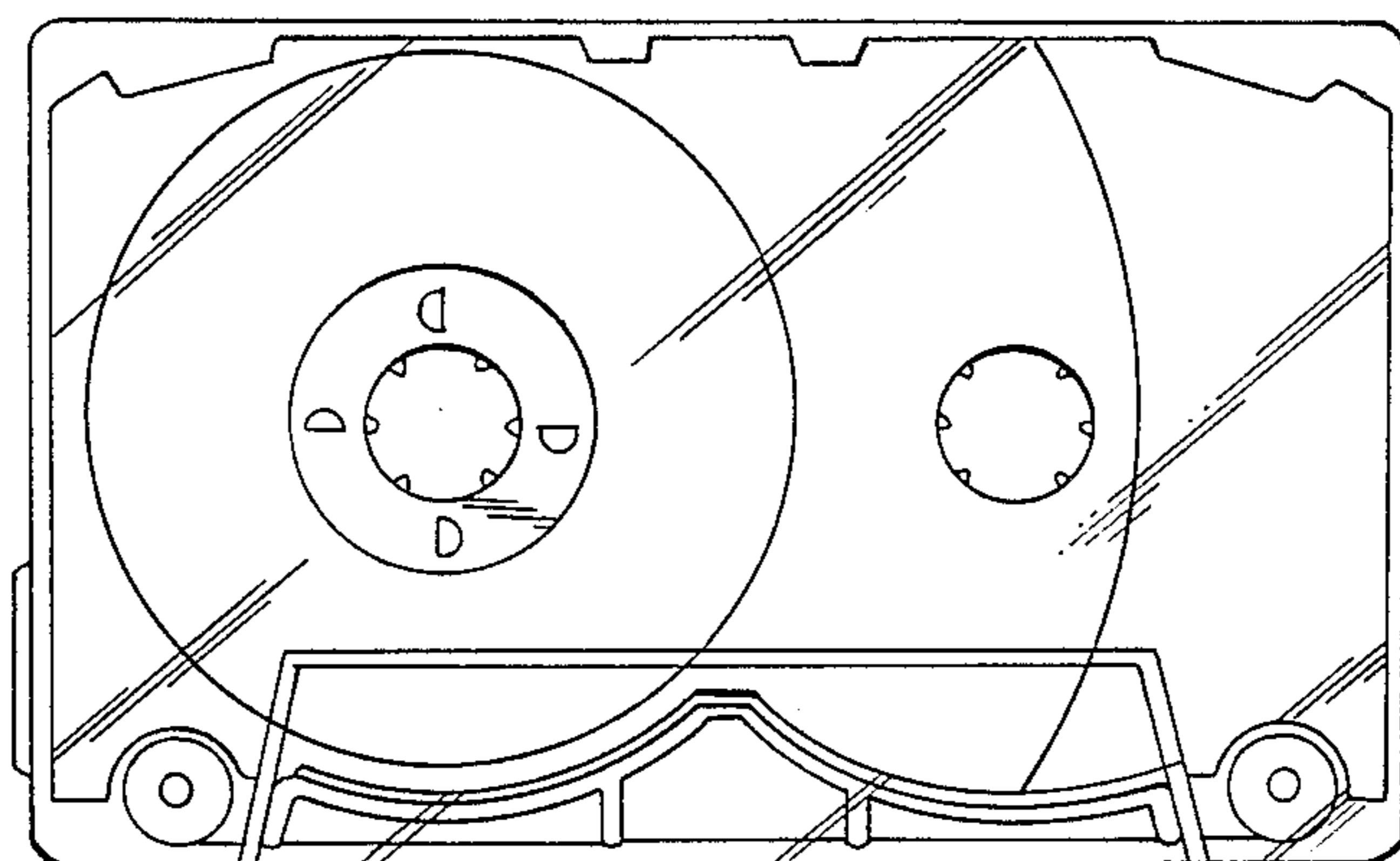


FIG. 2

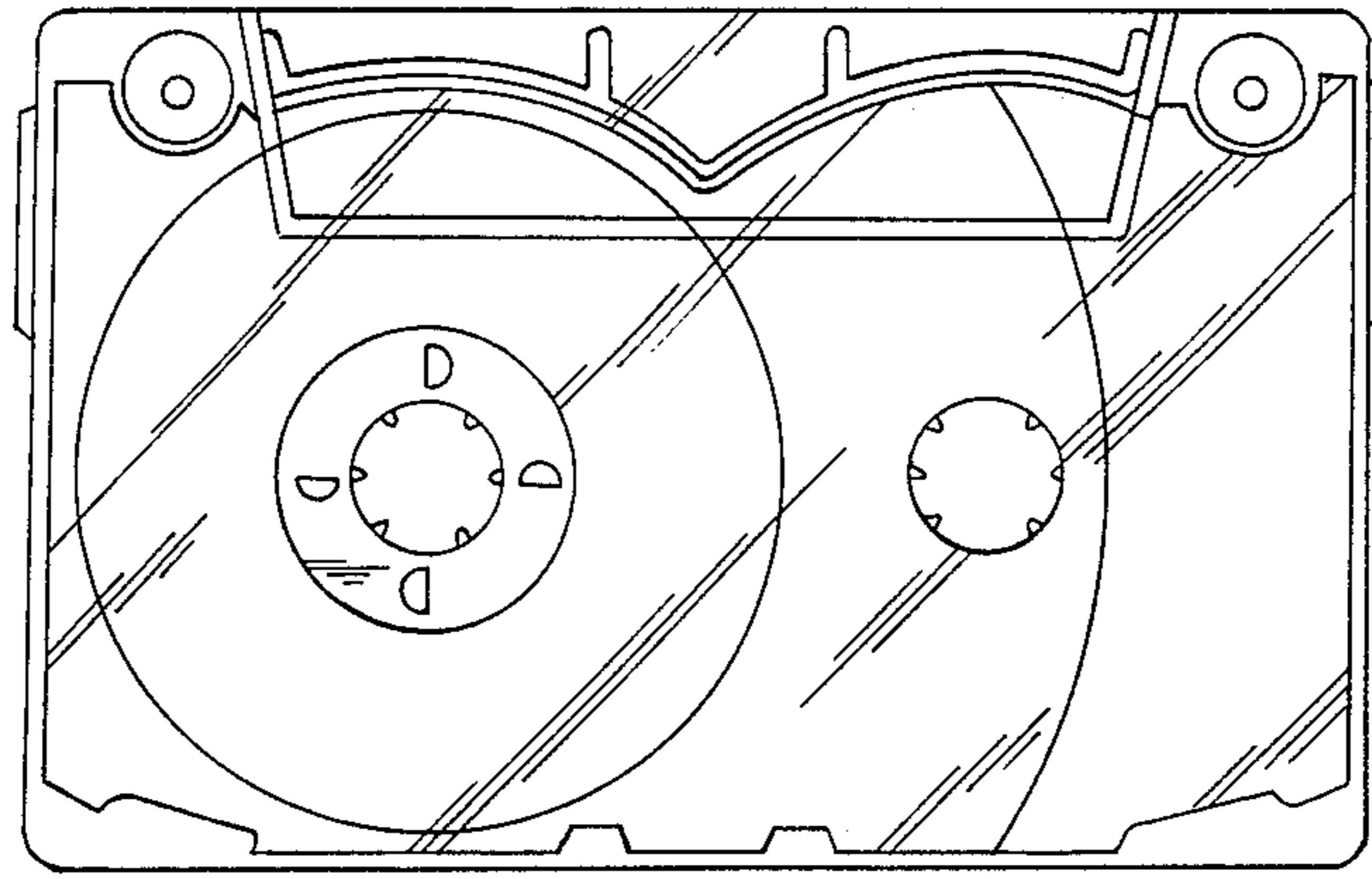


FIG. 3



FIG. 4

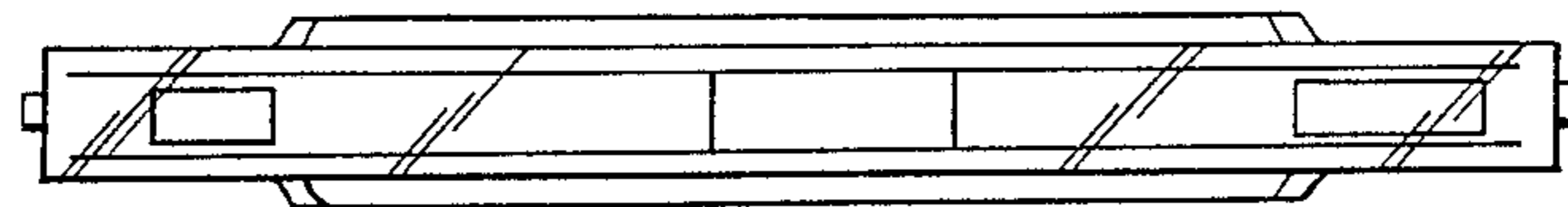


FIG. 5



FIG. 6

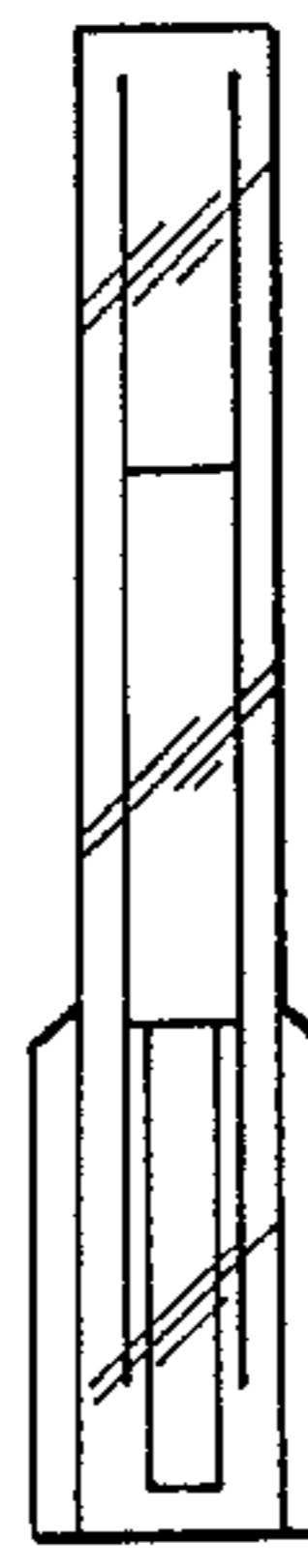


FIG. 7