

[54] HOUSING FOR AN ELECTRICAL CONNECTOR

[75] Inventors: Katsutoshi Kuzuno; Shigeo Ishizuka; Hiroshi Watanabe; Kazuaki Sakurai, all of Shizuoka, Japan

[73] Assignee: Yazaki Corporation, Japan

[**] Term: 14 Years

[21] Appl. No.: 155,005

[22] Filed: Feb. 10, 1988

[30] Foreign Application Priority Data

Aug. 10, 1987 [JP] Japan 62-32318

[52] U.S. Cl. D13/133

[58] Field of Search D13/24, 30; 439/660, 439/682, 685, 586, 595, 603

[56] References Cited

U.S. PATENT DOCUMENTS

D. 251,906 5/1979 Frantz et al. D13/24

D. 286,397 10/1986 Challars D13/24
4,311,355 1/1982 Plyler et al. 439/595 X

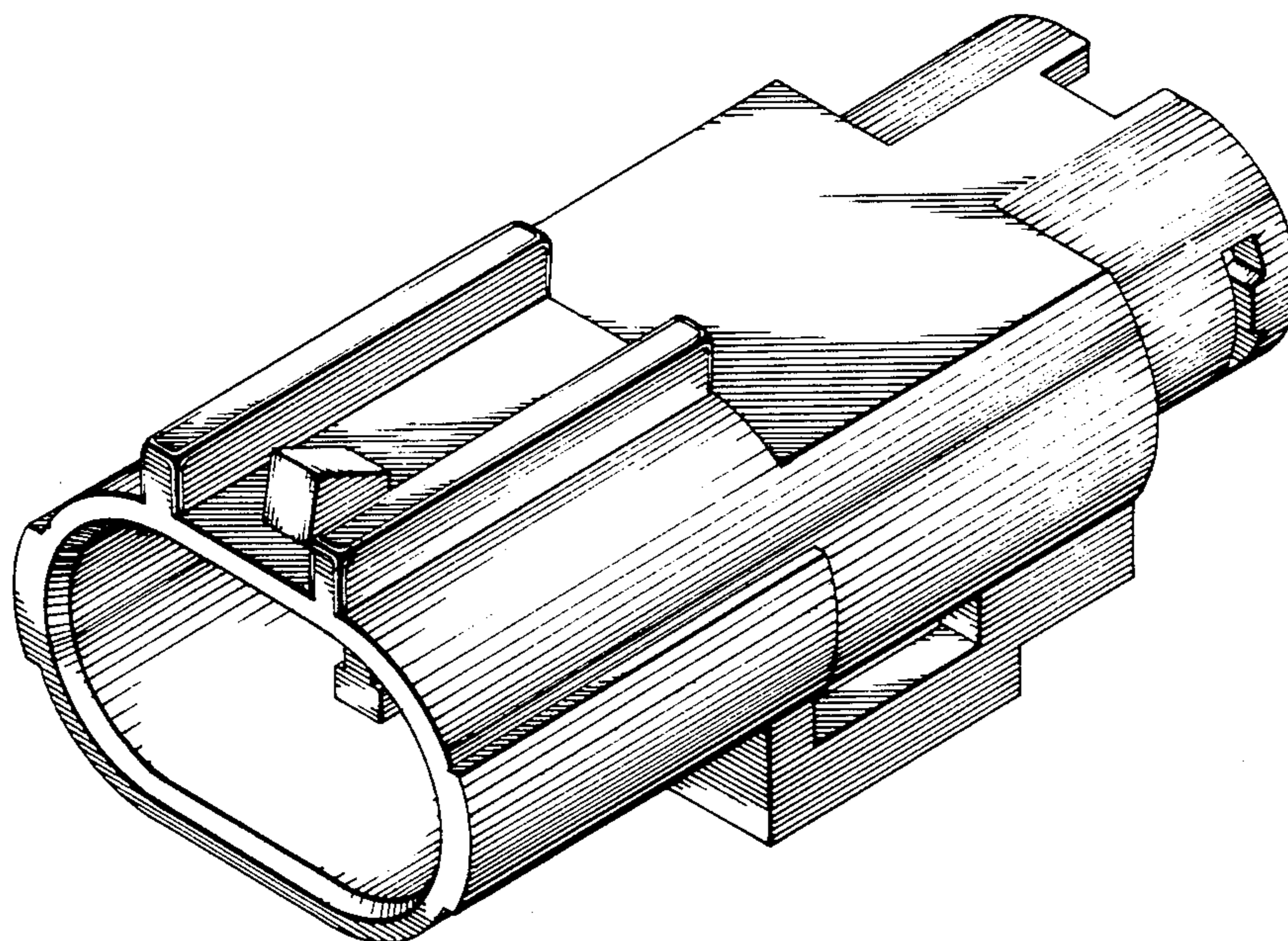
Primary Examiner—Susan J. Lucas
Assistant Examiner—Joel Sincavage
Attorney, Agent, or Firm—Jones, Askew & Lunsford

[57] CLAIM

The ornamental design for a housing for an electrical connector, as shown and described.

DESCRIPTION

FIG. 1 is a perspective view of a housing for an electrical connector showing my new design; FIG. 2 is a top plan view thereof; FIG. 3 is a front elevation view thereof; FIG. 4 is a rear elevation view thereof; FIG. 5 is a bottom plan view thereof; FIG. 6 is a right side elevation view thereof, the left side elevation view being a mirror image; FIG. 7 is a section view taken at line 7—7 of FIG. 3; FIG. 8 is a section view taken at line 8—8 of FIG. 3; FIG. 9 is a section view taken at line 9—9 of FIG. 3.



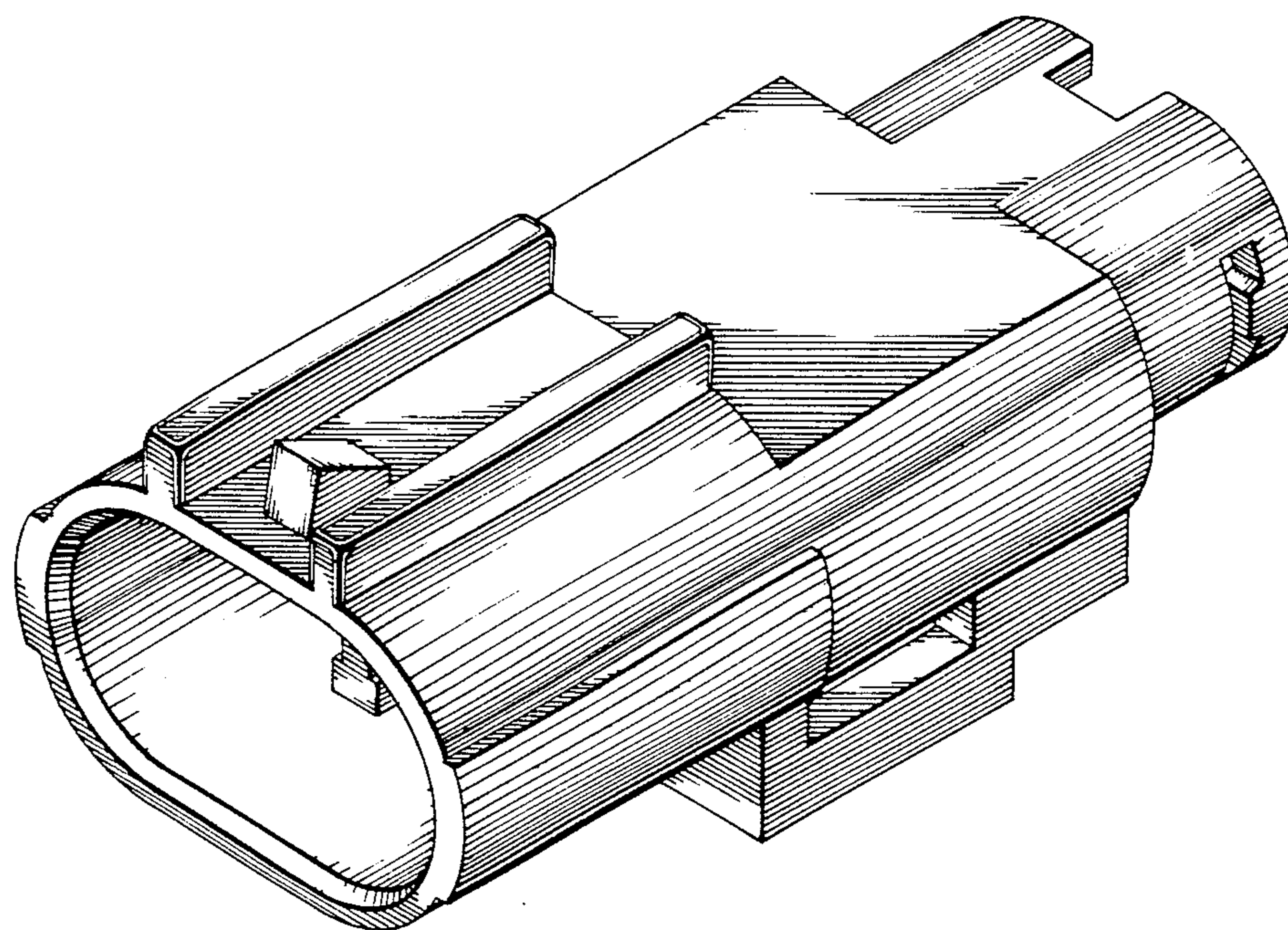


FIG 1

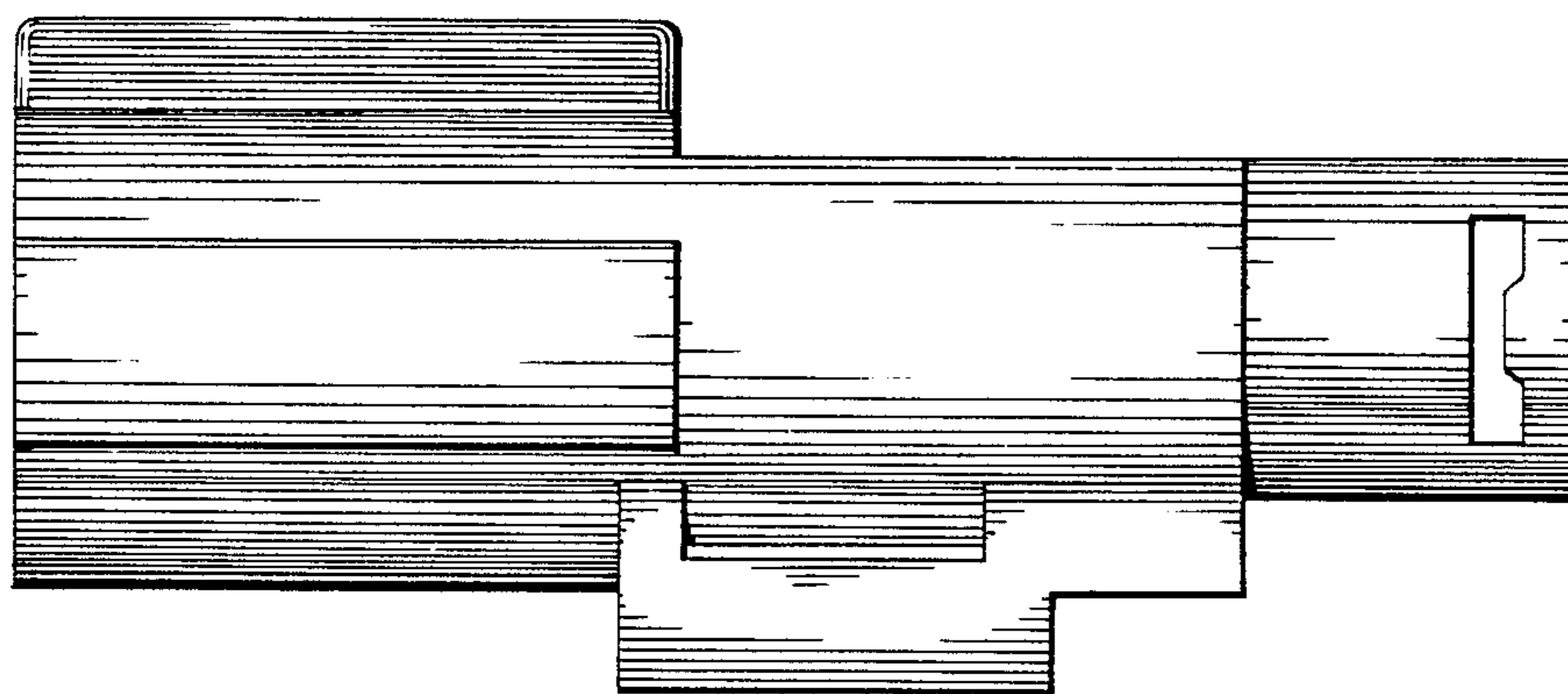


FIG 6

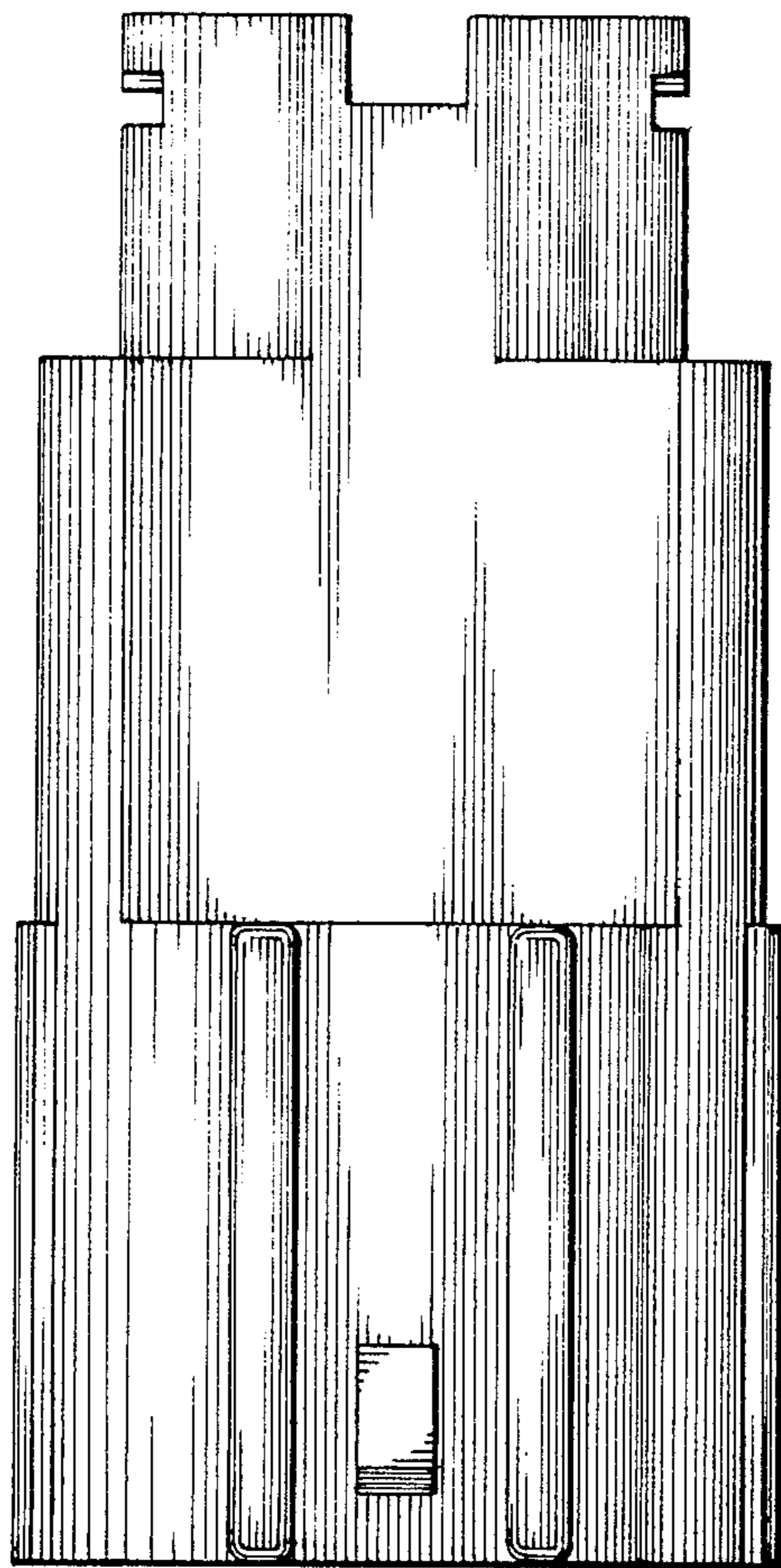


FIG 2

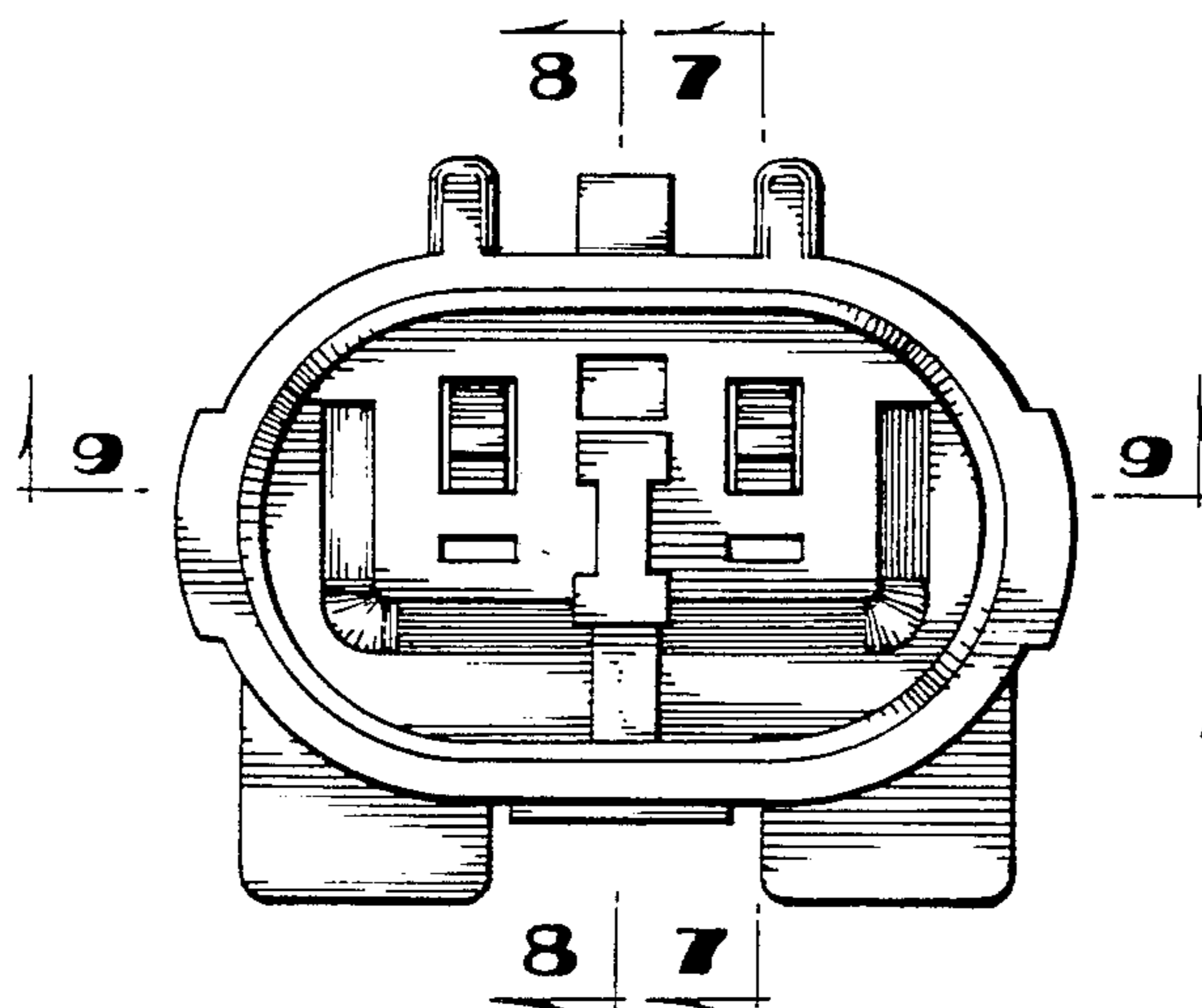


FIG 3

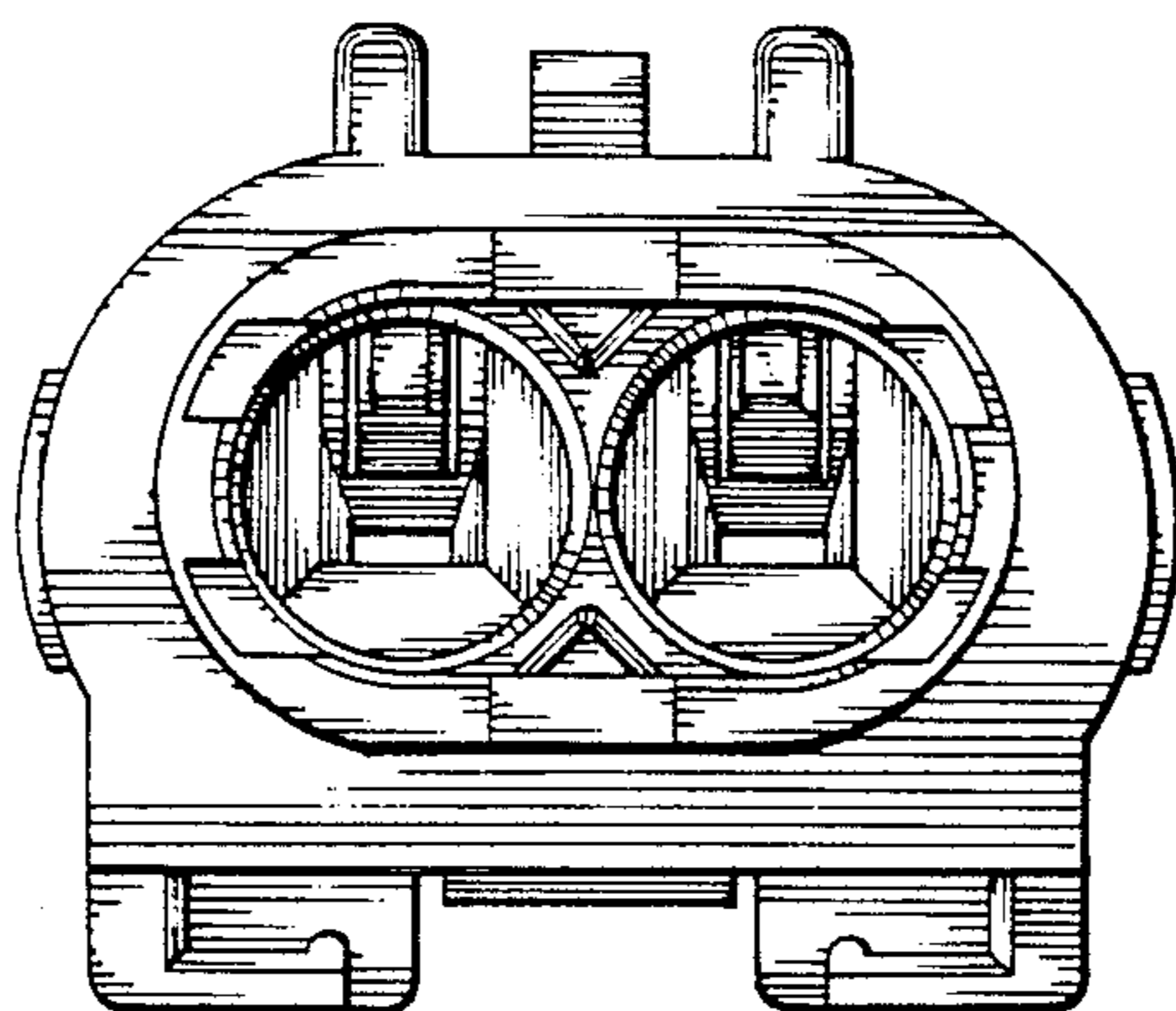


FIG 4

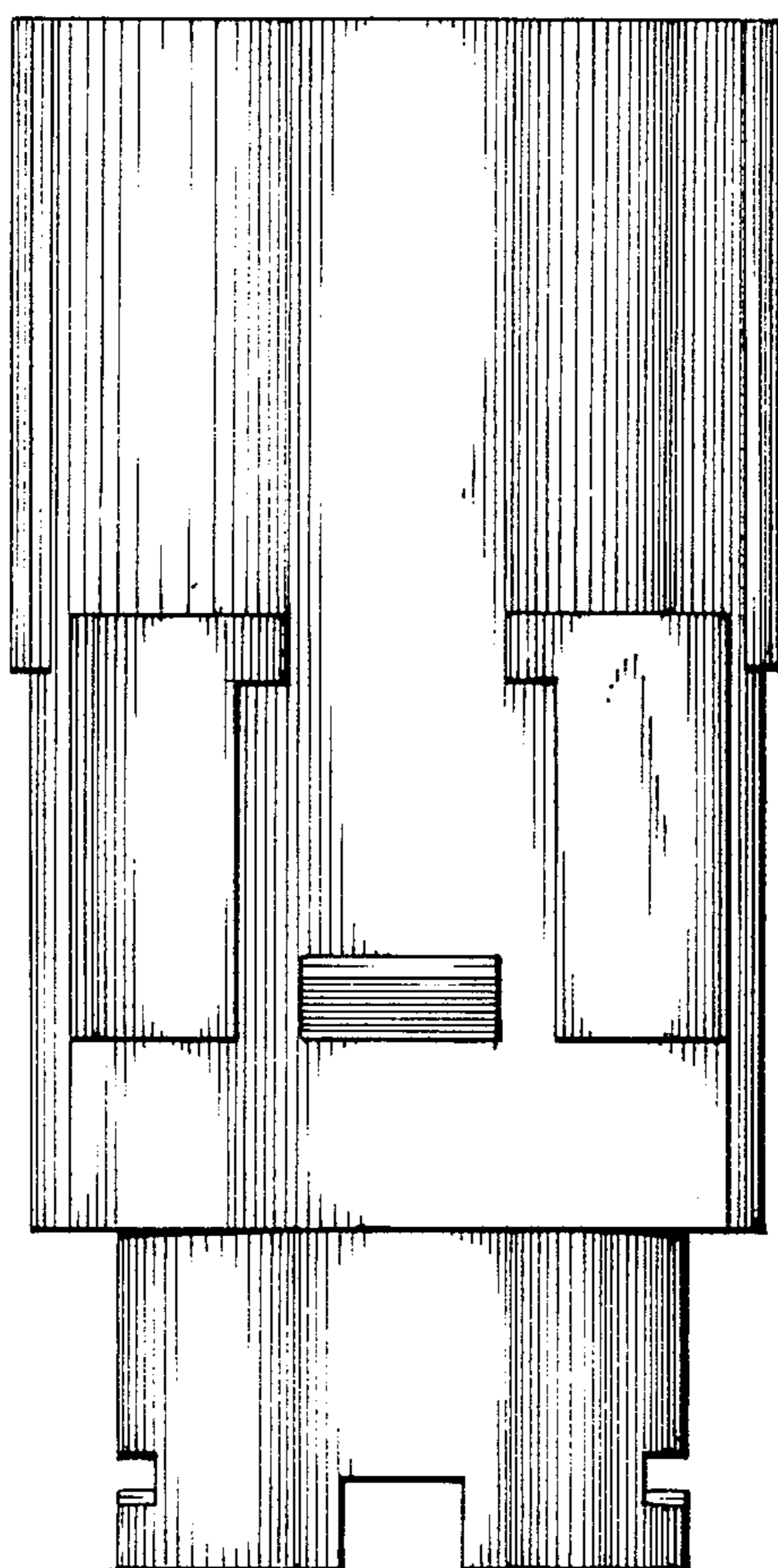


FIG 5

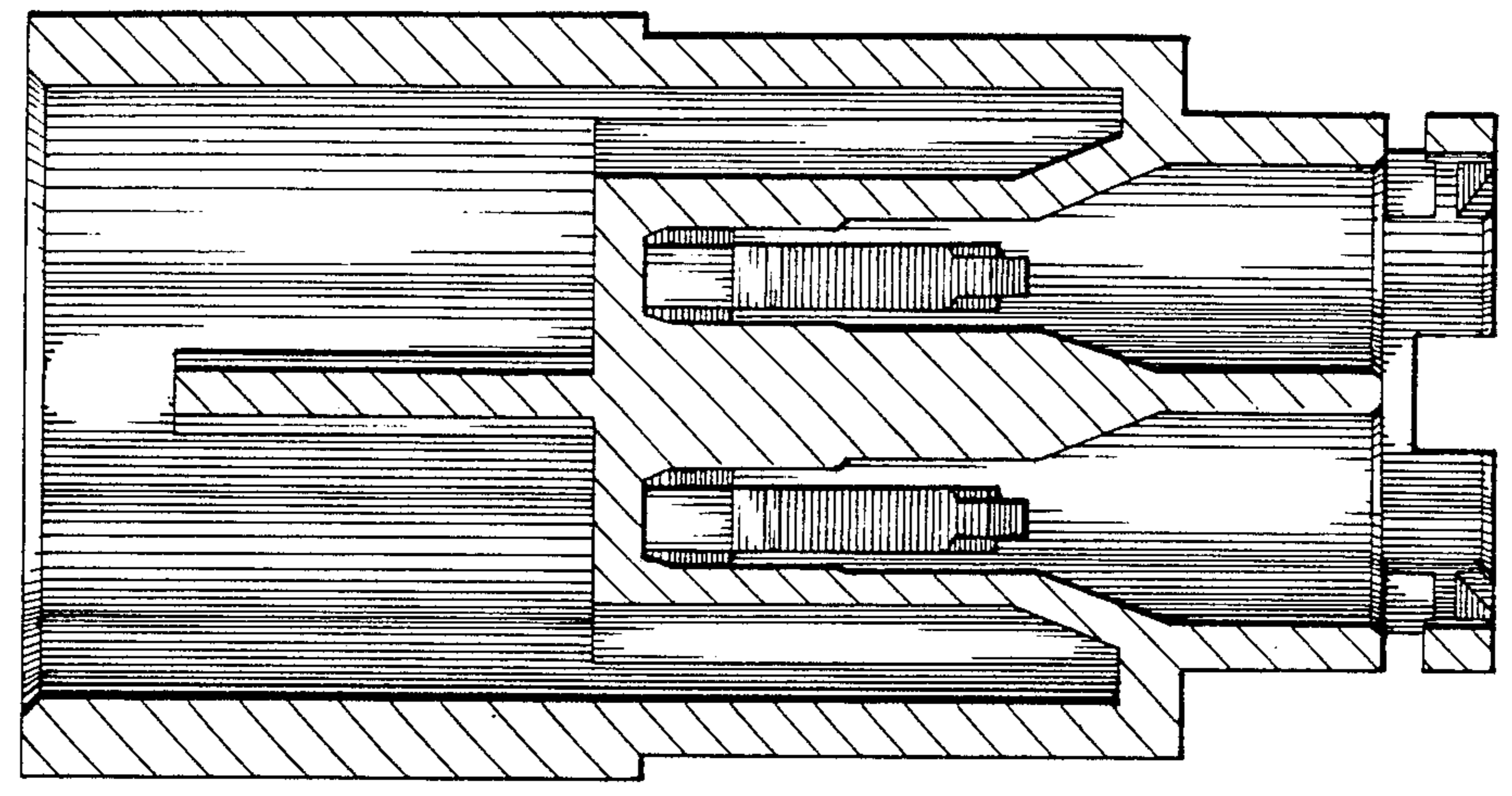


FIG 9

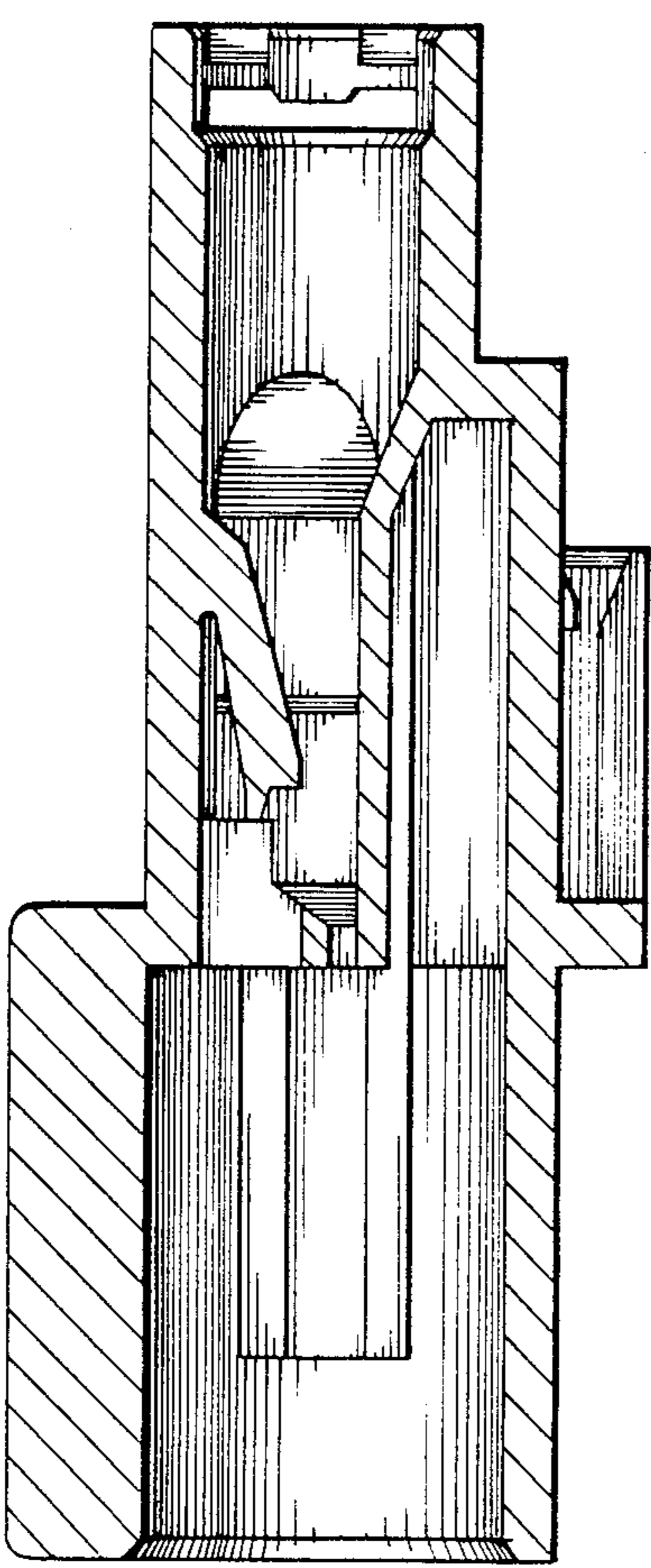


FIG 7

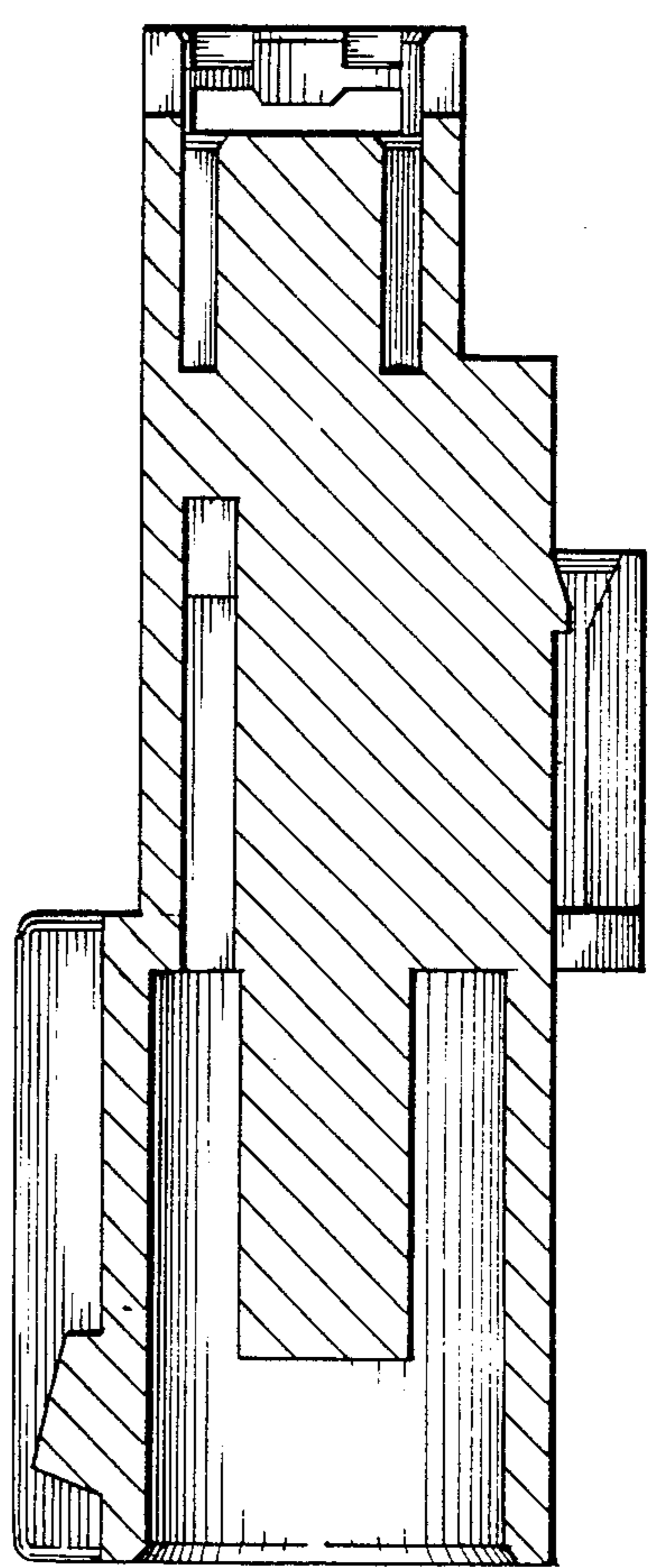


FIG 8