

[54] REMOTELY ACTIVATED SWITCH  
MODULE FOR CONTROLLING POWER  
USAGE OF AN APPLIANCE

2,984,725 5/1961 Hubbell et al. .... 174/66 X  
3,544,703 12/1970 Jones ..... 174/66  
4,451,108 5/1984 Skidmore ..... 439/536  
4,685,028 8/1987 Miller et al. .... 361/334

[75] Inventors: Robert J. Brown, Jr., Boca Raton,  
Fla.; Bahattin Erturk,  
Rollingmeadows; Jon W. Hauser,  
Geneva, both of Ill.

Primary Examiner—Susan J. Lucas  
Attorney, Agent, or Firm—Harry W. Barron

[73] Assignee: Teletimer International, Inc., Boca  
Raton, Fla.

[57] CLAIM

The ornamental design for a remotely activated switch  
module for controlling power usage of an appliance, as  
shown and described.

[\*\*] Term: 14 Years

[21] Appl. No.: 121,579

[22] Filed: Nov. 16, 1987

[52] U.S. Cl. .... D13/168; D8/353;  
D13/137

DESCRIPTION

[58] Field of Search ..... D13/24, 27-30,  
D13/11, 40, 41, 32; D8/350, 353; 439/678, 679,  
680, 577, 536, 535, 534

FIG. 1 is a top, front and left perspective view of a  
remotely activated switch module for controlling  
power usage of an appliance showing our new design;  
FIG. 2 is a bottom, rear and right perspective view  
thereof;

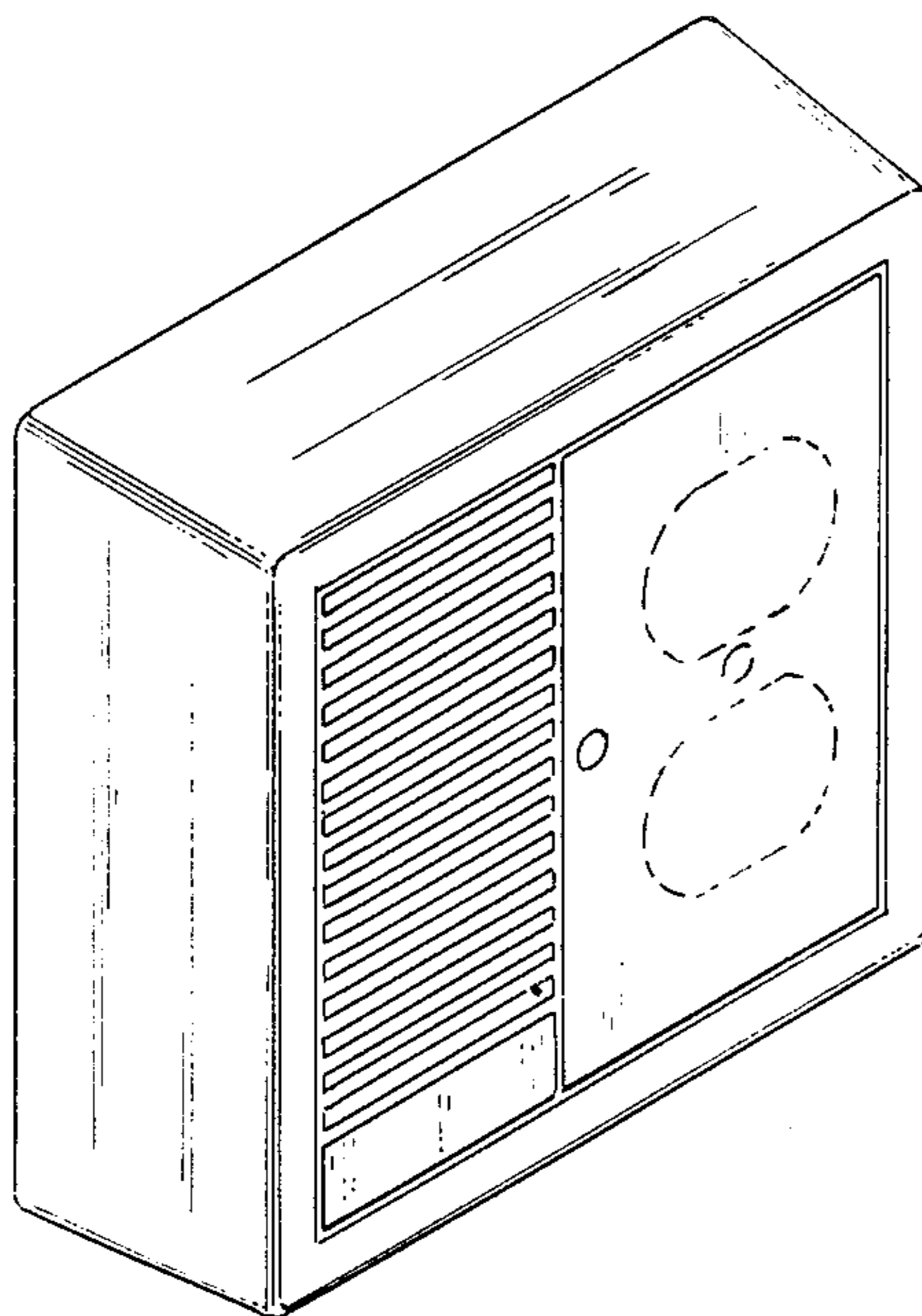
[56] References Cited

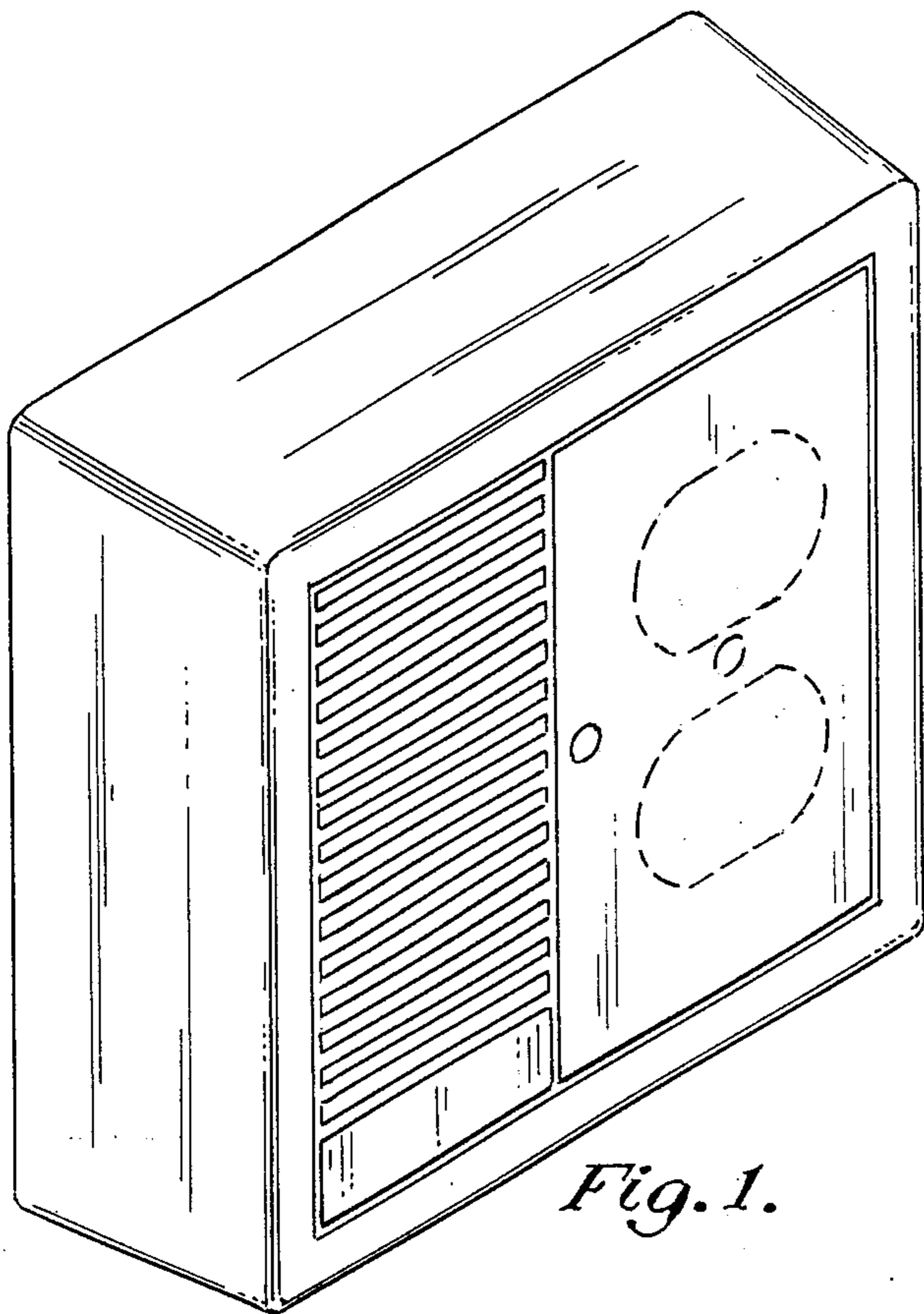
U.S. PATENT DOCUMENTS

D. 148,349 1/1948 Florian ..... D13/30

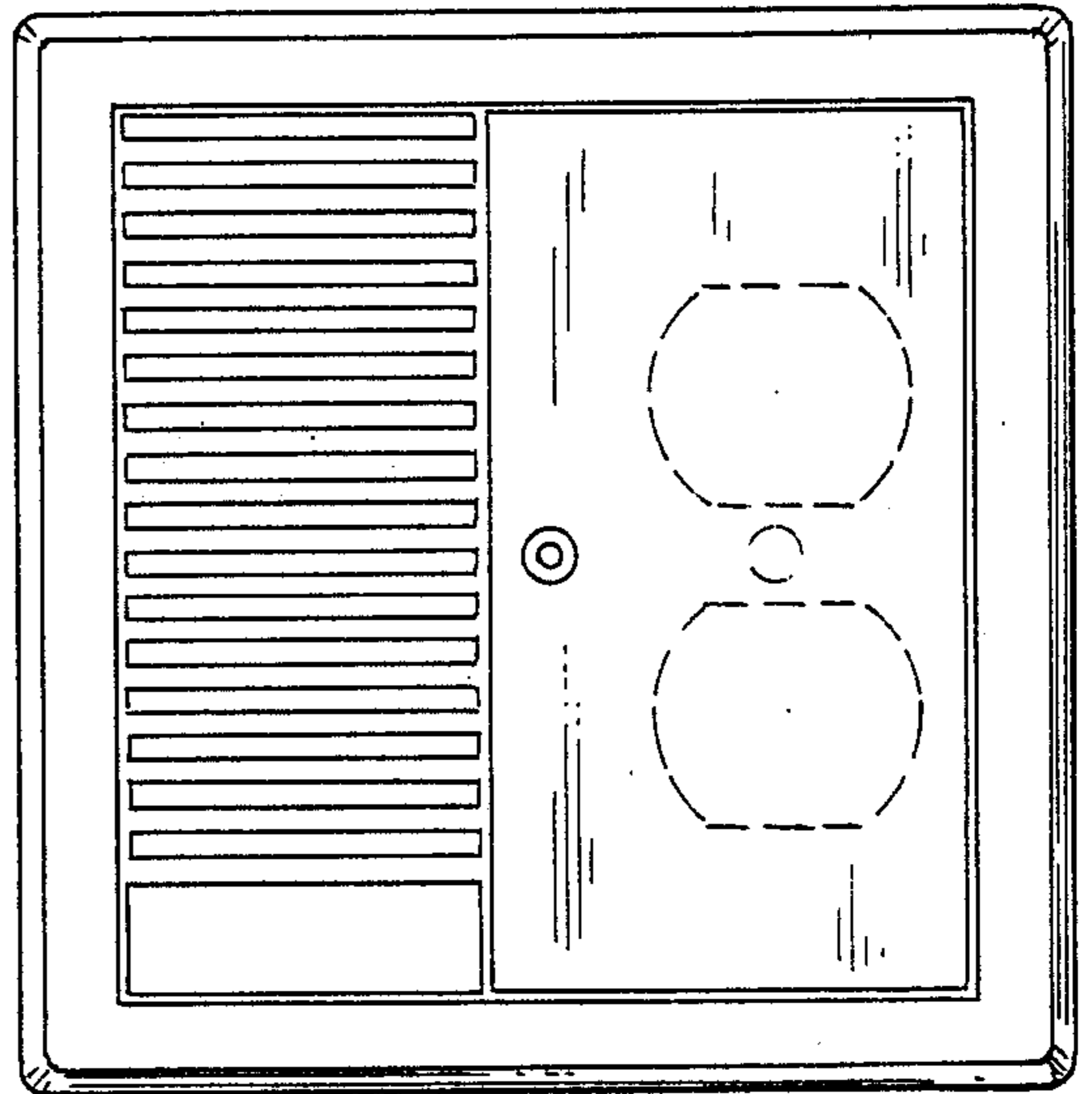
FIG. 3 is a front elevational view thereof;  
FIG. 4 is a rear elevational view thereof; and  
FIG. 5 is a top plan view thereof, the bottom plan and  
side elevation views being identical.

The broken lines shown in FIGS. 1 and 3 are for illus-  
trative purposes only.

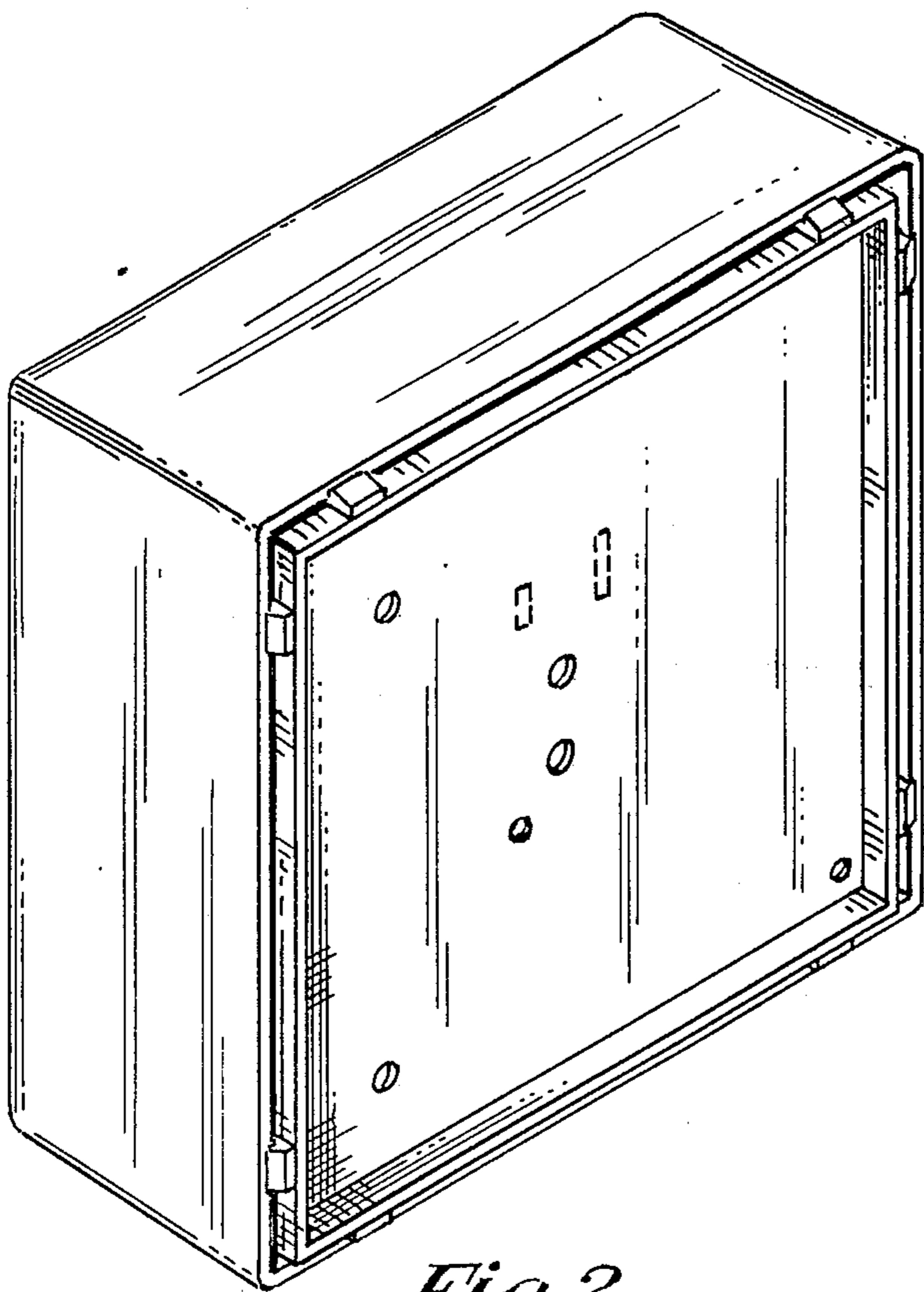




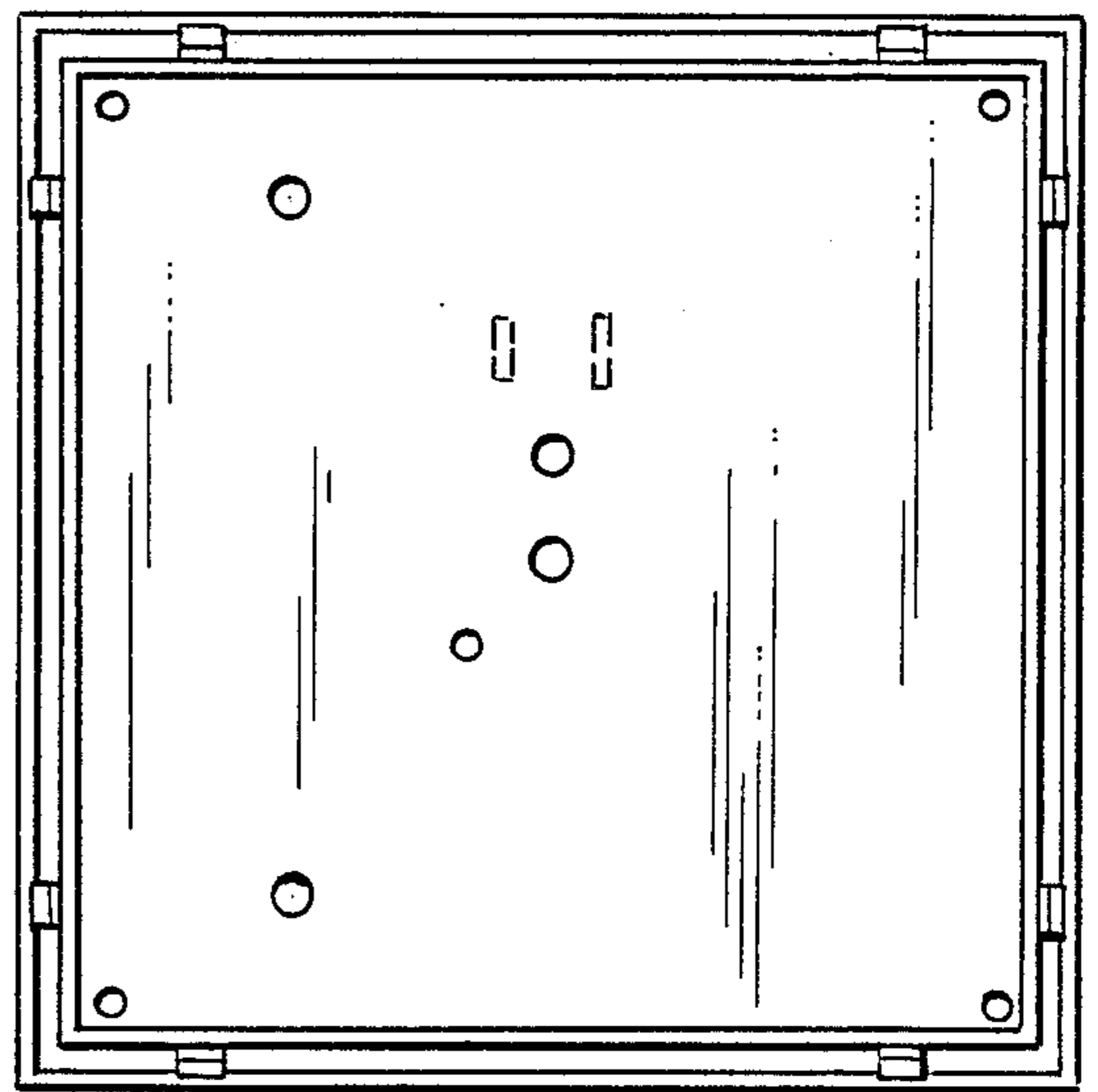
*Fig. 1.*



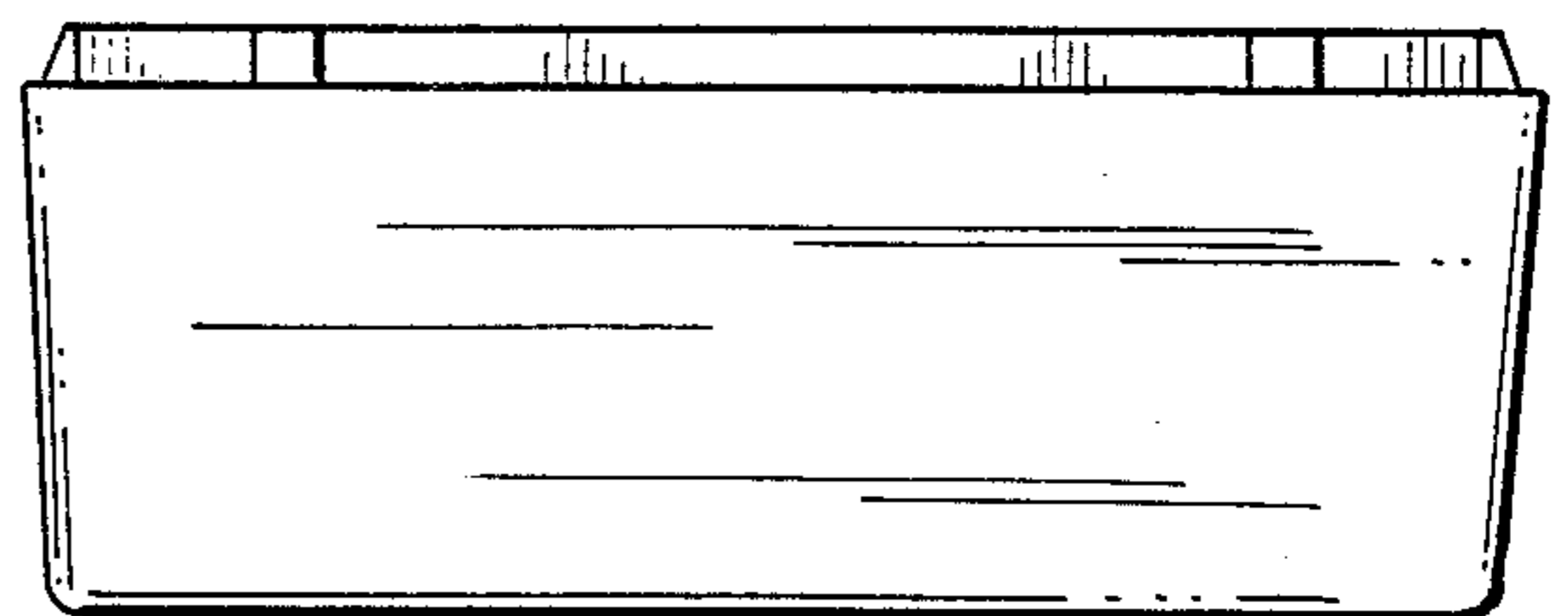
*Fig. 3.*



*Fig. 2.*



*Fig. 4.*



*Fig. 5.*