

[54] EXPLOSION-PROOF CONTROL ENCLOSURE

[75] Inventors: Robert D. Eggleston, Syracuse; James A. Caryl, Camillus, both of N.Y.

[73] Assignee: Cooper Industries, Inc., Houston, Tex.

[**] Term: 14 Years

[21] Appl. No.: 277,093

[22] Filed: Nov. 28, 1988

[52] U.S. Cl. D13/162; D13/184

[58] Field of Search D13/13, 31, 35, 40; 174/50, 52.1; 220/4 R, 4 B, 4 E, 3.8; 379/397, 399; 361/356

[56] References Cited

U.S. PATENT DOCUMENTS

D. 274,145 6/1984 Kimberlin D13/40
4,664,281 5/1987 Falk et al. 174/50 X

OTHER PUBLICATIONS

Enclosures on p. 34 of *Electrical Construction & Maintenance*, Feb. 1985.

Enclosures on p. 57 of *Electrical Constructions & Maintenance*, 2-'85.

Enclosure on p. 112 of *Electrical Construction & Maintenance*, Oct. 1985.

Allen-Bradley Equipment Enclosure on p. 160 of the Nov. 1985 issue of *Electrical Construction and Maintenance*.

Primary Examiner—Susan J. Lucas

Assistant Examiner—Joel Sincavage

Attorney, Agent, or Firm—Eddie E. Scott; Nelson A. Blish; Alan R. Thiele

[57] CLAIM

The ornamental design for explosion-proof control enclosure, as shown and described.

DESCRIPTION

FIG. 1 is a perspective view of our design for an explosion-proof control enclosure;

FIG. 2 is a top plan view thereof;

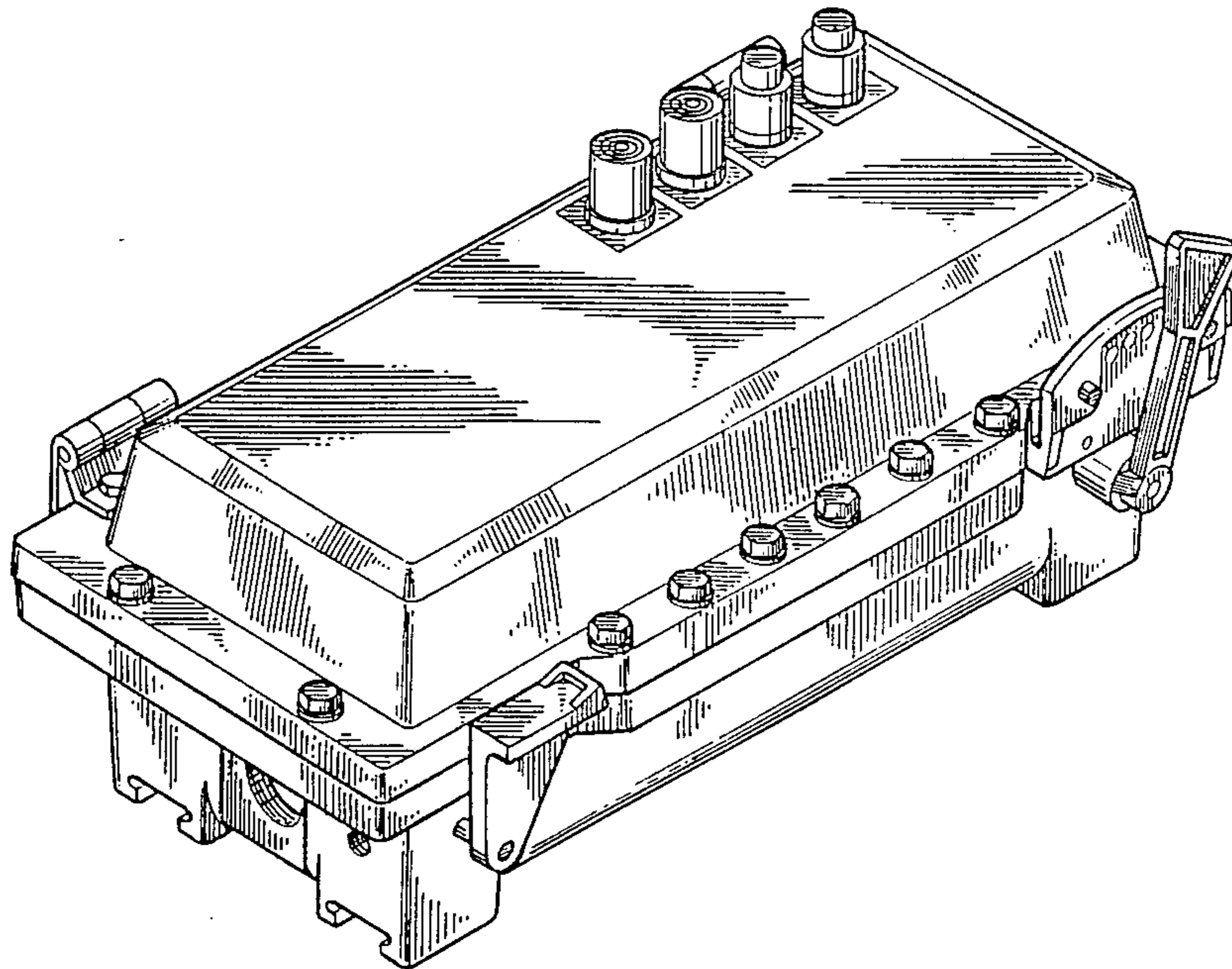
FIG. 3 is a left side elevational view thereof;

FIG. 4 is a bottom plan view thereof;

FIG. 5 is a right side elevational view thereof;

FIG. 6 is a rear elevational view thereof; and

FIG. 7 is a front elevational view thereof.



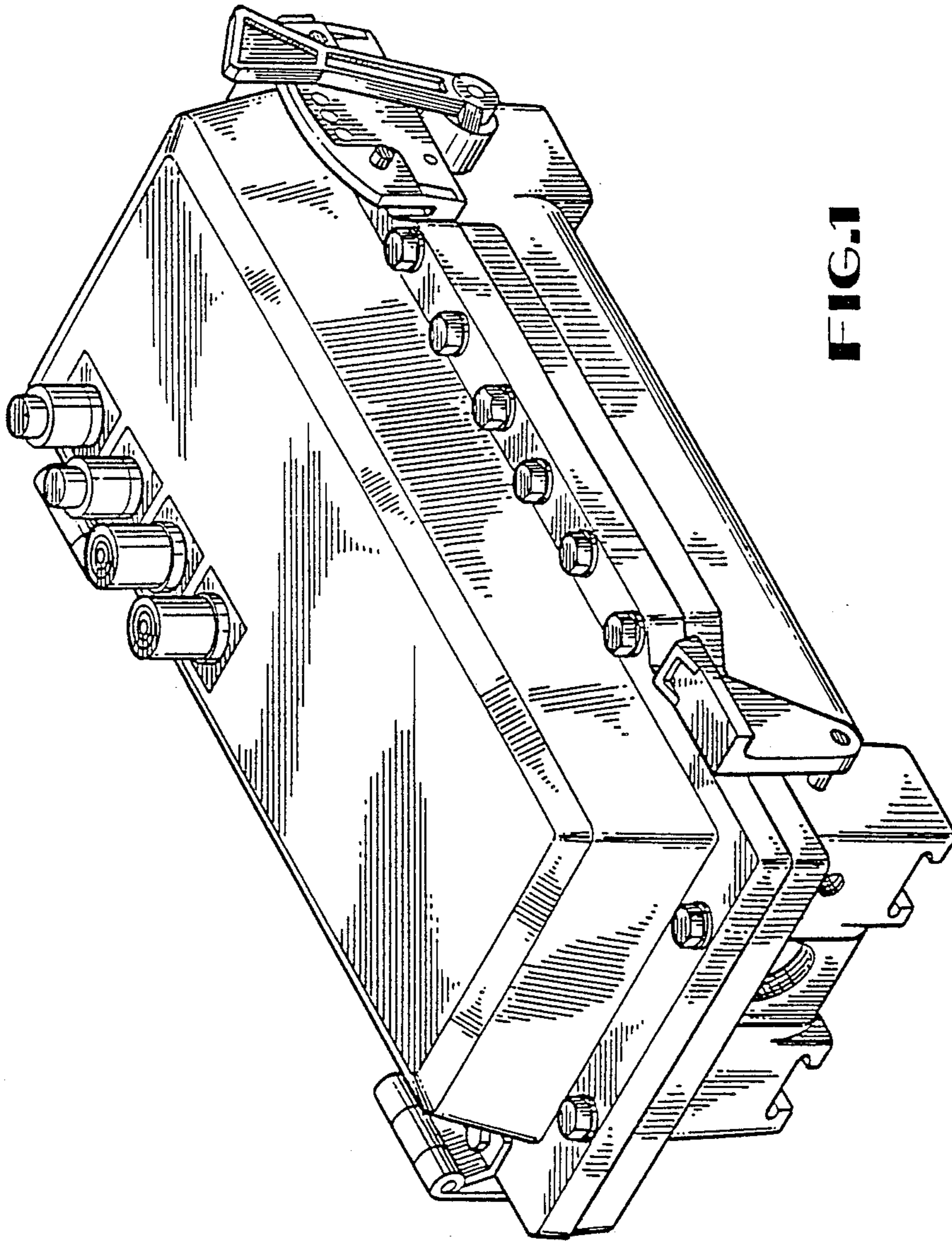


FIG. 1

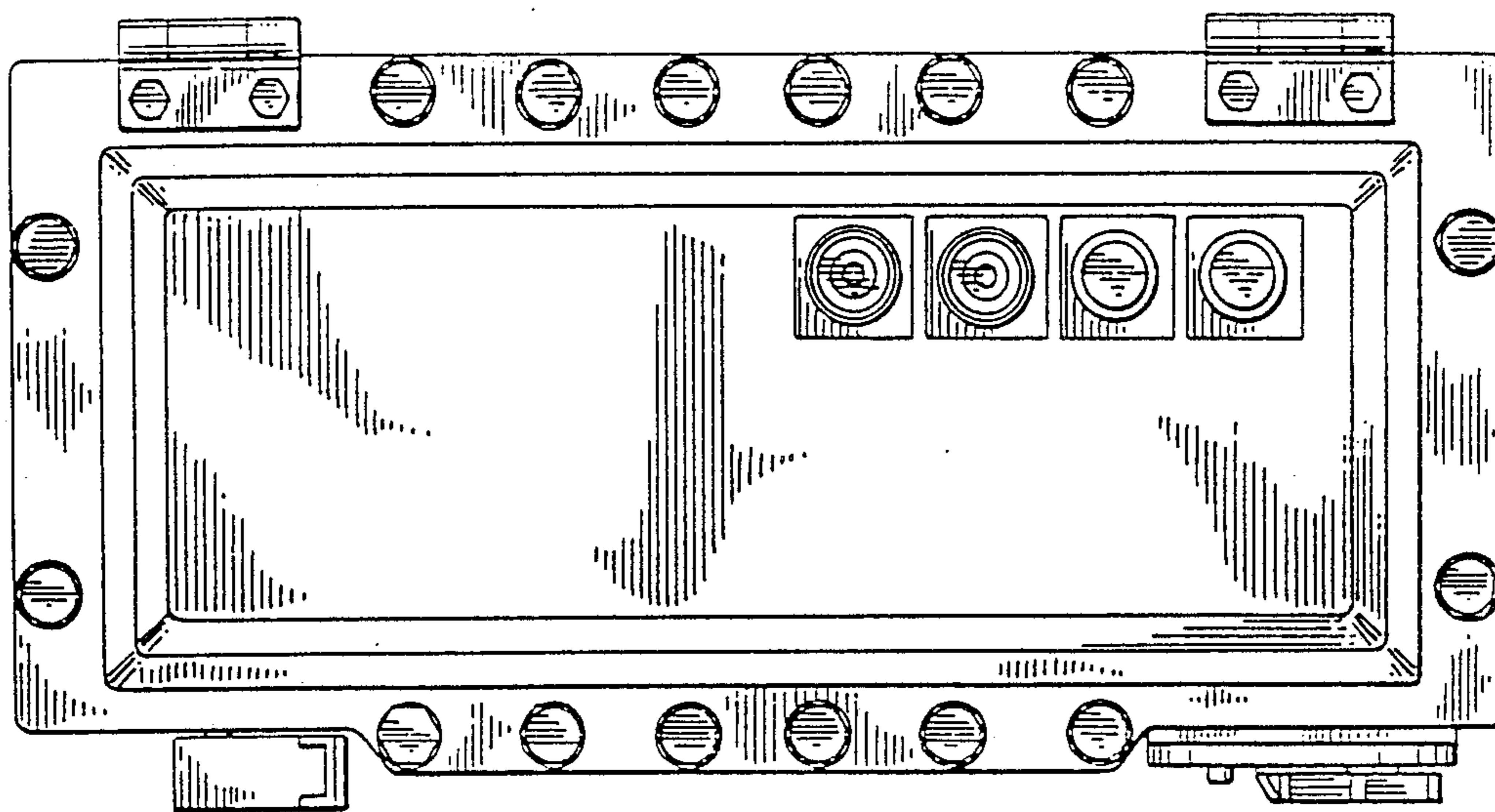


FIG. 2

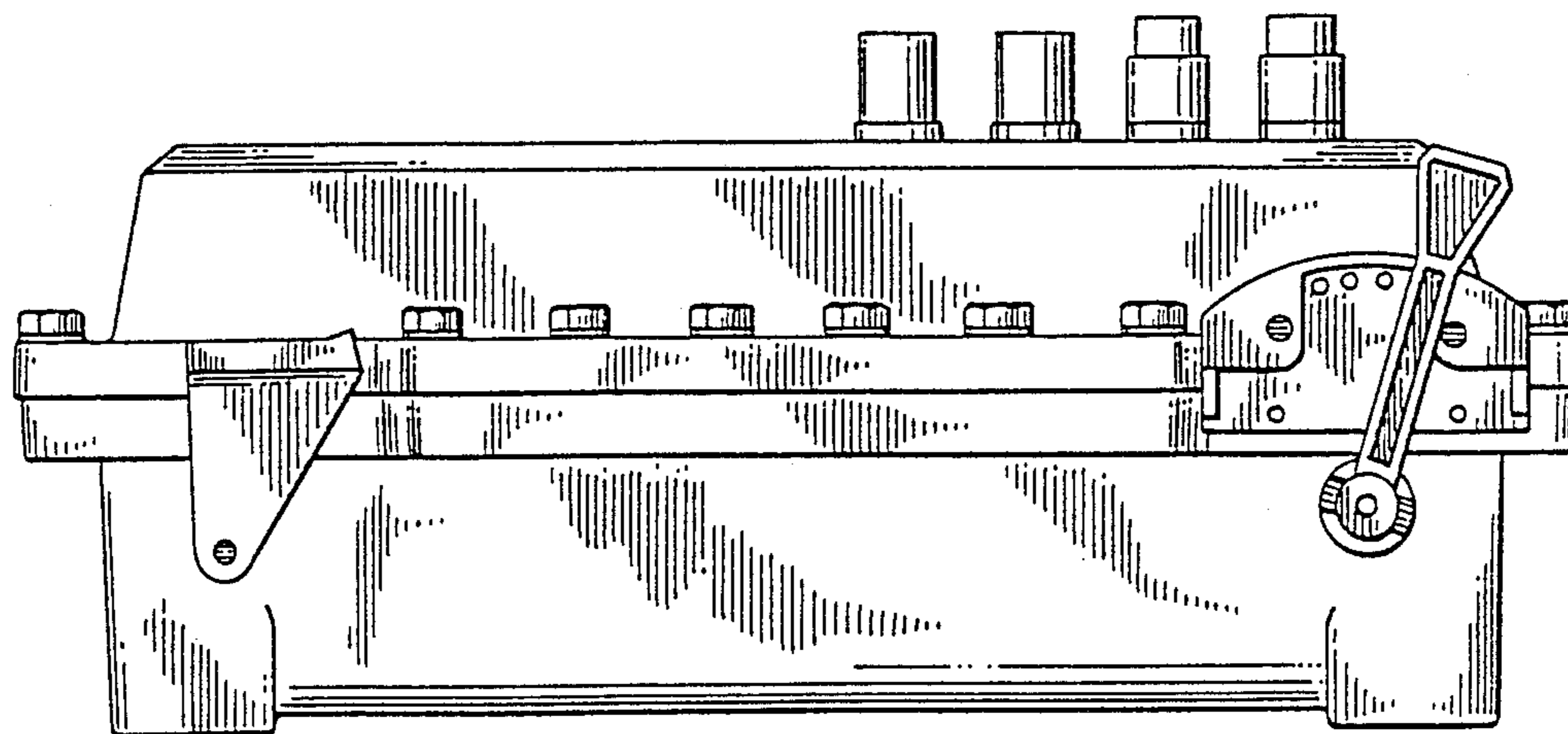


FIG. 3

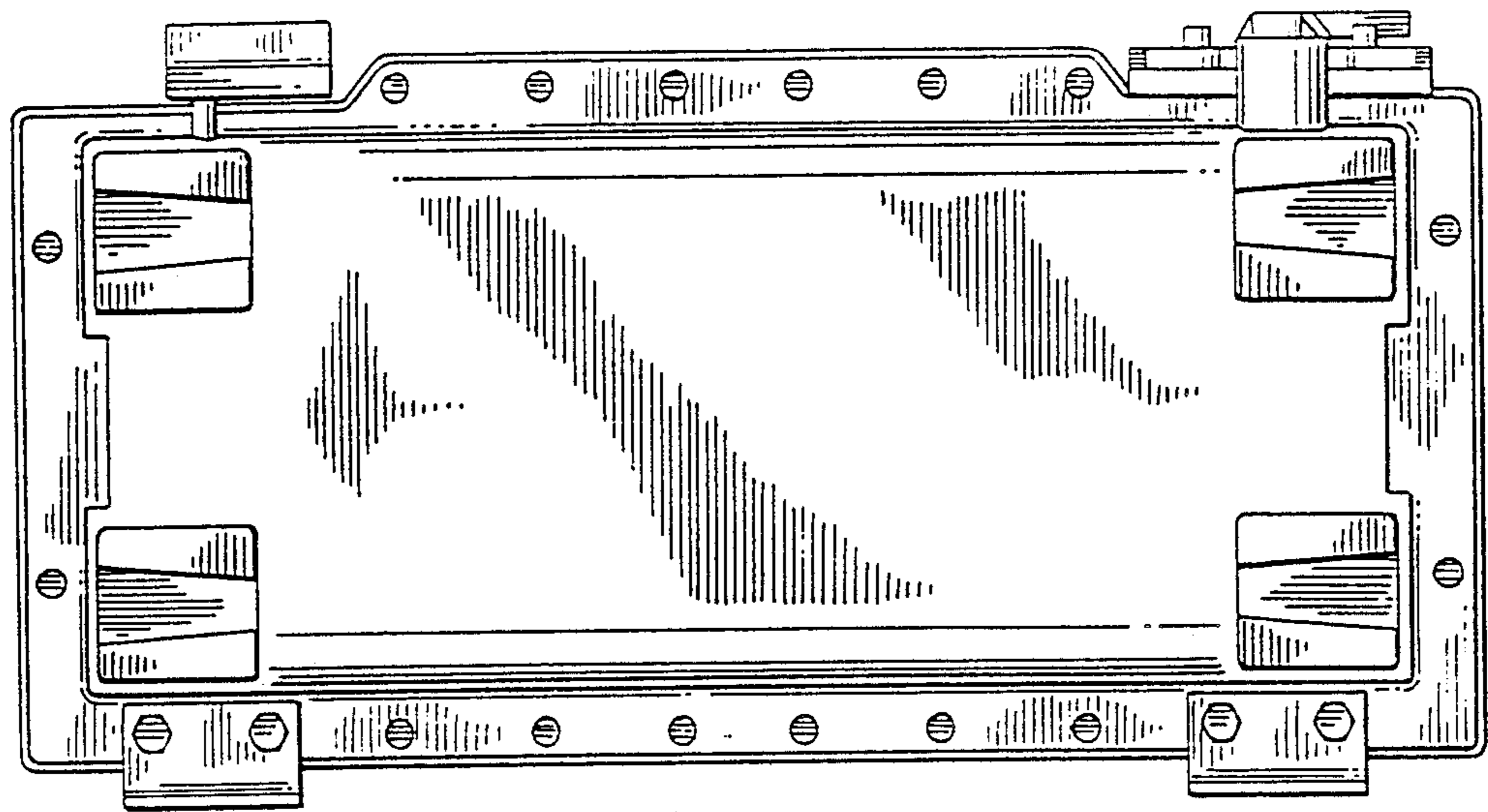


FIG. 4

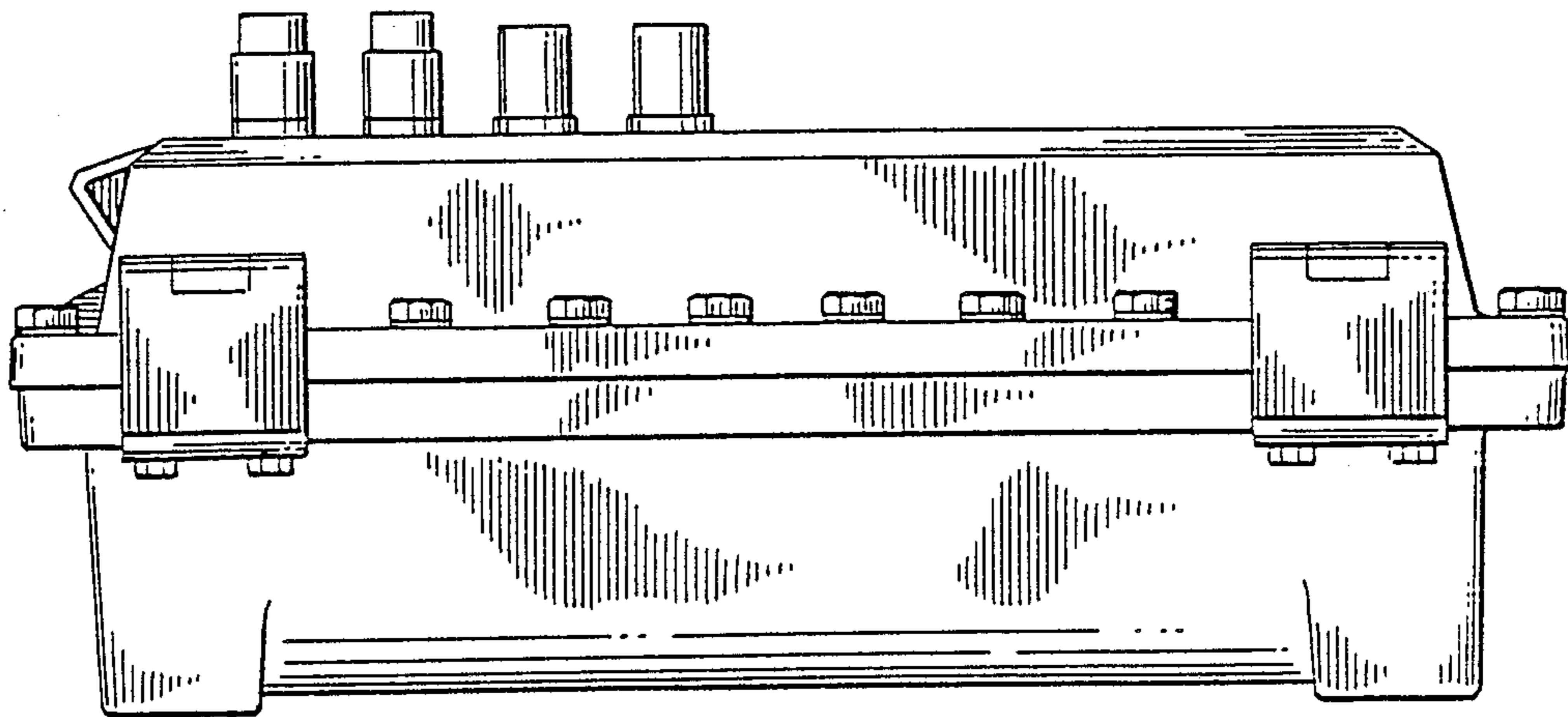


FIG. 5

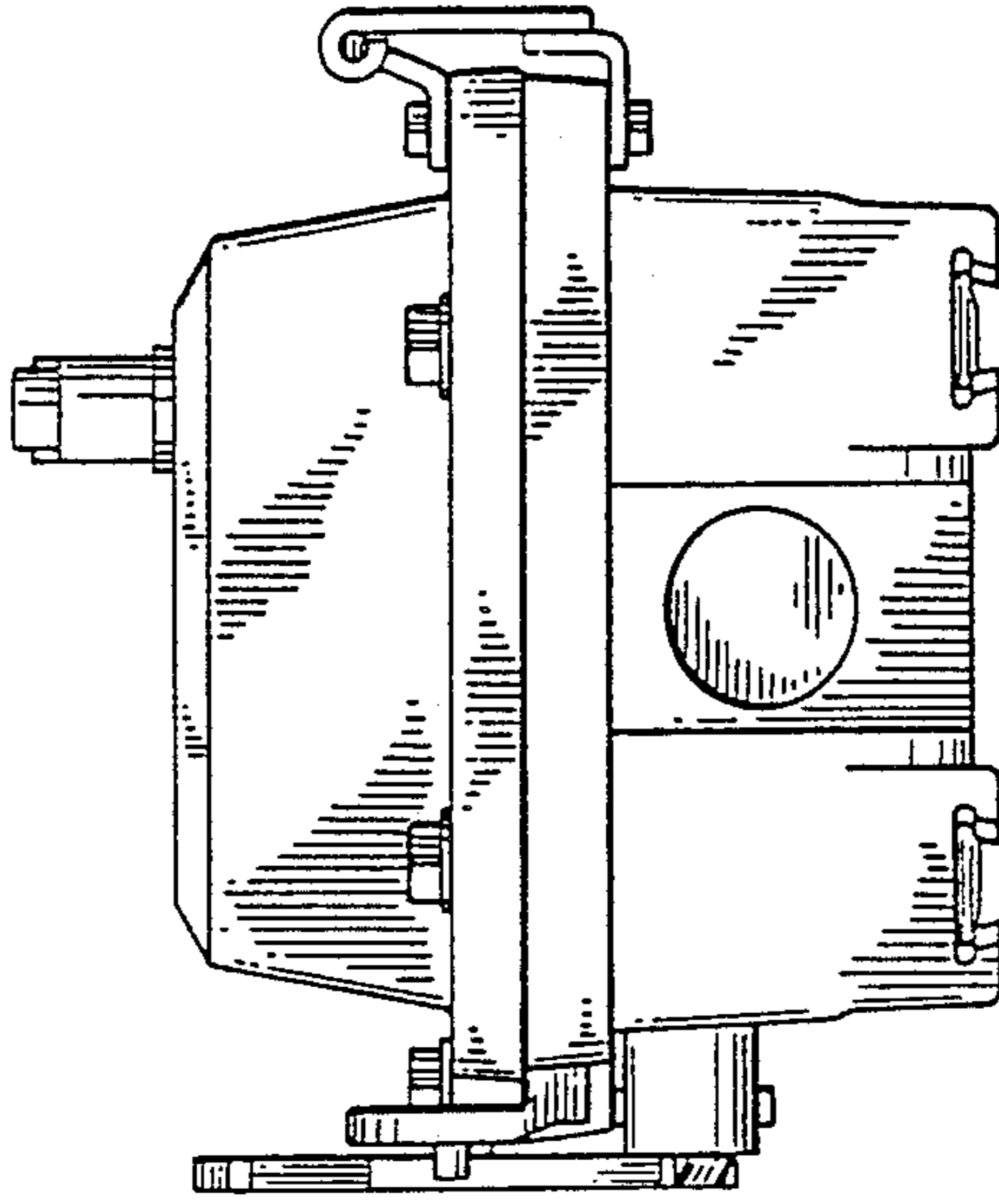


FIG. 7

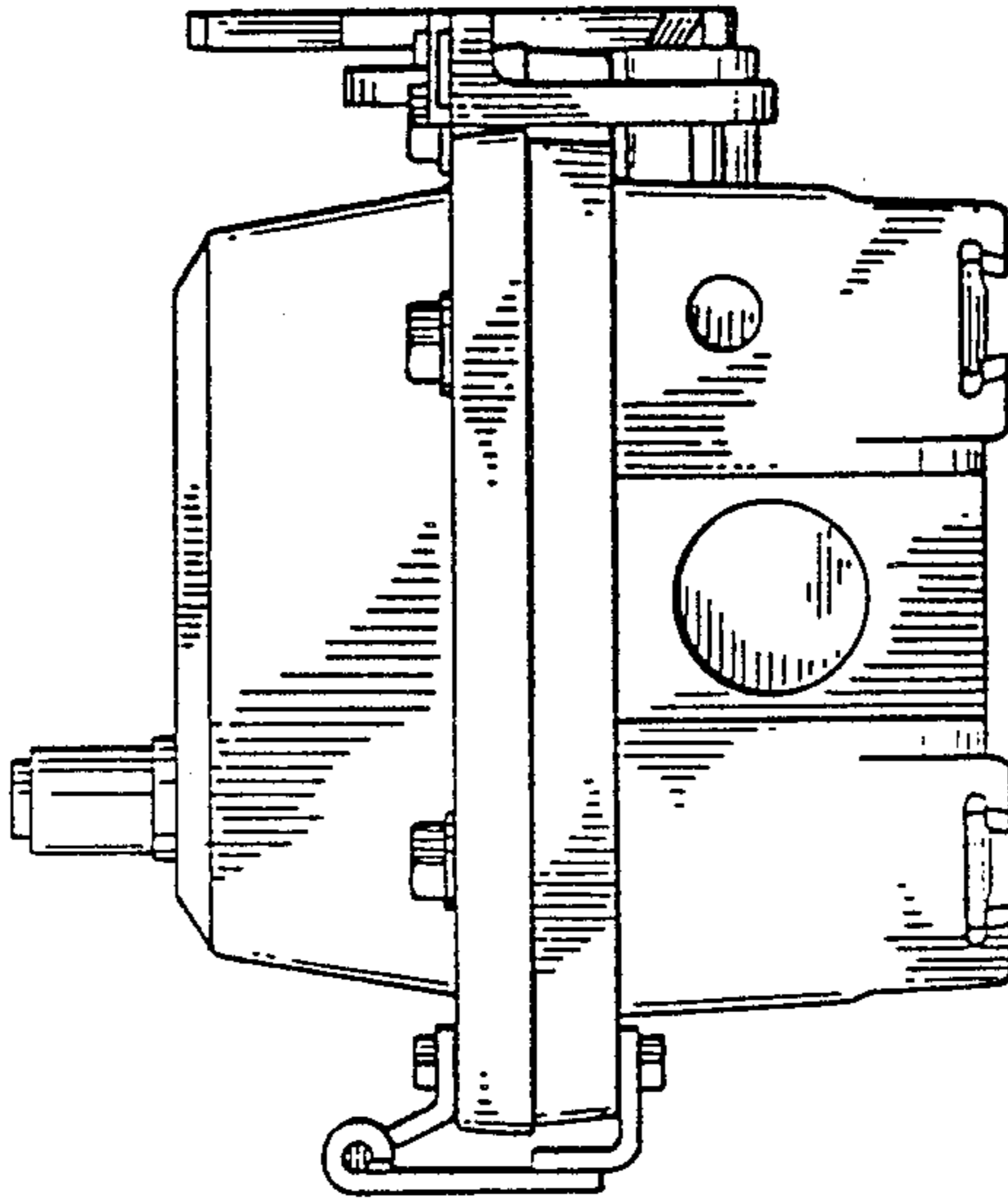


FIG. 6