

[54] FRONT WHEEL BALANCER
 [75] Inventor: Frank L. Whitsel, Grapevine, Tex.
 [73] Assignee: F & F Industries, Inc., Ft. Worth, Tex.
 [**] Term: 14 Years
 [21] Appl. No.: 319,905
 [22] Filed: Mar. 3, 1989

3,316,021 4/1967 Salathiel 301/5
 3,339,429 9/1967 Whitlock 74/573
 3,346,303 10/1967 Wesley 301/5
 3,376,074 4/1968 Whitlock 301/5
 3,376,075 4/1968 Mitchell 301/5 BA
 3,400,982 9/1968 Cole et al. 301/5
 3,408,111 10/1968 Foote 301/5
 3,427,076 2/1969 Cole et al. 301/5
 3,427,077 2/1969 Cole et al. 301/5 BA
 3,897,977 8/1975 de Meurisse 301/5 BA

Related U.S. Application Data

[63] Continuation of Ser. No. 827,737, Feb. 10, 1986, abandoned.
 [52] U.S. Cl. D12/213
 [58] Field of Search D12/213, 153; 301/5 B, 301/5 BA

References Cited

U.S. PATENT DOCUMENTS

414,642 11/1889 Herrick 74/573 R
 1,209,730 12/1916 Leblanc 74/573 R
 3,166,356 1/1965 Sutherland et al. 301/5

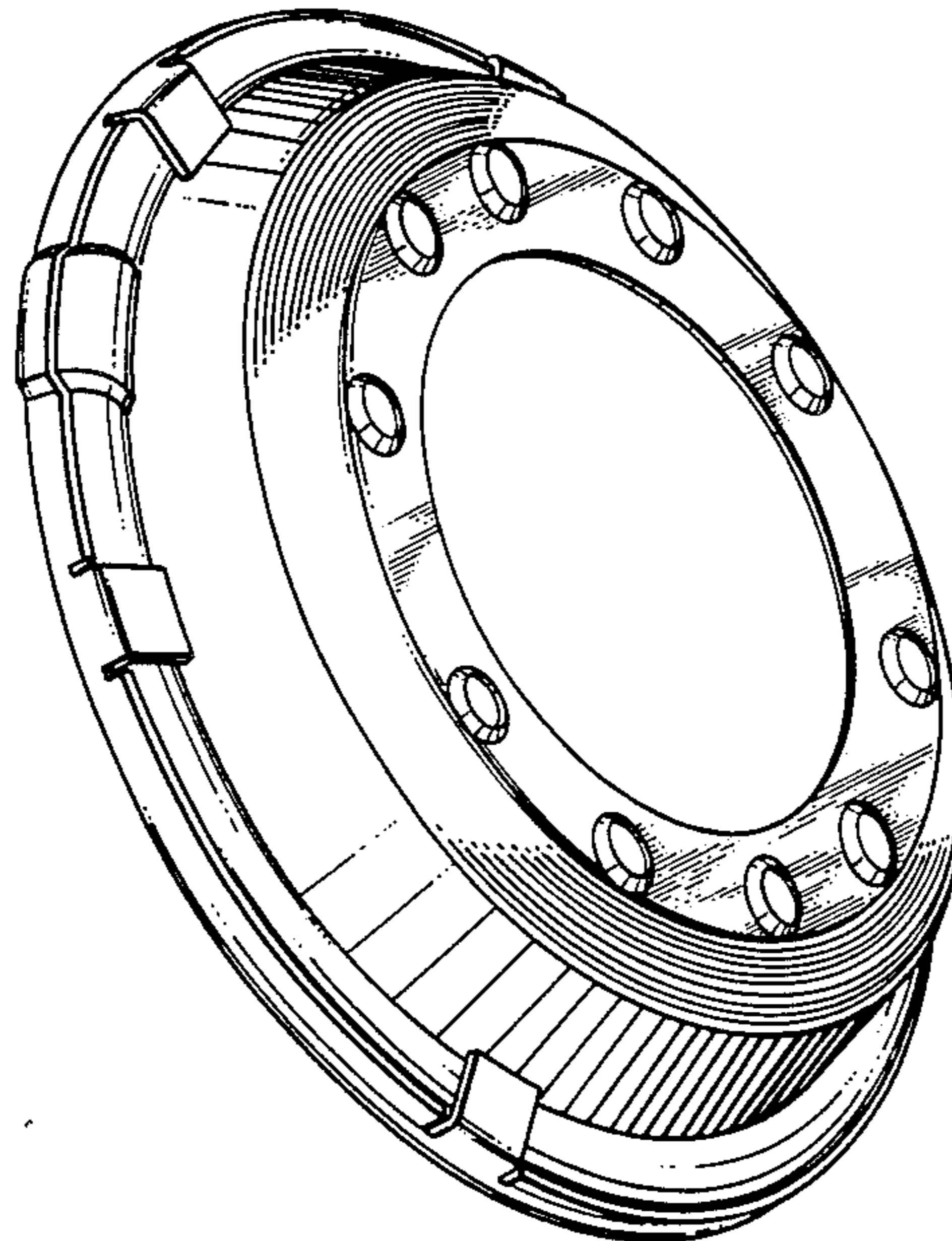
Primary Examiner—James M. Gandy
 Attorney, Agent, or Firm—James E. Bradley

[57] CLAIM

The ornamental design for a front wheel balancer, as shown and described.

DESCRIPTION

FIG. 1 is an isometric view of one side of the front wheel balancer.
 FIG. 2 is an isometric view of the other side of the front wheel balancer.
 FIG. 3 is an enlarged elevation view of the side of the front wheel balancer shown in FIG. 2.



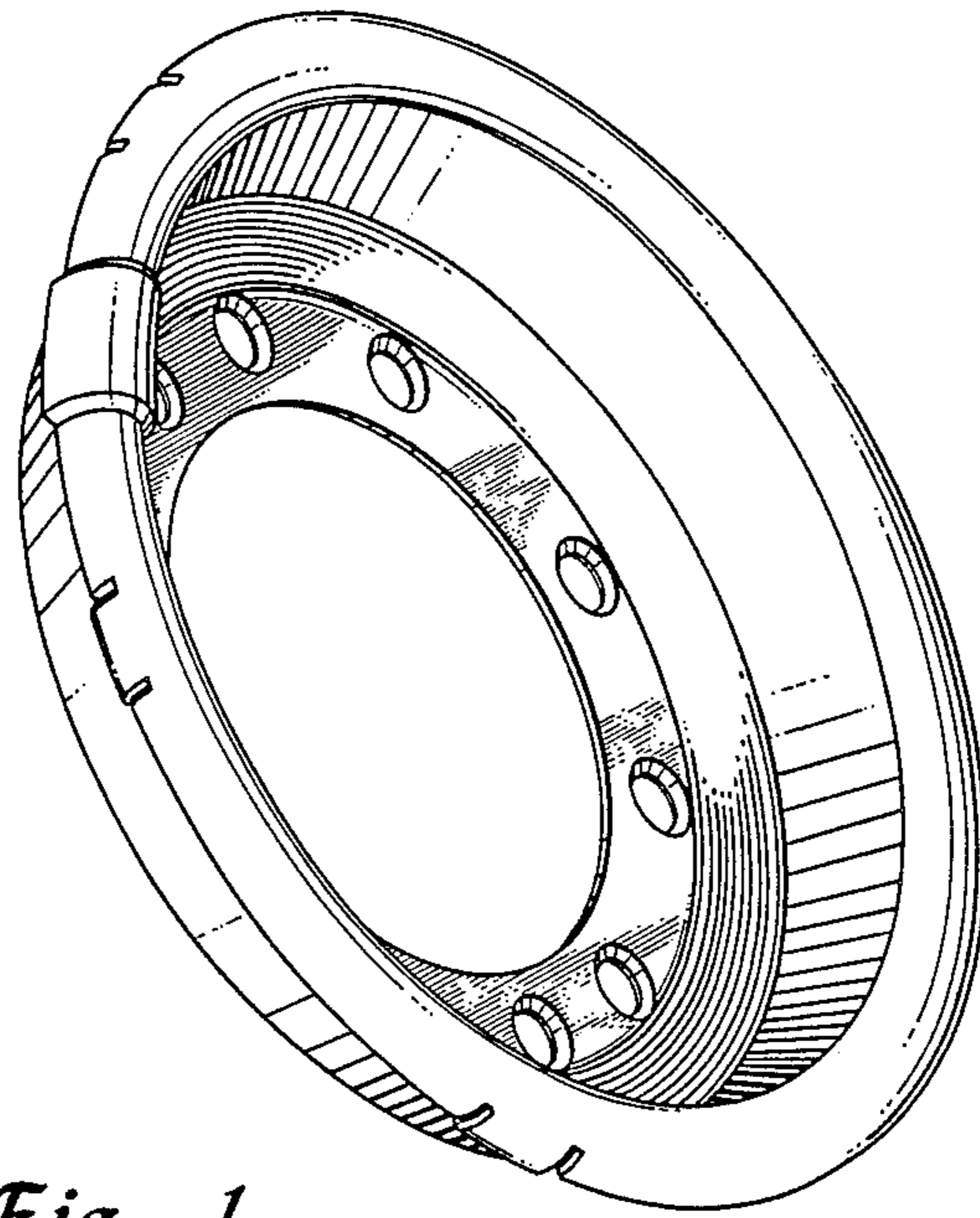


Fig. 1

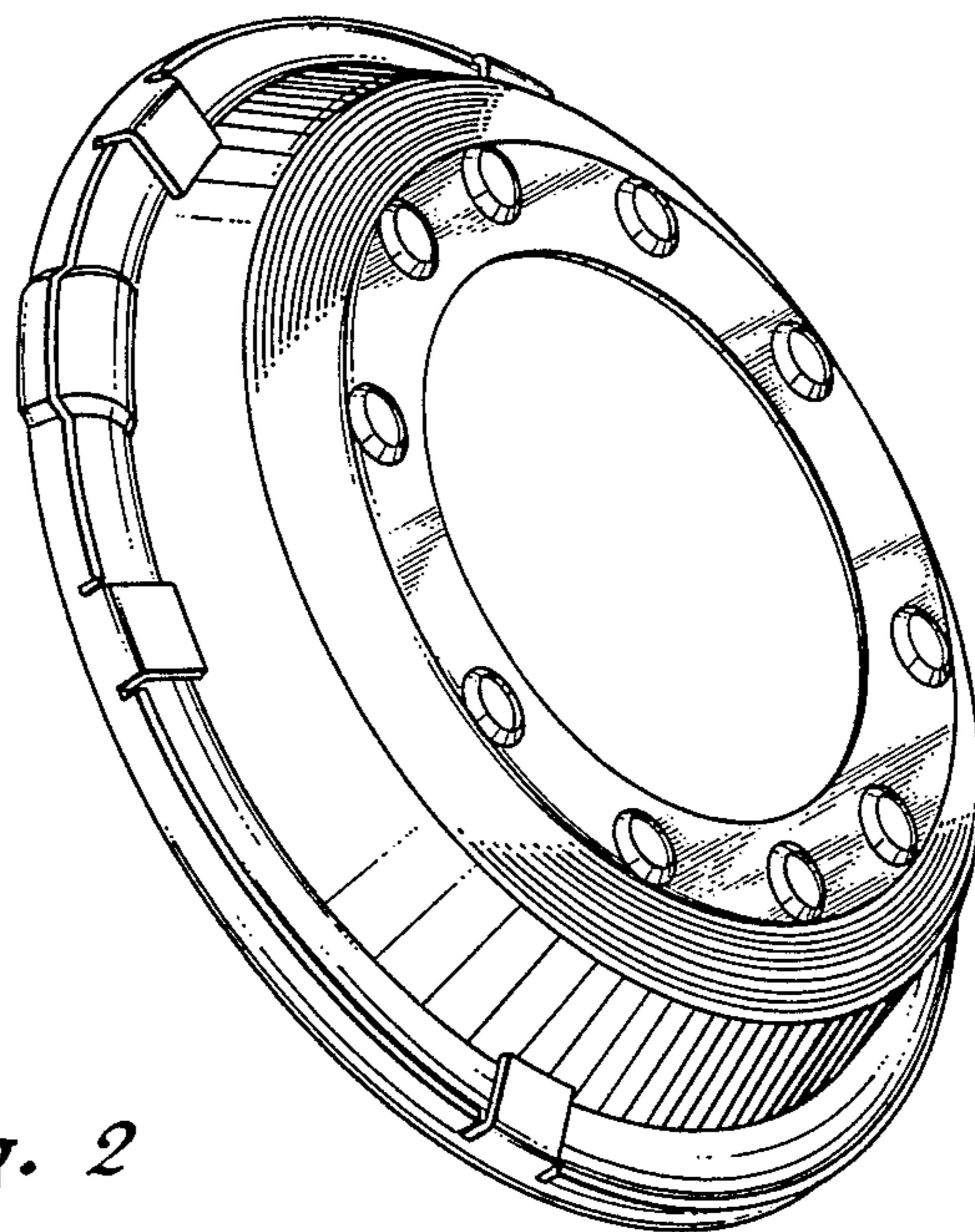


Fig. 2

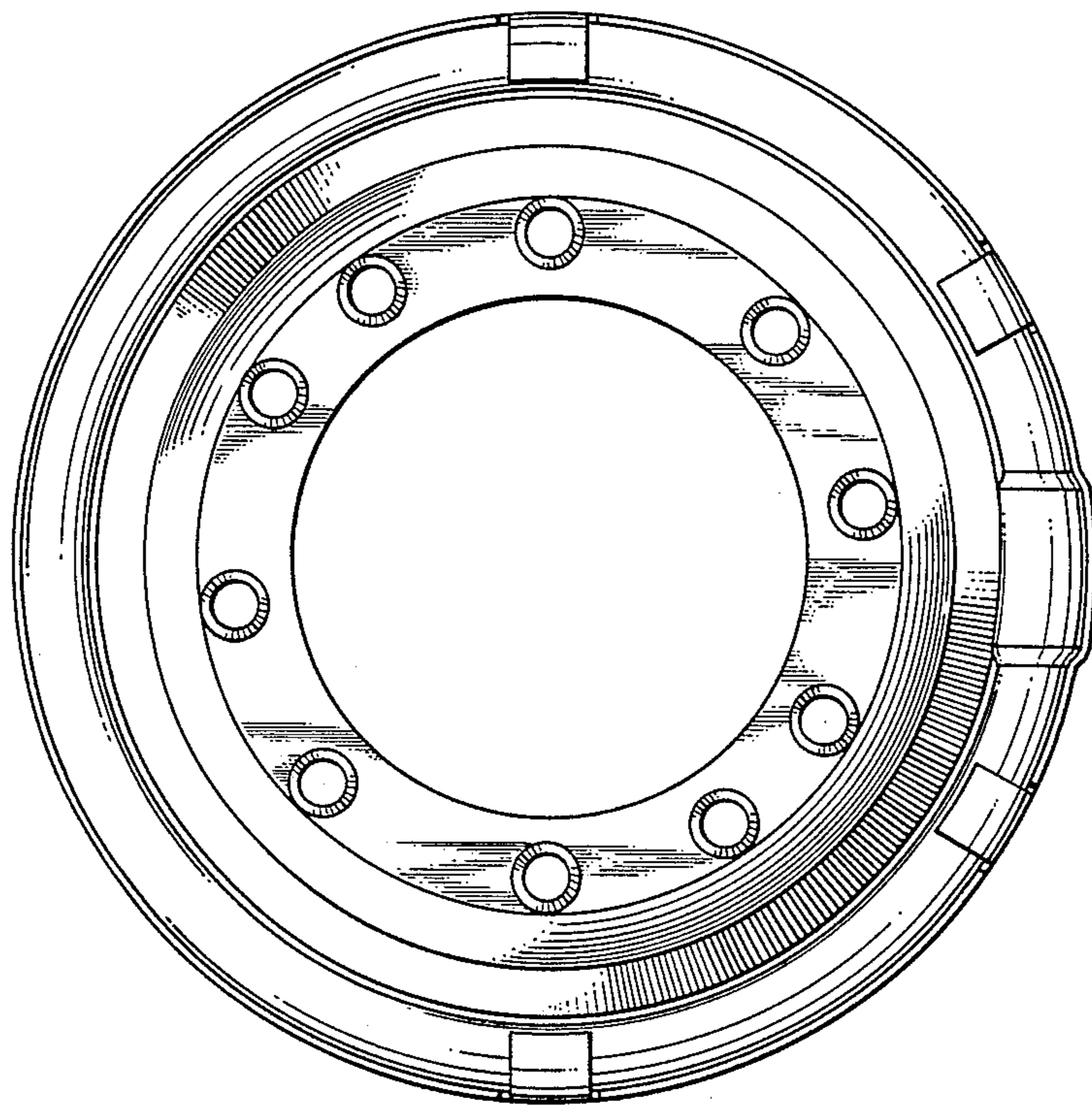


Fig. 3