

[54] INTEGRAL TRUCK CAB FRONT NOSE PANEL, GRILLE AND RECESSED HEADLIGHTS

[75] Inventors: Huston Marlowe, Orinda; John Foot, Fremont, both of Calif.

[73] Assignee: Paccar, Inc., Bellevue, Wash.

[**] Term: 14 Years

[21] Appl. No.: 245,070

[22] Filed: Sep. 15, 1988

[52] U.S. Cl. D12/96

[58] Field of Search D12/96, 97, 181, 163; 296/181, 183, 190, 193, 194, 196, 197; 180/89.1, 89.12

[56] References Cited

U.S. PATENT DOCUMENTS

D. 268,259 3/1983 Lindsley D12/96

OTHER PUBLICATIONS

Commercial Carrier Journal, 6/88, p. 21, front panel of freightliner truck cab.

Primary Examiner—James M. Gandy
Attorney, Agent, or Firm—Flehr, Hohbach, Test, Albritton & Herbert

[57] CLAIM

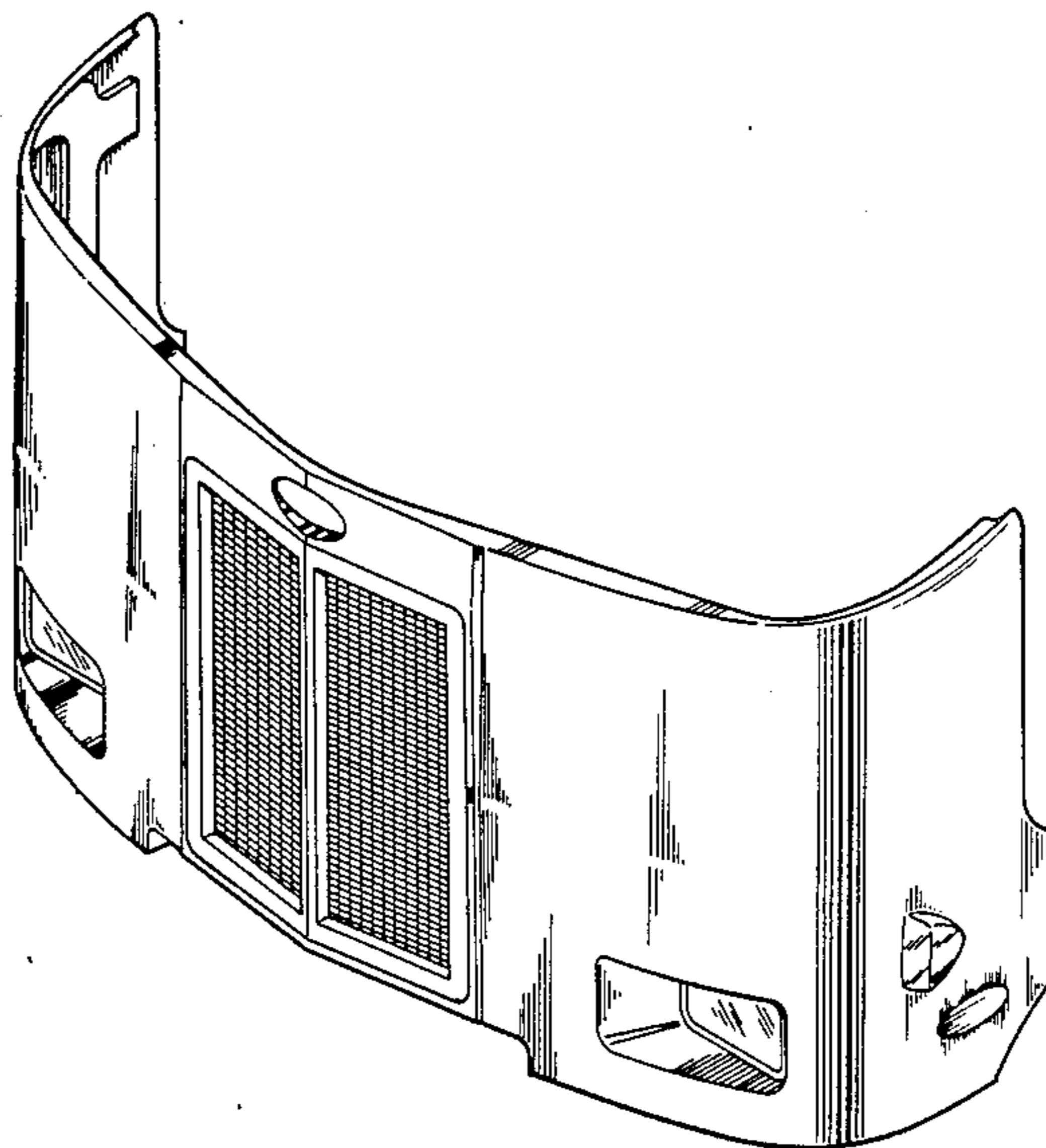
The ornamental design for an integral truck cab front nose panel, grille and recessed headlights, as shown and described.

DESCRIPTION

FIG. 1 is a side elevation view of an integral truck cab front nose panel, grille and recessed headlights showing our new design. It is understood that the opposite side is a mirror image thereof and that broken lines are for illustrative purposes only and form no part of the claimed design;

FIG. 2 is a front elevation view thereof; and

FIG. 3 is an enlarged front, side perspective view thereof.



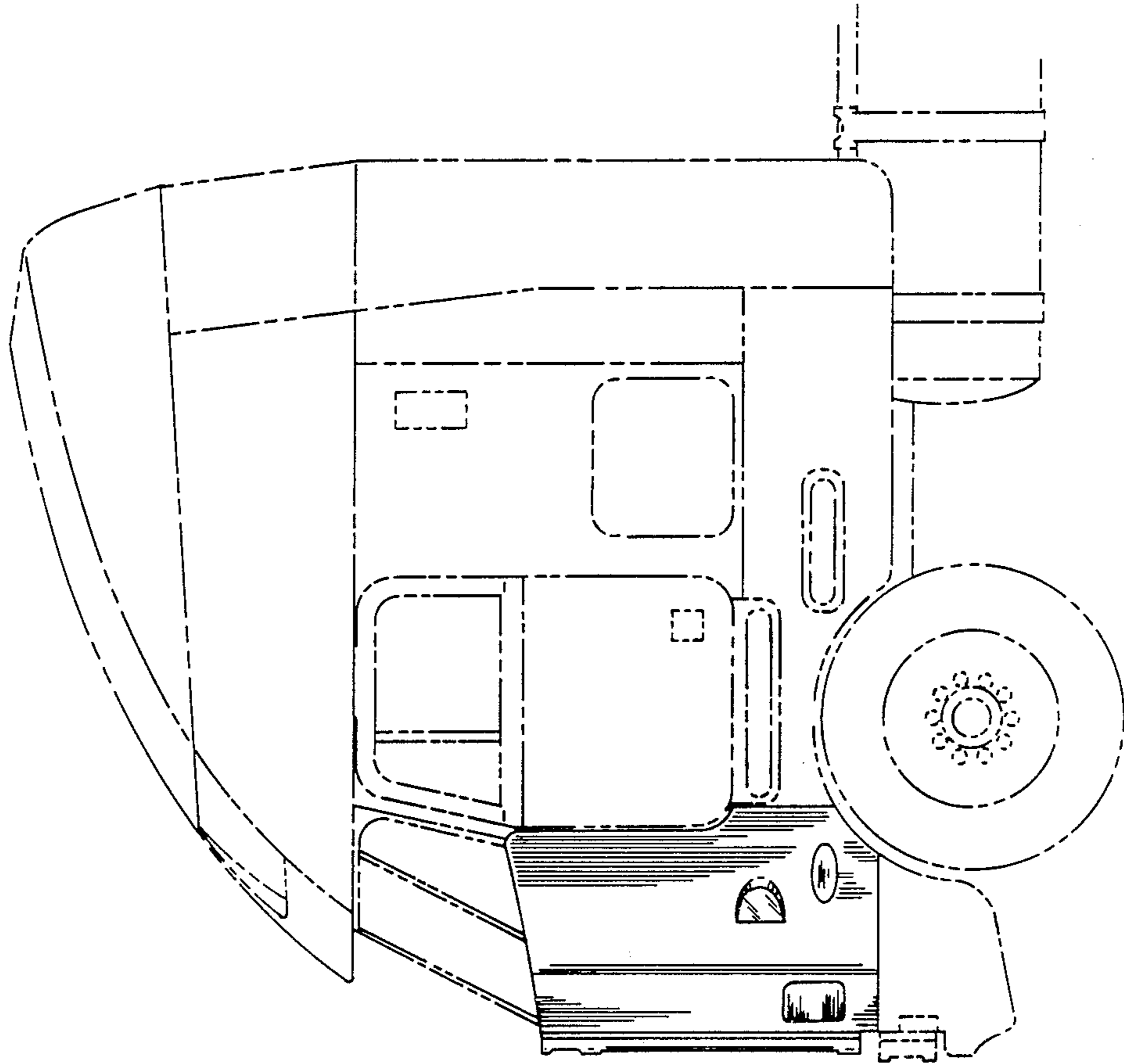


FIG.-1.

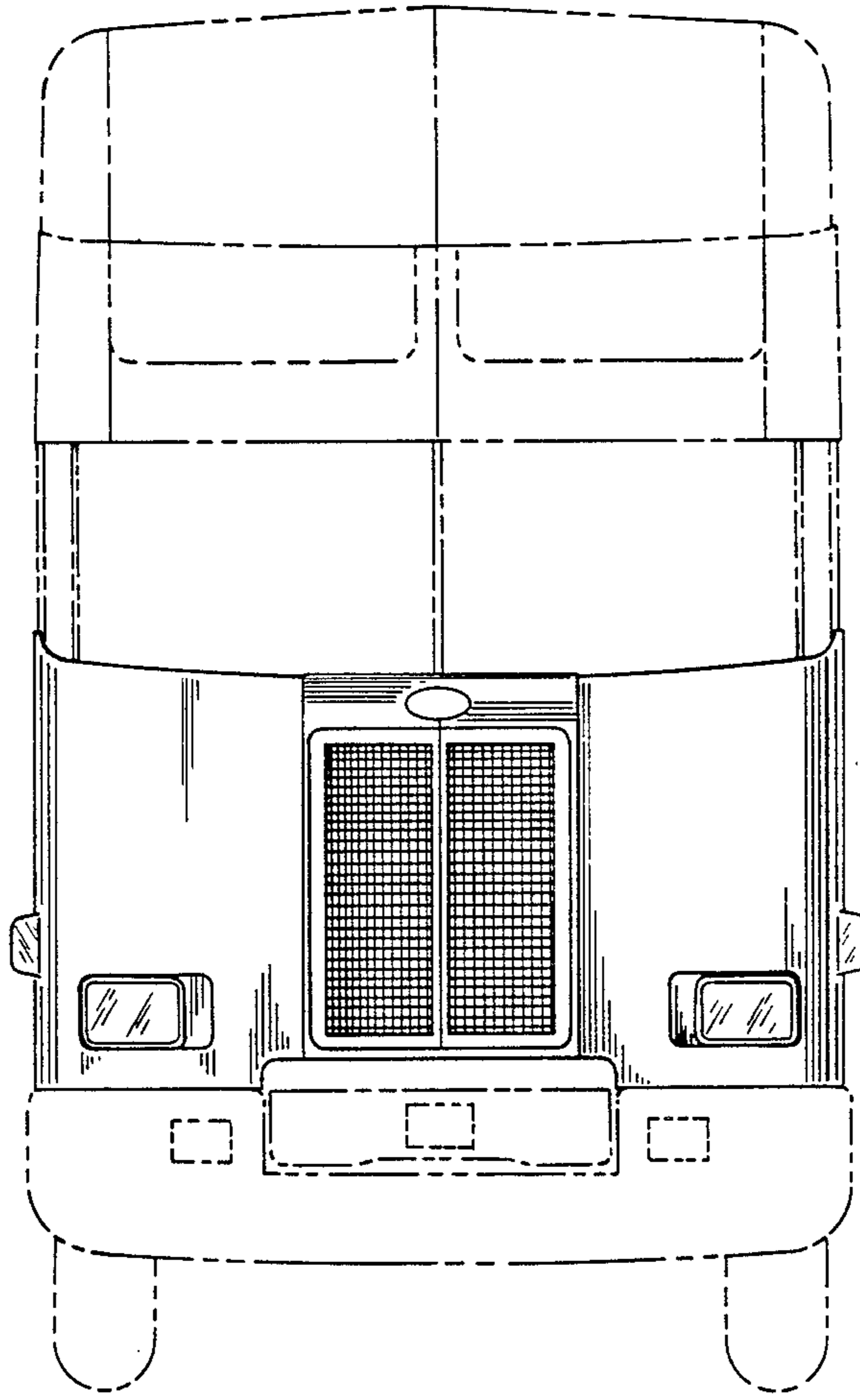


FIG.-2.

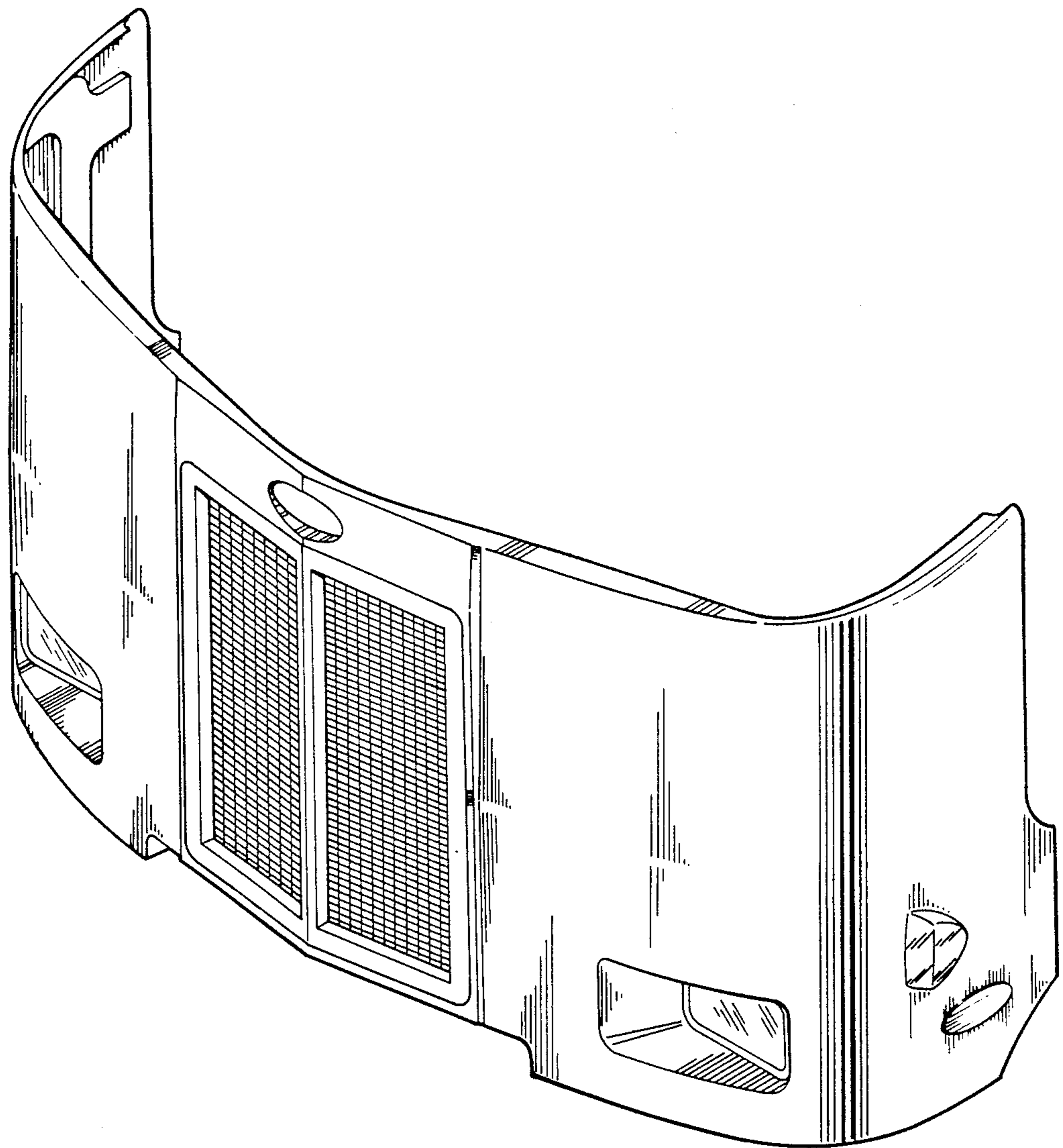


FIG-3.