

United States Patent [19]

Tsuyoshi et al.

[11] Patent Number: **Des. 311,710**

[45] Date of Patent: **** Oct. 30, 1990**

[54] **AUTOMOBILE**

[75] Inventors: **Nishimura Tsuyoshi, Tochiga; Tsuji Takahito, Tokyo; Honma Iwao, Saitama, all of Japan**

[73] Assignee: **Honda Giken Kogyo Kabushiki Kaisha, Tokyo, Japan**

[**] Term: **14 Years**

[21] Appl. No.: **152,576**

[22] Filed: **Feb. 8, 1988**

[30] **Foreign Application Priority Data**

Aug. 8, 1987 [JP] Japan 62-32338

[52] U.S. Cl. **D12/92**

[58] Field of Search D12/91, 92; 296/185

[56] **References Cited**

U.S. PATENT DOCUMENTS

D. 276,600 12/1984 Nakano et al. D12/92
D. 289,390 4/1987 Ikeda et al. D12/91

Primary Examiner—James M. Gandy
Attorney, Agent, or Firm—Lyon & Lyon

[57] **CLAIM**

The ornamental design for an automobile, as shown.

DESCRIPTION

FIG. 1 is a top plan view of an automobile showing our new design;

FIG. 2 is a left side elevation view thereof;

FIG. 3 is a right side elevation view thereof;

FIG. 4 is a front elevation view thereof; and

FIG. 5 is a rear elevation view thereof.

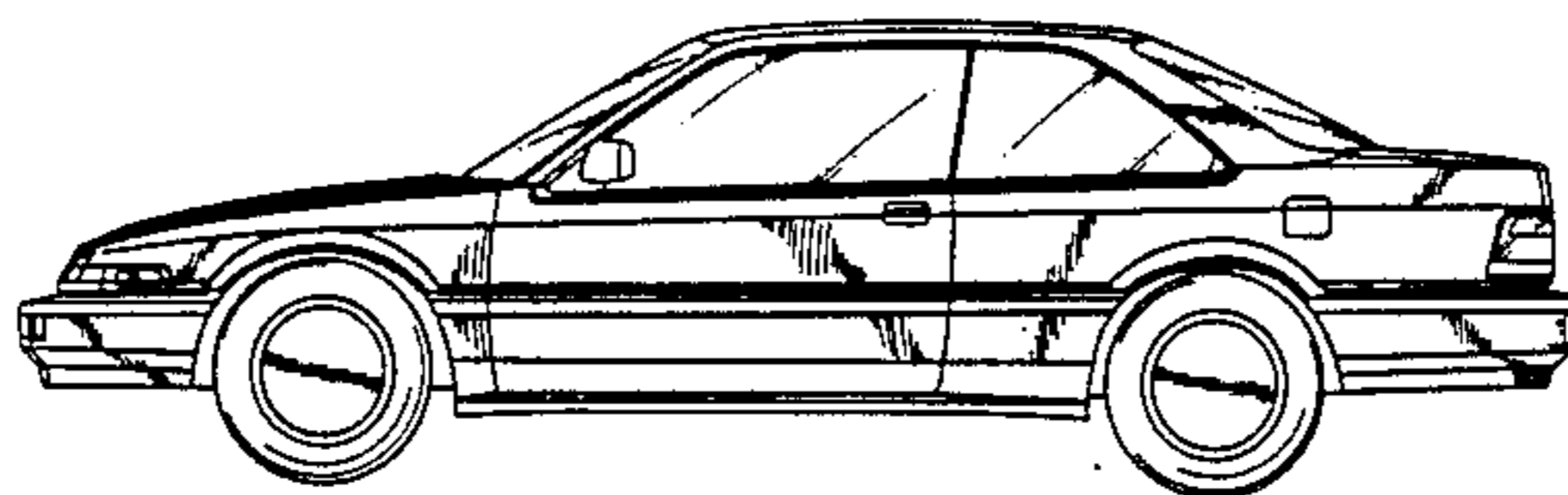
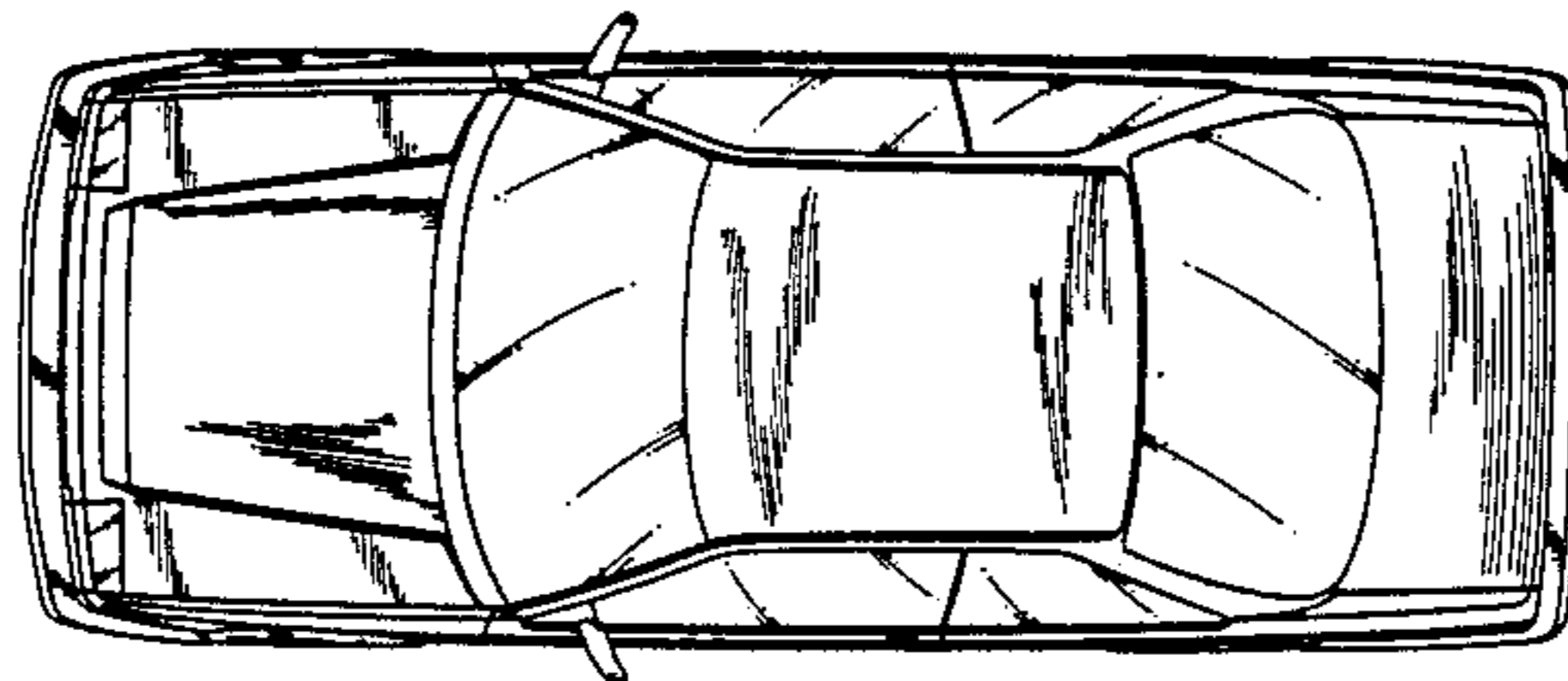


FIG. 1.

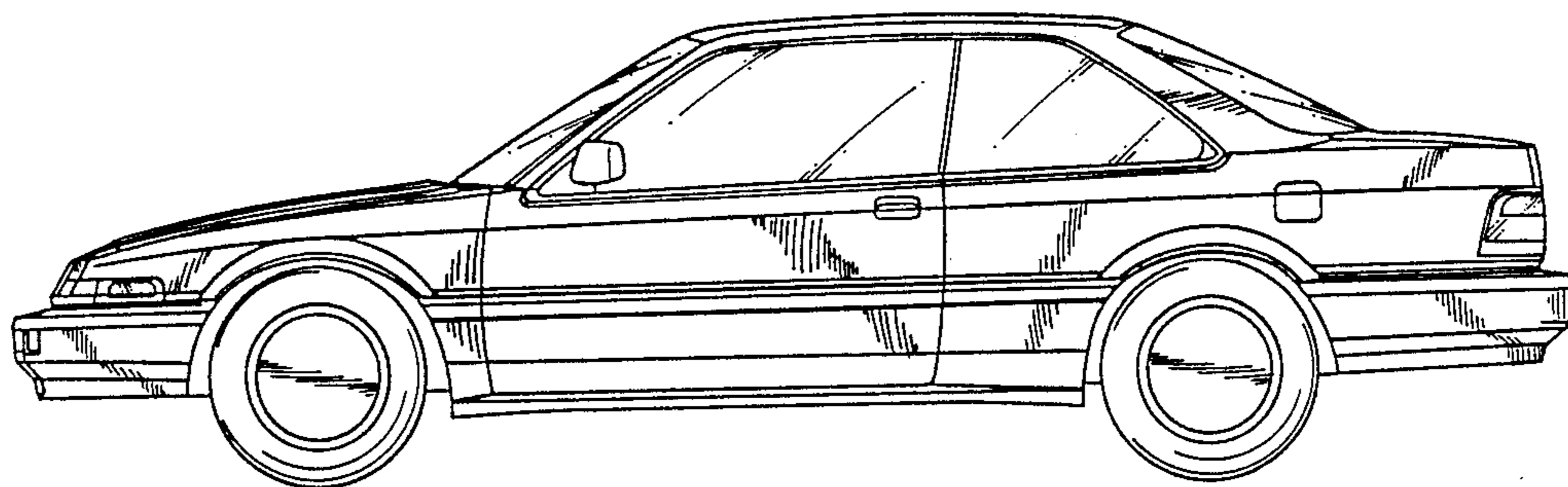
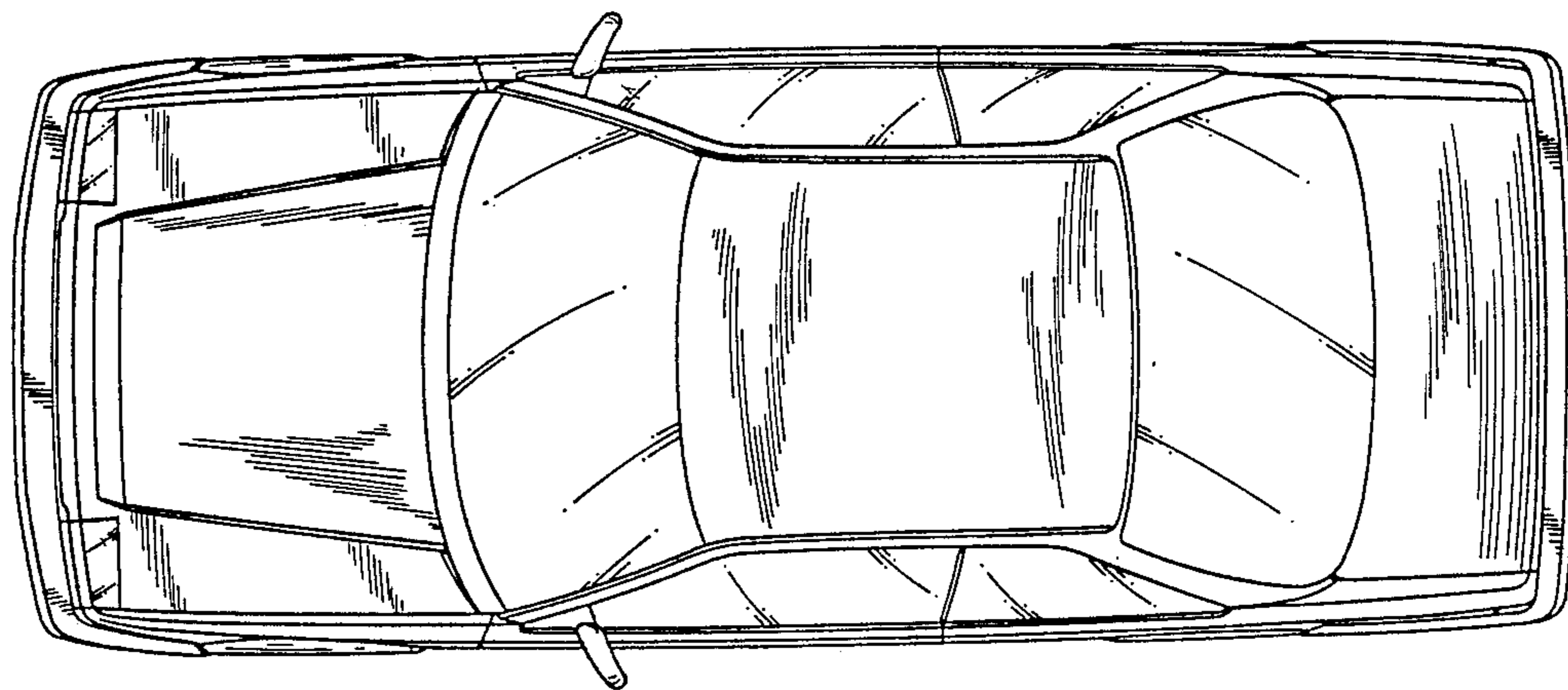


FIG. 2.

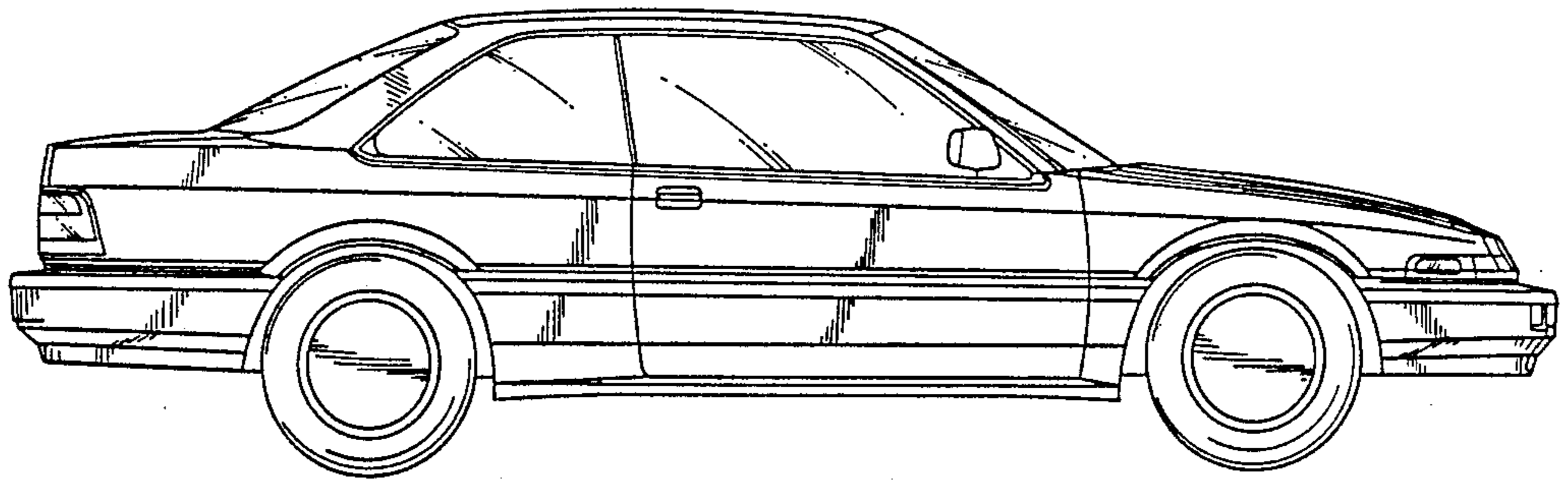


FIG. 3.

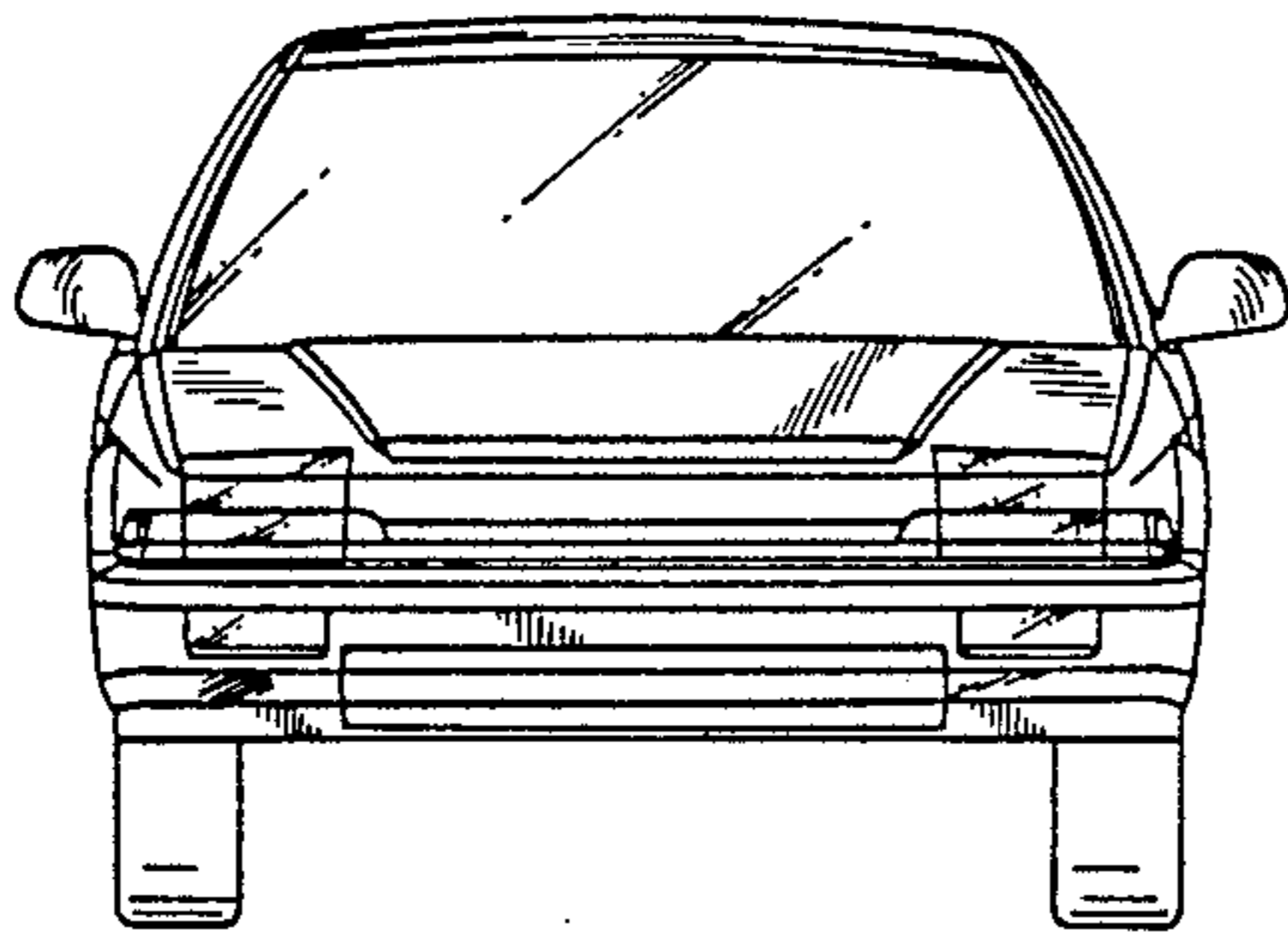


FIG. 4.

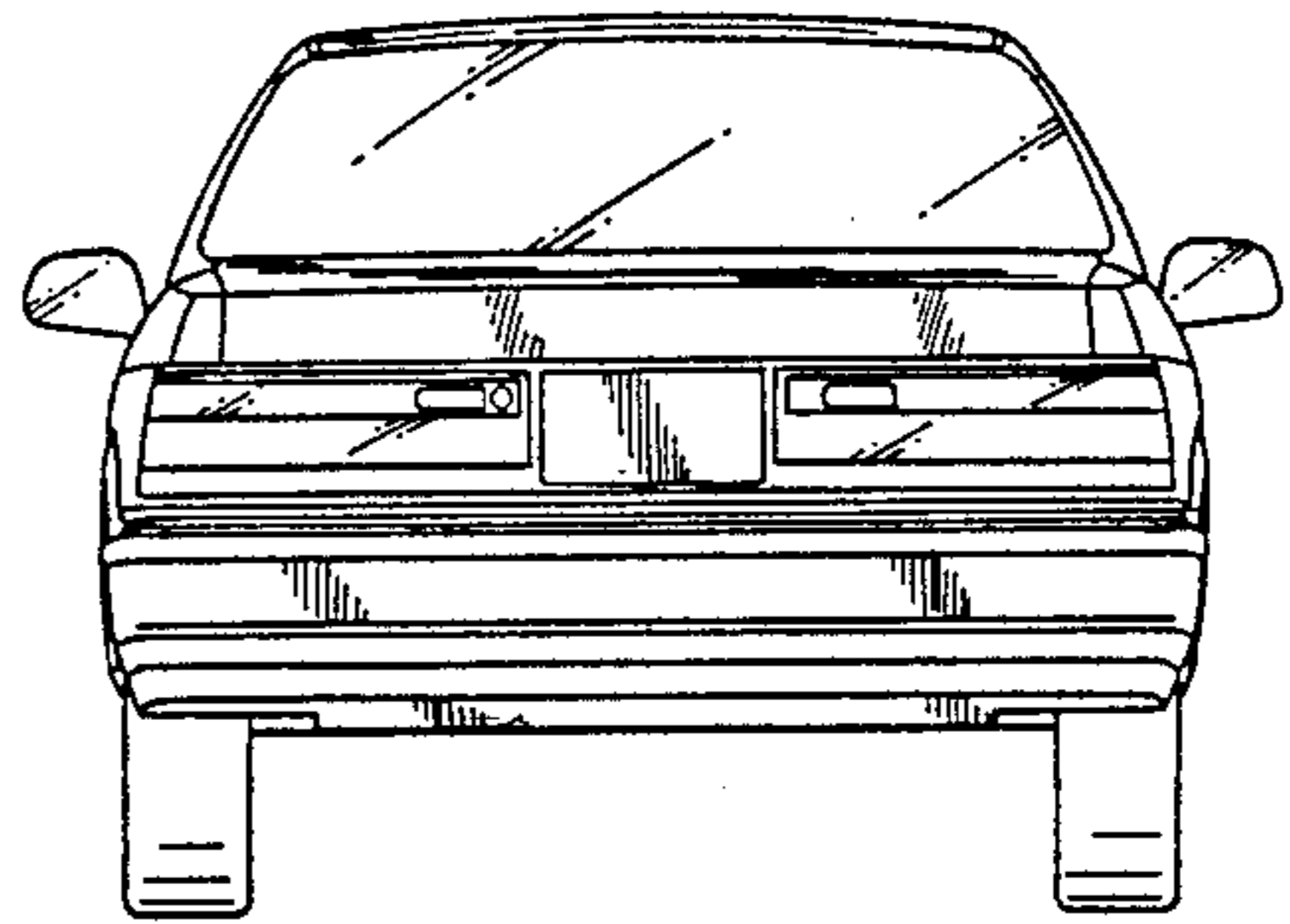


FIG. 5.