

[54] **PAVEMENT MARKER**  
 [75] **Inventor: David C. May, Roberts, Wis.**  
 [73] **Assignee: Minnesota Mining and Manufacturing Company, St. Paul, Minn.**  
 [\*\*] **Term: 14 Years**  
 [21] **Appl. No.: 214,134**  
 [22] **Filed: Jun. 30, 1988**  
 [52] **U.S. Cl. .... D10/113**  
 [58] **Field of Search ..... D20/42; D10/113, 114; 116/63 R, 63 P; 404/6, 9, 10, 12, 13, 14, 15, 16**

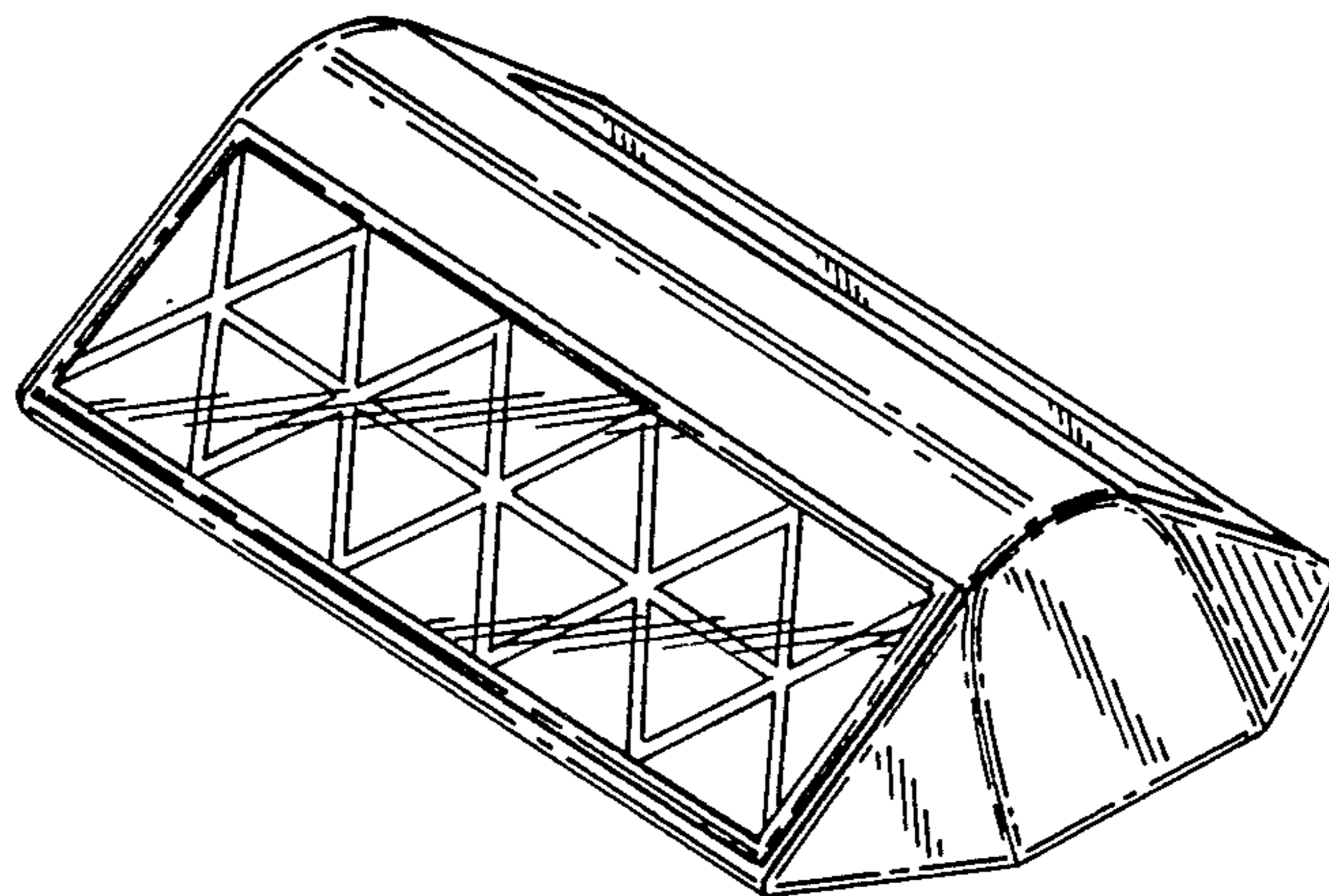
4,208,090 7/1980 Heenan ..... 350/61  
 4,227,772 10/1980 Heenan ..... 350/103  
 4,232,979 11/1980 Johnson, Jr. et al. .... 404/16  
 4,428,320 1/1984 Oplt et al. .... 116/63  
 4,498,733 2/1985 Flanagan ..... 350/102  
 4,726,706 2/1988 Attar ..... 404/14

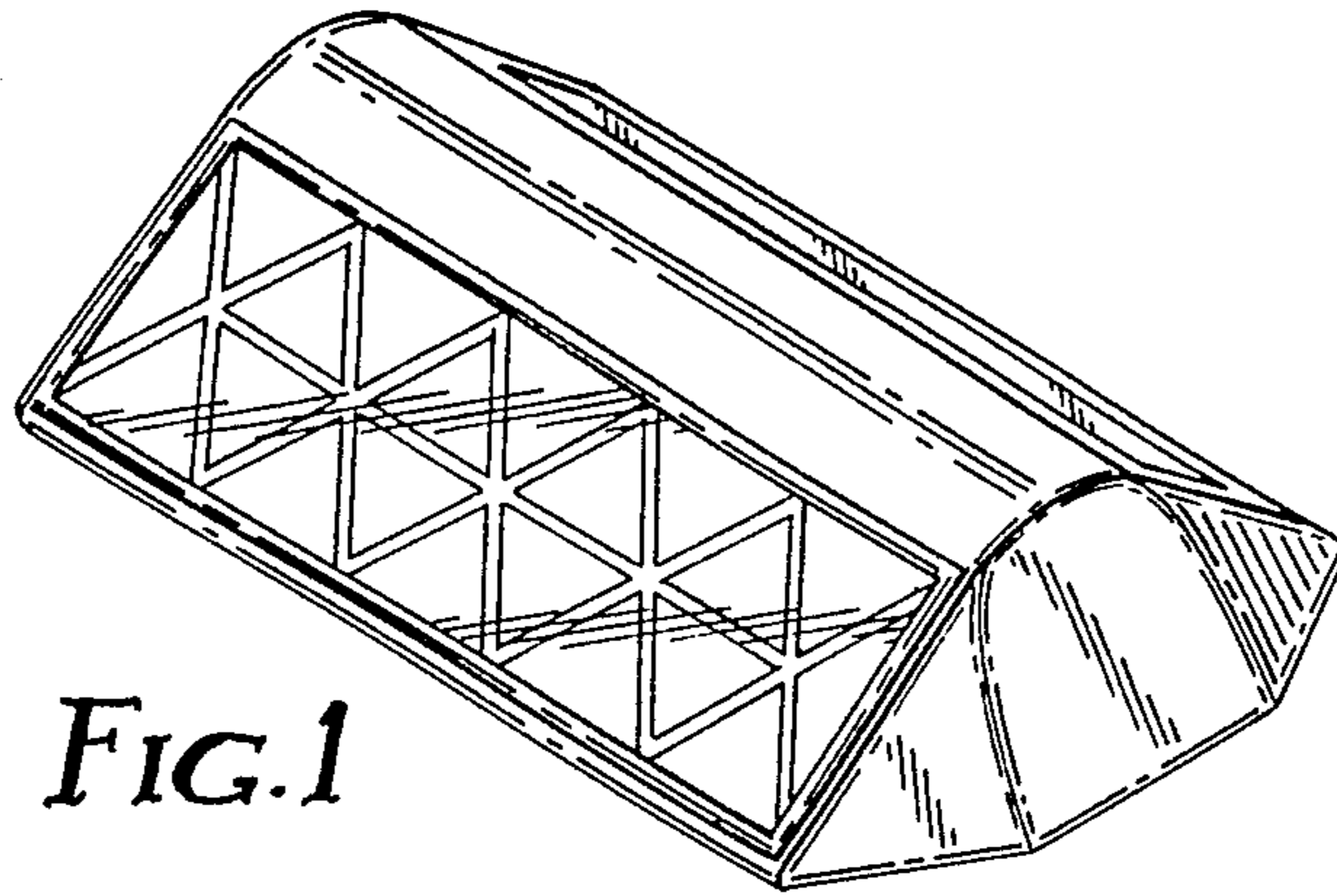
*Primary Examiner*—Wallace Burke  
*Assistant Examiner*—Marcus Jackson  
*Attorney, Agent, or Firm*—Donald M. Sell; Walter N. Kirn; Douglas B. Little

[56] **References Cited**  
**U.S. PATENT DOCUMENTS**  
 D. 91,622 2/1934 Grace ..... D10/113  
 D. 212,263 9/1968 Royer ..... D10/113  
 D. 266,060 9/1982 Beretta ..... D10/113  
 D. 271,984 12/1983 Nelson et al. .... D10/113  
 3,332,327 7/1967 Heenan ..... 94/1.5  
 3,392,639 7/1968 Heenan et al. .... 94/1.5  
 3,485,148 12/1969 Heenan ..... 94/1.5

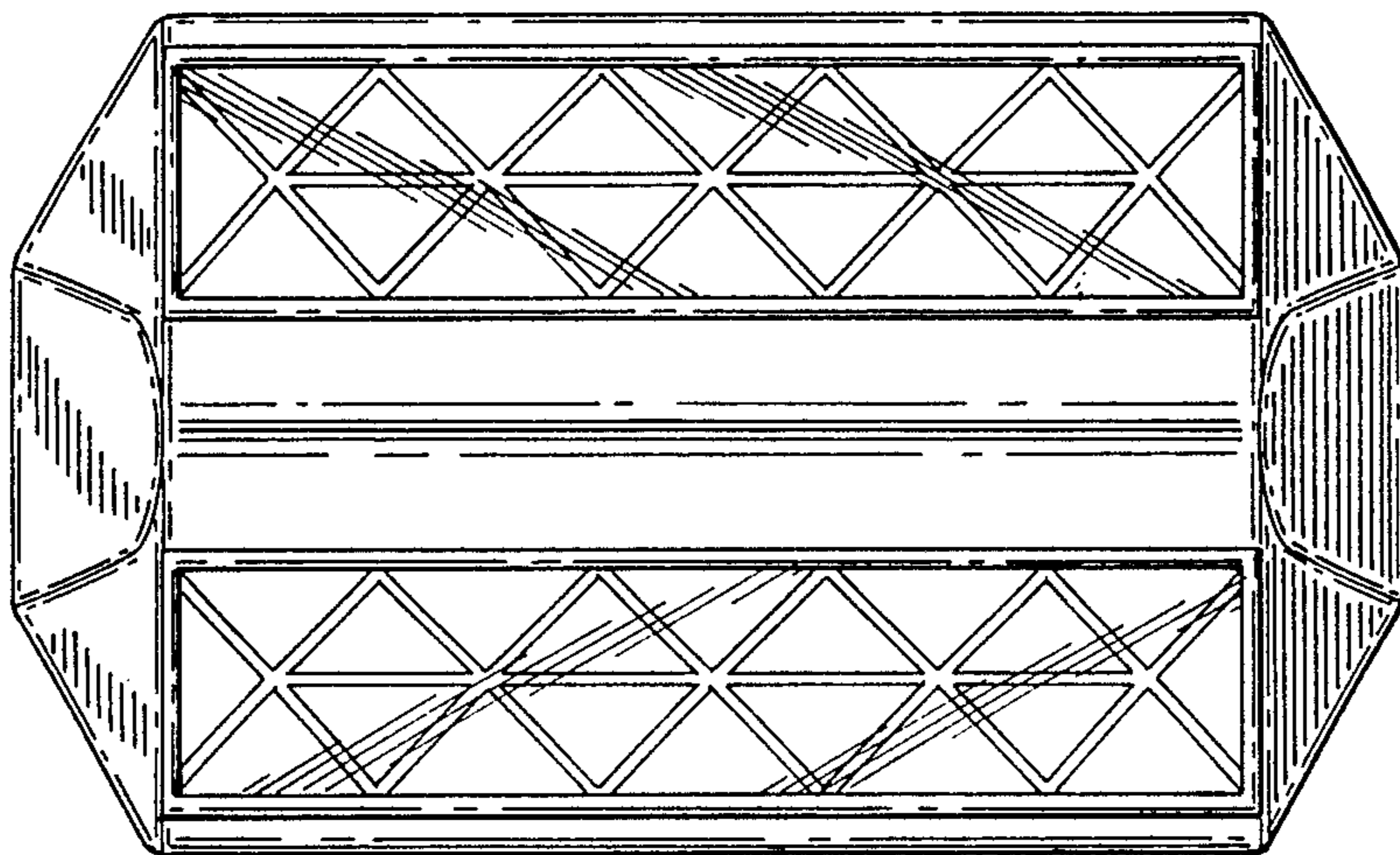
[57] **CLAIM**  
 The ornamental design for a pavement marker, as shown and described.

**DESCRIPTION**  
 FIG. 1 is a perspective view of a pavement marker showing my new design;  
 FIG. 2 is a top plan view thereof;  
 FIG. 3 is a right side elevational view, with the left side being a mirror image thereof;  
 FIG. 4 is a front elevational view, with the rear being a mirror image thereof.  
 The undisclosed bottom is unornamented.

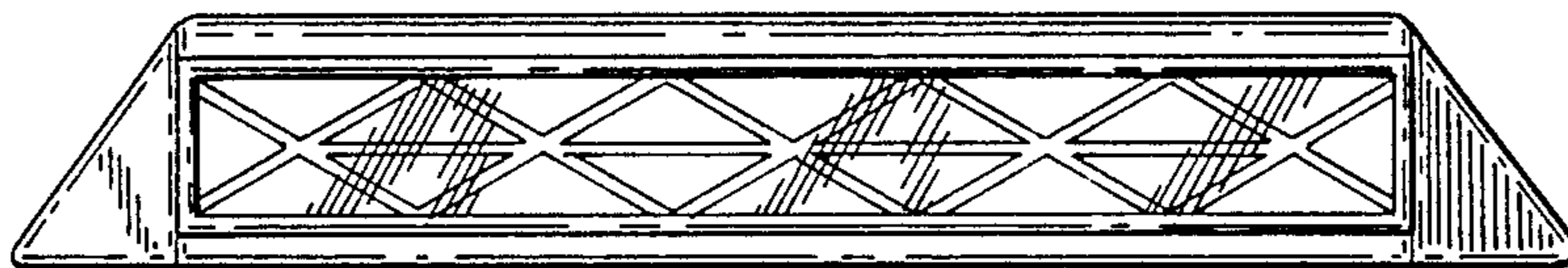




*FIG. 1*



*FIG. 2*



*FIG. 3*



*FIG. 4*