

[54] SMOKE DETECTOR

[75] Inventor: Kenneth R. Fenne, Glen Ellyn, Ill.

[73] Assignee: Pittway Corporation, Northbrook, Ill.

[**] Term: 14 Years

[21] Appl. No.: 51,016

[22] Filed: May 18, 1987

[52] U.S. Cl. D10/106

[58] Field of Search D10/120, 106, 104; 340/693, 545, 547, 555, 578, 584, 586

[56] References Cited

U.S. PATENT DOCUMENTS

- D. 204,916 5/1966 Blevins D10/106
- D. 235,629 7/1975 Steele D10/106
- D. 271,287 11/1983 Fenne D10/104
- D. 271,572 11/1983 Creelman D10/104
- D. 271,670 12/1983 Takai et al. D10/104

- D. 271,671 12/1983 Thornton, Jr. D10/104
- D. 273,952 5/1984 Stansbury, Jr. et al. D10/104
- 4,315,594 2/1982 Niederost 340/693
- 4,823,118 4/1989 Suzuki et al. 340/693

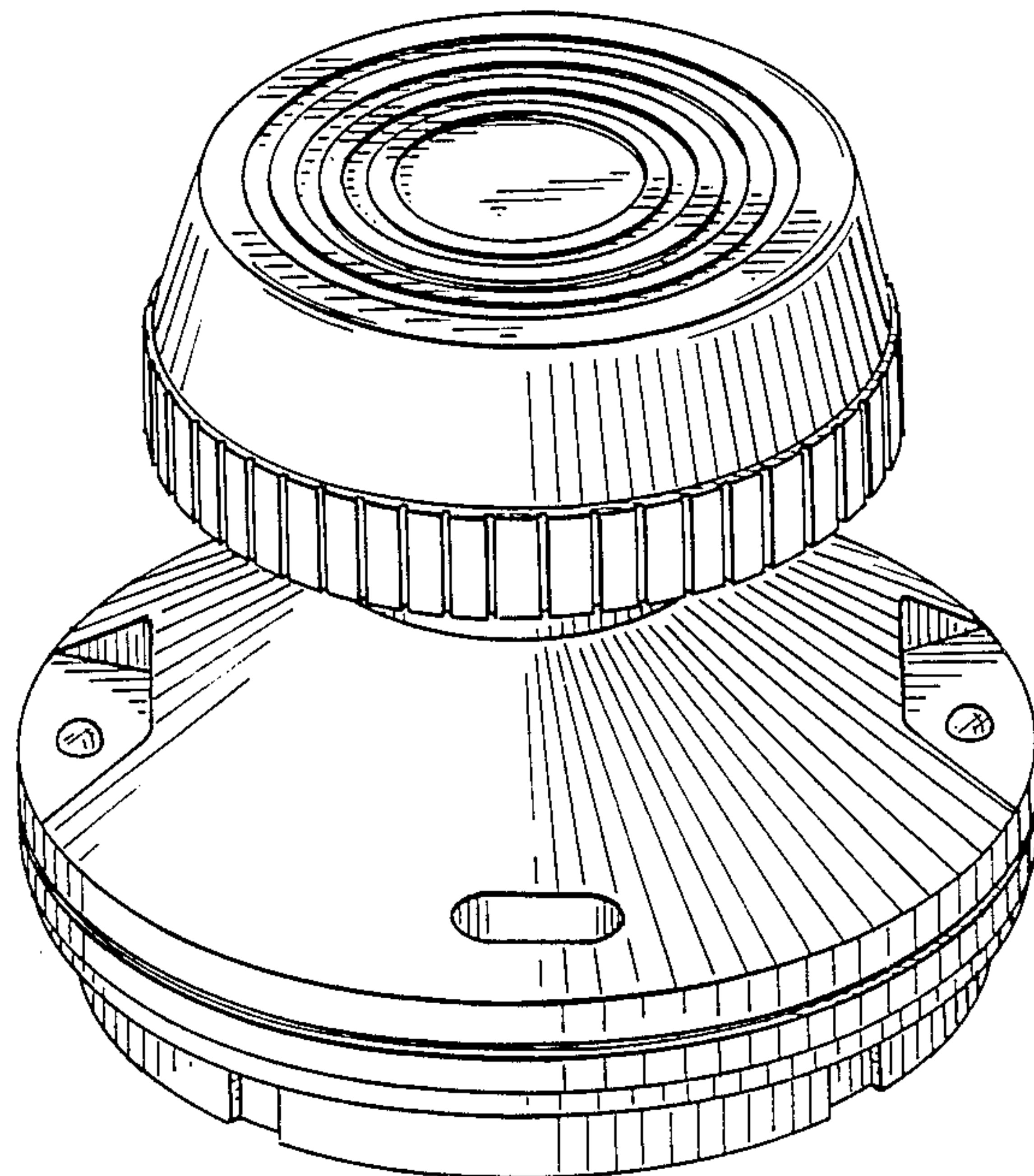
Primary Examiner—James M. Gandy
Assistant Examiner—Marcus Jackson
Attorney, Agent, or Firm—Dressler, Goldsmith, Shore, Sutker & Milnamow, Ltd.

[57] CLAIM

The ornamental design for an smoke detector, as shown and described.

DESCRIPTION

FIG. 1 is a side elevational view of a smoke detector showing my new design, it being understood that the opposite side is a mirror image thereof;
FIG. 2 is a side elevational view thereof, rotated 90° from that of FIG. 1;
FIG. 3 is a top plan view thereof; and
FIG. 4 is a bottom plan view thereof;
FIG. 5 is a perspective view thereof.



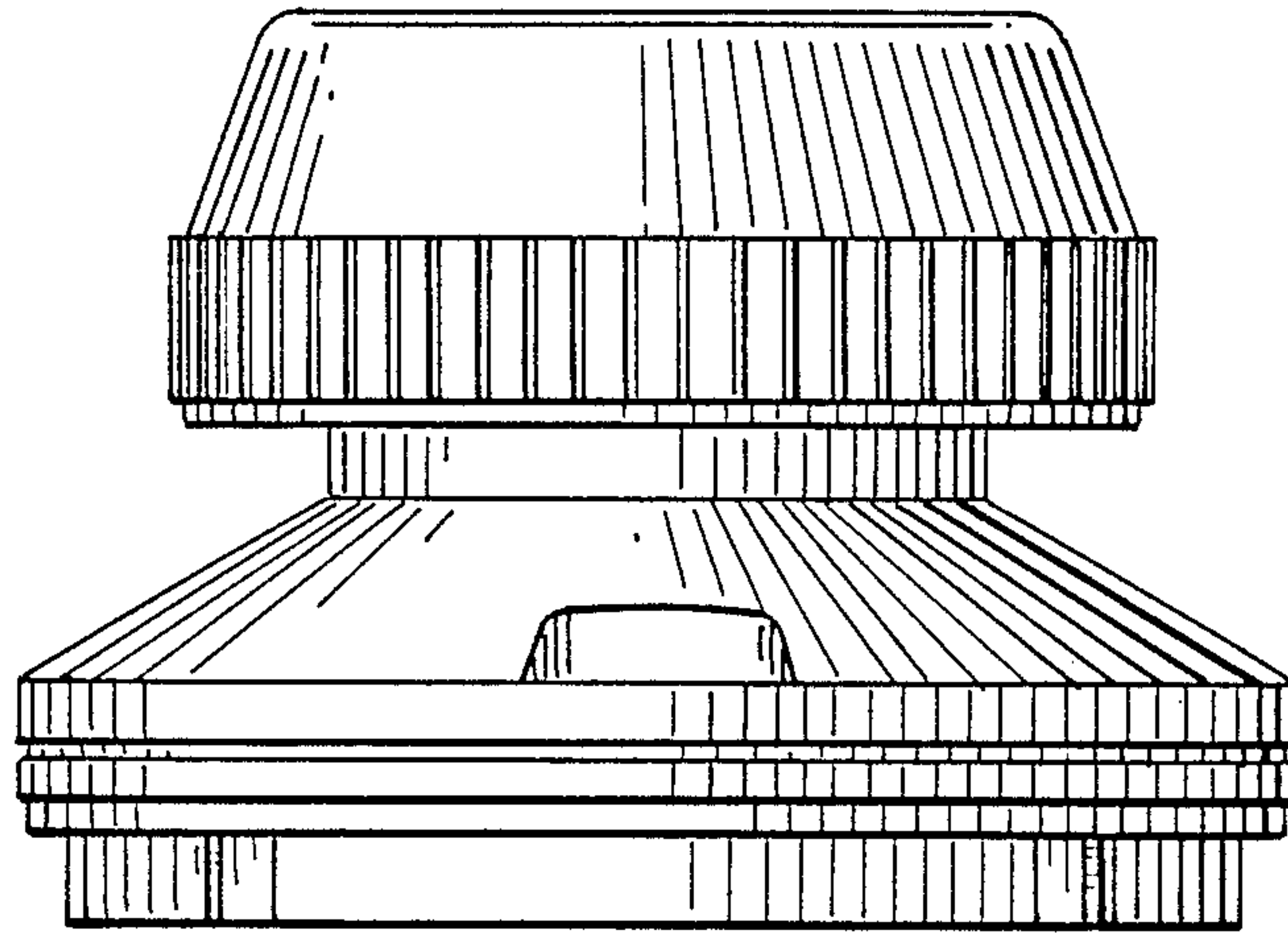


FIG. 1

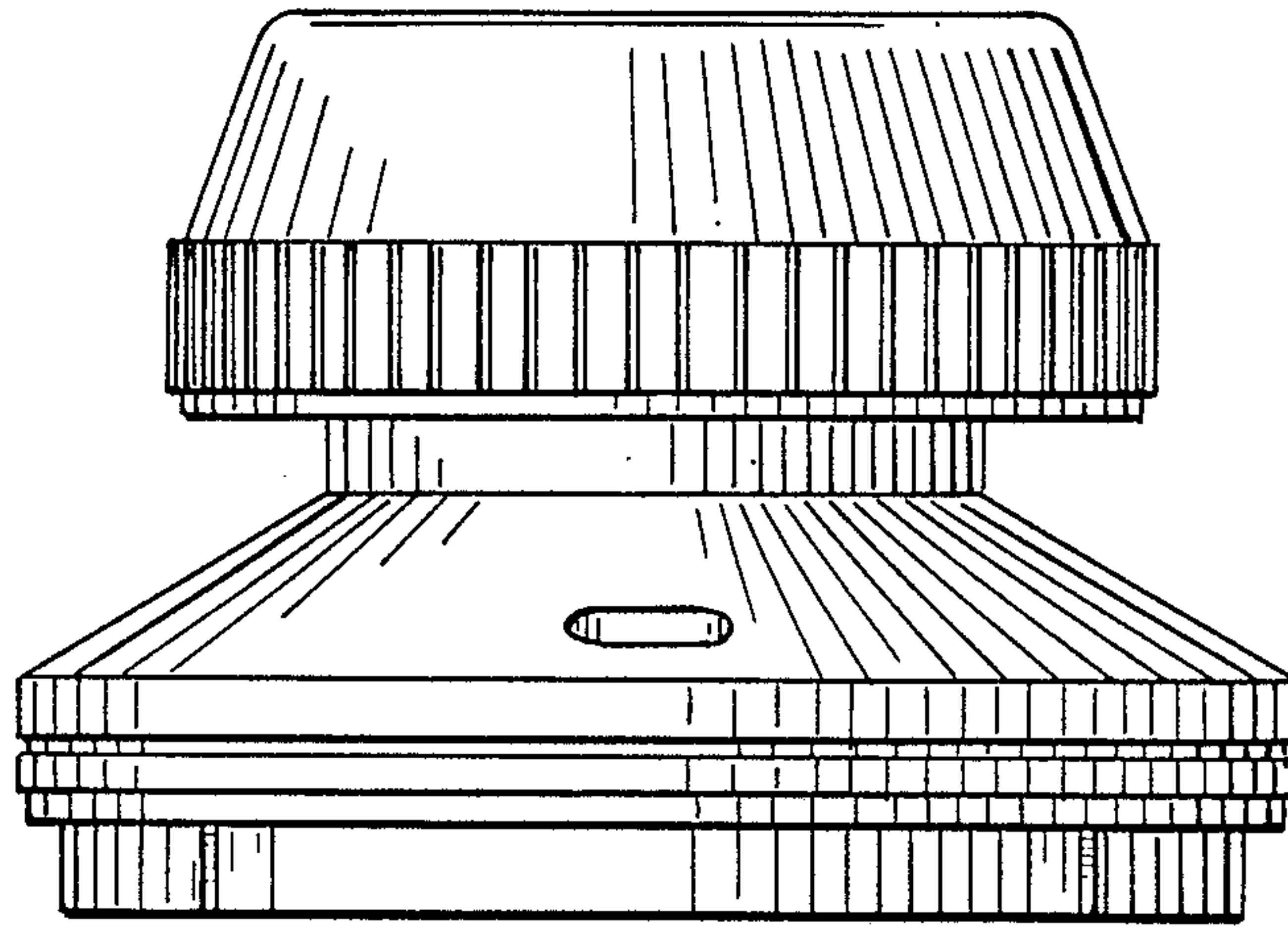


FIG. 2

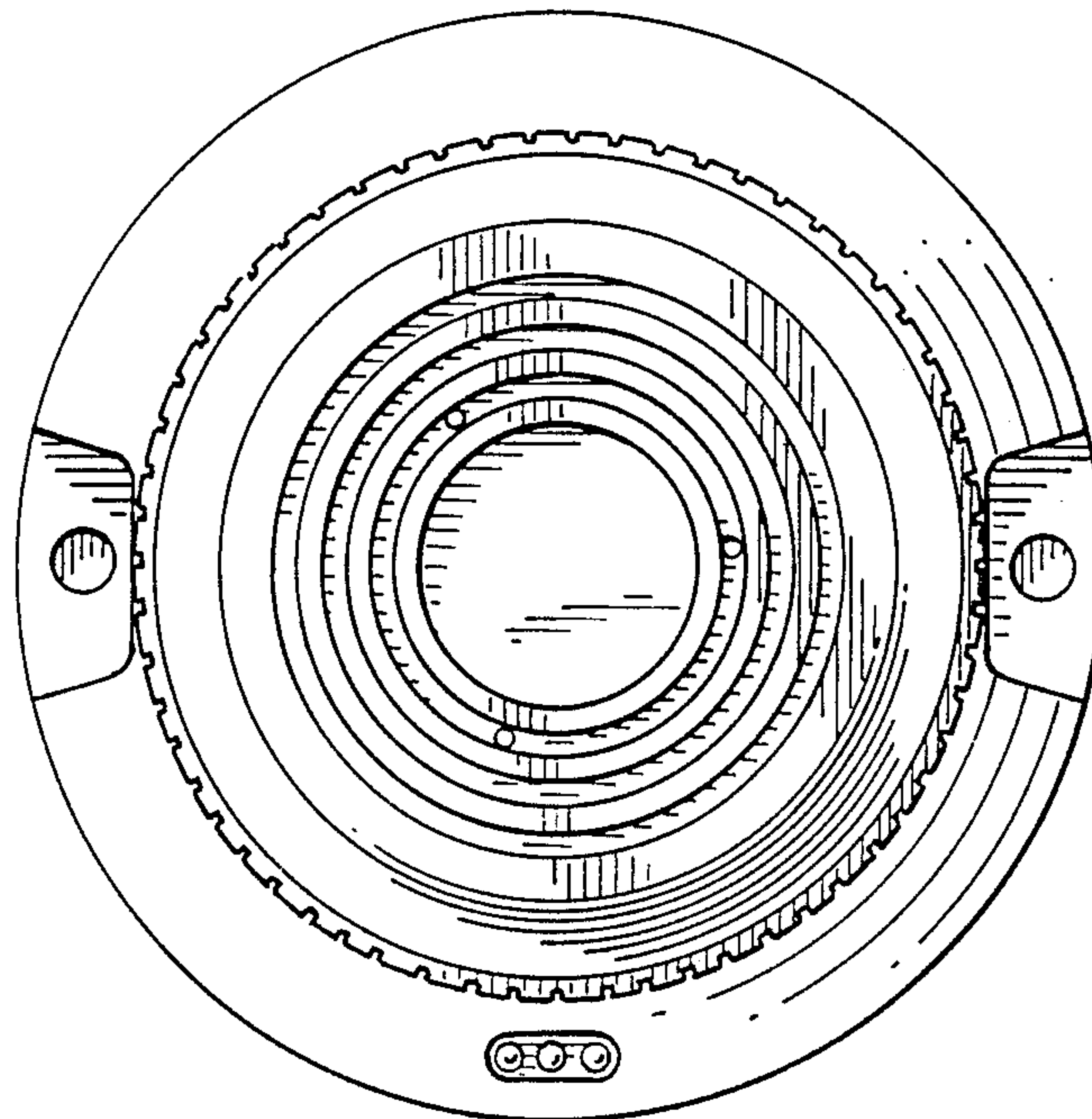


FIG. 3

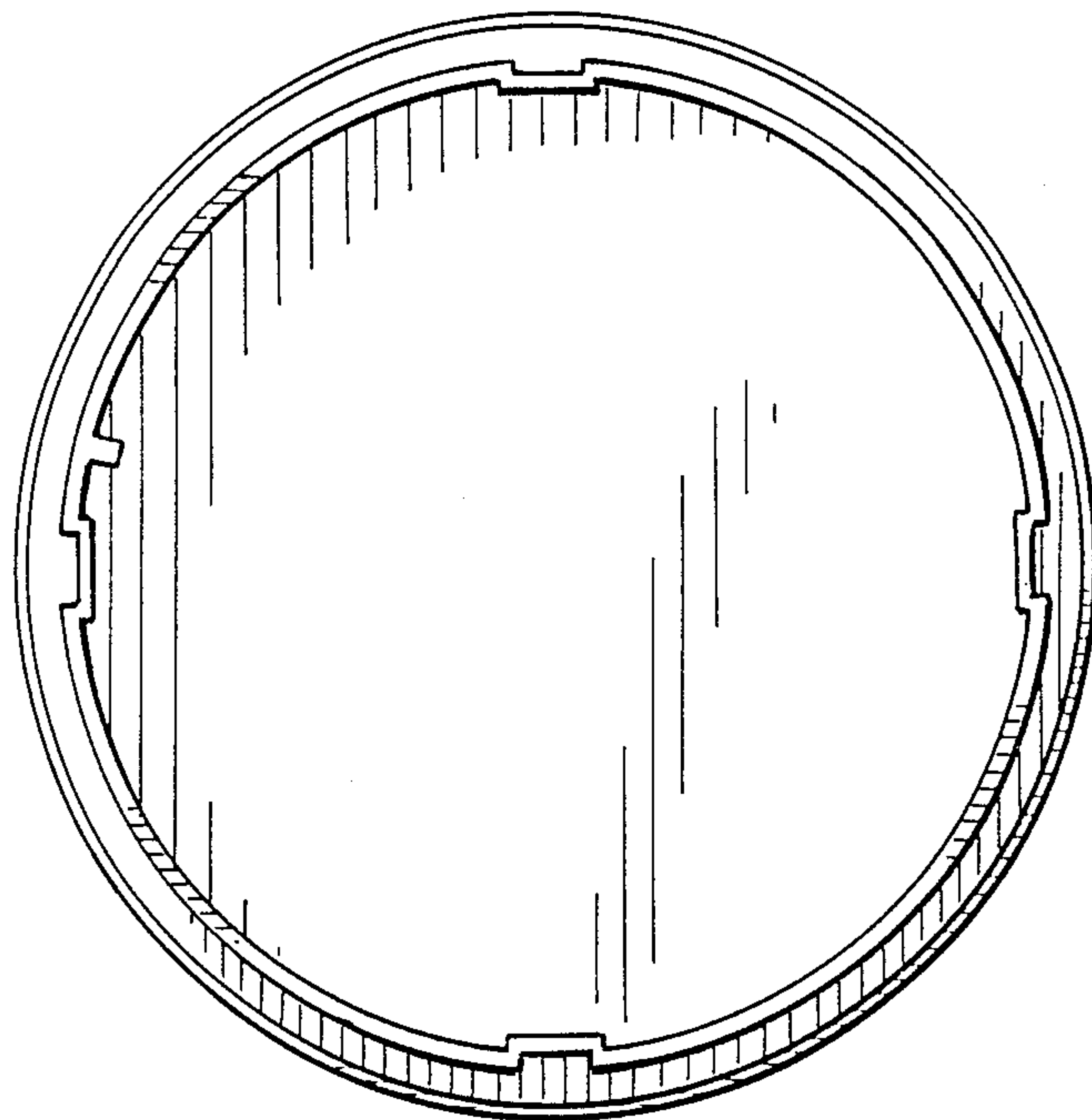


FIG. 4

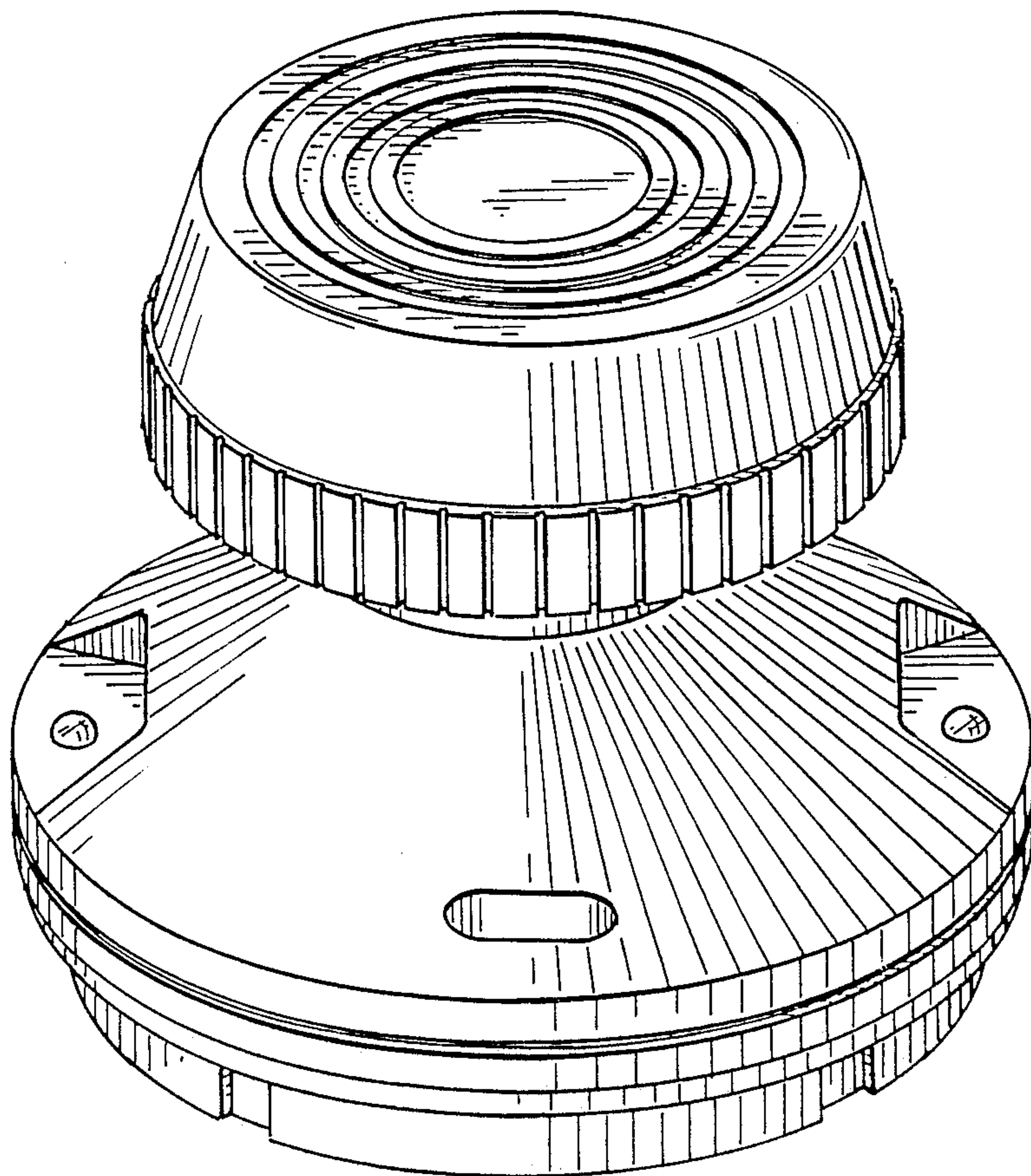


FIG. 5