

[54] BATTERY AND BULB INDICATOR

4,625,174 11/1986 Eberhart 324/435 X

[76] Inventor: Hai-Ning Mo, No.6-1,Lane
220,Chung Yang Rd., Feng Yuan
City, Taichung Hsien, Taiwan

Primary Examiner—Nelson C. Holtje
Assistant Examiner—Antoine D. Davis
Attorney, Agent, or Firm—Beehler & Pavitt

[**] Term: 14 Years

[57] CLAIM

[21] Appl. No.: 18,009

The ornamental design for a battery and bulb indicator,
as shown and described.

[22] Filed: Feb. 24, 1987

DESCRIPTION

[52] U.S. Cl. D10/78

[58] Field of Search D10/77, 78; 324/425,
324/426, 430, 431, 432, 433, 435, 439, 73 R;
429/90, 91, 92, 93

FIG. 1 is a top, plan, front and right side perspective
view of a battery and bulb indicator showing my new
design;

FIG. 2 is a front elevational view;

FIG. 3 is a rear elevational view;

FIG. 4 is a top plan view;

FIG. 5 is a bottom plan view;

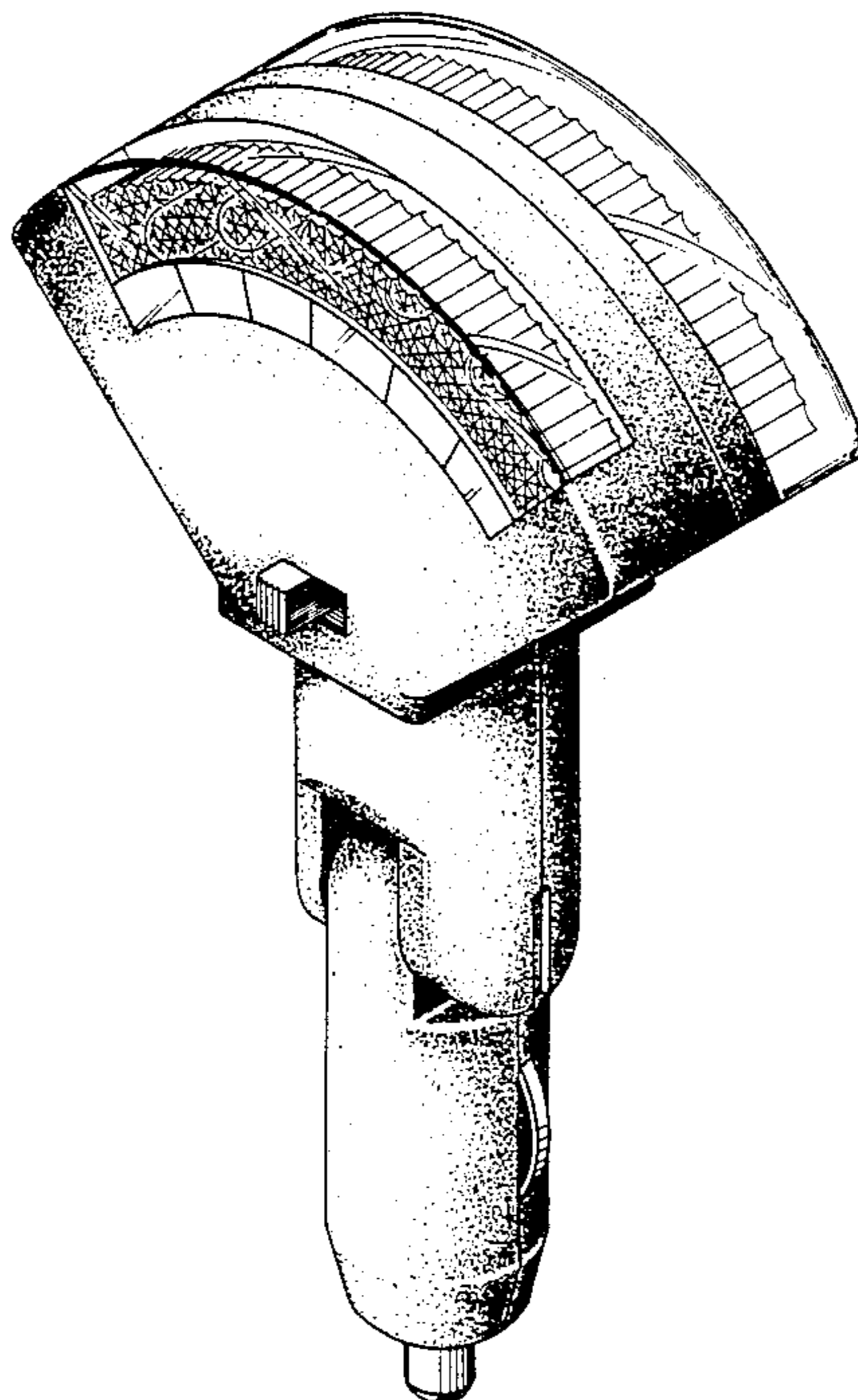
FIG. 6 is a left side perspective view; and

FIG. 7 is a right side perspective view thereof.

[56] References Cited

U.S. PATENT DOCUMENTS

D. 179,032 10/1956 Peth D10/75 X
2,155,778 4/1939 Stratton 324/426 X



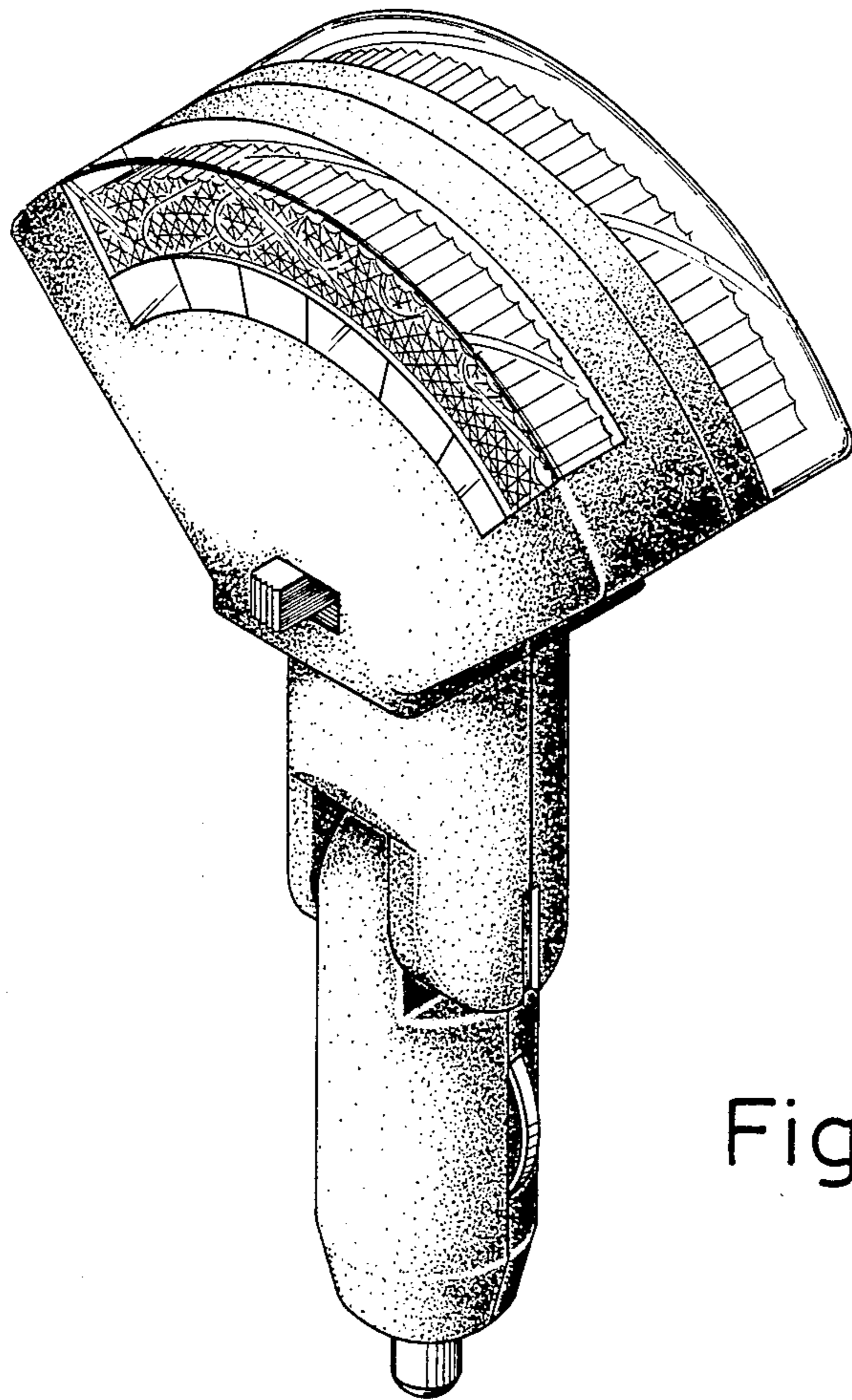


Fig. 1.

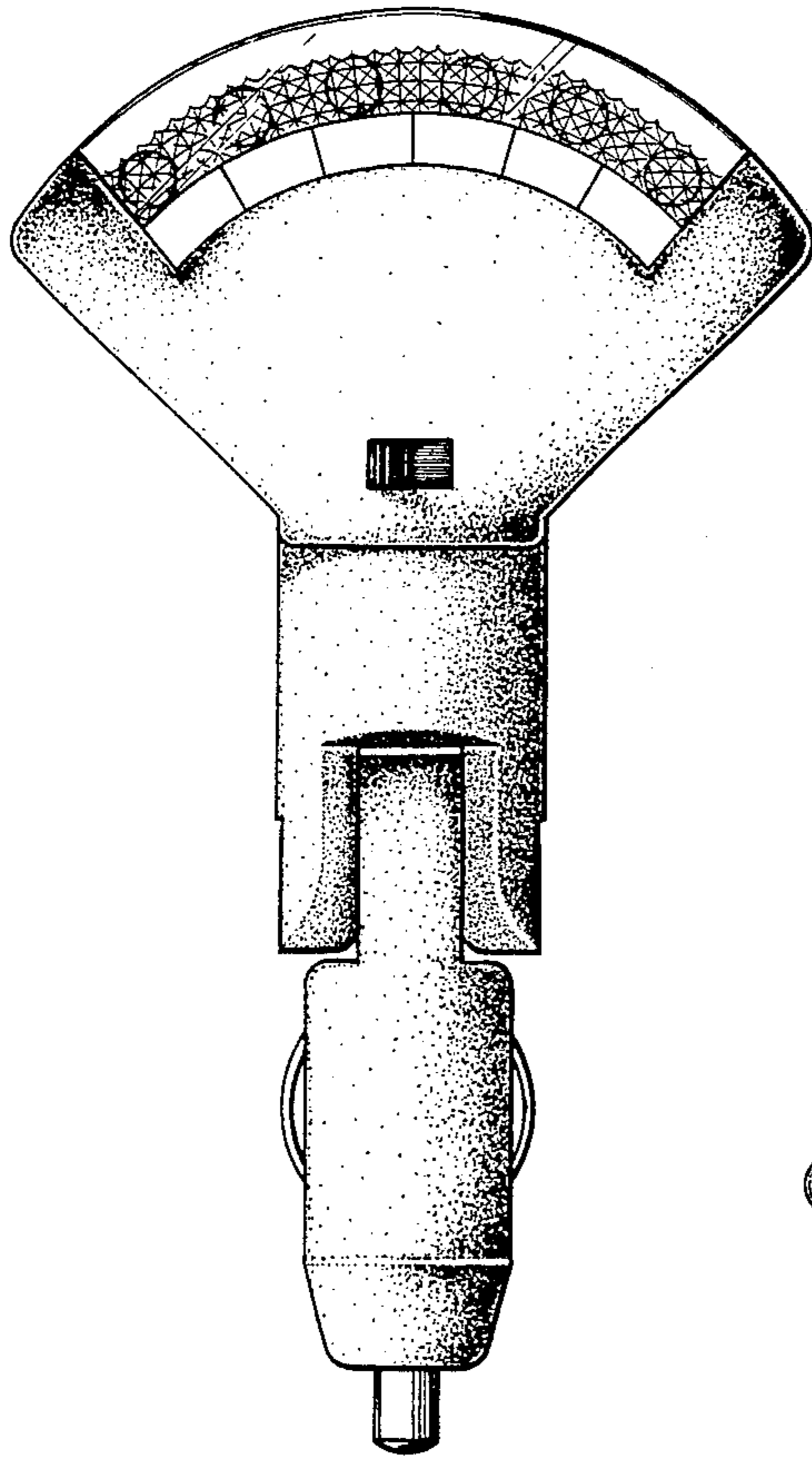


Fig. 2.

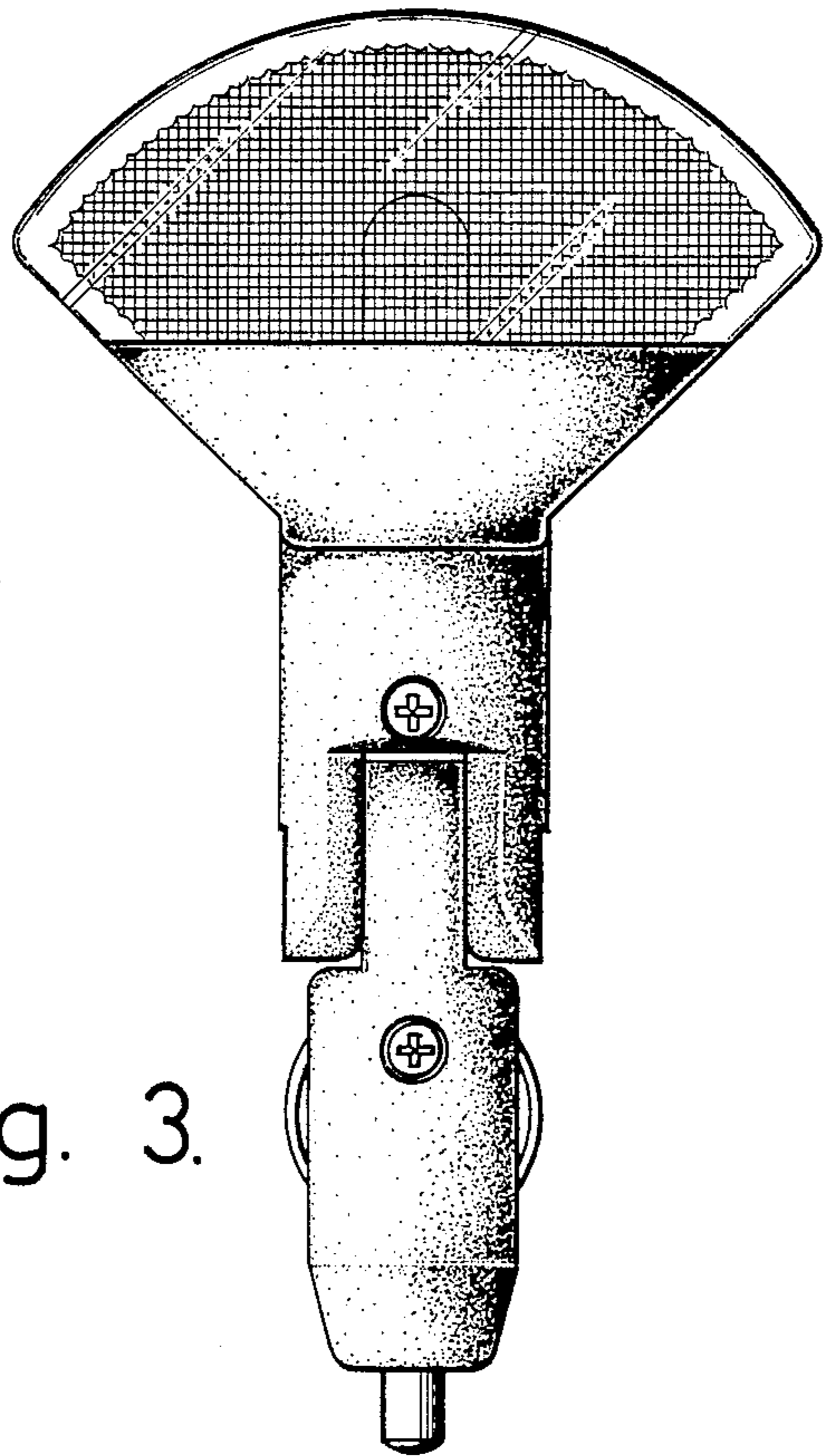


Fig. 3.

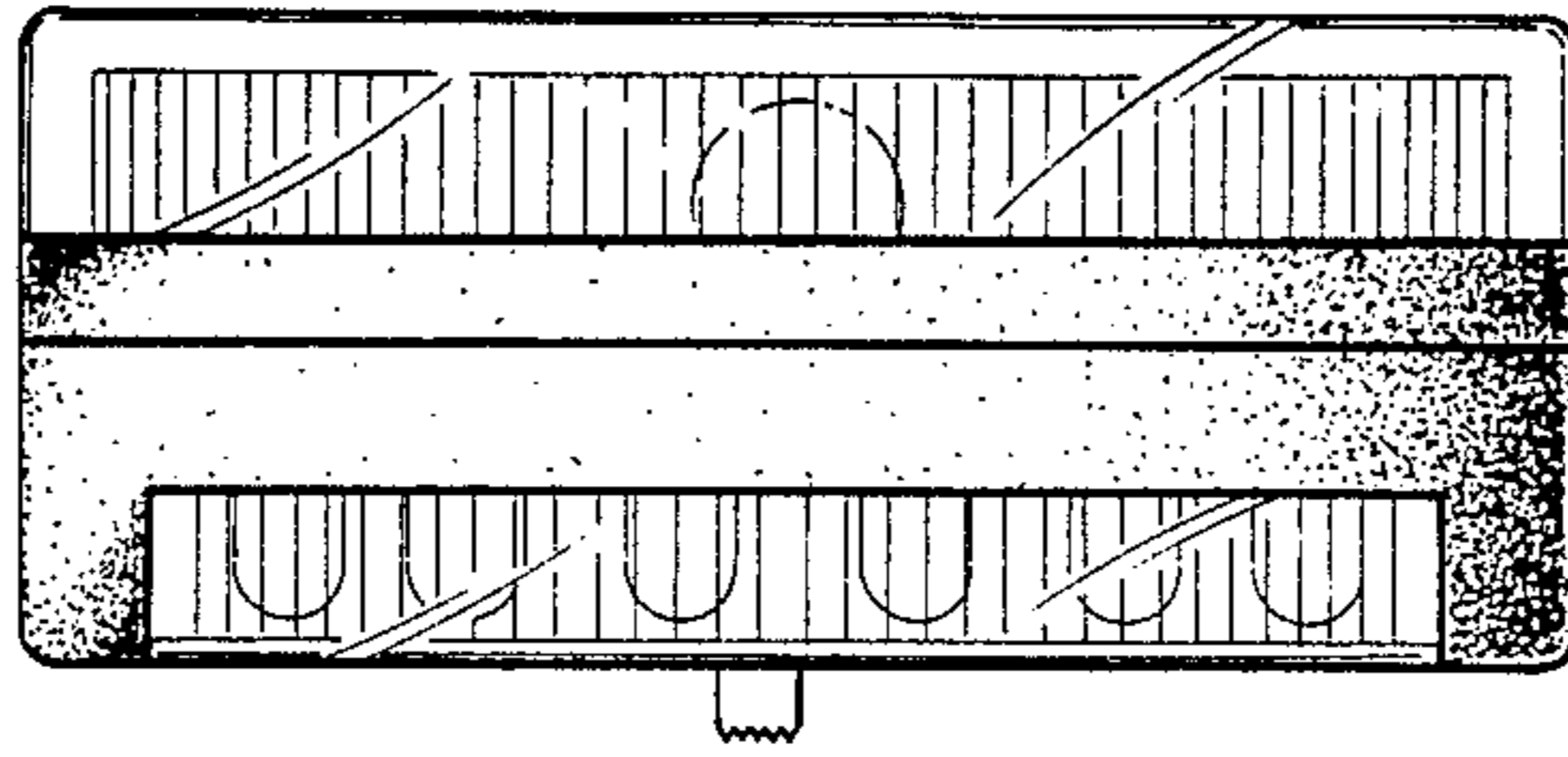


Fig. 4.

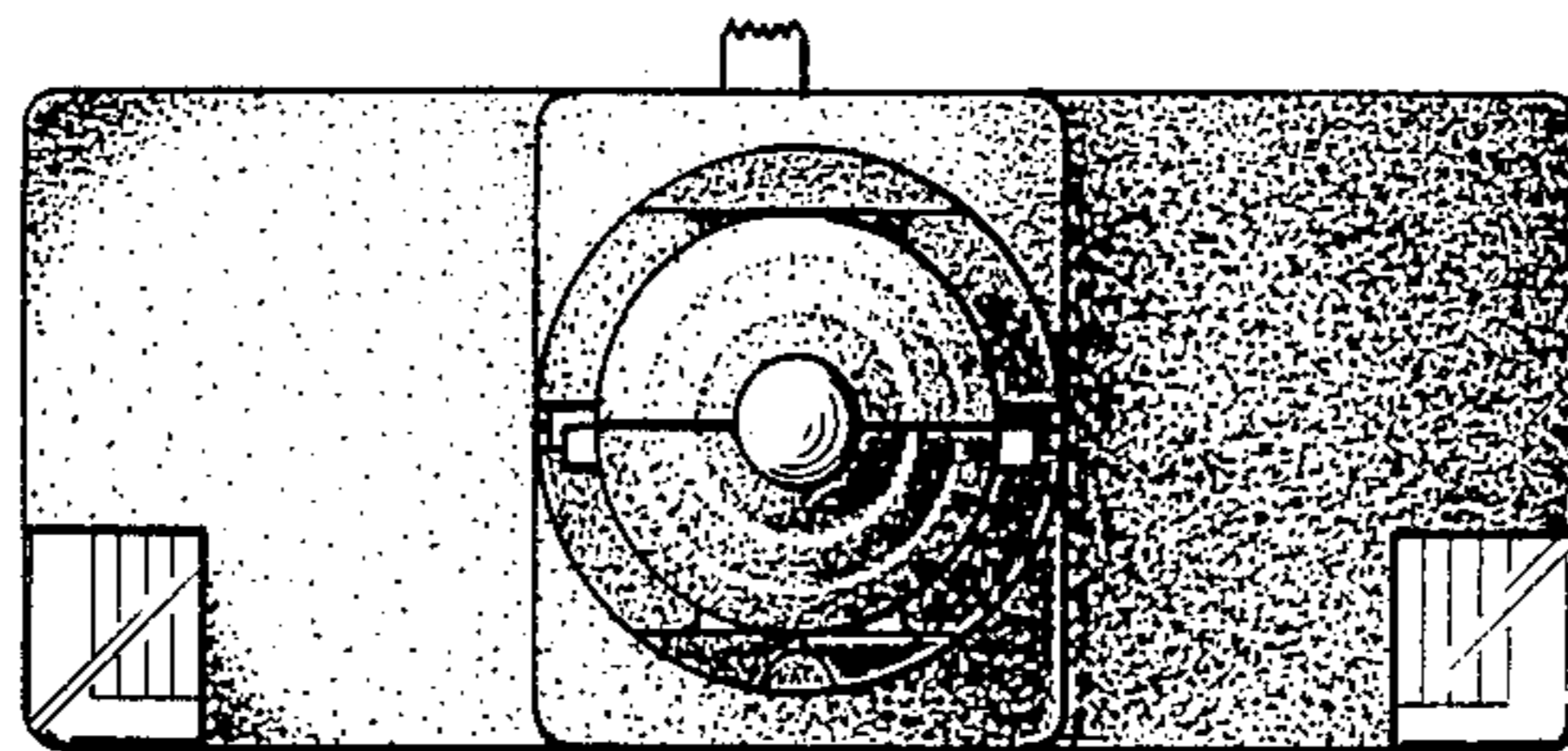


Fig. 5.

Fig. 6.

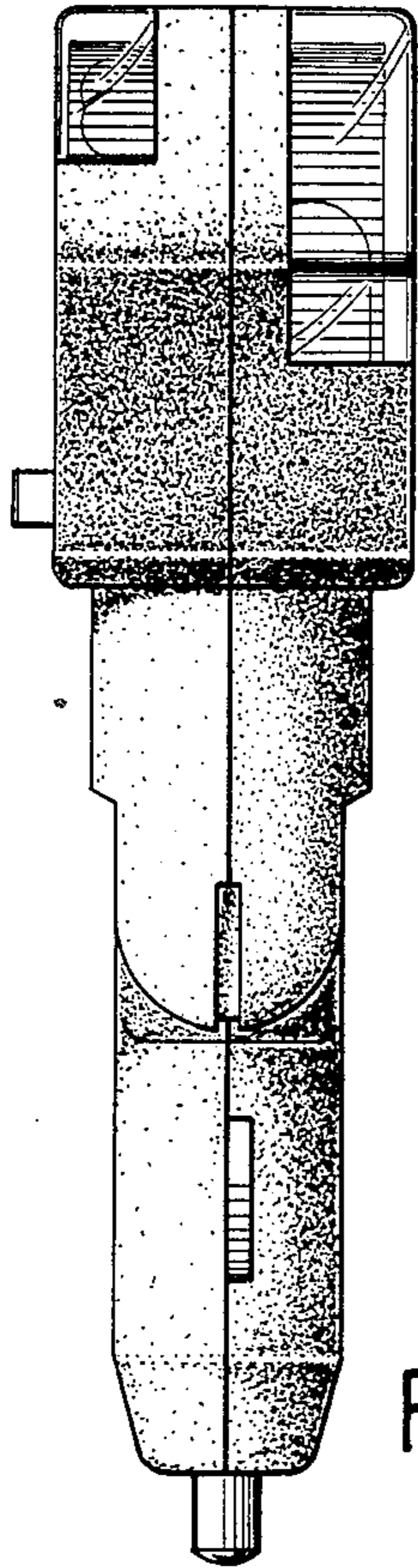
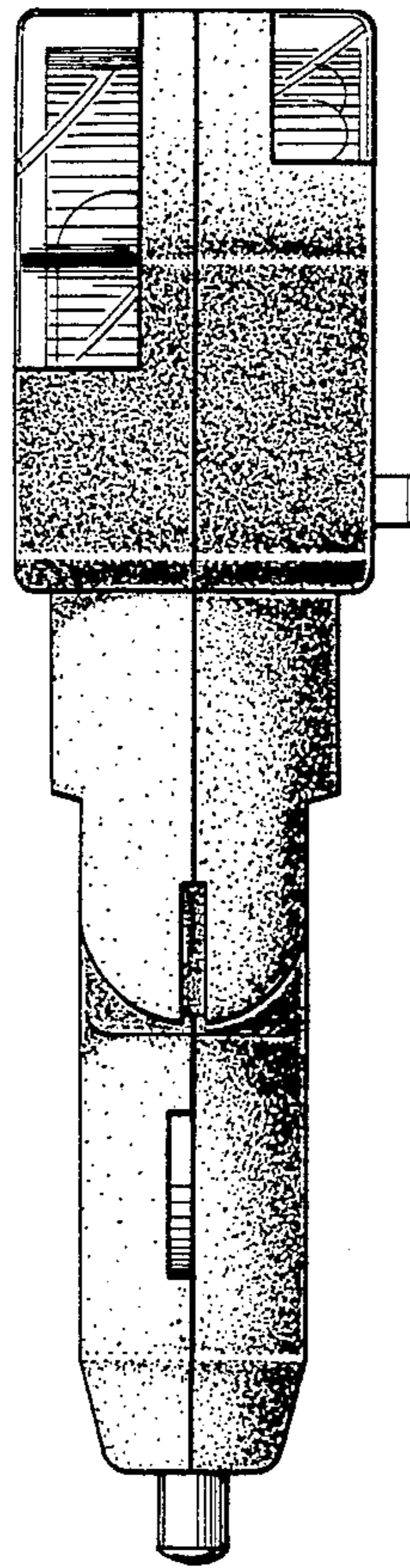


Fig. 7.