

[54] **MEASURING TAPE CASE**
 [75] **Inventor: Dong M. Kang, Seoul, Rep. of Korea**
 [73] **Assignee: Korea Measures Co., Ltd., Busan, Rep. of Korea**
 [**] **Term: 14 Years**
 [21] **Appl. No.: 168,758**
 [22] **Filed: Mar. 16, 1988**

[30] **Foreign Application Priority Data**
 Dec. 28, 1987 [KR] Rep. of Korea 19376/1987
 [52] **U.S. Cl. D10/72**
 [58] **Field of Search D10/70, 72, 74; 33/700, 33/757, 755, 758, 759, 760, 761, 762, 763, 764, 765, 766, 767, 768, 769, 770; 242/84.8, 85, 96, 107.3, 107.4 A, 107.4 R**

[56] **References Cited**
U.S. PATENT DOCUMENTS
 D. 203,410 1/1966 Quenot D10/72
 3,289,306 12/1966 Todd 33/760
 3,347,487 10/1967 Sellen et al. 242/84.8
 3,627,222 12/1971 Quenot 242/84.8
 3,763,569 10/1973 Merlat 33/766
 3,806,059 4/1974 Quenot 242/84.8
 3,830,443 8/1974 Quenot 242/96 X

4,189,107 2/1980 Quenot et al. 33/761 X
 4,251,038 2/1981 Gename 242/96 X

FOREIGN PATENT DOCUMENTS

3334835 4/1985 Fed. Rep. of Germany 33/759
 1507297 12/1967 France 33/760
 83/00215 1/1983 World Int. Prop. O. 33/755

OTHER PUBLICATIONS

New Klein Tools—946-150, 3/10/77, cover page.

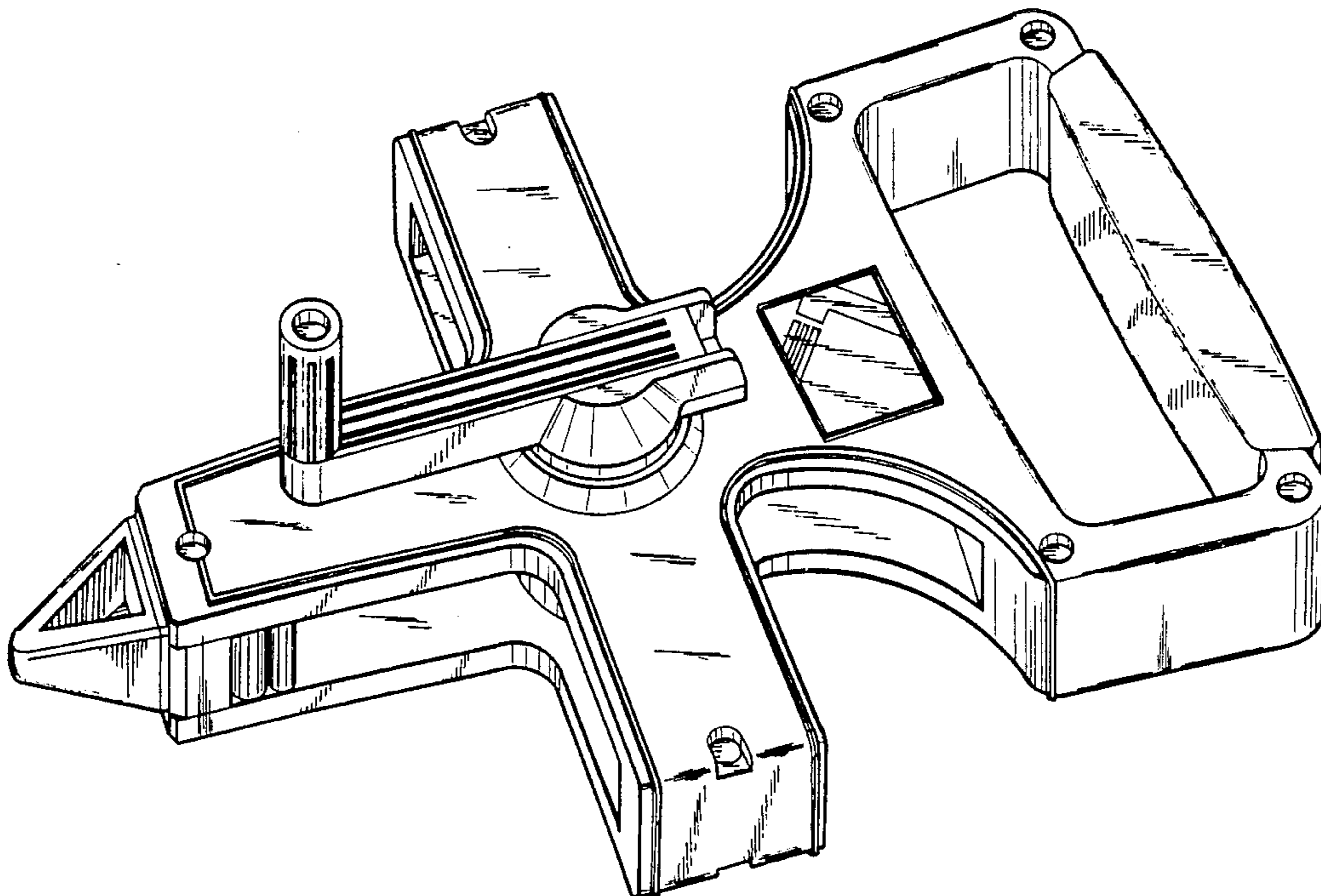
Primary Examiner—Nelson C. Holtje
Assistant Examiner—Antoine D. Davis
Attorney, Agent, or Firm—Flynn, Thiel, Boutell & Tanis

[57] **CLAIM**

The ornamental design for a measuring tape case, as shown and described.

DESCRIPTION

FIG. 1 is a top, front and right side perspective view of a measuring tape case showing my new design;
 FIG. 2 is a top plan view;
 FIG. 3 is a left side elevational view;
 FIG. 4 is a bottom plan view;
 FIG. 5 is a front elevational view;
 FIG. 6 is a rear elevational view; and
 FIG. 7 is a sectional view thereof, taken along the line A—A of FIG. 2.



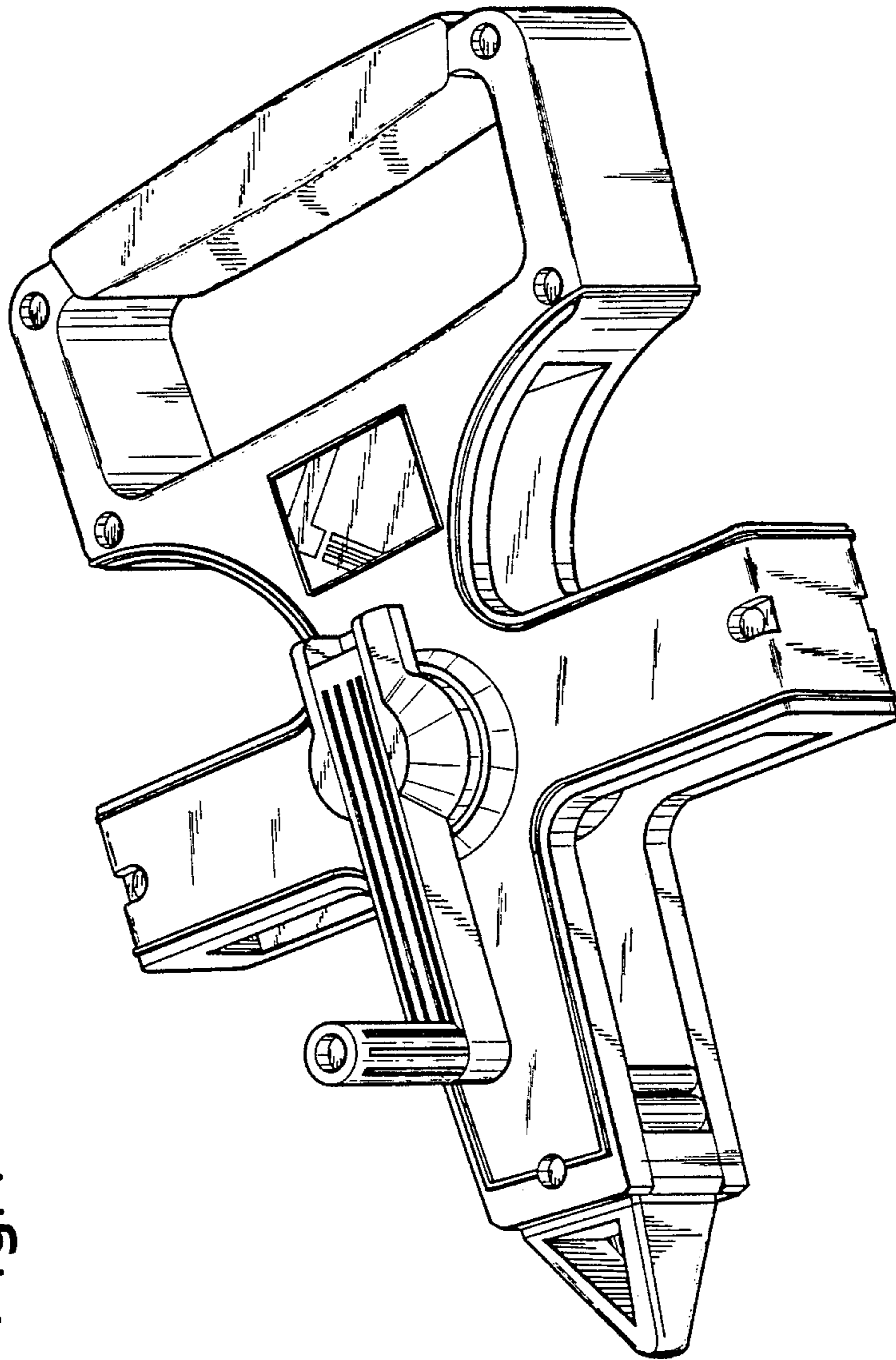


Fig. 1

Fig. 2

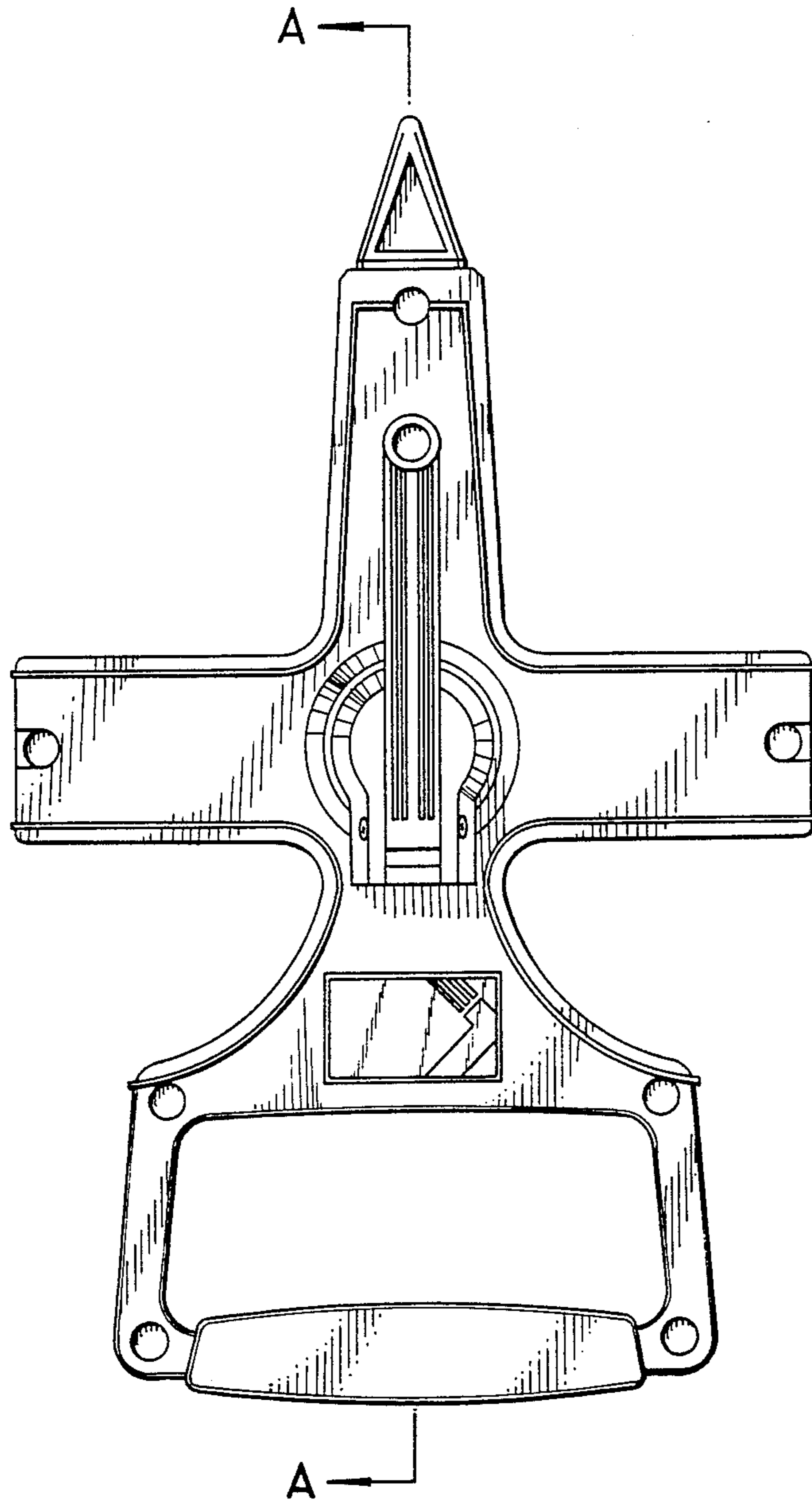


Fig. 3

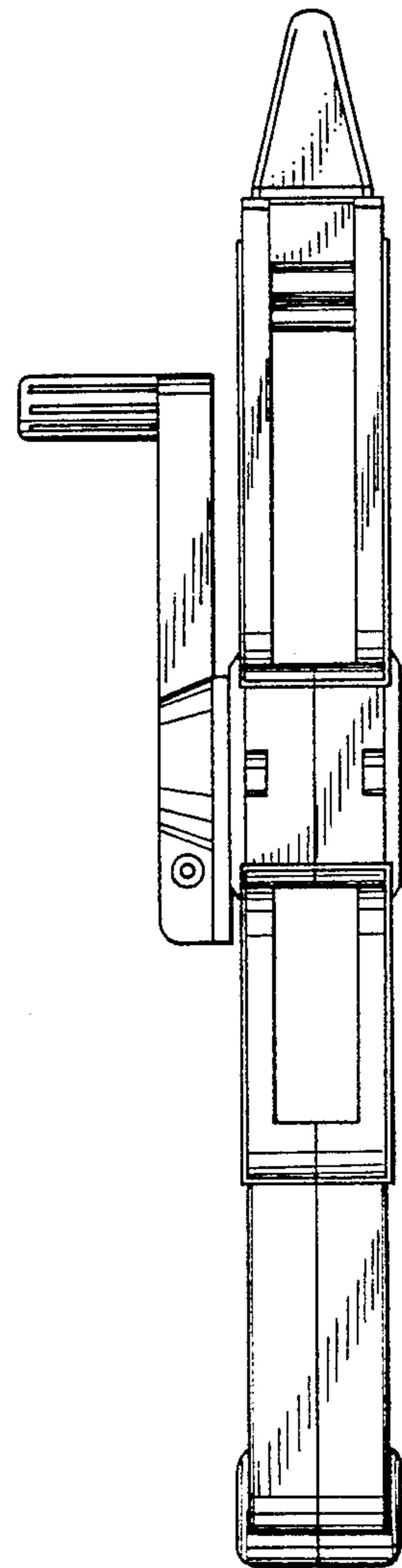


Fig. 4

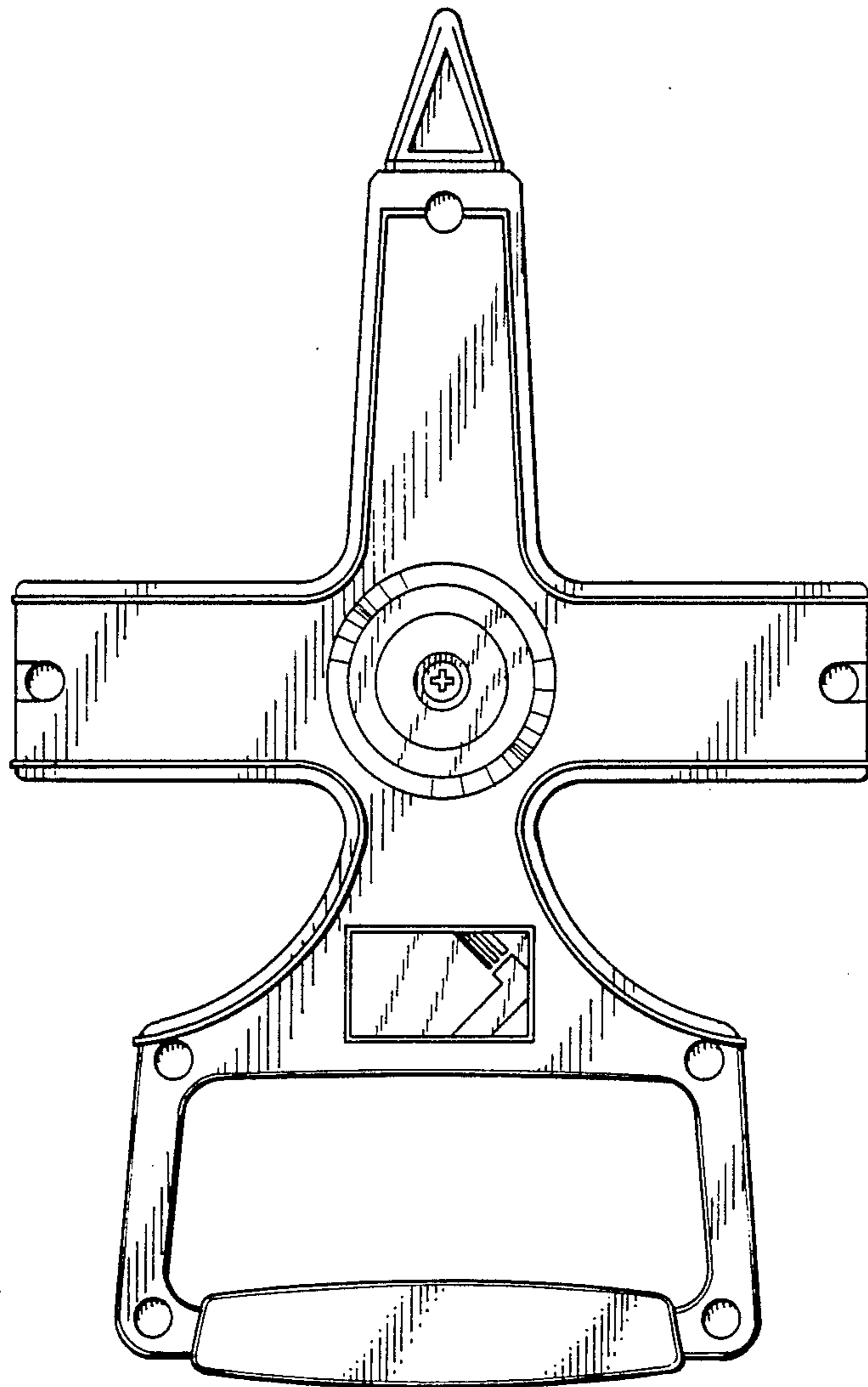


Fig. 5

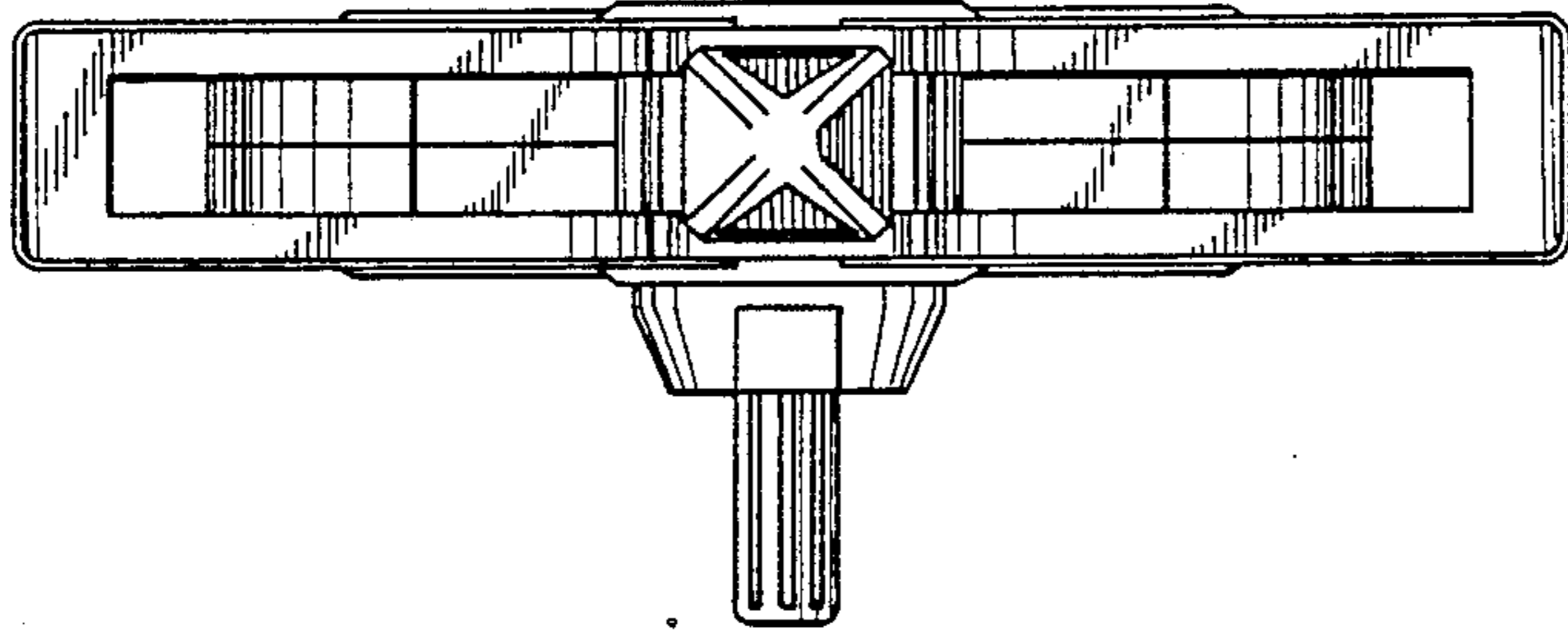


Fig. 7

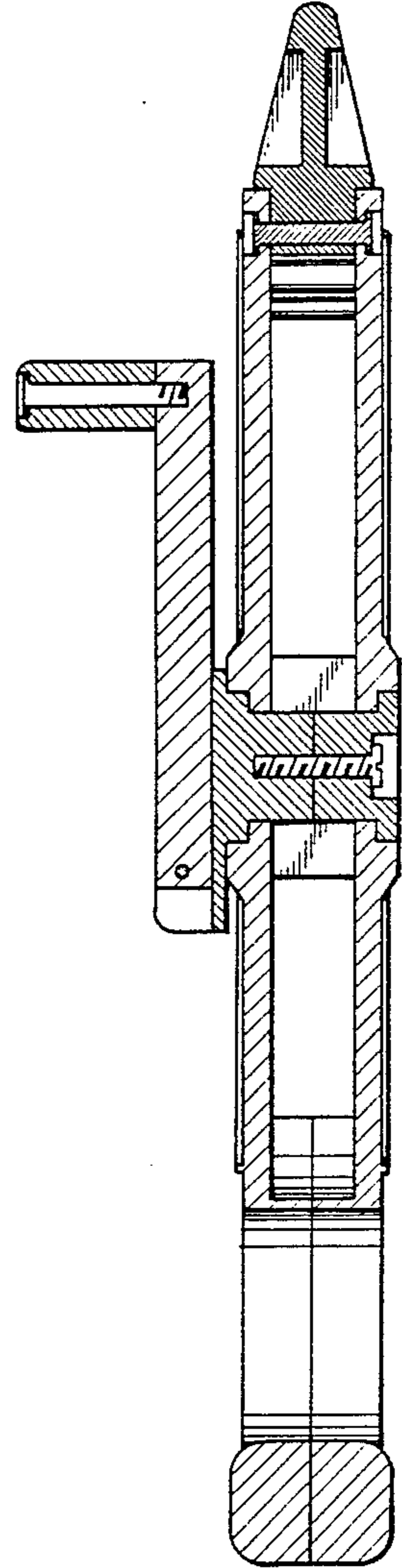


Fig. 6

