

[54] CHART RECORDER

[75] Inventors: Milton B. Hollander; Laszlo Tapolcai; George R. Rounds, all of Stamford, Conn.

[73] Assignee: Omega Engineering, Inc., Stamford, Conn.

[\*\*] Term: 14 Years

[21] Appl. No.: 205,109

[22] Filed: Jun. 10, 1988

[52] U.S. Cl. .... D10/46; D10/65

[58] Field of Search ..... D10/46, 49, 65; 33/1 C, 33/1 G, 568, 569; 40/904; 346/60, 61, 62, 63, 64, 65, 66, 67, 68, 69, 70, 71, 72, 73, 74.1, 74.2, 80, 8, 29, 30, 31, 56, 57, 134, 135, 136, 137, 138

[56] References Cited

U.S. PATENT DOCUMENTS

D. 85,727	12/1931	Teague	.....	D10/46
D. 93,855	11/1934	Suhr	.....	D10/46
D. 158,239	4/1950	Wills	.....	D10/49 X
D. 191,412	9/1961	Porter	.....	D10/46
1,263,308	4/1918	Bristol	.....	346/67

2,333,834	11/1943	Vetter	.....	73/431
2,351,374	6/1944	Ullman et al.	.....	73/431
2,693,993	11/1954	Dickson	.....	346/64
2,746,832	5/1956	Blackeslee	.....	346/68 X
2,873,163	2/1959	Panich	.....	346/68
3,103,402	9/1963	Stoops	.....	346/68

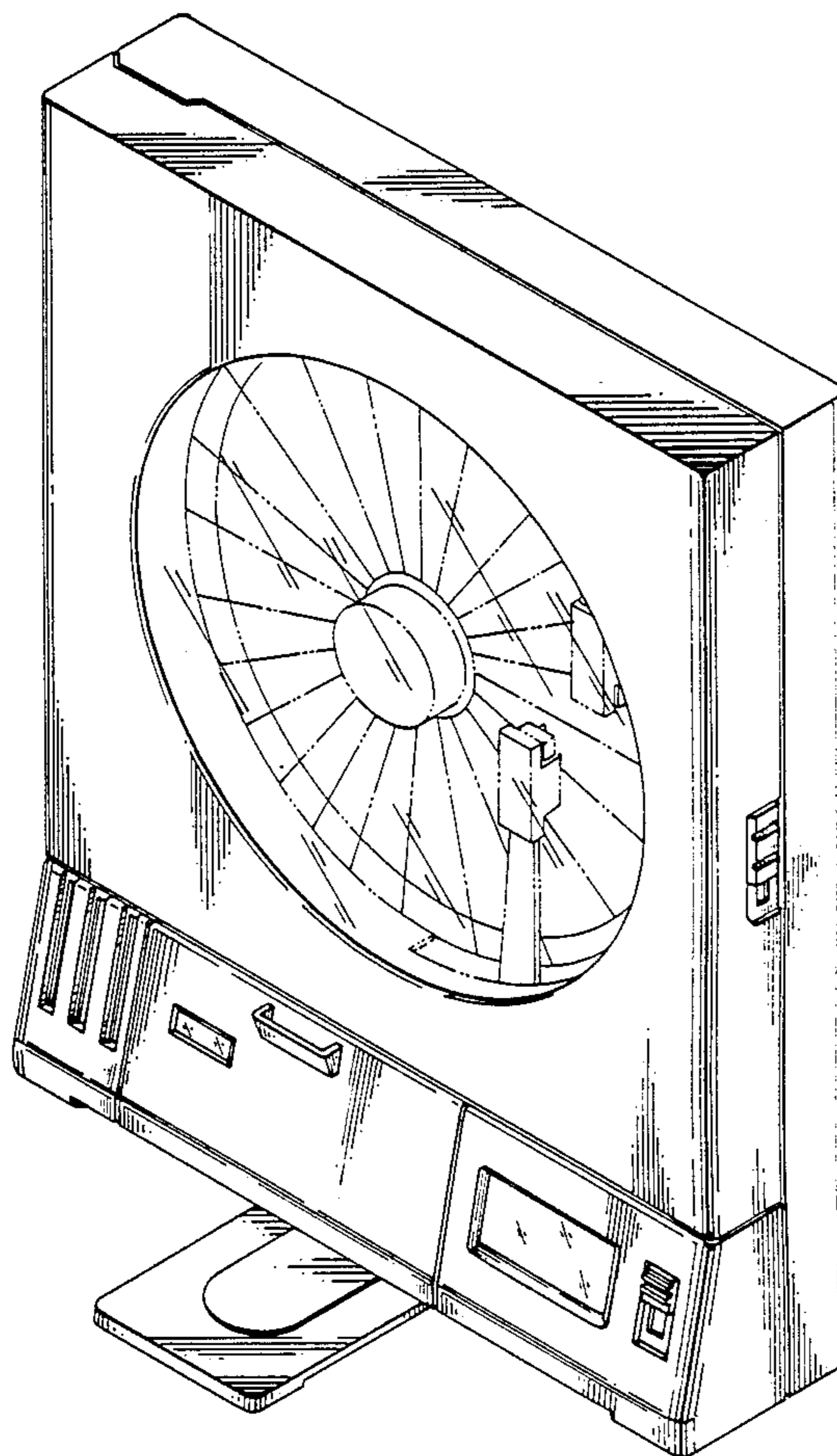
Primary Examiner—Nelson C. Holtje  
Assistant Examiner—Antoine D. Davis  
Attorney, Agent, or Firm—Bruce E. Hosmer

[57] CLAIM

The ornamental design for chart recorder, as shown and described.

DESCRIPTION

FIG. 1 is a top, front, and right side perspective view of a chart recorder showing our new design, the broken line showing of chart and pens are for illustrative purposes only and forms no part of the claimed design; FIG. 2 is a front elevational view; FIG. 3 is a top plan view; FIG. 4 is a bottom plan view; FIG. 5 is a rear elevational view; FIG. 6 is a left side elevational view; and FIG. 7 is a right side elevational view thereof.



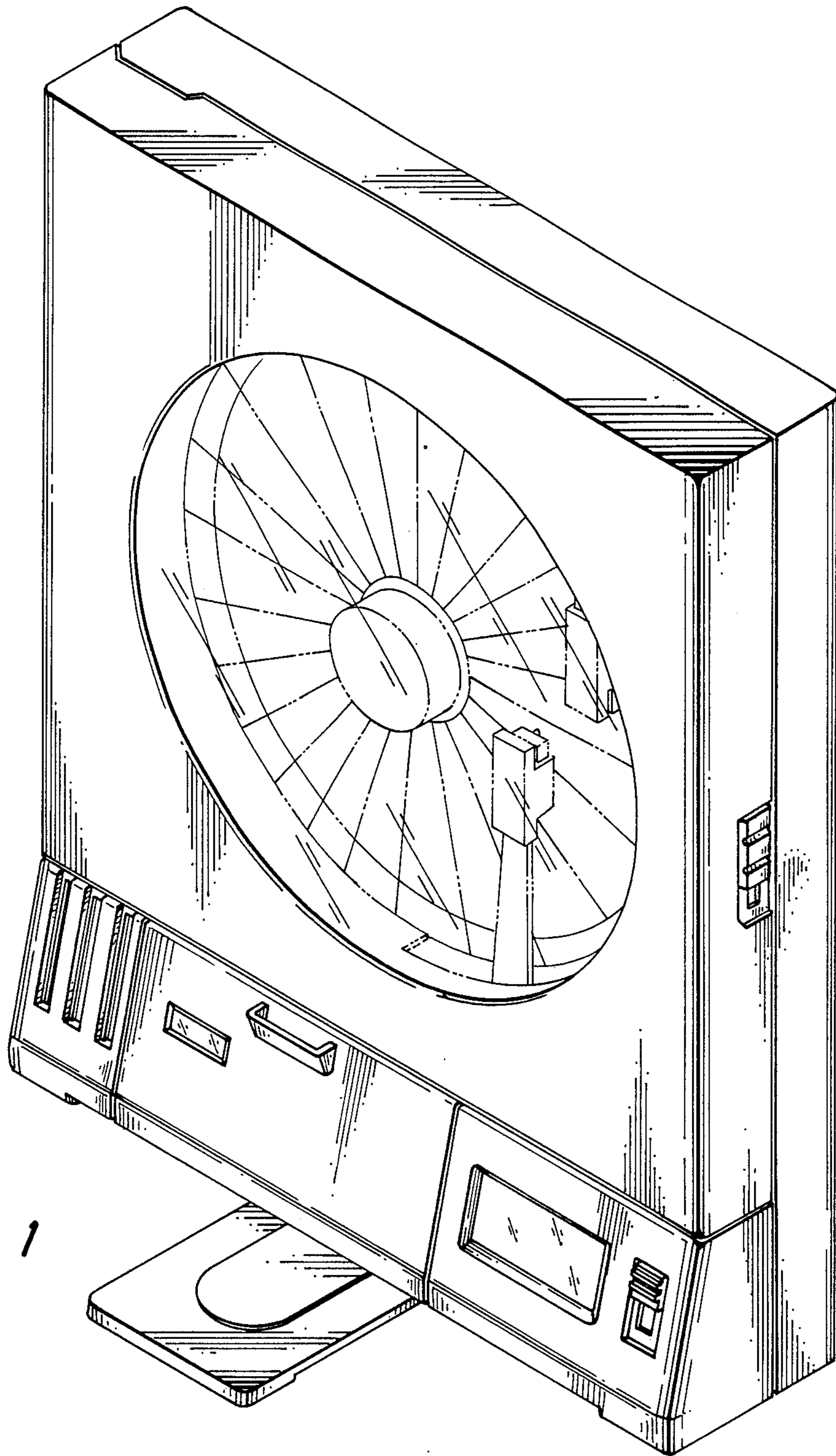


FIG. 1

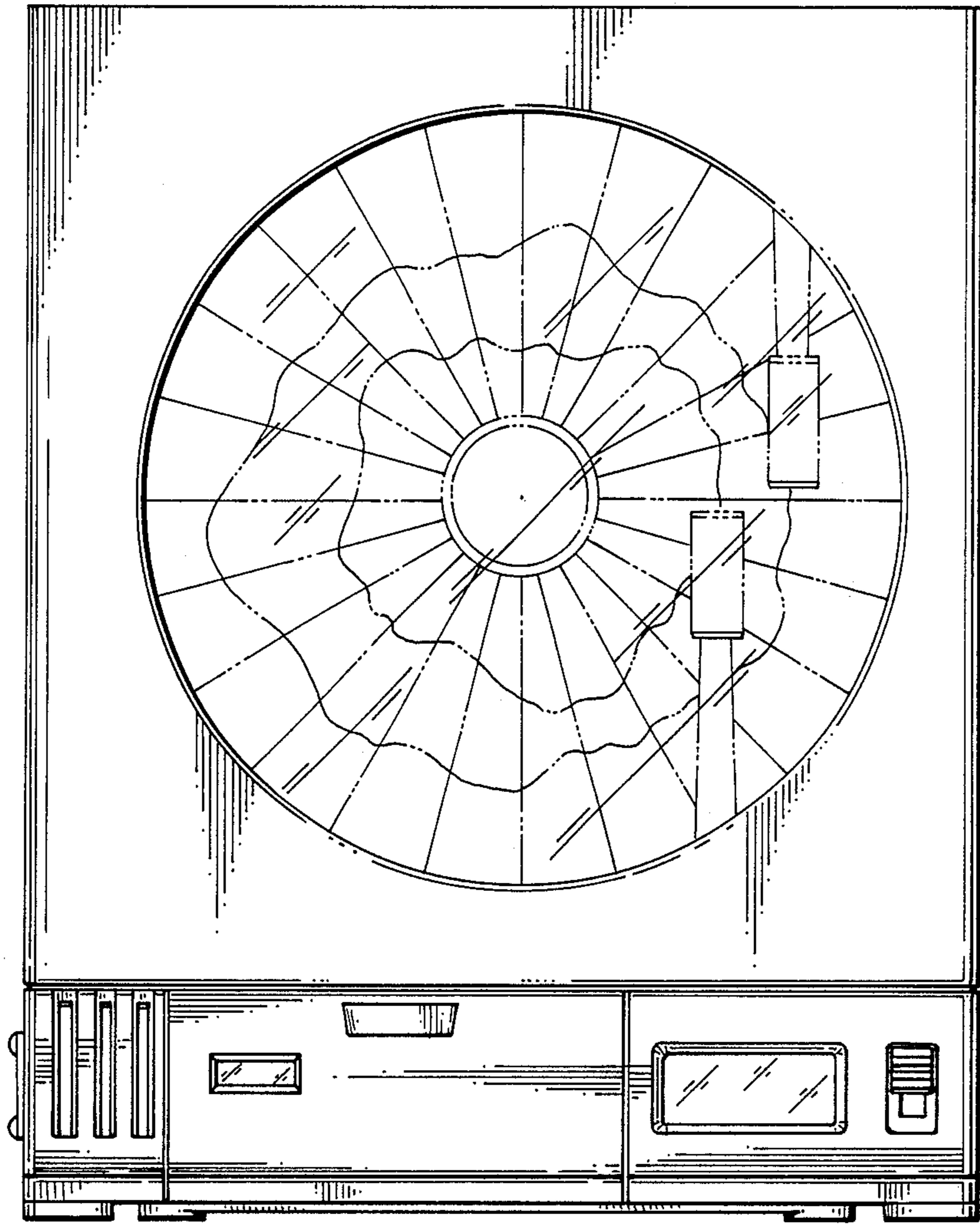


FIG. 2

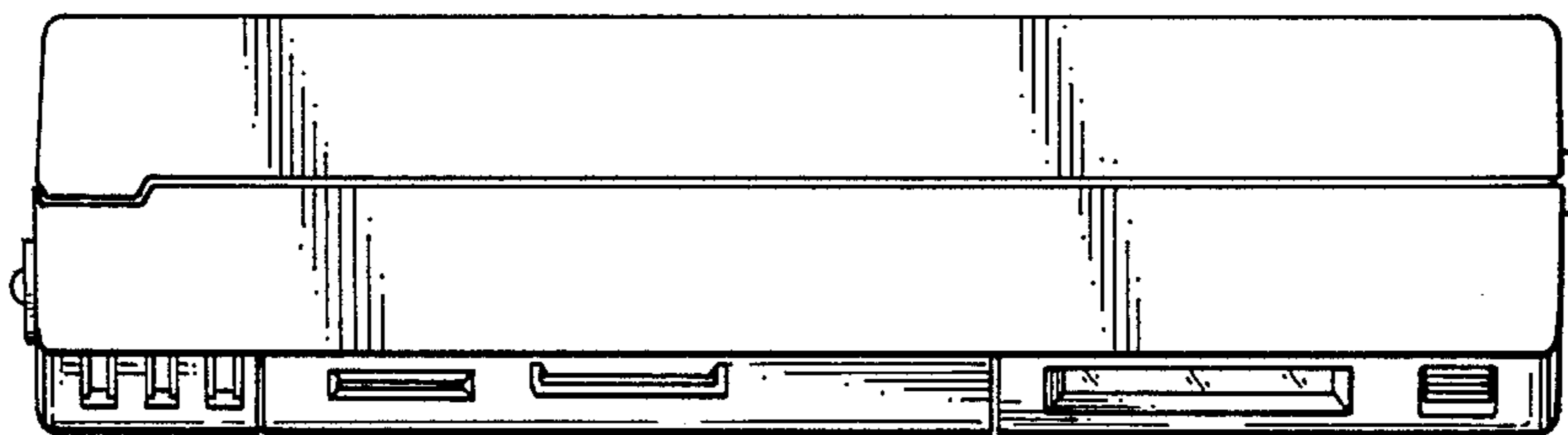


FIG. 3

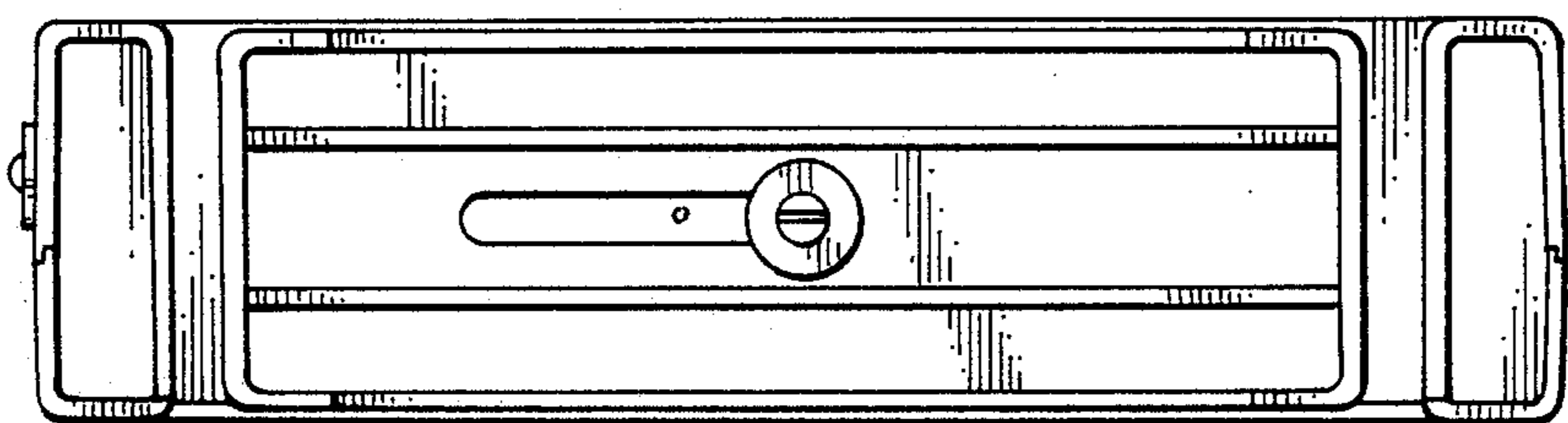


FIG. 4



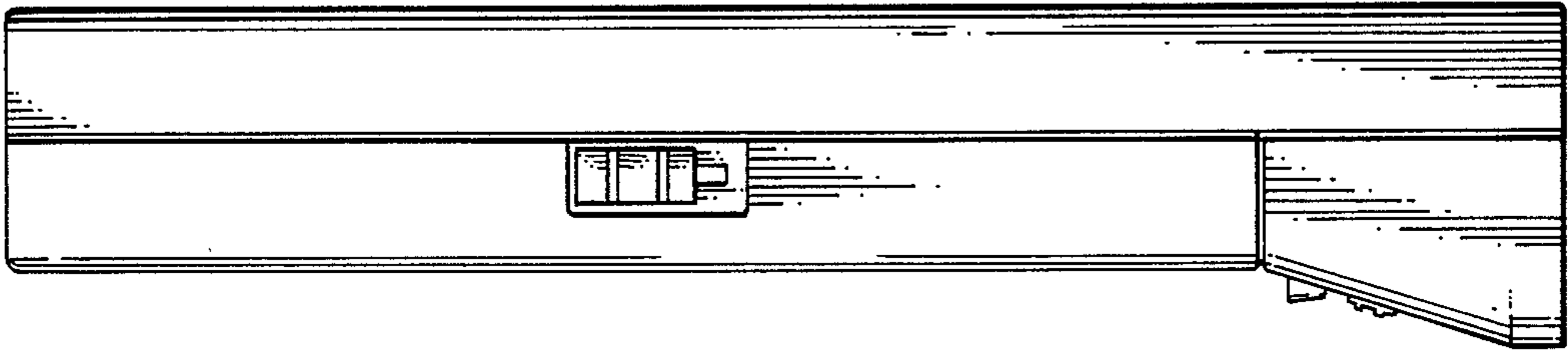


FIG. 7

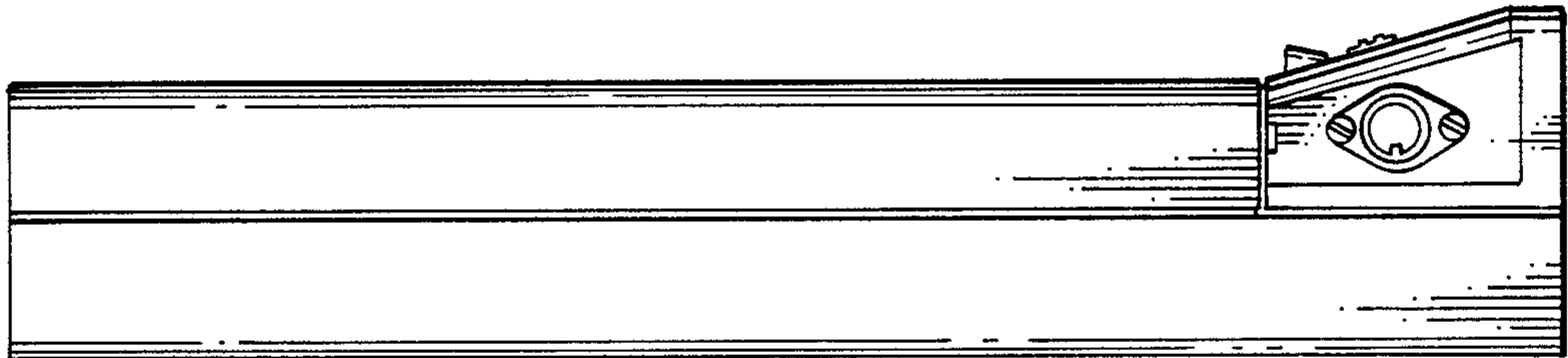


FIG. 6

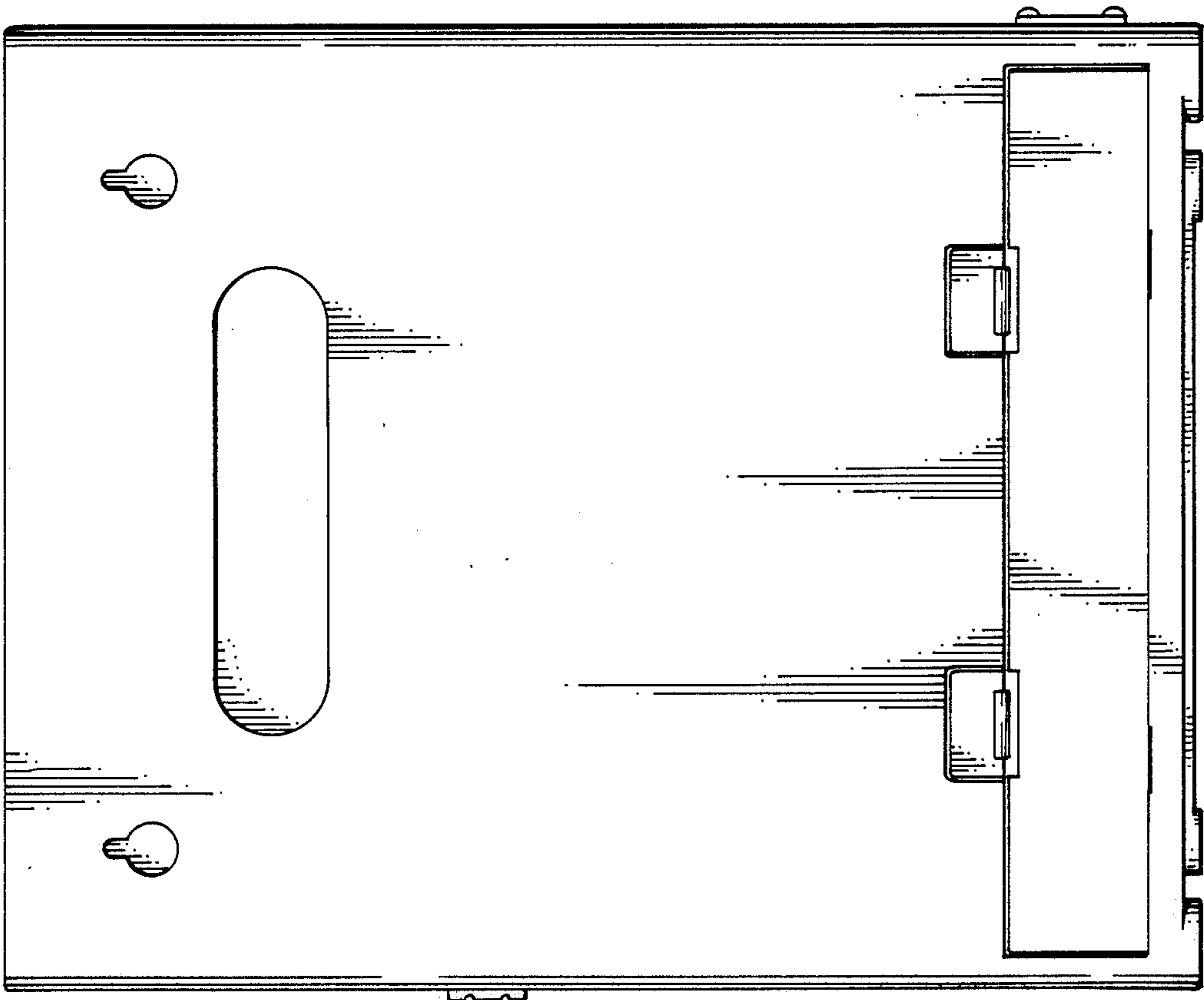


FIG. 5