

[54] CLOCK

[76] Inventor: Hidekatsu Nomizu, at Twin Bird Industrial Co., Ltd., 1559-3 Azakatamukai, Oazashimonakano, Yoshida-machi, Nishikanbara-gun, Niigata-ken, Japan

[**] Term: 14 Years

[21] Appl. No.: 934,928

[22] Filed: Nov. 25, 1986

[30] Foreign Application Priority Data

May 26, 1986 [JP] Japan 61-20200

[52] U.S. Cl. D10/22; D10/30

[58] Field of Search D10/1-39, D10/122-132; 368/45, 63, 10-11

[56] References Cited

U.S. PATENT DOCUMENTS

D. 128,392 7/1941 Gottlieb D10/28

D. 238,760 2/1976 Daum D10/30
D. 288,299 2/1987 Mark D10/40
D. 300,006 2/1989 Booty D10/6 X
3,998,045 12/1976 Lester 368/63

OTHER PUBLICATIONS

Home Furnishings Daily—10/6/86—p. 102—Kitchen Clock/Timer.

Primary Examiner—Nelson C. Holtje
Attorney, Agent, or Firm—Steele, Gould & Fried

[57] CLAIM

The ornamental design for a clock, shown.

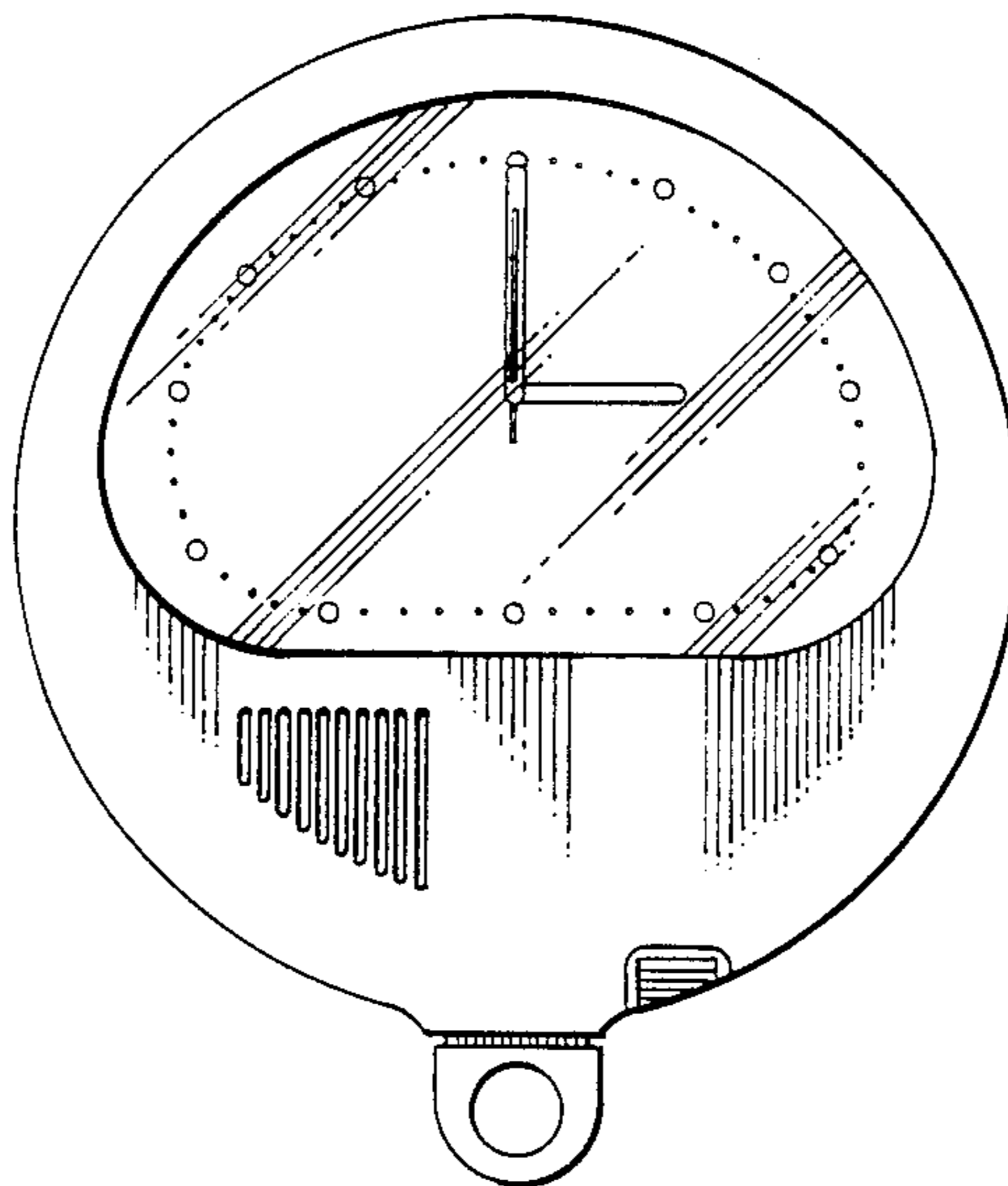
DESCRIPTION

FIG. 1 is a front elevational view of a clock showing my new design, the rear view being plain and unornamented;

FIG. 2 is a right side elevational view thereof, the left side being substantially a mirror image thereof;

FIG. 3 is a top plan view thereof; and

FIG. 4 is a top and right, front perspective view thereof.



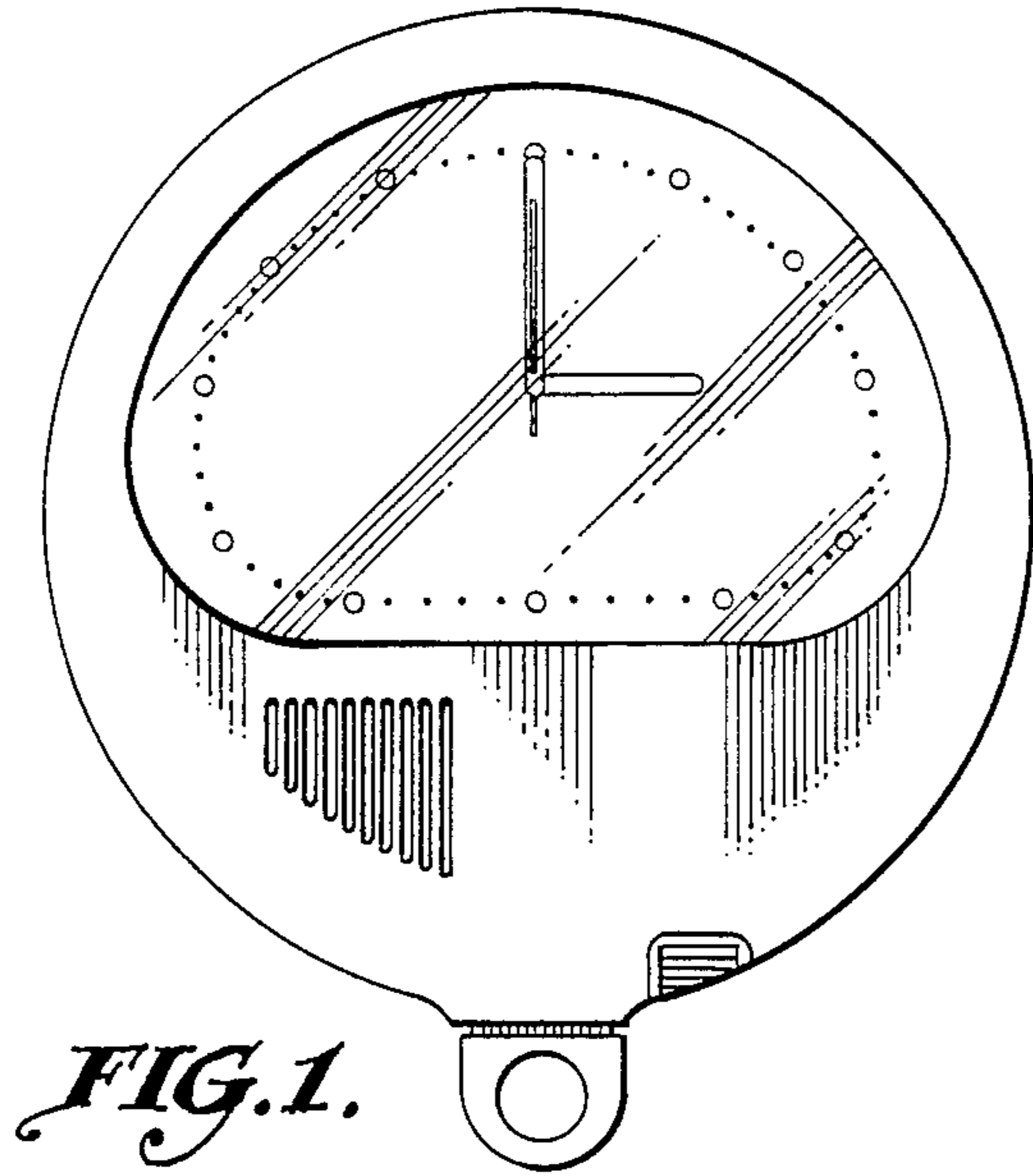


FIG. 1.

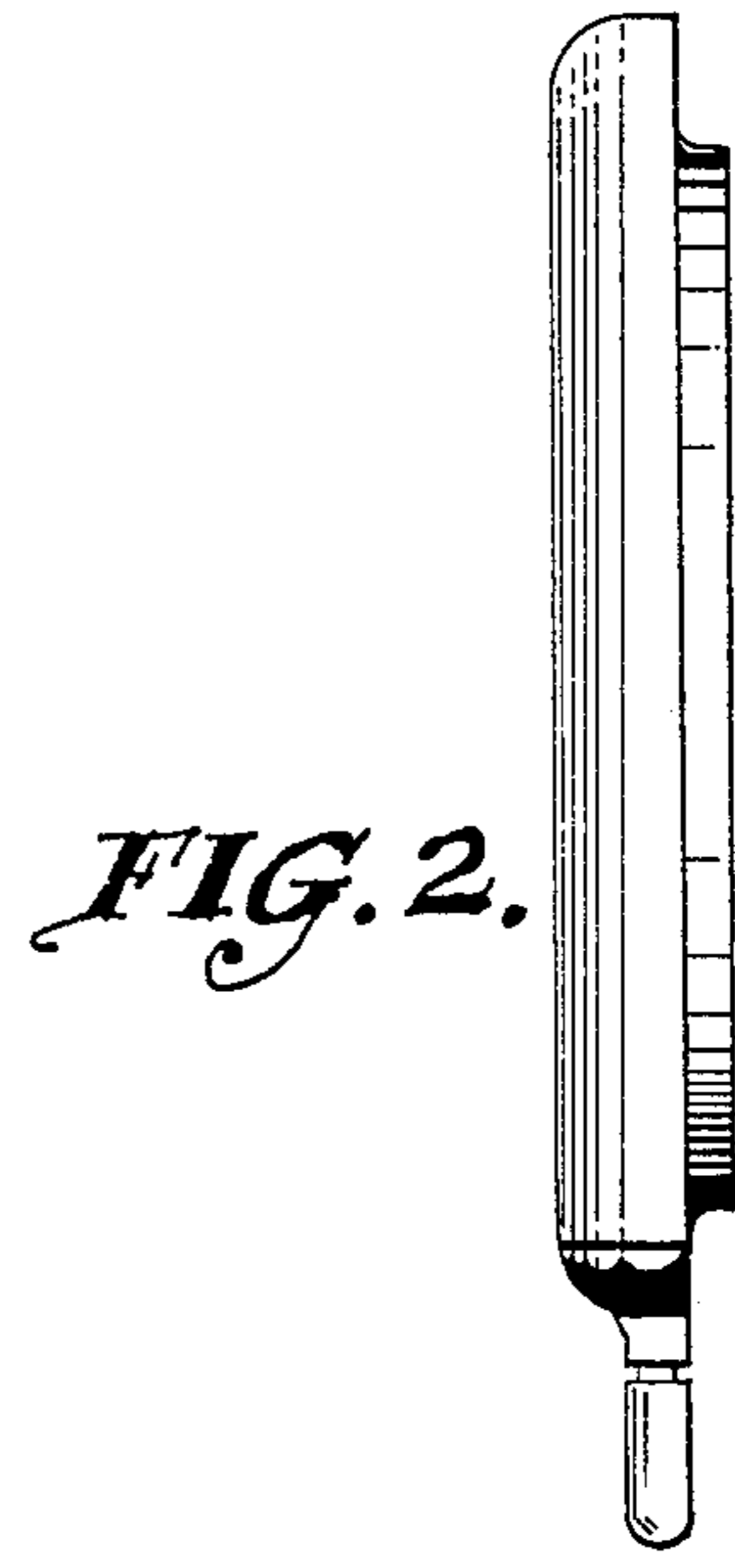


FIG. 2.

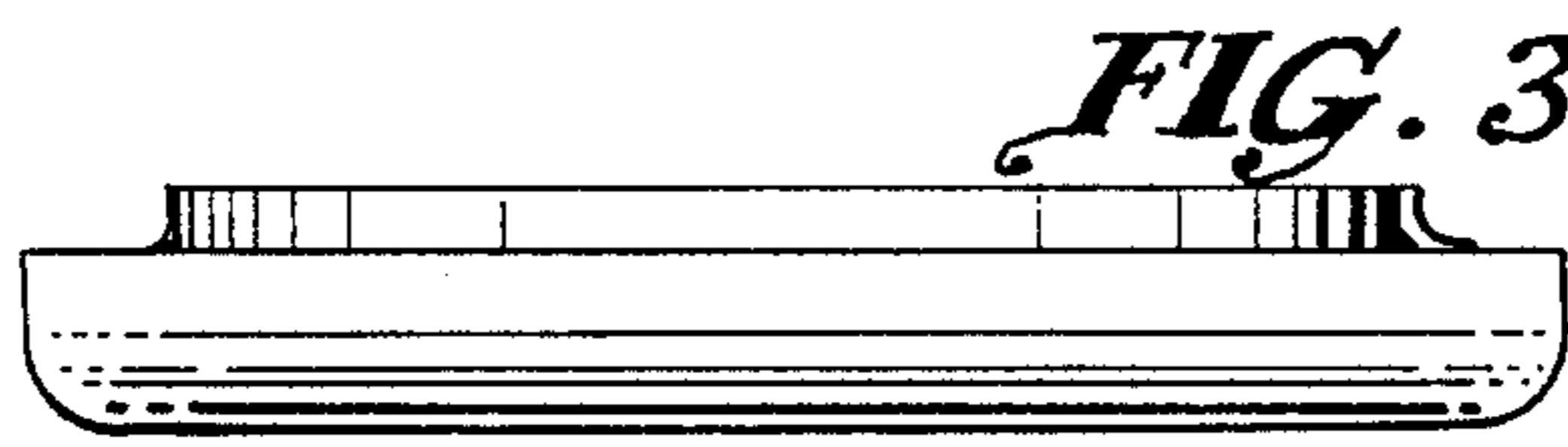


FIG. 3.

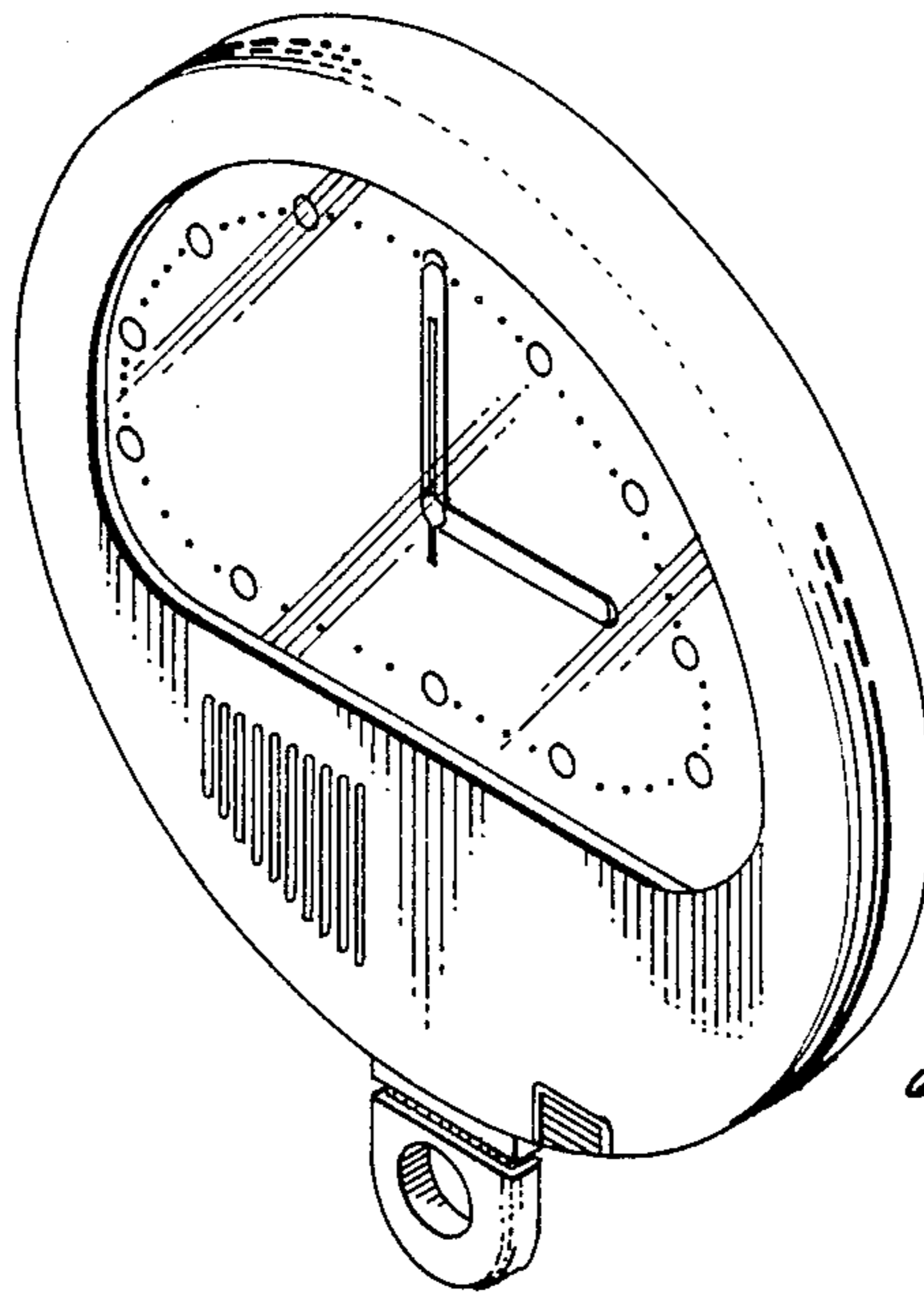


FIG. 4.