

[54] CONTAINER COVER

[76] Inventor: John E. Hodge, P.O. Box 309, Moline, Ill. 61265

[**] Term: 14 Years

[21] Appl. No.: 22,231

[22] Filed: Mar. 4, 1987

[52] U.S. Cl. D9/435

[58] Field of Search D7/40, 392.1; D9/341, D9/342, 345, 420, 424, 429, 432, 435, 438, 443, 452-454, 456; 206/229, 612; 215/232, 250, 255, 258; 220/200, 259, 269, 306, 334, 337, 338, 367; 229/3.5 MF, 87 B, 87 P, 123.2

[56] References Cited

U.S. PATENT DOCUMENTS

D. 164,628	9/1951	Davis	D9/435
D. 249,637	9/1978	Iten	D9/341
3,628,685	12/1971	Gordon	220/334

3,655,088	4/1972	Box	220/337
3,841,516	10/1974	März	220/334
4,161,261	7/1979	Frater	220/337
4,210,252	7/1980	Cooke et al.	220/334
4,620,644	11/1986	Miller	220/337

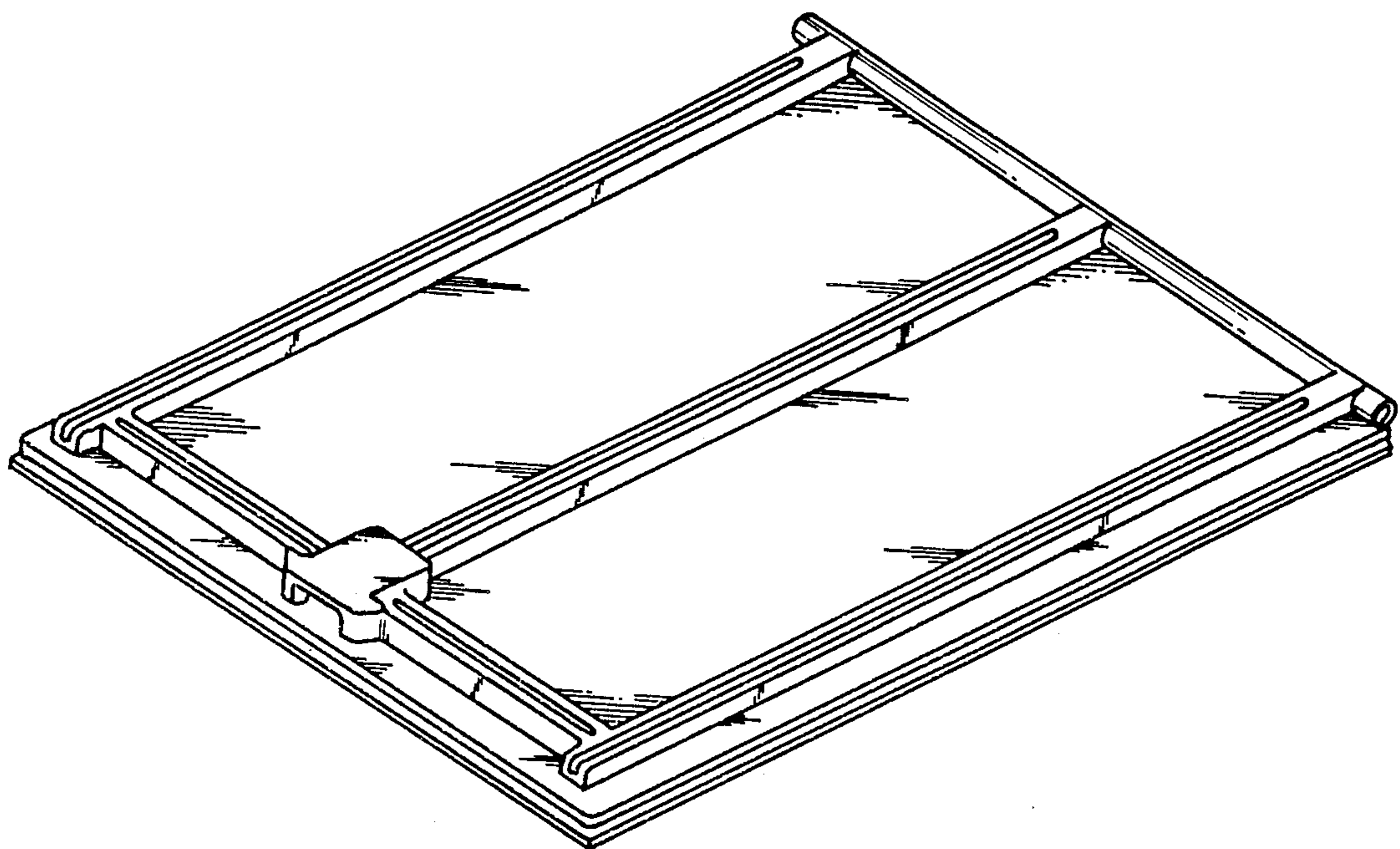
Primary Examiner—A. Hugo Word
Assistant Examiner—Celia A. Murphy
Attorney, Agent, or Firm—Robert O. Richardson

[57] CLAIM

The ornamental design for a container cover, as shown and described.

DESCRIPTION

FIG. 1 is a top perspective view of a container cover showing my new design;
FIG. 2 is a top plan view thereof, the side opposite being plain and unornamented;
FIG. 3 is a right side elevational view thereof, the left side being a mirror image; and
FIG. 4 is a front elevational view thereof.



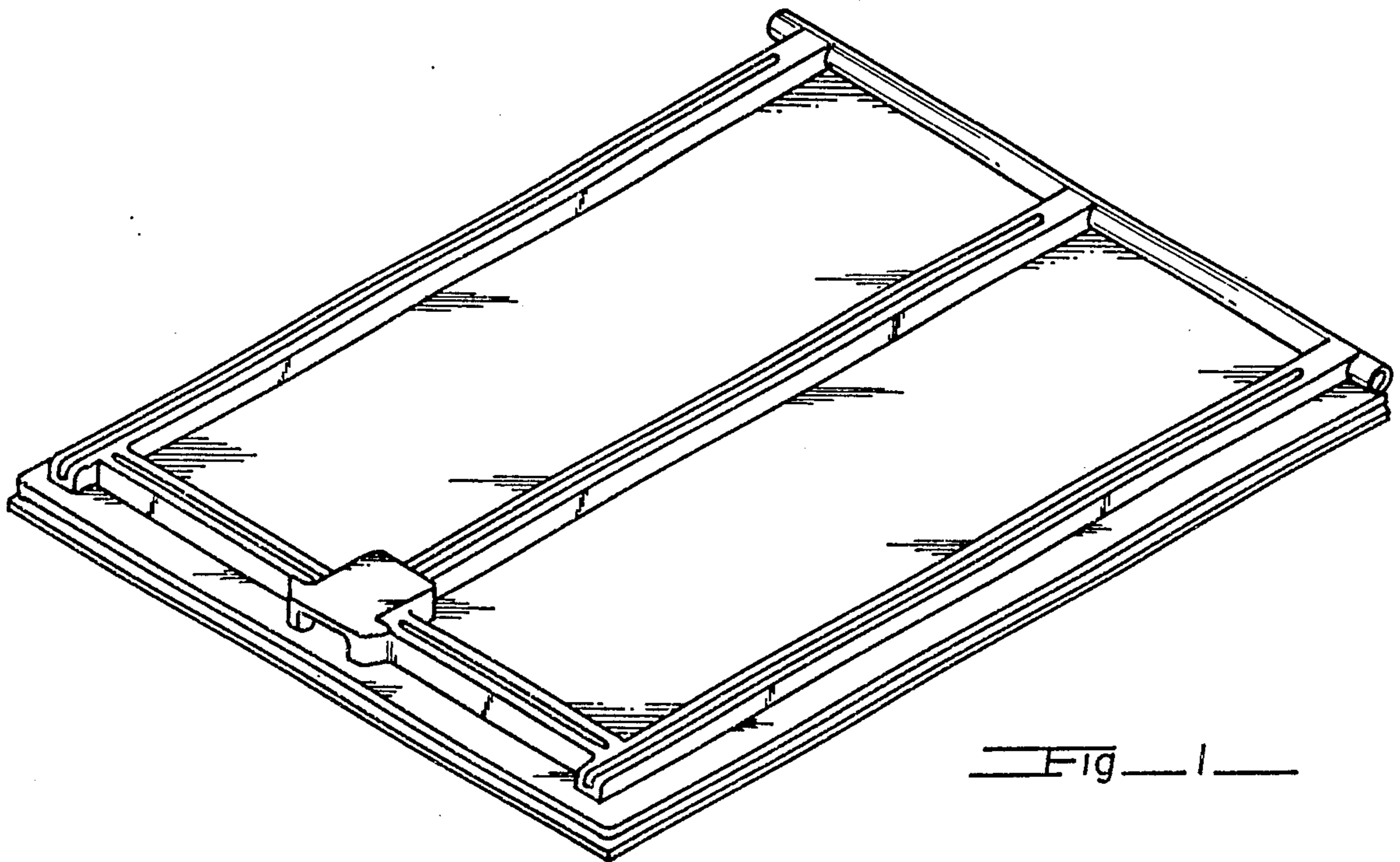


Fig. 1

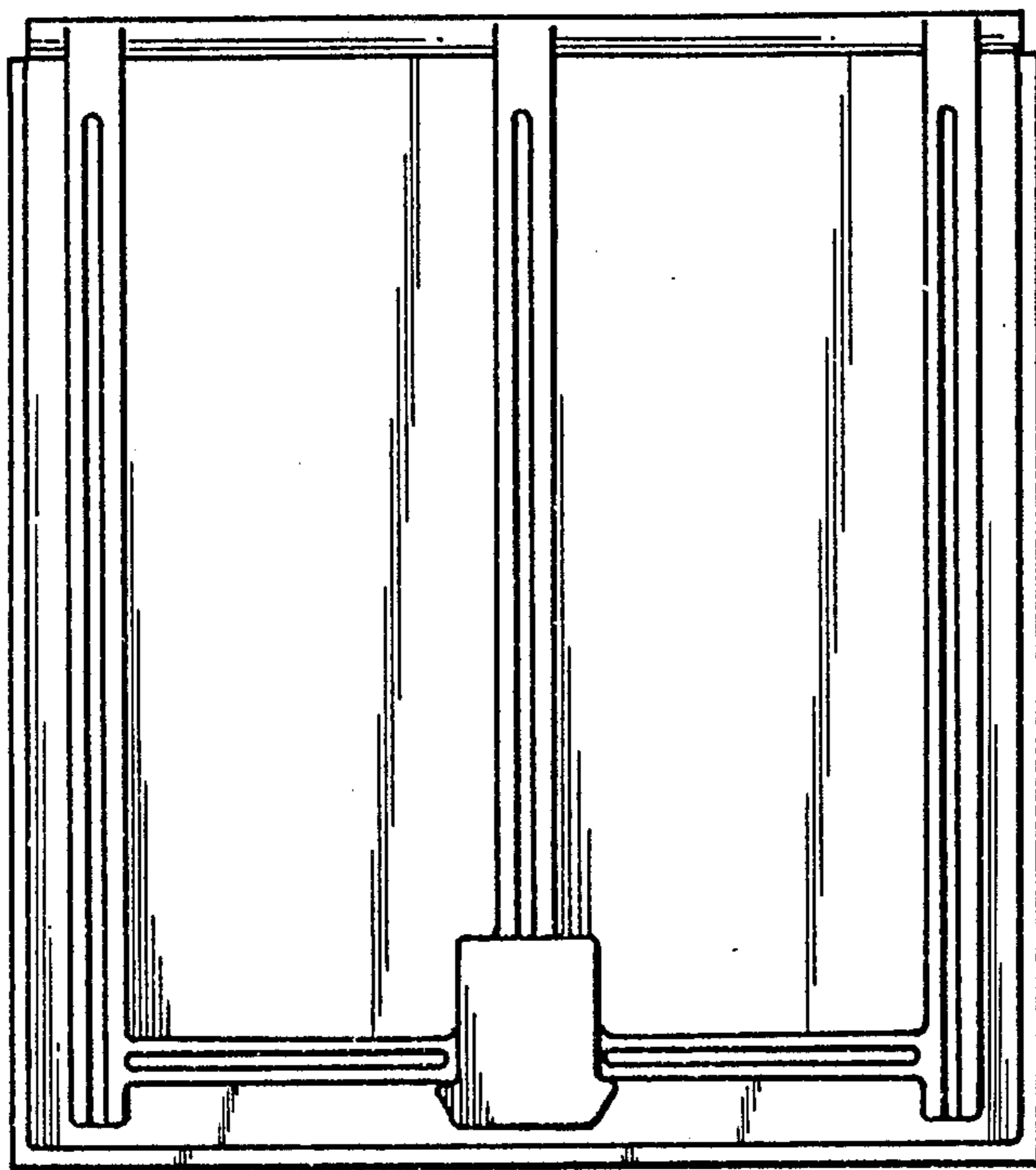


Fig. 2



Fig. 3



Fig. 4