

[54] CONTAINER FOR LOTTERY TICKETS

4,724,964 2/1988 Hernandez 206/461

[76] Inventors: Keyvan T. Diba, 11841 Goshen Ave., Los Angeles, Calif. 90049; Allan M. Shapiro, 15315 Magnolia Blvd., #105, Sherman Oaks, Calif. 91403

Primary Examiner—Bernard Ansher
Assistant Examiner—Prabhakar Deshmukh
Attorney, Agent, or Firm—Allan M. Shapiro

[**] Term: 14 Years

[57] CLAIM

[21] Appl. No.: 180,267

The ornamental design for a container for lottery tickets, as shown and described.

[22] Filed: Apr. 11, 1988

DESCRIPTION

[52] U.S. Cl. D9/415

[58] Field of Search D9/415, 418, 420; 206/45.31, 39, 45.23, 461-471; 150/147, 149

FIG. 1 is a top perspective view of a container for lottery tickets showing my new design; FIG. 2 is a bottom perspective view thereof; FIG. 3 is a left side elevation thereof; FIG. 4 is a rear elevational thereof; FIG. 5 is a front elevation thereof; FIG. 6 is a bottom plan view thereof; FIG. 7 is a top perspective view thereof; in an open position; FIG. 8 is a right side elevation of FIG. 7; the left side elevation being a mirror image; and FIG. 9 is an elevation of FIG. 7; taken along line 9-9 of FIG. 7.

[56] References Cited

U.S. PATENT DOCUMENTS

D. 278,979	5/1985	Anderson et al.	D9/415
811,489	1/1906	Dunwell	206/39
3,302,774	2/1967	Zalkind	206/39
3,463,309	8/1969	Szostek	206/470
3,927,442	12/1975	Foster	206/39 X
4,499,353	2/1985	Shields	206/470
4,574,951	3/1986	Weaver	206/470 X

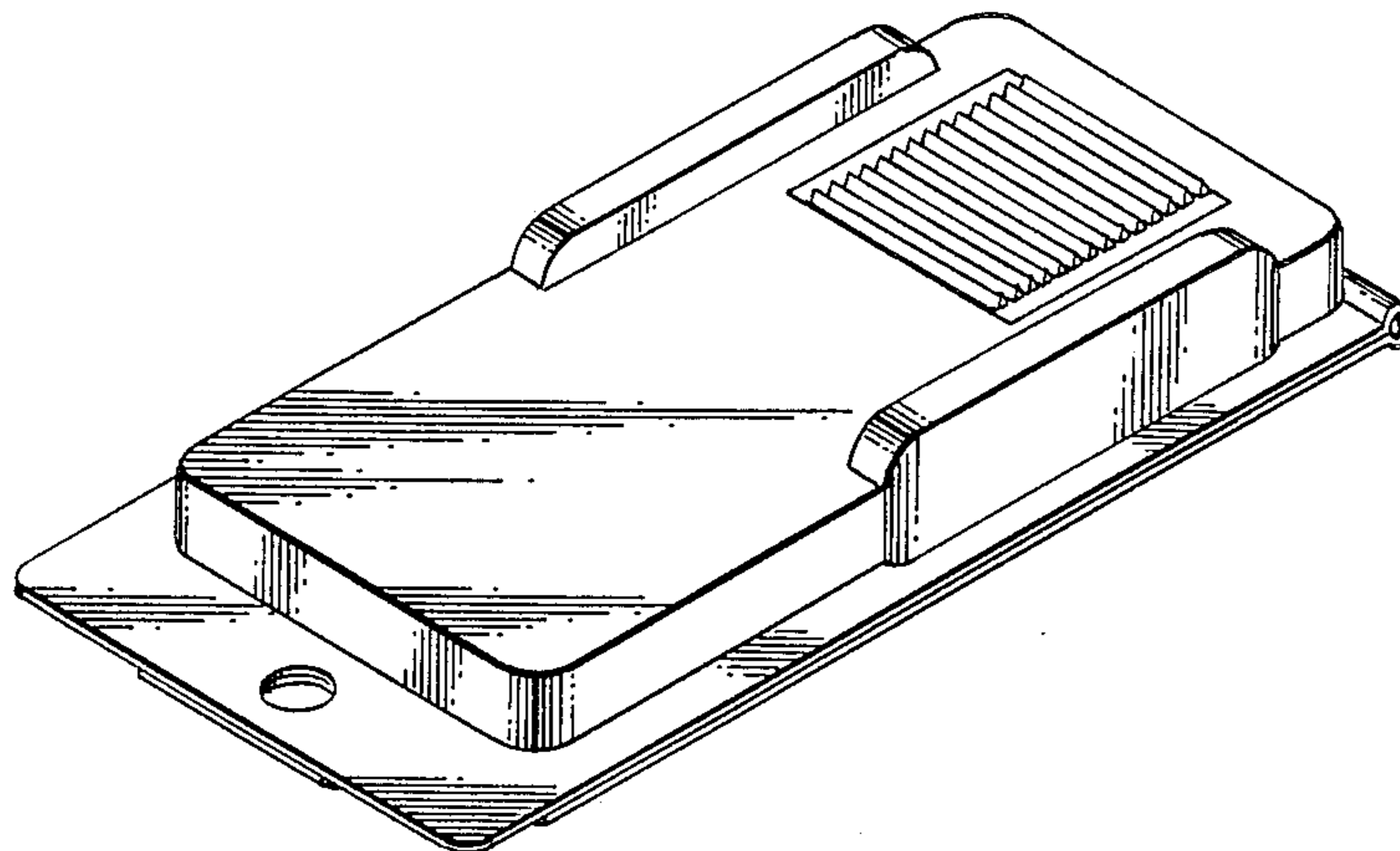


FIG. 1

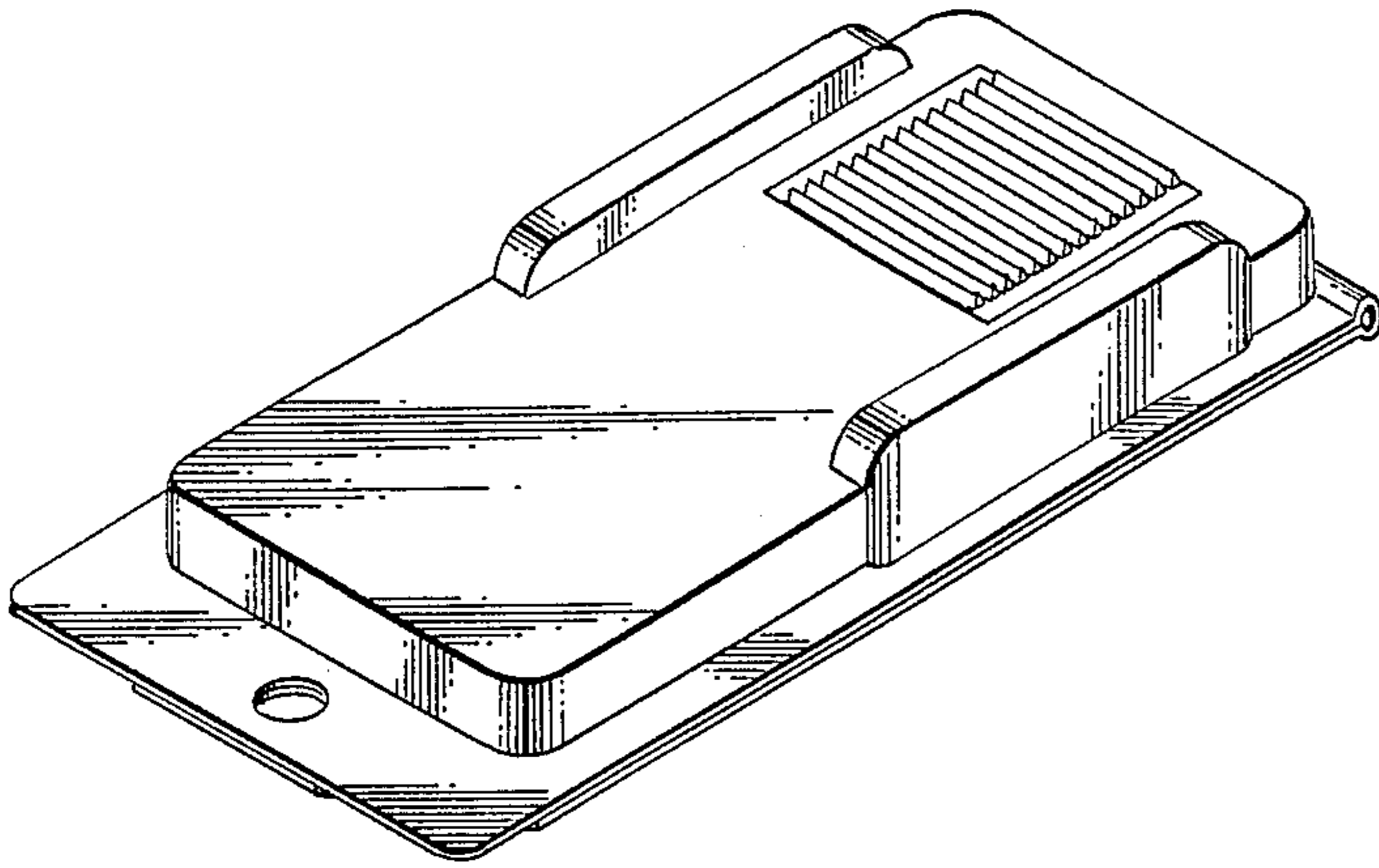


FIG. 2

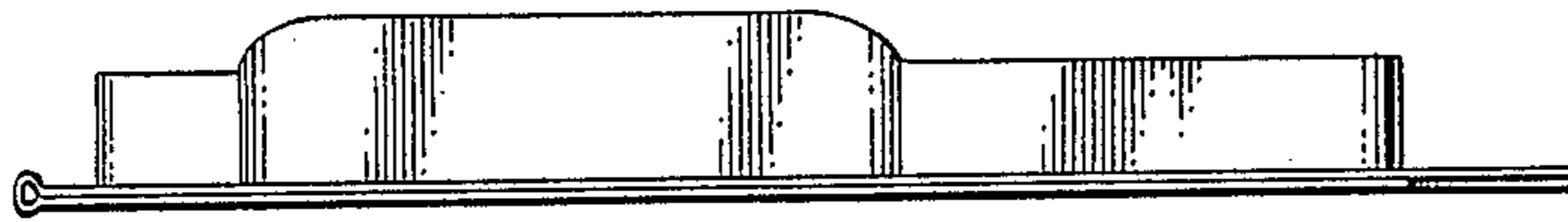
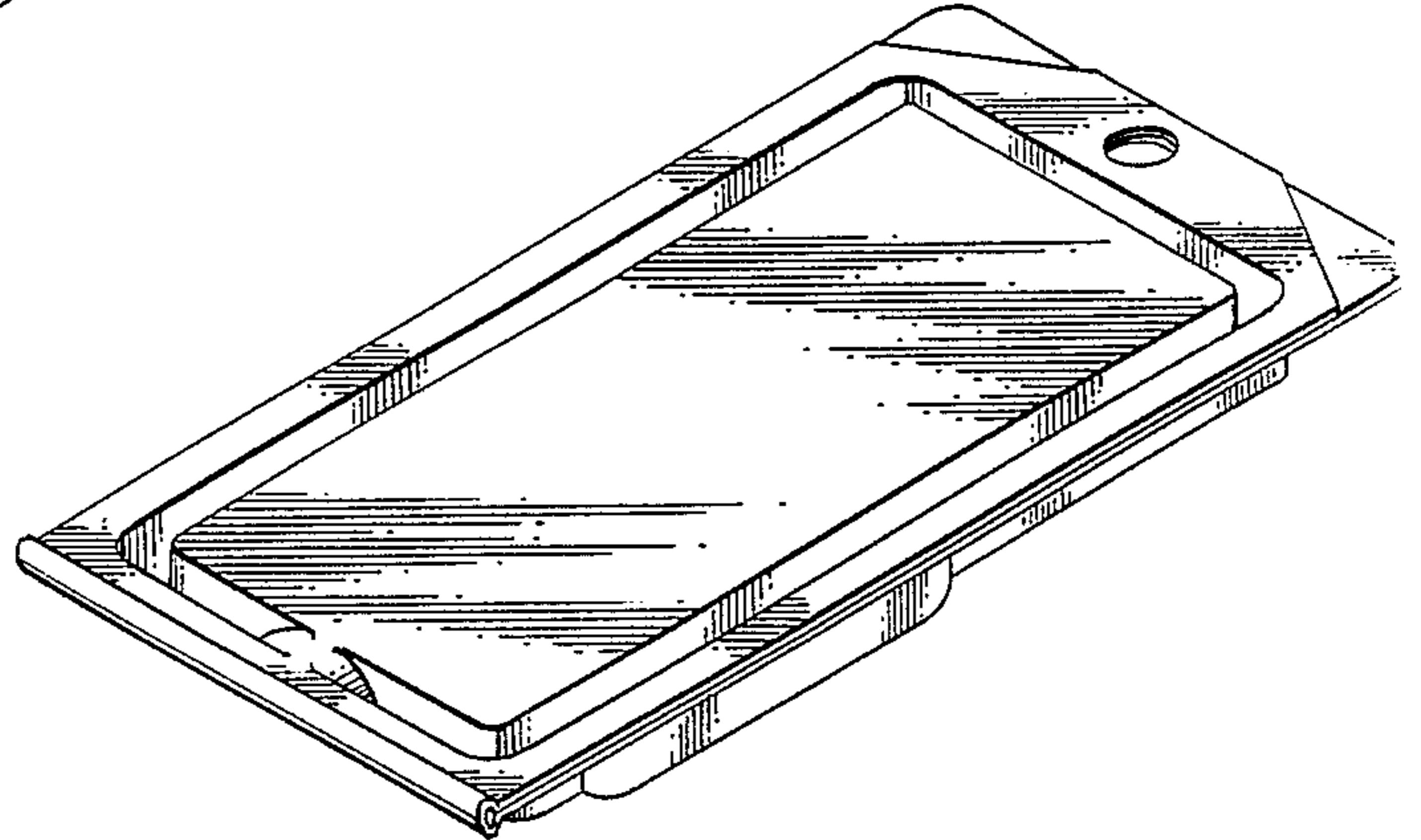


FIG. 3

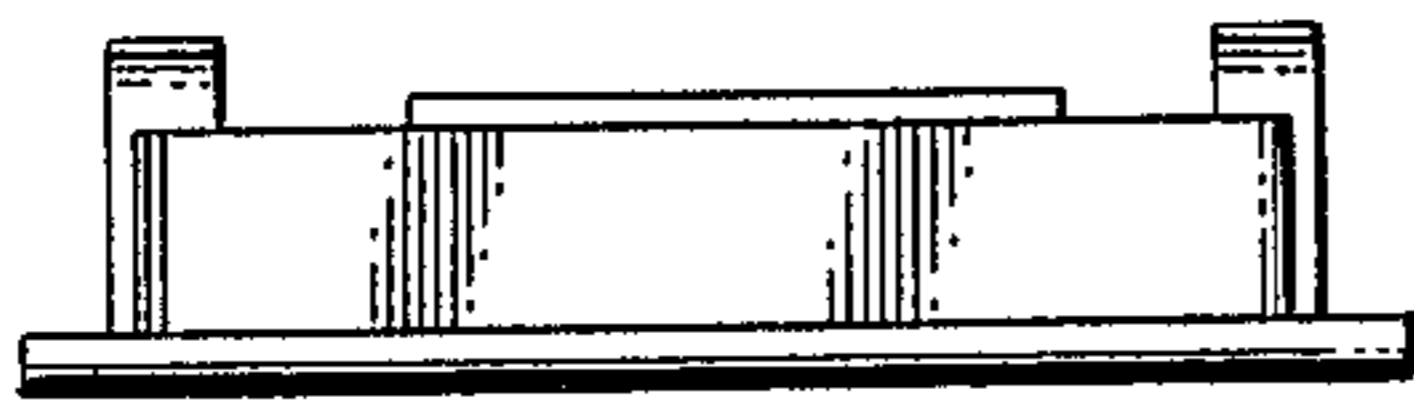


FIG. 4

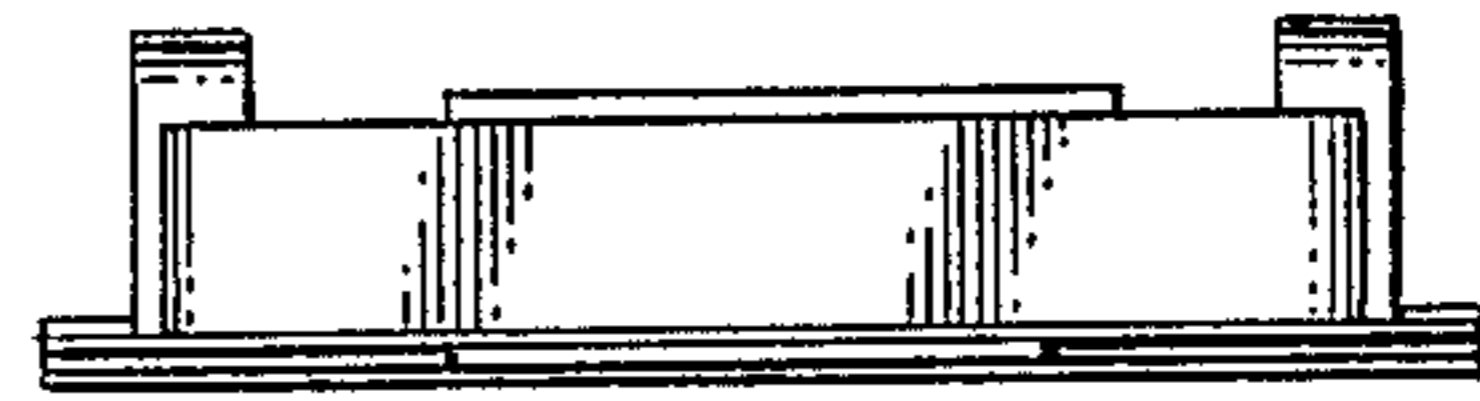


FIG. 5

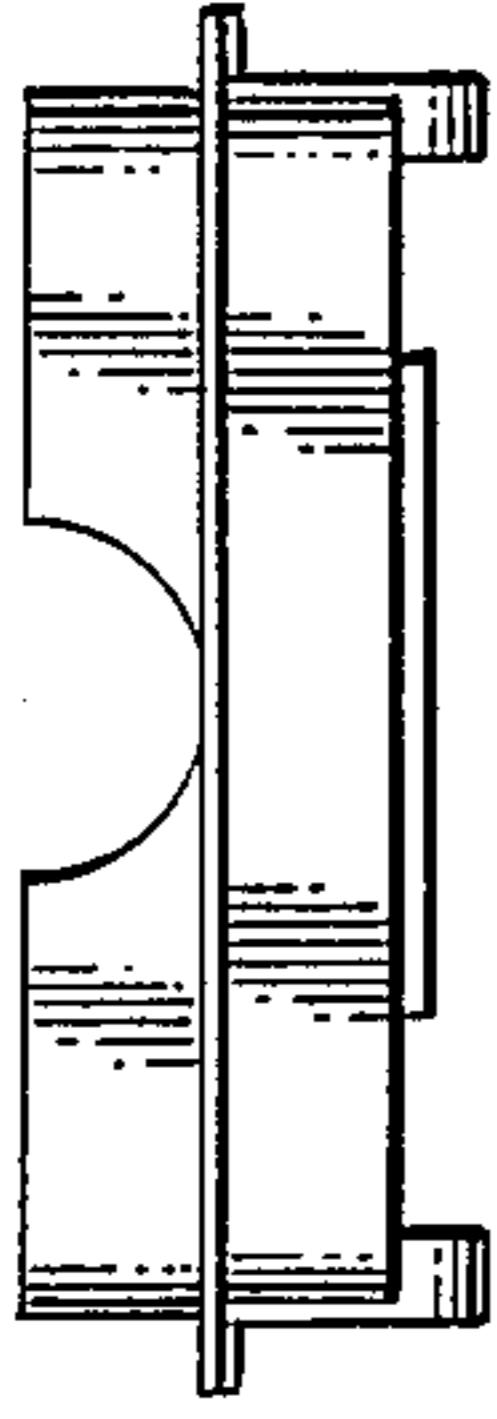


FIG. 9

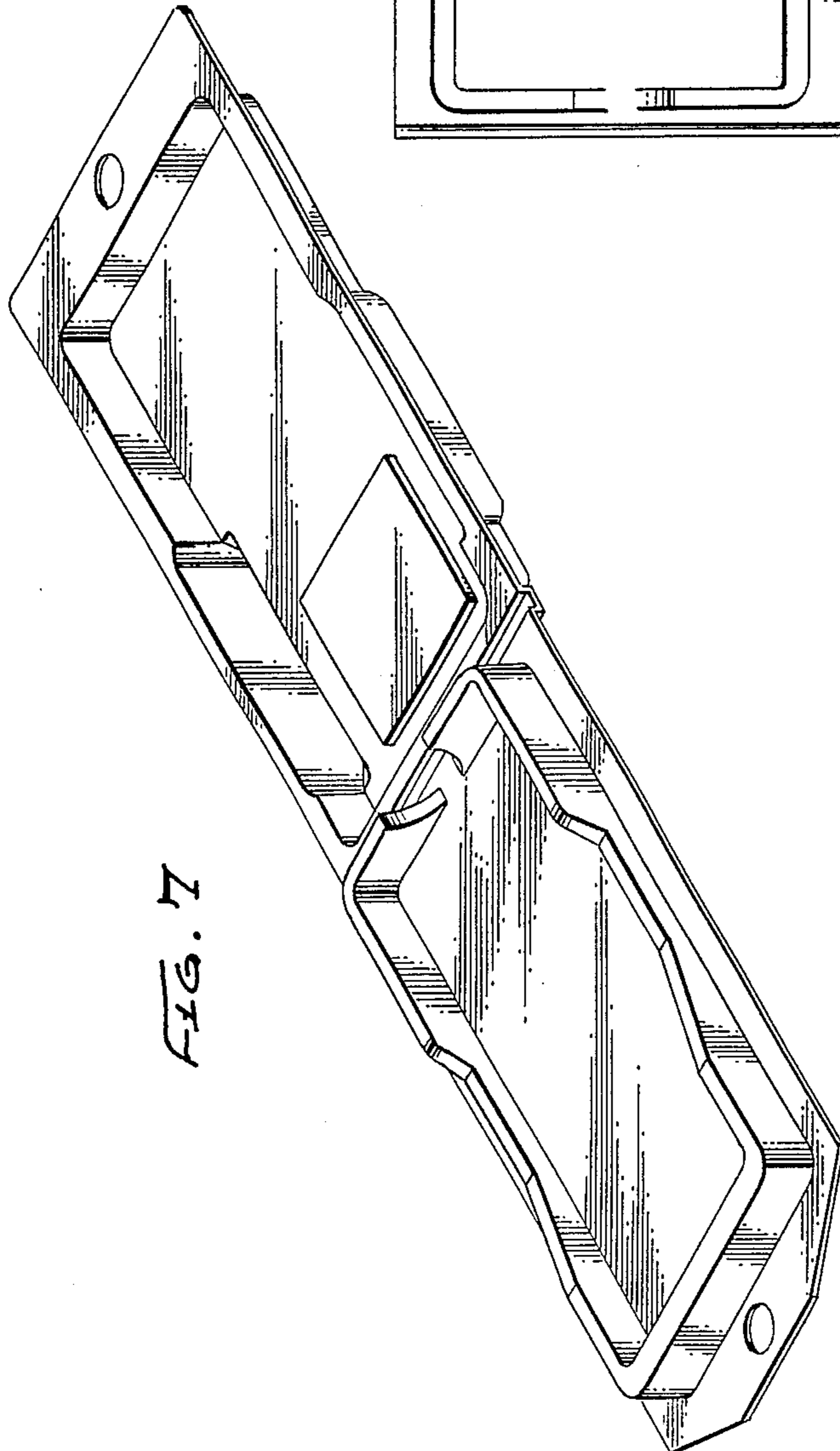
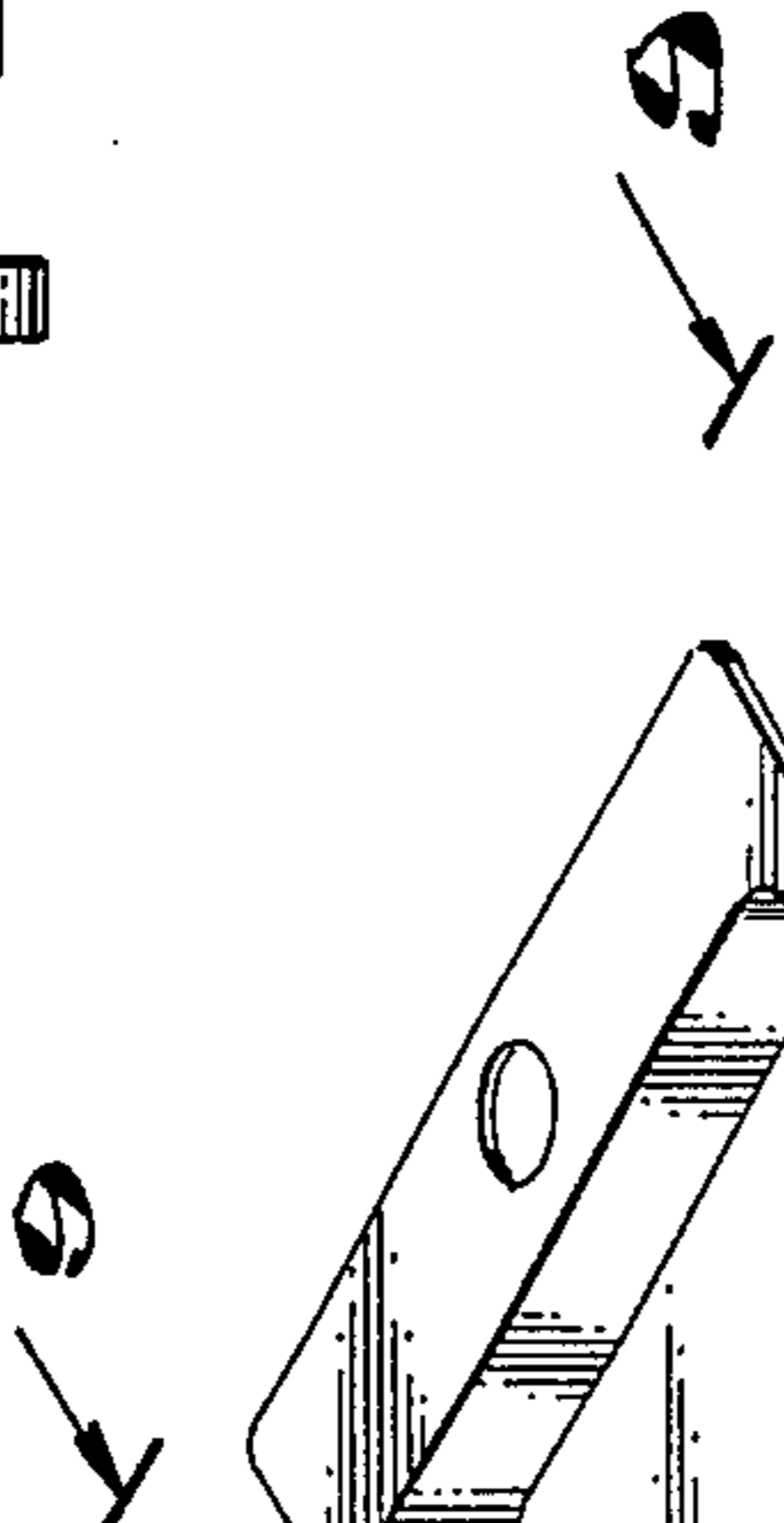


FIG. 7

FIG. 6

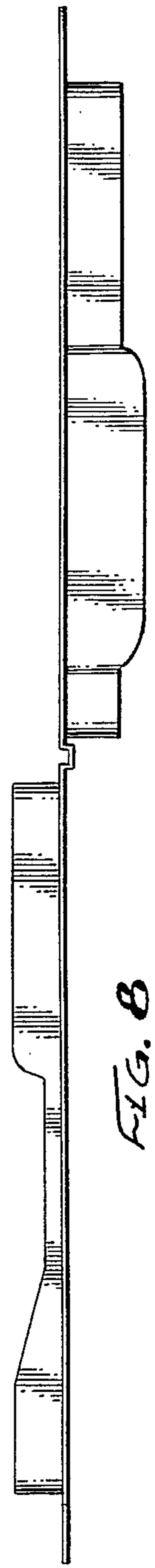
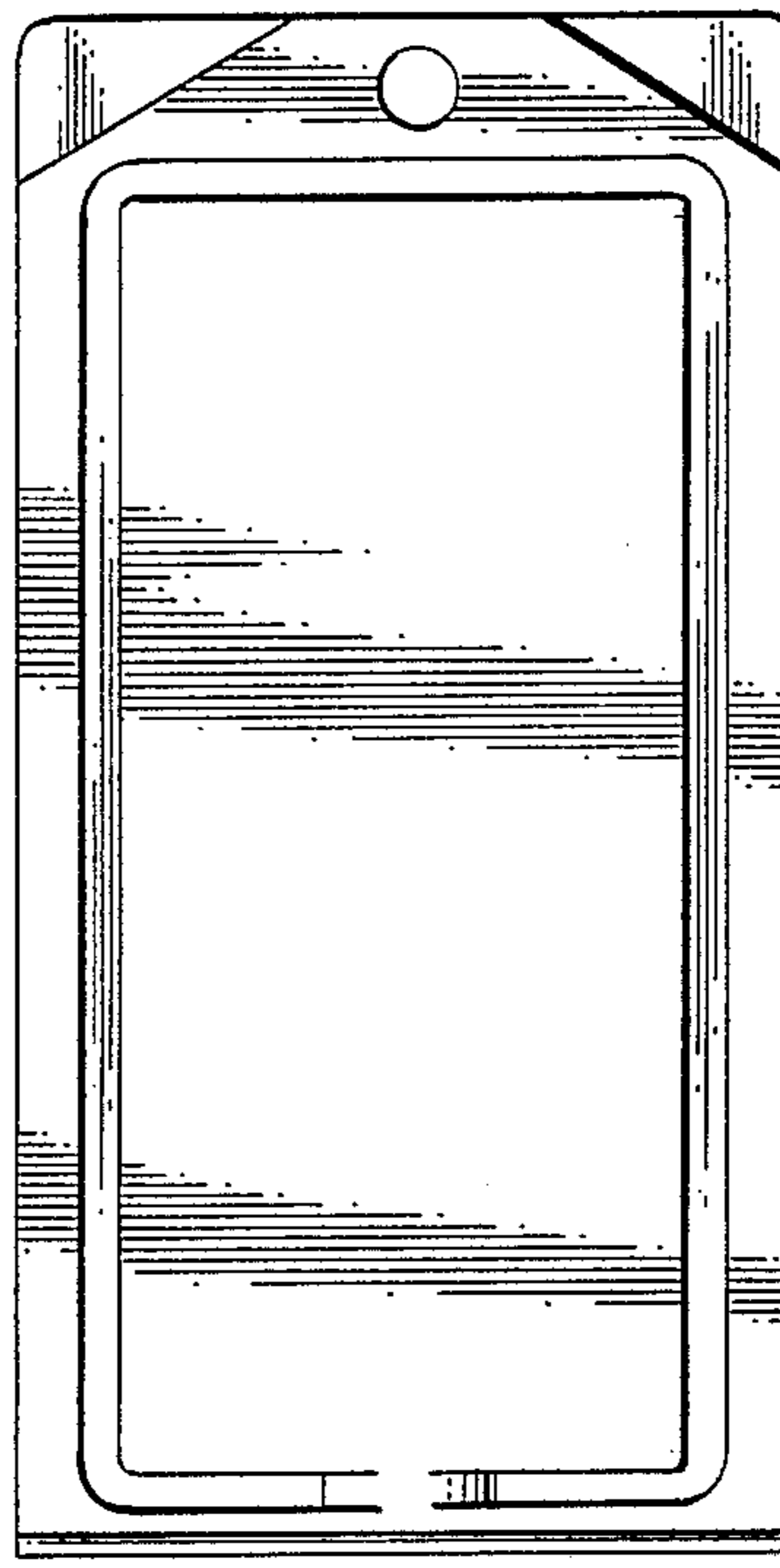


FIG. 8