

- [54] **BOTTLE**
- [75] **Inventor: Rajkumar S. Aggarwal, Fairport, N.Y.**
- [73] **Assignee: Manufacturers Hanover Trust Co., New York, N.Y.**
- [**] **Term: 14 Years**
- [21] **Appl. No.: 37,572**
- [22] **Filed: Apr. 13, 1987**
- [52] **U.S. Cl. D9/387; D9/401**
- [58] **Field of Search D9/349, 351, 367, 387, D9/403, 404, 412, 401; 215/1 C**

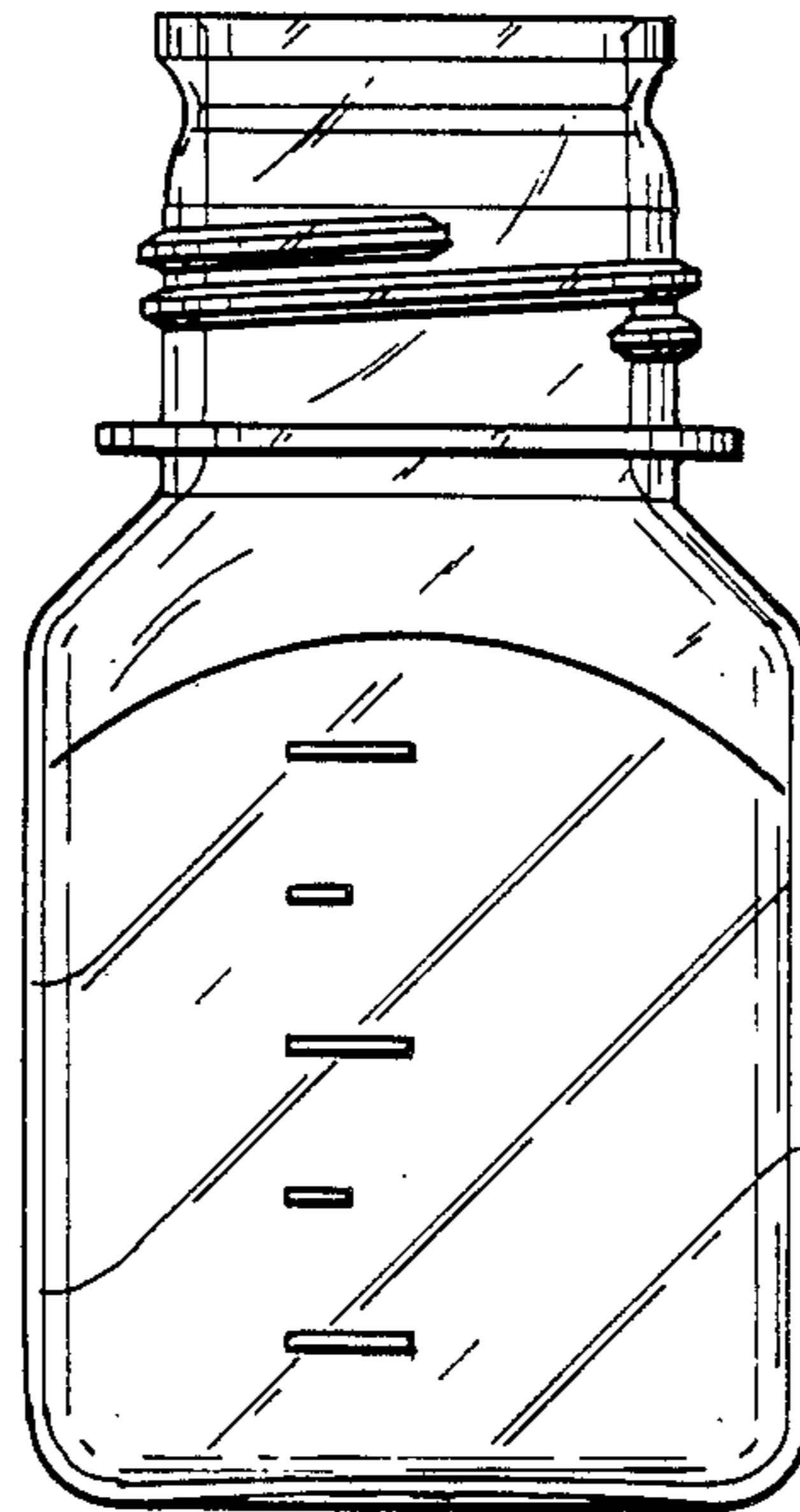
- [56] **References Cited**
U.S. PATENT DOCUMENTS
D. 246,574 12/1977 Meierhoefer D9/387

OTHER PUBLICATIONS
Drug & Cosmetic Industry Aug. 1977 p. 59 white plastic bottle at bottom left.

Drug & Cosmetic Industry Apr. 1987 p. 70, clear square bottles at top right.
Owens-Illinois Glass Company Catalog 1931 bottle at top left.
Drug & Cosmetic Industry Feb. 1983 p. 67.
Primary Examiner—B. J. Bullock
Assistant Examiner—Sandra Morris
Attorney, Agent, or Firm—Marjama & Pincelli

[57] **CLAIM**
The ornamental design for a bottle, as shown and described.

DESCRIPTION
FIG. 1 is a front elevational view of a bottle, showing my new design;
FIG. 2 is side elevational view thereof;
FIG. 3 is a top plan view thereof;
FIG. 4 is a bottom plan view thereof;
FIG. 5 is a front elevational view of a second embodiment;
FIG. 6 is a top plan view of FIG. 5;
FIG. 7 is a side elevational view of FIG. 5; and
FIG. 8 is a bottom plan view of FIG. 5.



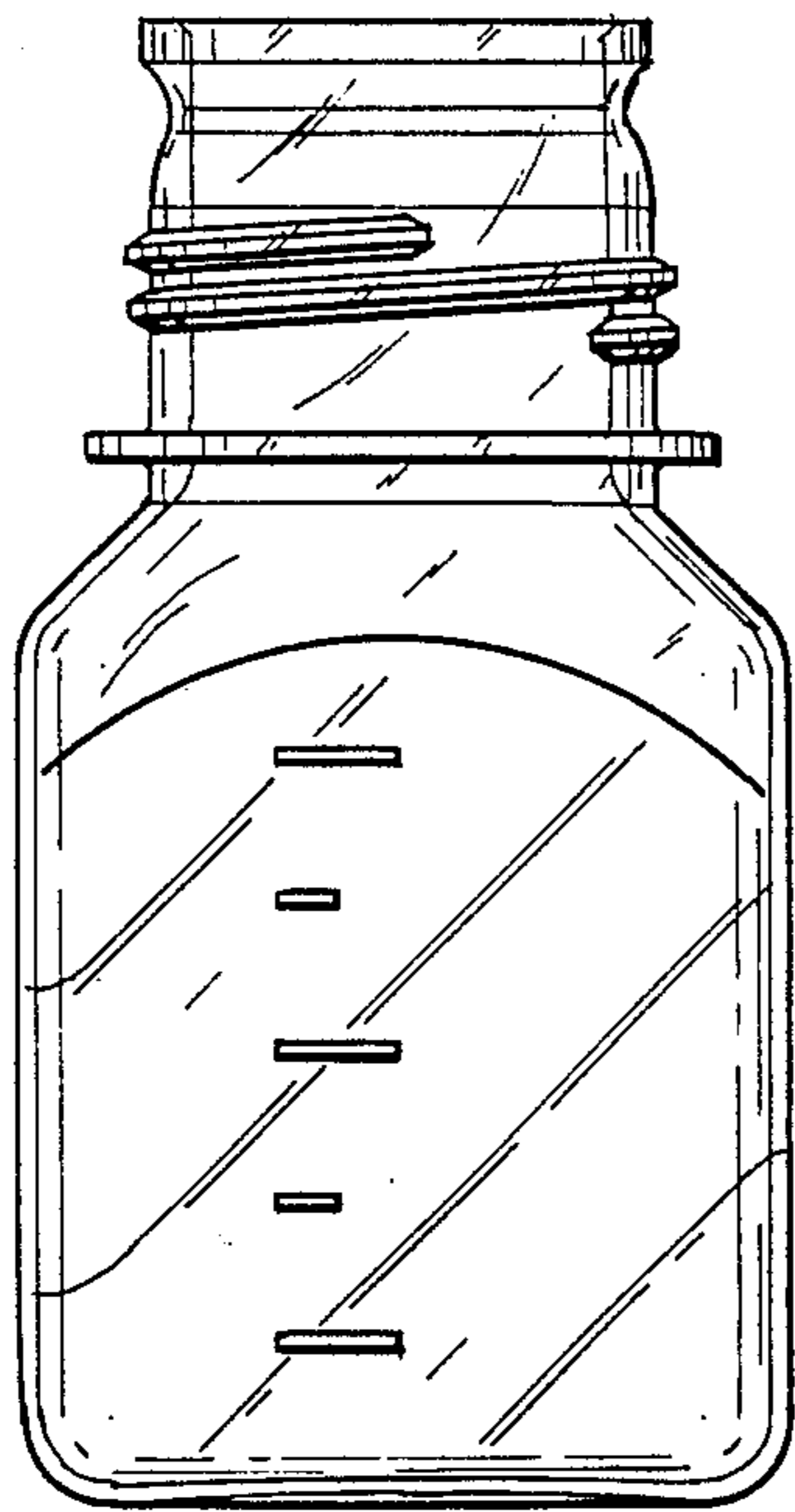


FIG. 1

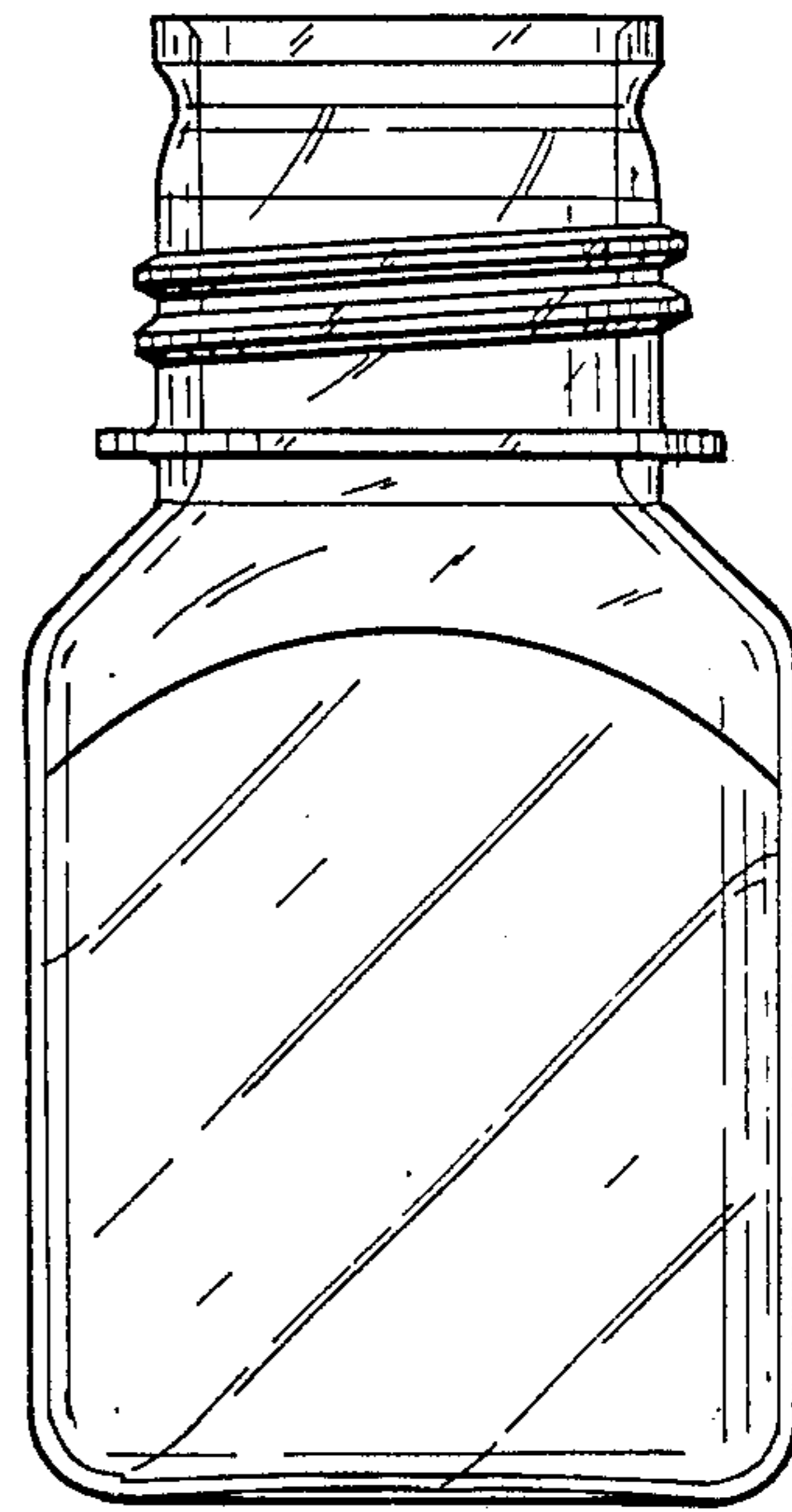


FIG. 2

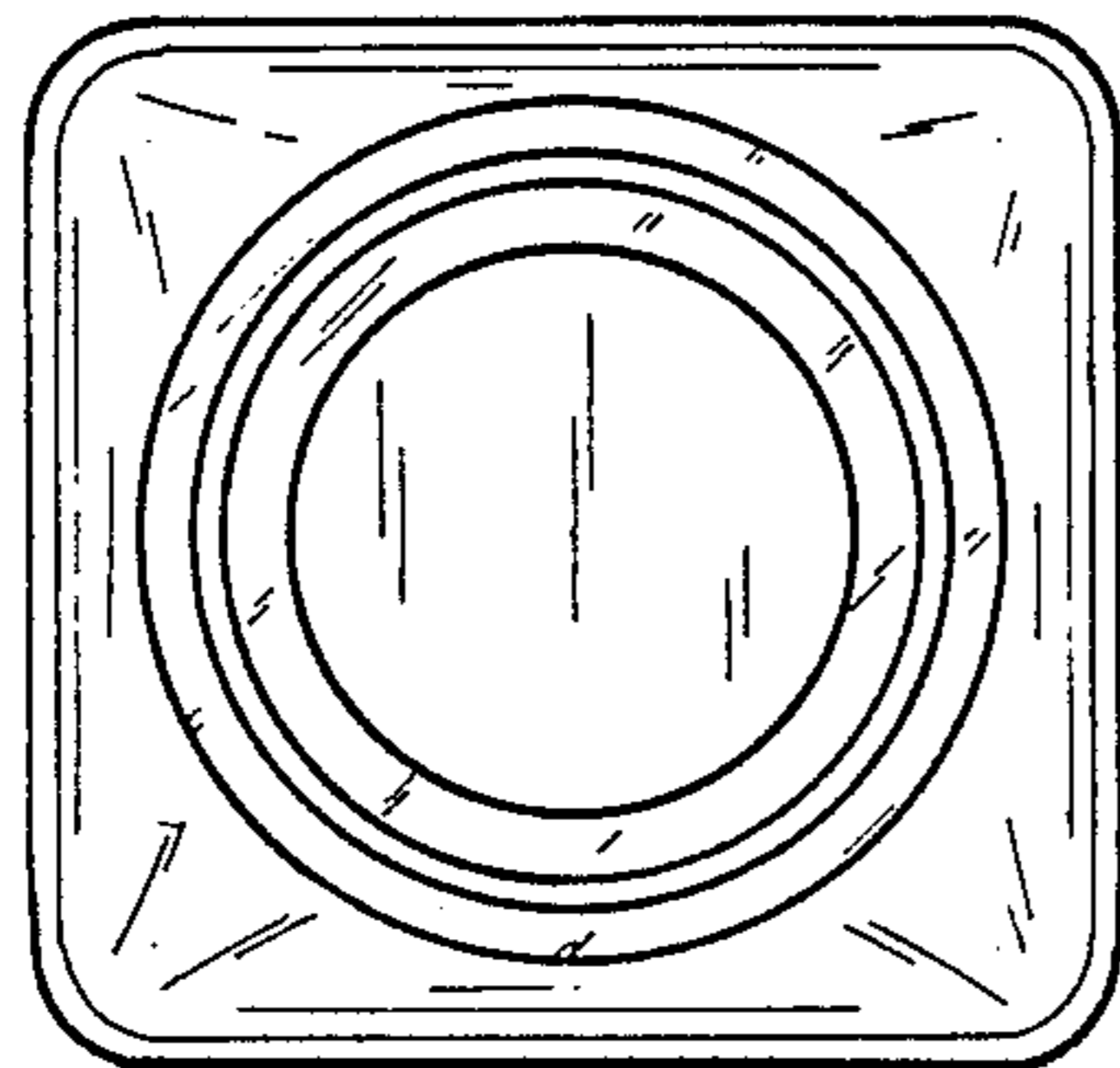


FIG. 3

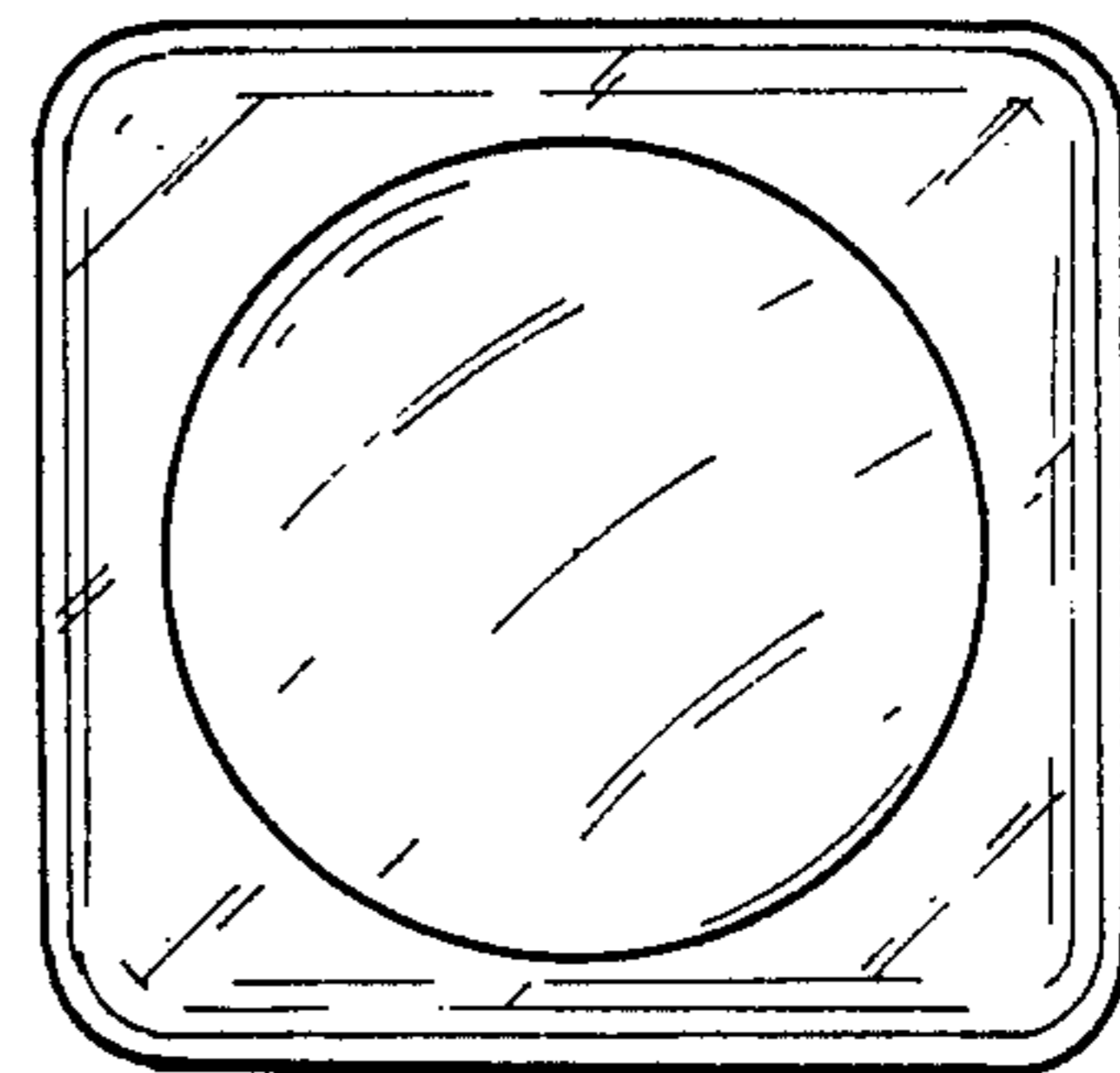


FIG. 4

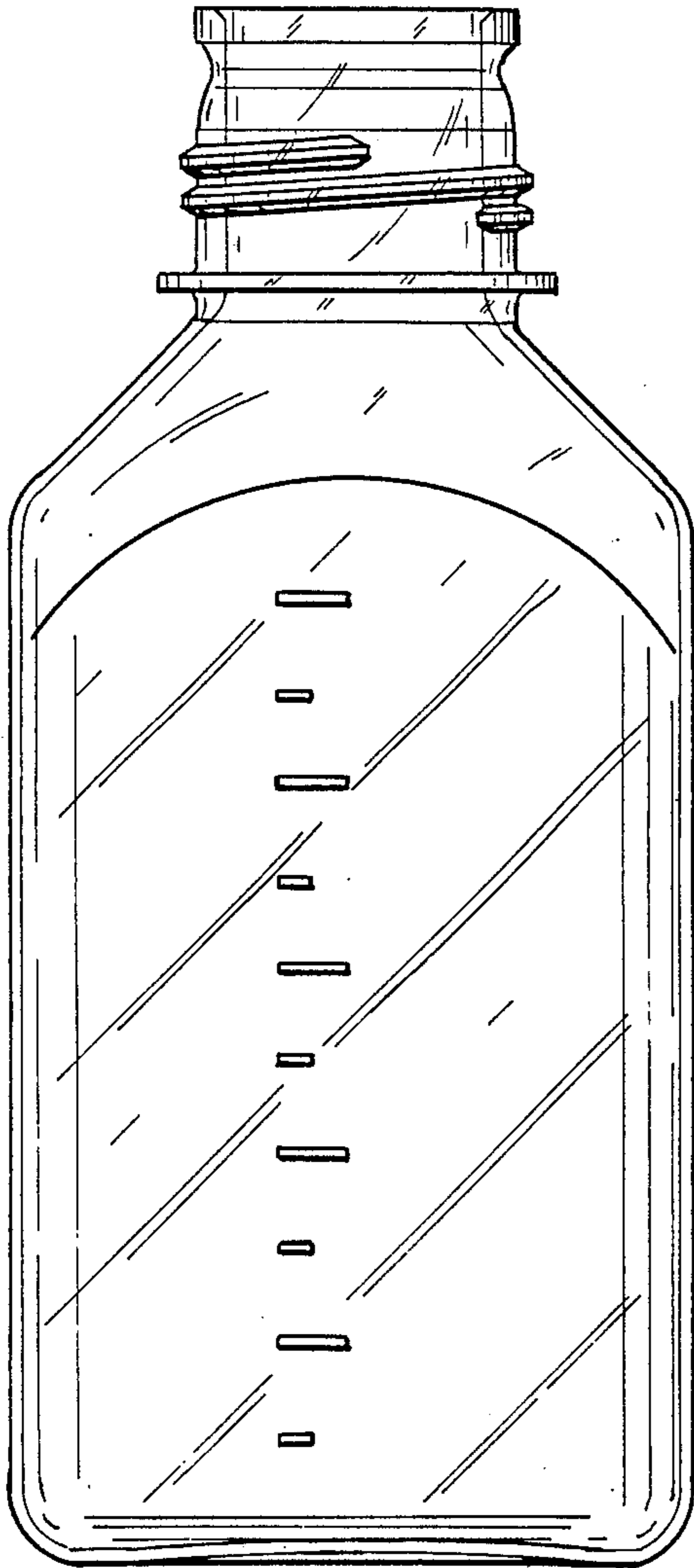


FIG. 5

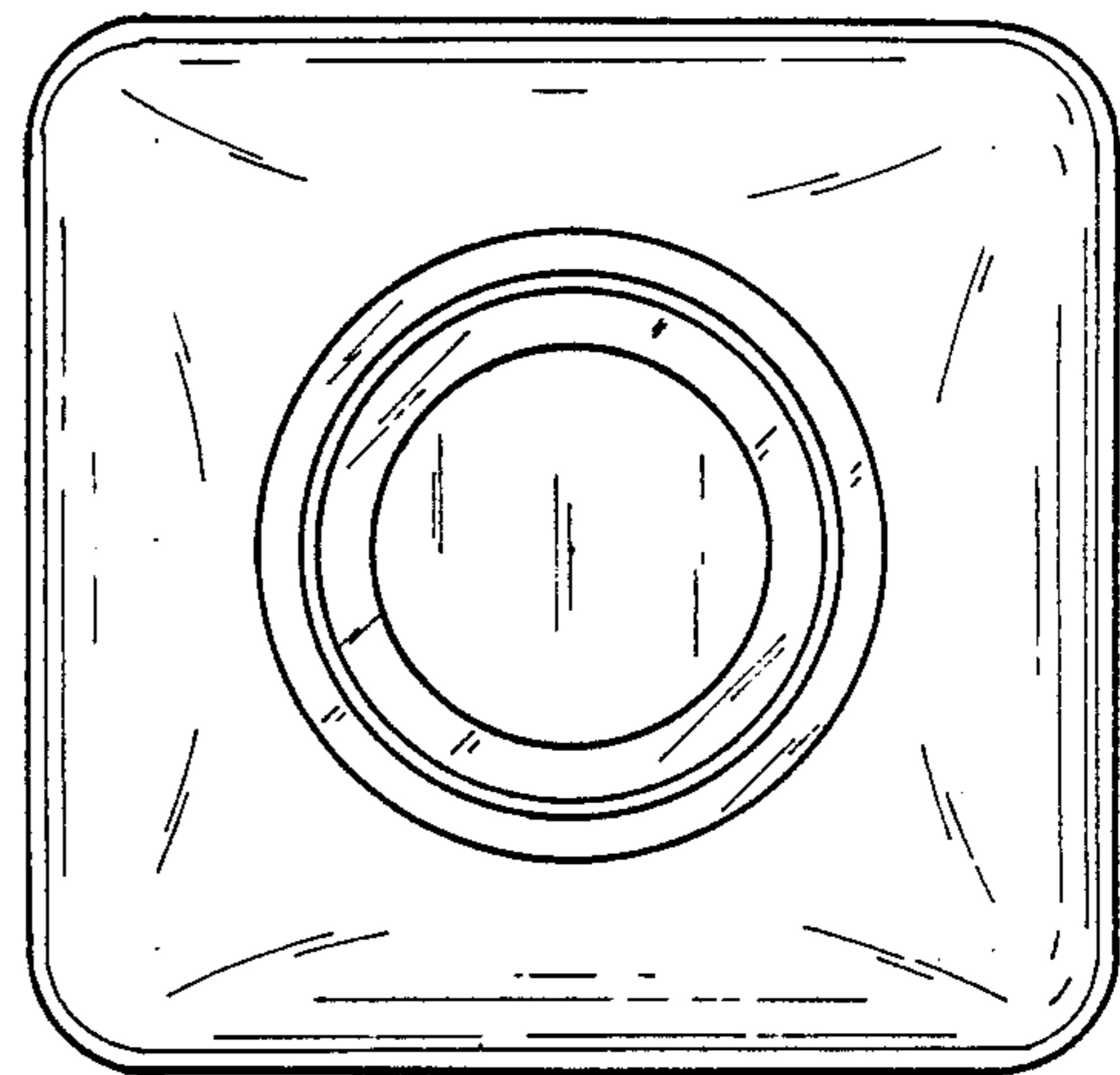


FIG. 6

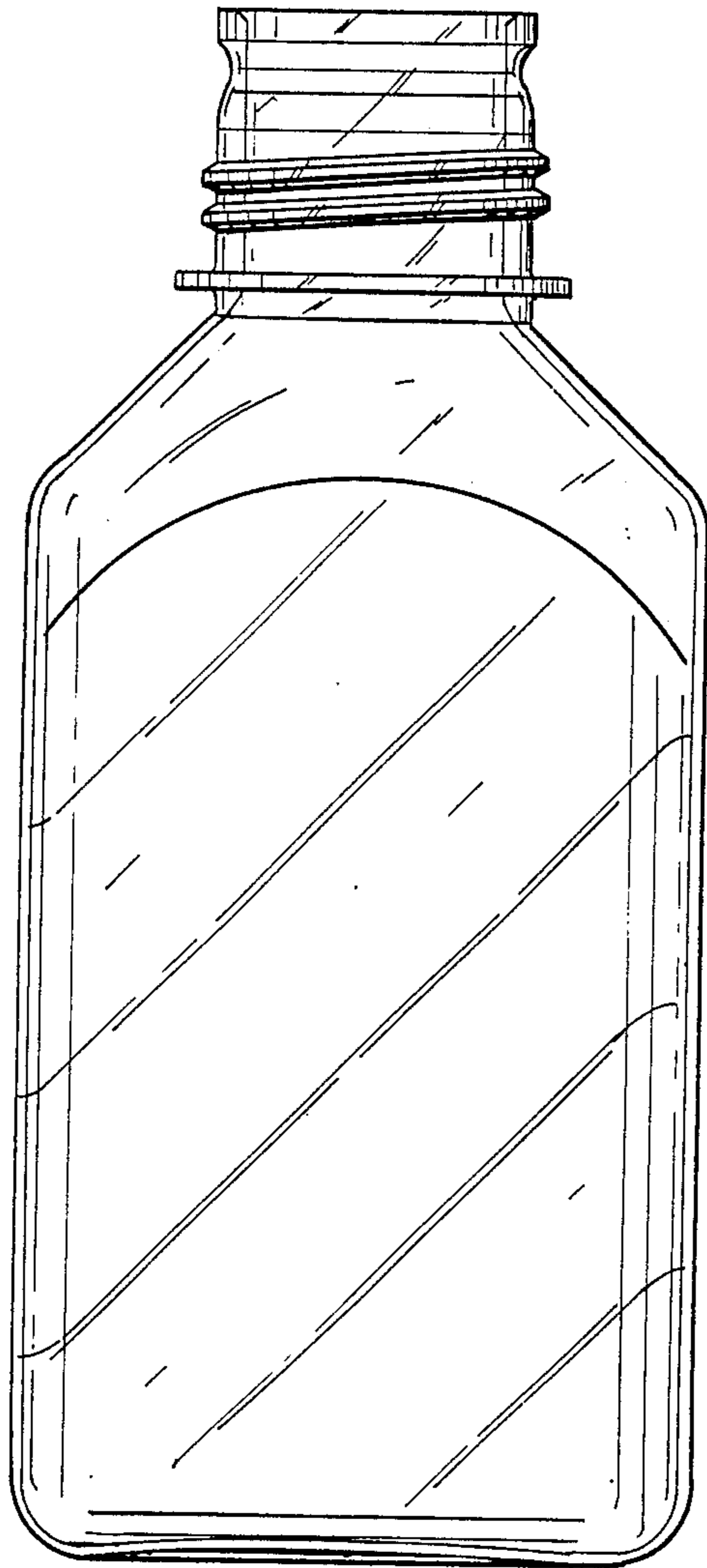


FIG. 7

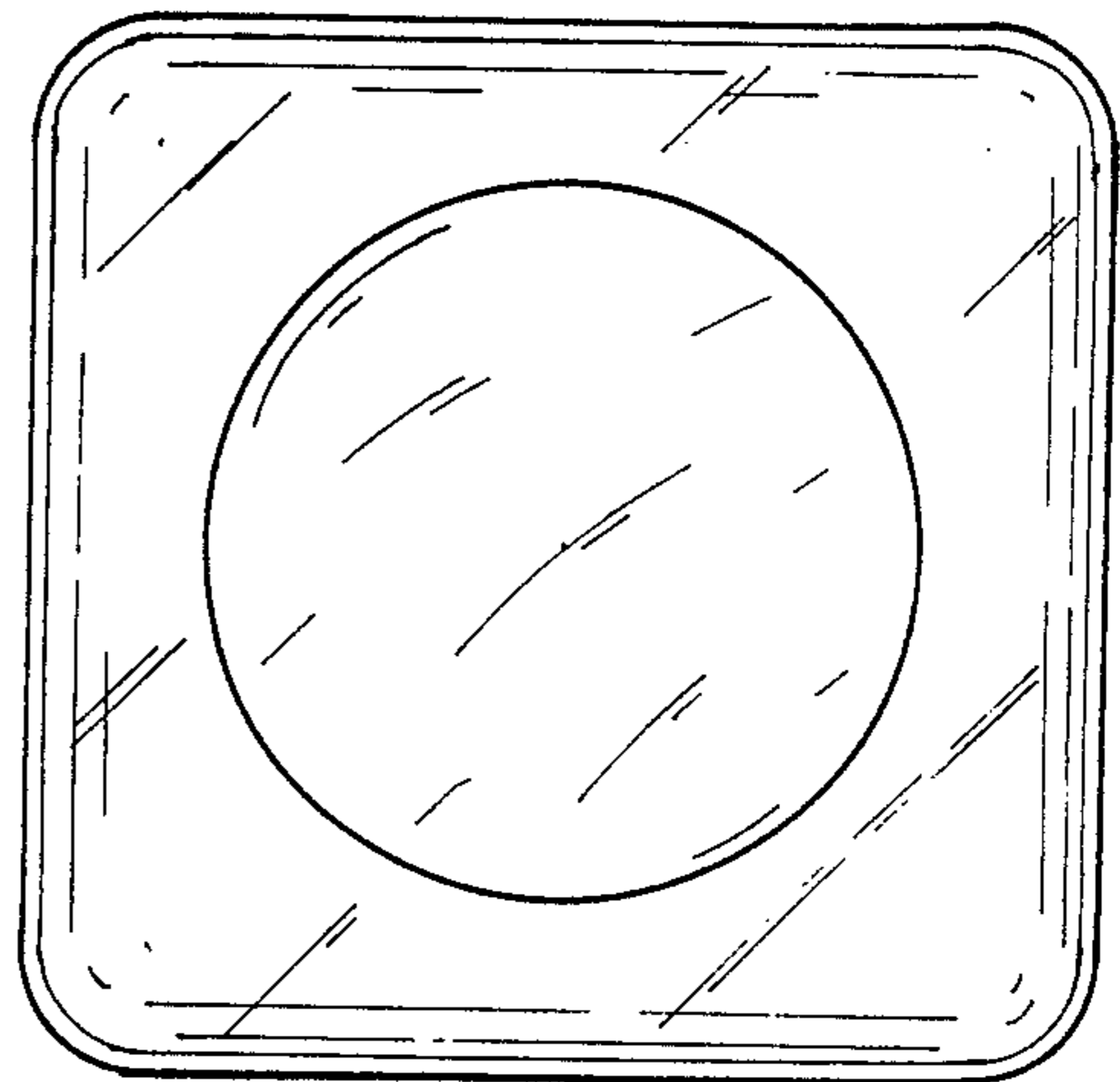


FIG. 8