

[54] HOLDER FOR OXYGENATOR BOTTLE

[76] Inventor: George R. Morris, 2031 Webb St., Stockton, Calif. 95205

[**] Term: 14 Years

[21] Appl. No.: 389,934

[22] Filed: Aug. 7, 1989

[52] U.S. Cl. D8/373; 248/318

[58] Field of Search D8/373, 382; 248/318, 248/311-313; D23/200, 206

[56] References Cited

U.S. PATENT DOCUMENTS

D. 26,356	12/1896	Smith	D8/382
2,448,563	9/1948	Wetzel	248/318
3,366,360	1/1968	Burke	248/318
3,395,882	8/1968	Marshall	248/318
3,556,453	1/1971	Hall	248/318
3,966,160	6/1976	Wilson	248/311.3
4,005,844	2/1977	Richmond	248/318
4,022,416	5/1977	Kaye et al.	248/318
4,044,983	8/1977	Francis	248/311.3 X

FOREIGN PATENT DOCUMENTS

521890 8/1953 Belgium 248/318

OTHER PUBLICATIONS

Pro.Med Products Uni-Caddy I: Single Sheet Flyer, ©1984.

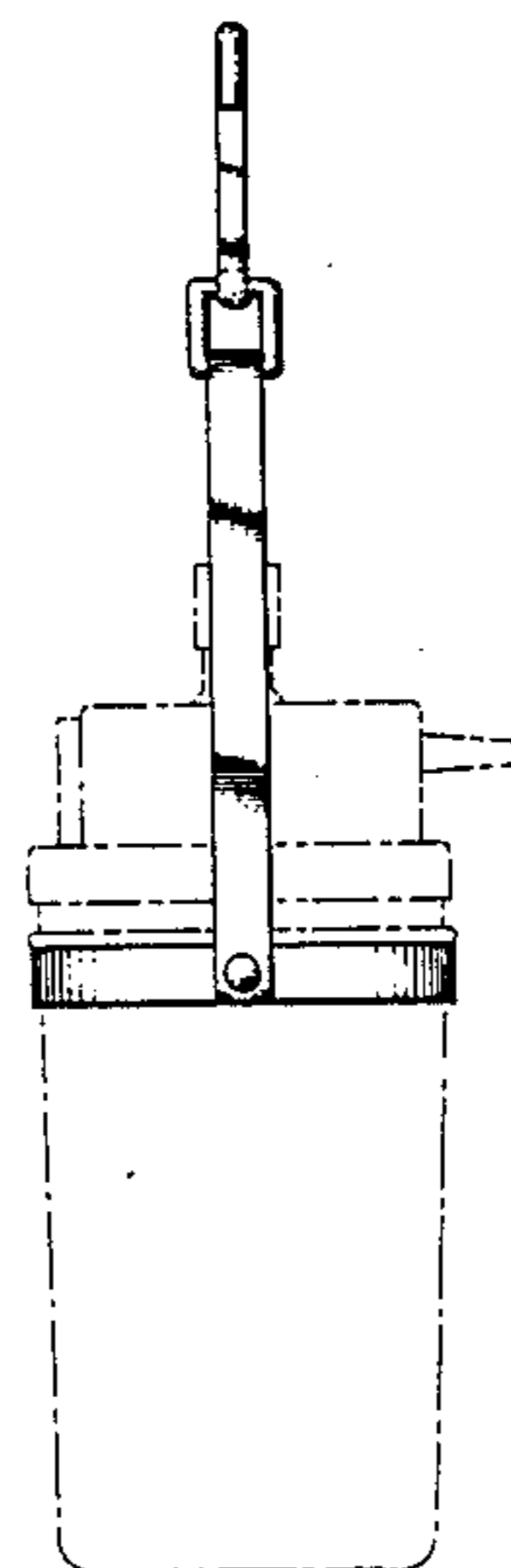
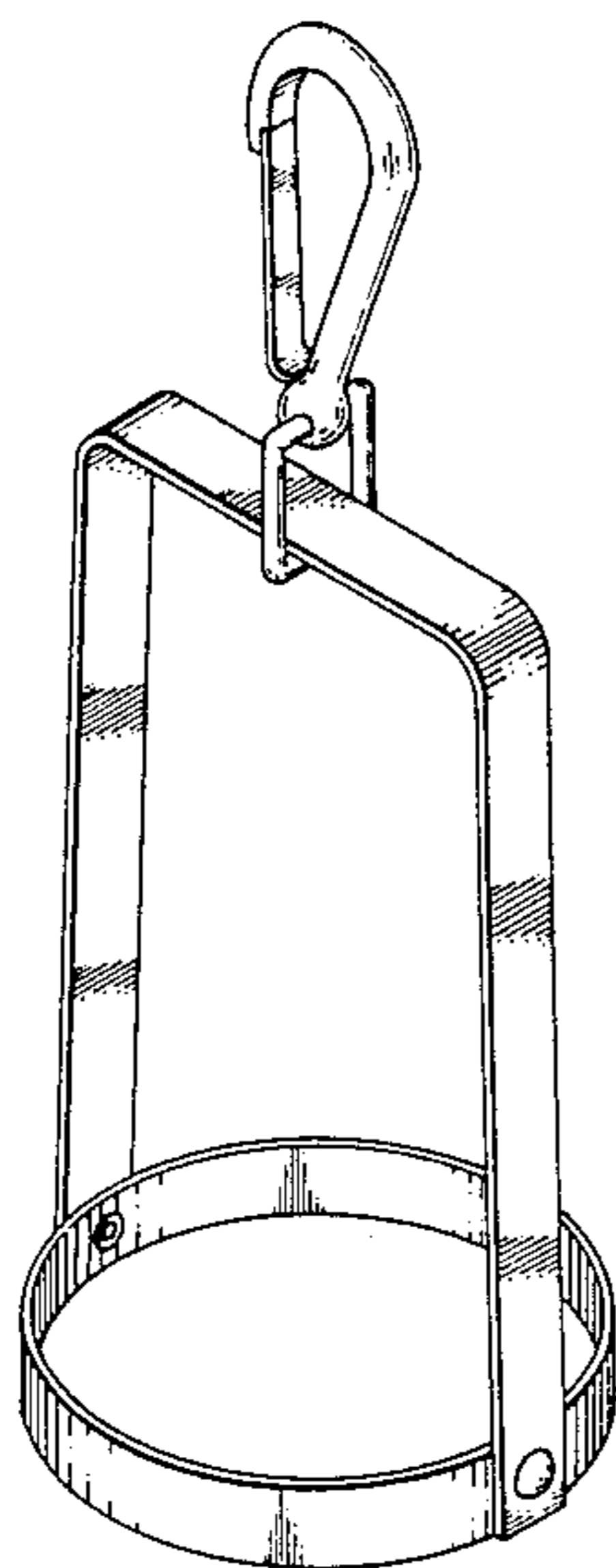
Primary Examiner—Horace B. Fay, Jr.

[57] CLAIM

The ornamental design for a holder for oxygenator bottle, as shown and described.

DESCRIPTION

FIG. 1 is a perspective view of a holder for oxygenator bottle, showing my new design;
 FIG. 2 is a front elevational view, the rear elevational view being substantially a mirror image, thereof;
 FIG. 3 is an elevational view of one side, thereof;
 FIG. 4 is an elevational view of the other side, thereof;
 FIG. 5 is a top plan view, thereof;
 FIG. 6 is a bottom plan view, thereof; and,
 FIG. 7 is an elevational view, as in FIG. 3, but including in broken line the outline of an oxygenator bottle forming no part of the claimed invention and included solely for illustrative purposes.



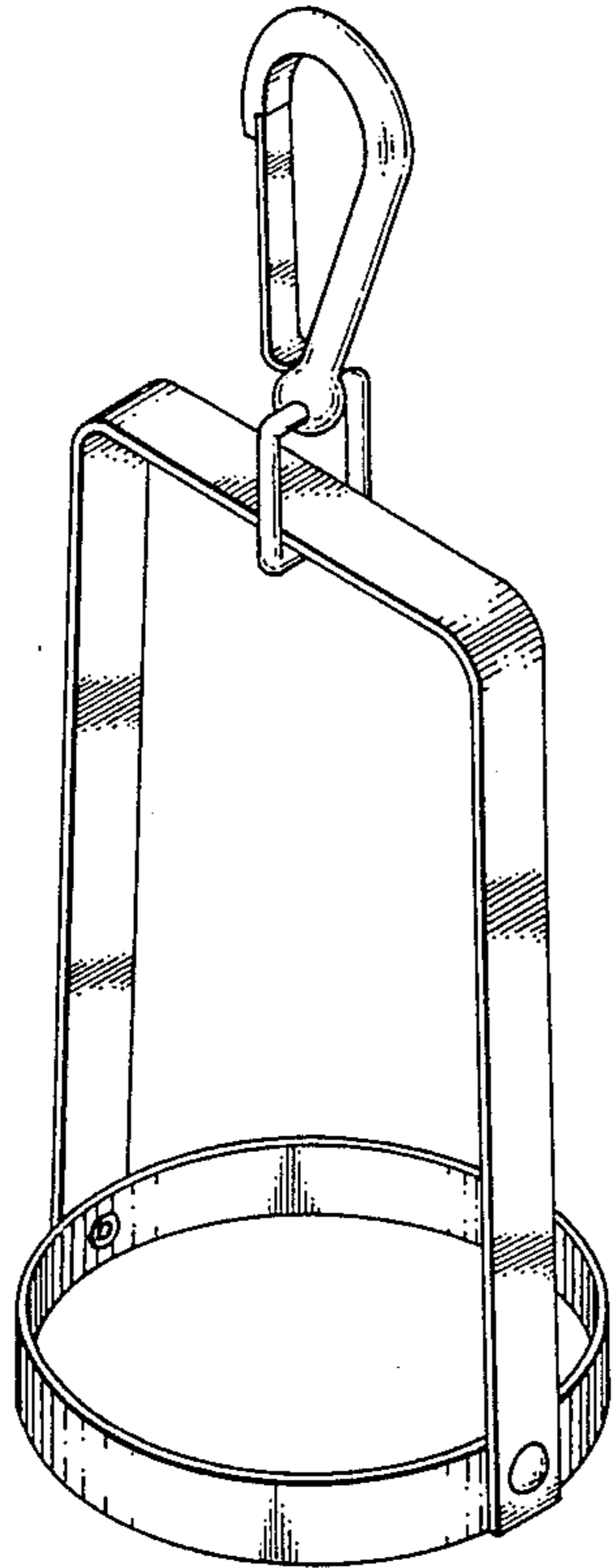


FIG. 1.

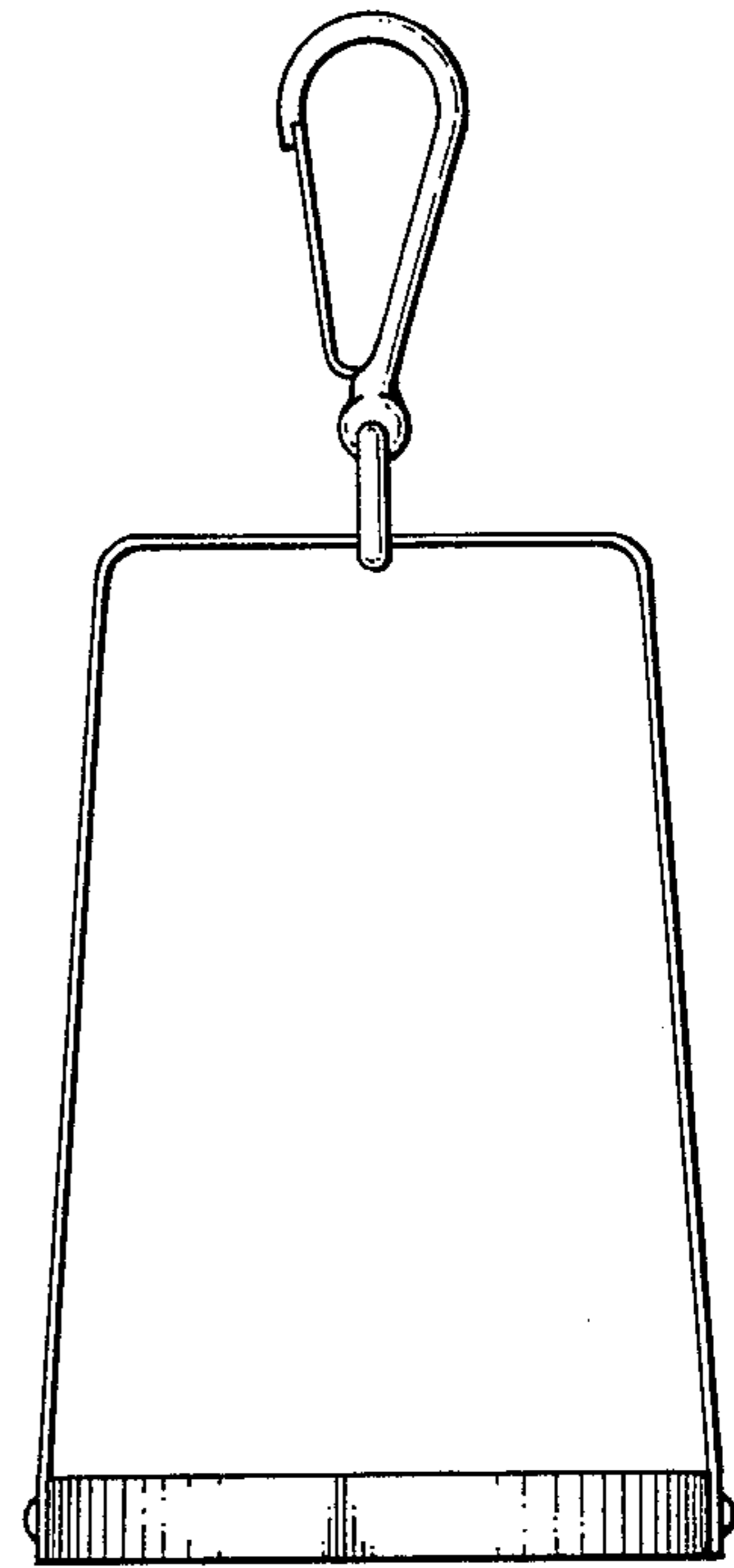


FIG. 2.

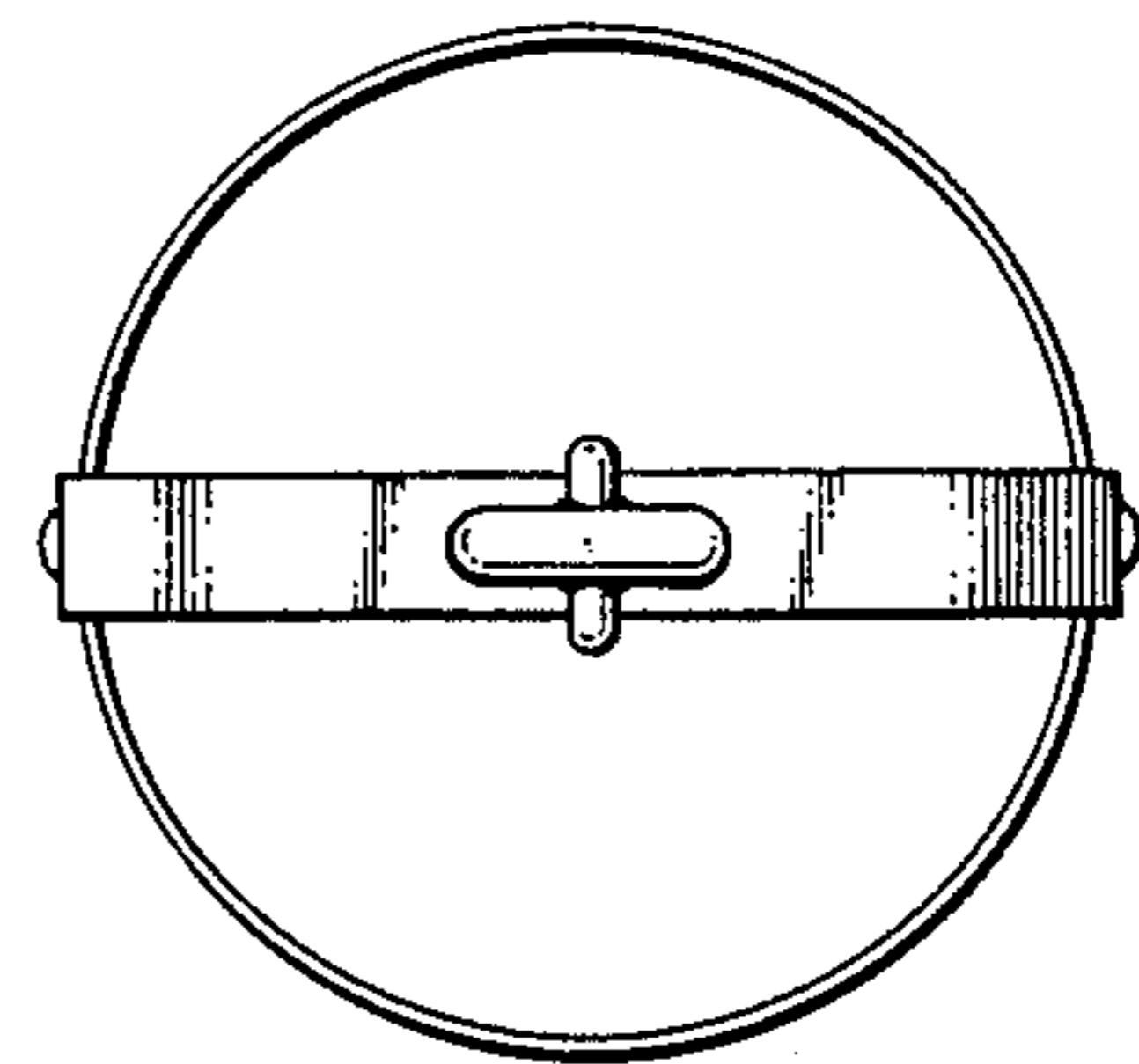


FIG. 5.

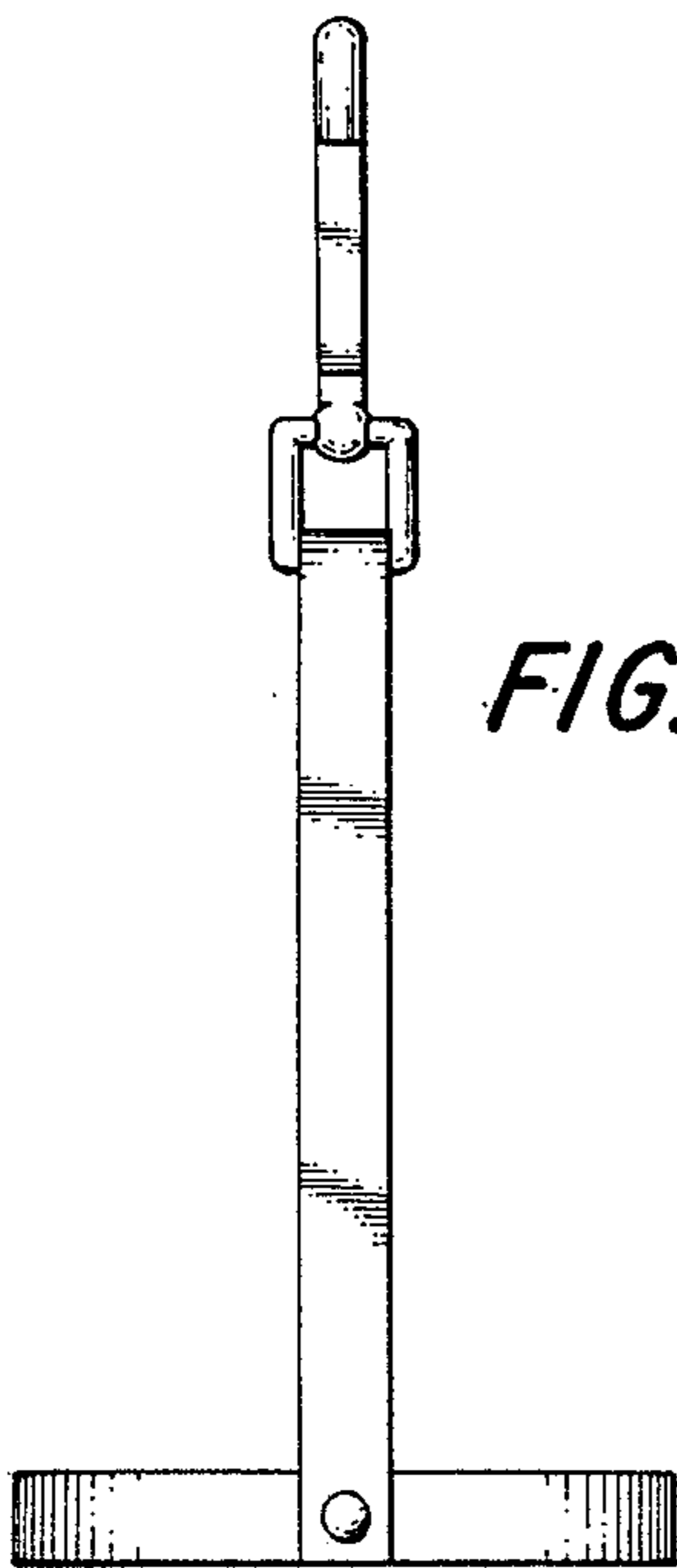


FIG. 3.

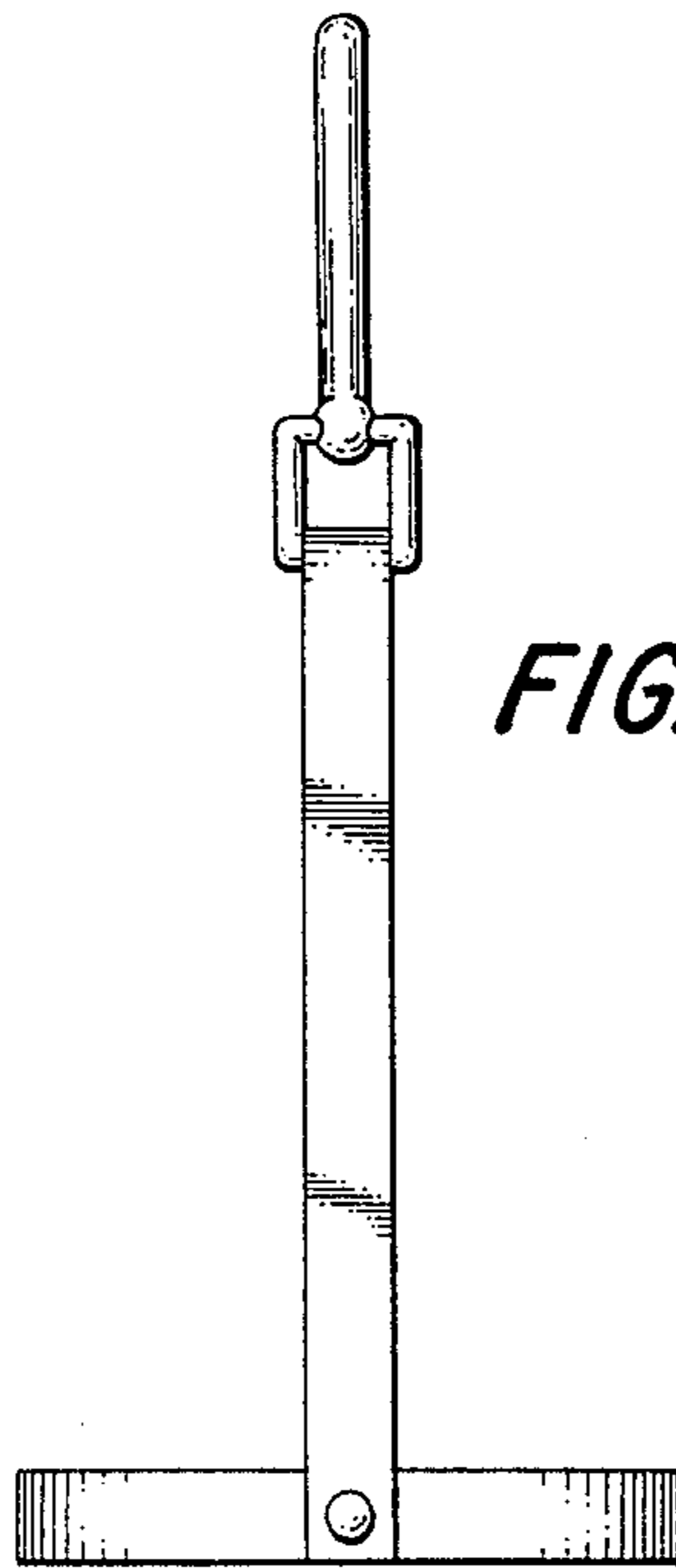


FIG. 4.

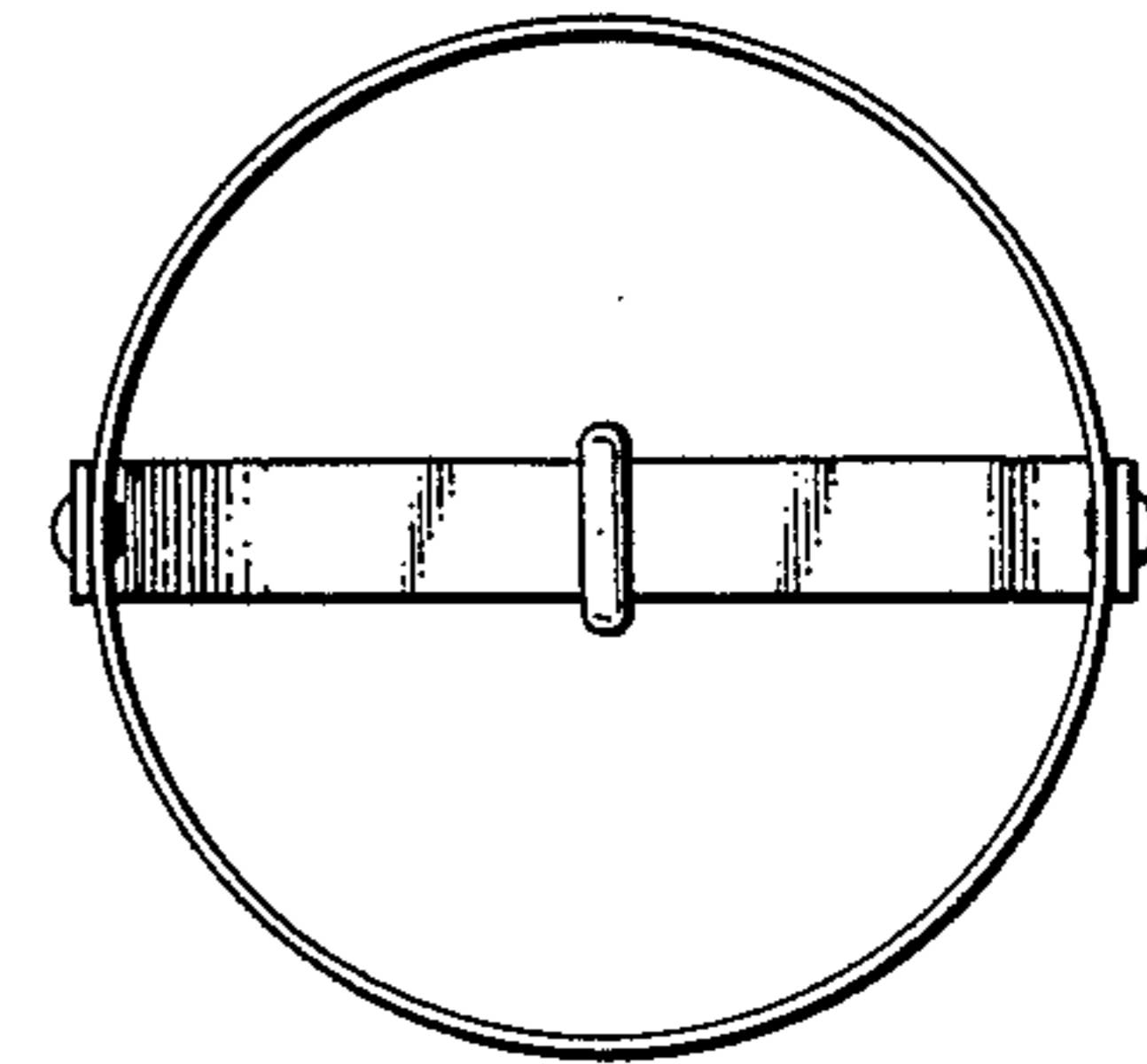


FIG. 6.

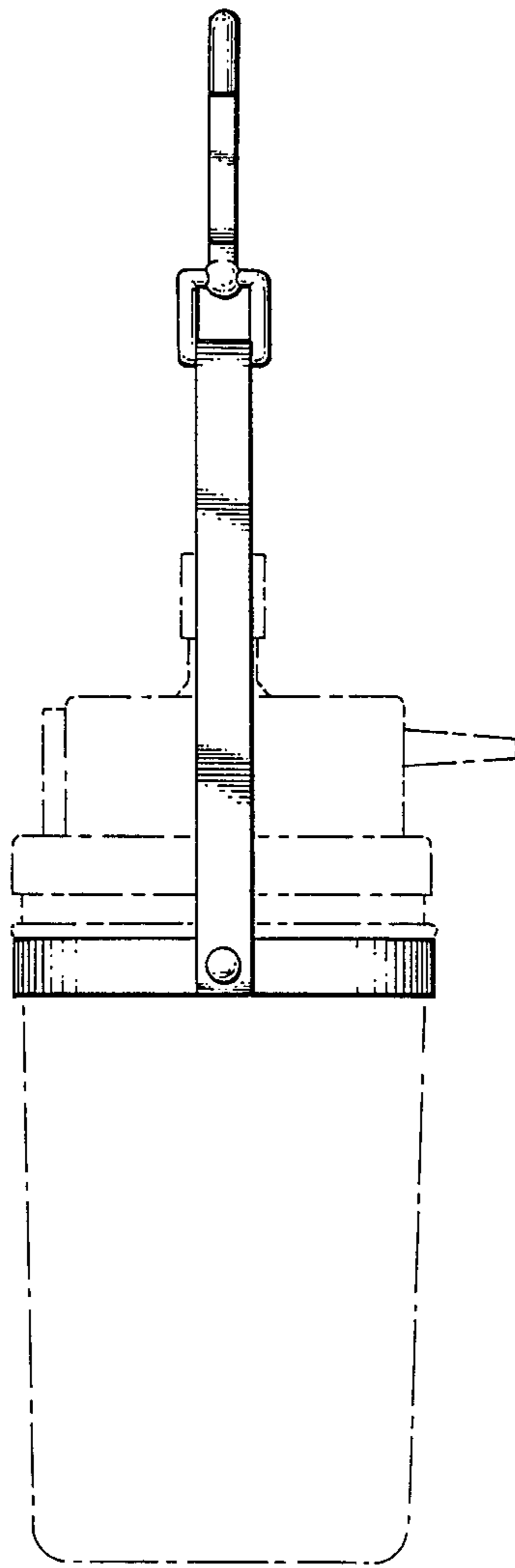


FIG. 7.