

[54] **PUTTY HOLDER**  
[76] **Inventor: Donald R. Johnson, 2800 21st Pl., Vero Beach, Fla. 32960**  
[\*\*] **Term: 14 Years**  
[21] **Appl. No.: 69,883**  
[22] **Filed: Jul. 6, 1987**  
[52] **U.S. Cl. .... D8/71**  
[58] **Field of Search ..... D8/45, 71, 380, 373; D32/74, 53.1, 54; 248/238, 231.8; D6/512, 513, 553, 567, 574**

2,887,705 5/1959 Serwer ..... 15/121.3  
2,905,371 9/1959 Huff ..... 229/34  
3,145,848 8/1964 Wood ..... 211/88

*Primary Examiner*—Winifred E. Herrmann  
*Assistant Examiner*—John Warchol  
*Attorney, Agent, or Firm*—Oltman and Flynn

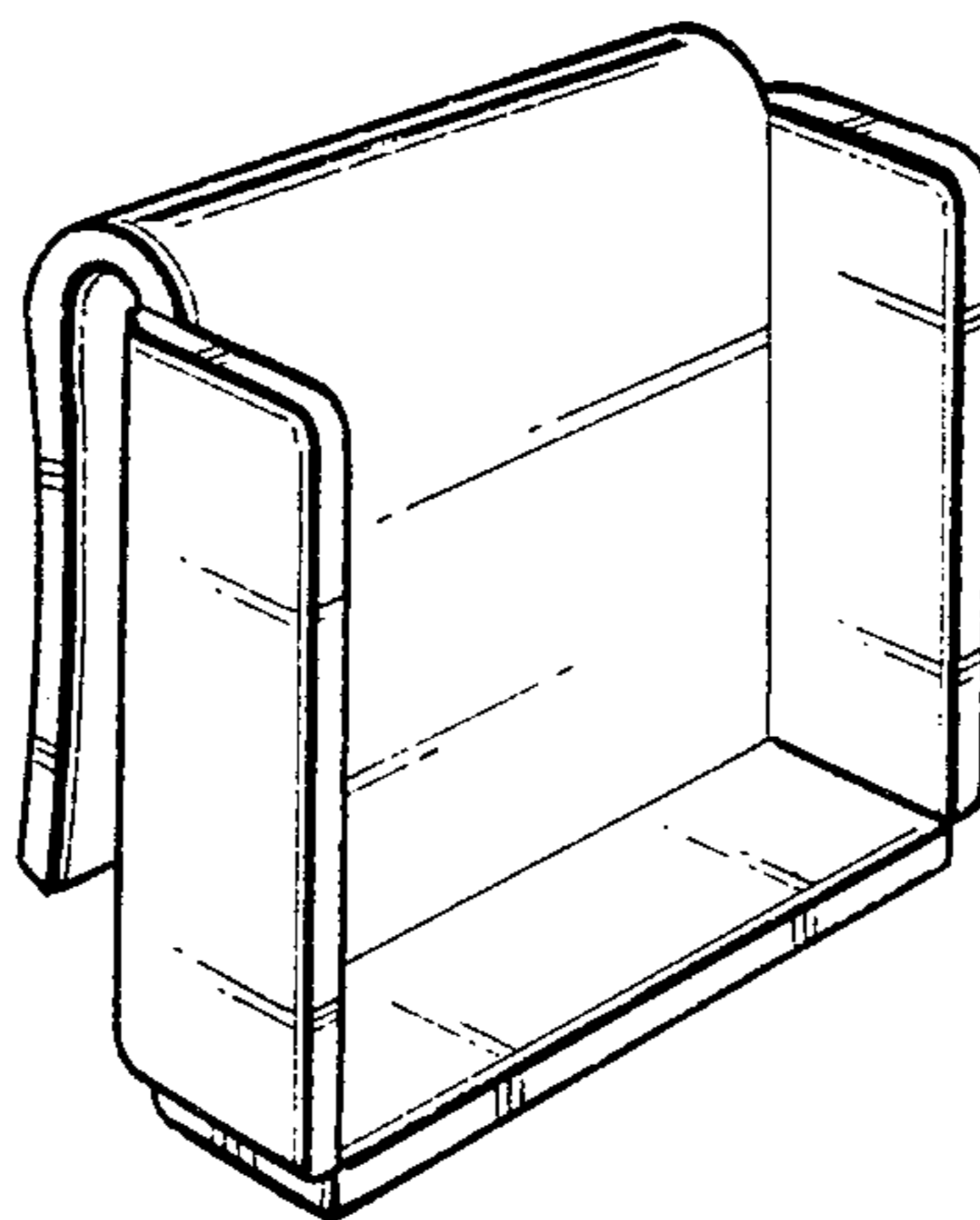
[57] **CLAIM**

The ornamental design for a putty holder, as shown.

**DESCRIPTION**

FIG. 1 is a front elevational view of a putty holder showing my new design;  
FIG. 2 is a left side elevational view thereof.  
FIG. 3 is a right side elevational view thereof.  
FIG. 4 is a rear elevational view thereof;  
FIG. 5 is a bottom plan view thereof;  
FIG. 6 is a top plan view thereof; and  
FIG. 7 is a top, front and left side perspective view thereof.

[56] **References Cited**  
**U.S. PATENT DOCUMENTS**  
D. 210,638 3/1968 Greenfield ..... D8/71  
D. 228,588 10/1973 Gruden ..... D8/71  
D. 278,512 4/1985 Lojko ..... D8/71  
1,776,134 9/1930 Scruby et al. .... 206/44 R



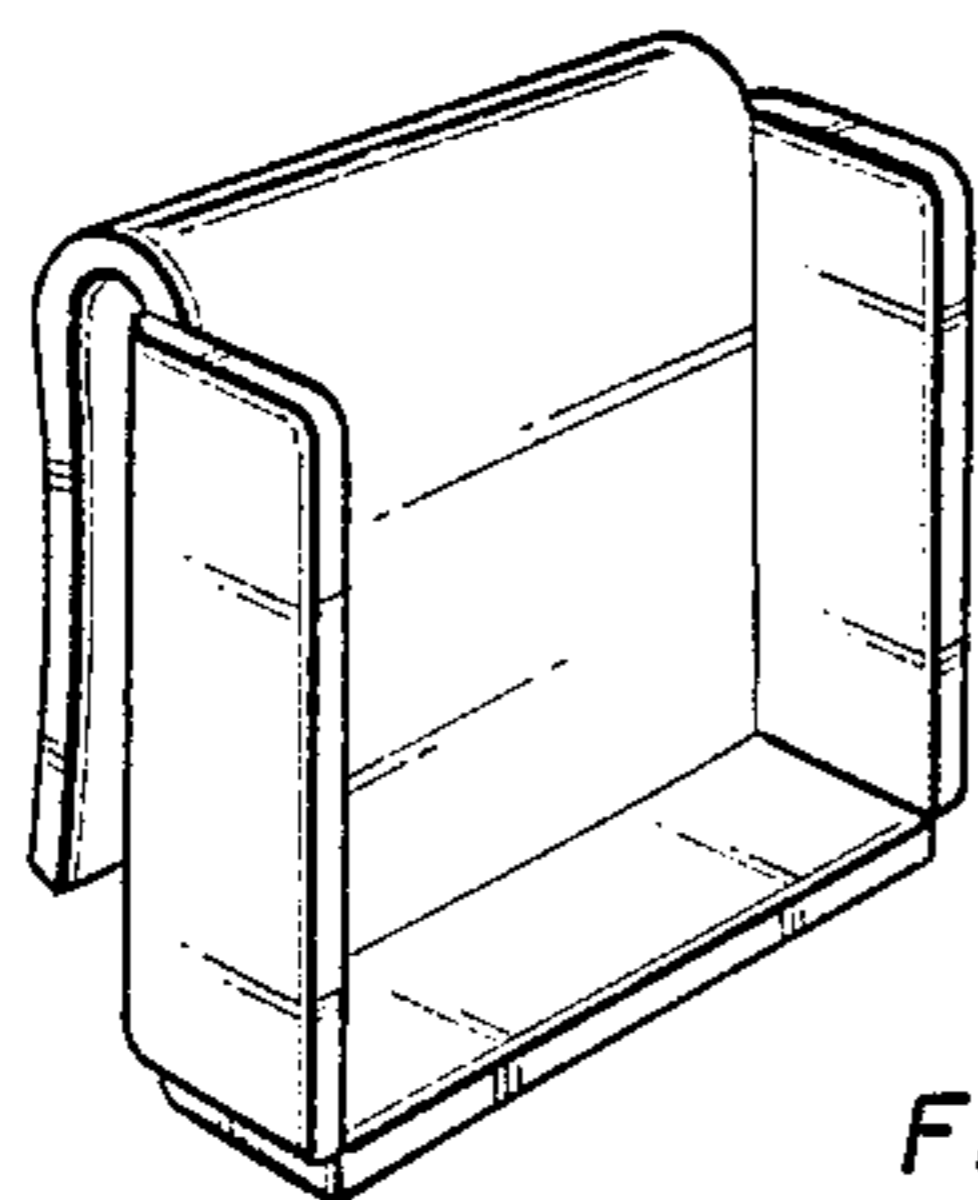


FIG. 7

FIG. 6

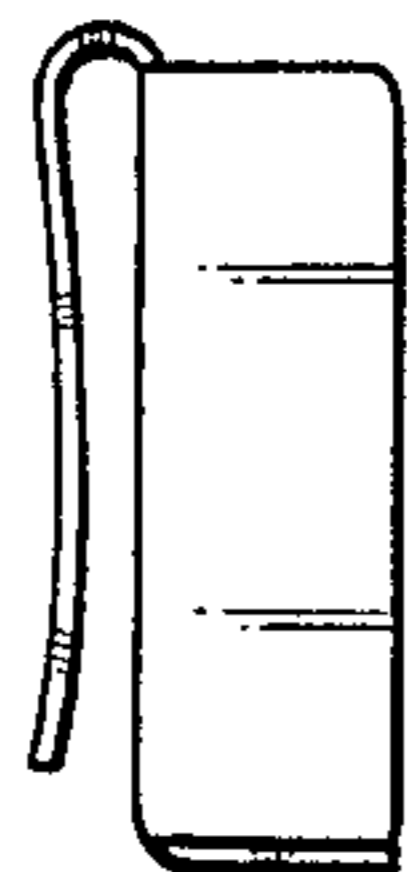
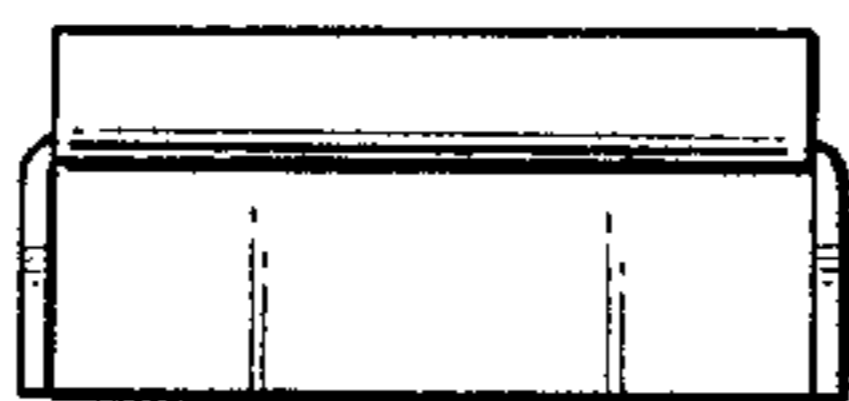


FIG. 2

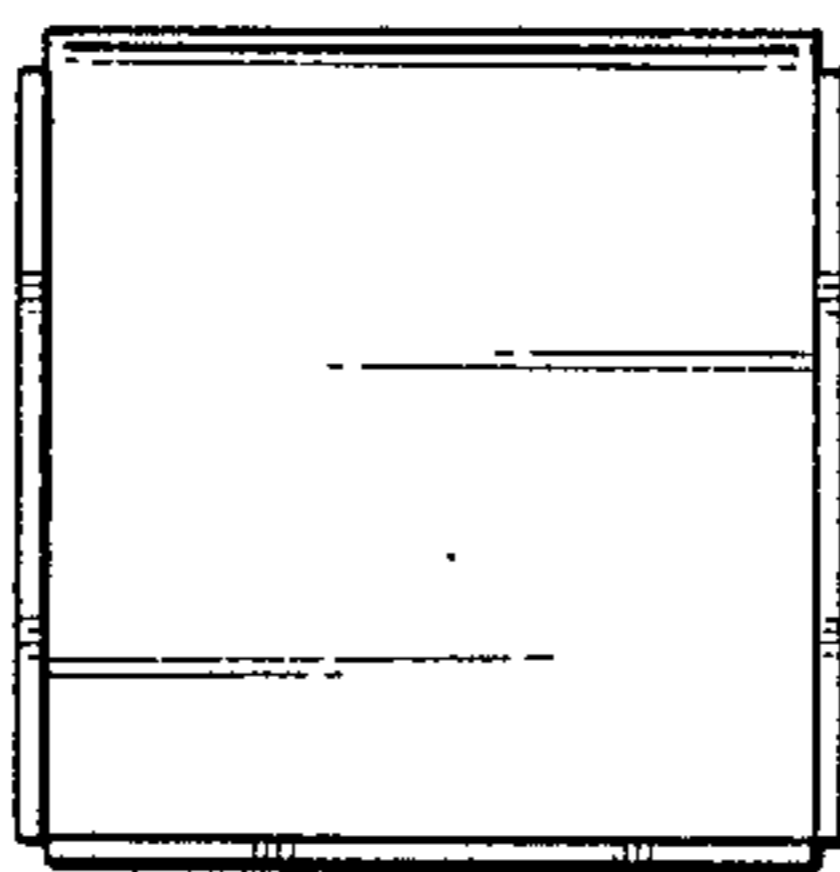


FIG. 1

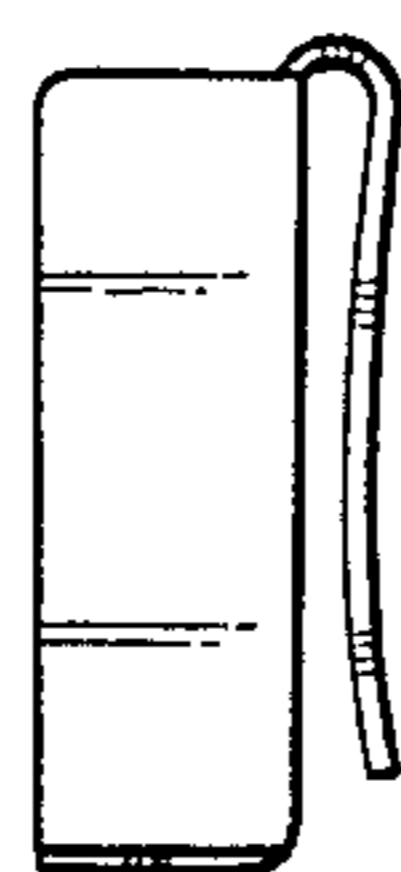


FIG. 3

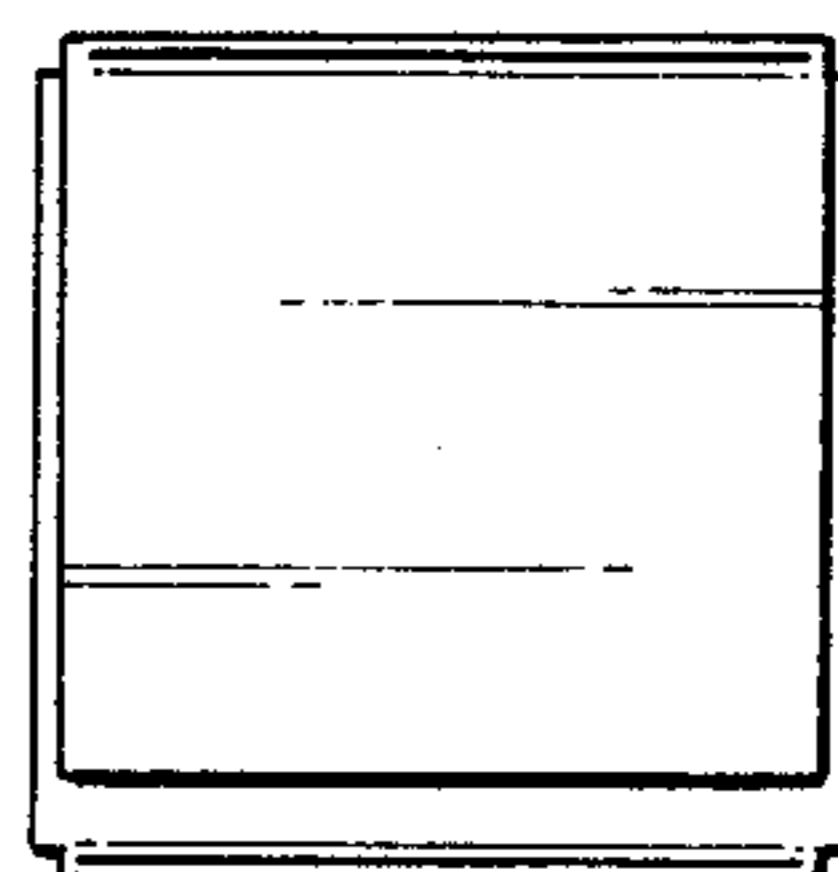


FIG. 4



FIG. 5