

[54] DENT PULLER

[76] Inventor: Kousei Ishihara, 55-7 Takashimadaira 1-chome, Itabashi-ku, Tokyo, Japan

[\*\*] Term: 14 Years

[21] Appl. No.: 114,132

[22] Filed: Oct. 26, 1987

[30] Foreign Application Priority Data

May 6, 1987 [JP] Japan ..... 62-17422

[52] U.S. Cl. .... D8/526211

[58] Field of Search ..... D8/14, 51, 88, 89; 72/705, 389, 390; 254/30

[56] References Cited

U.S. PATENT DOCUMENTS

- 1,909,696 5/1933 List ..... 254/30
- 2,661,063 12/1953 Owens ..... 254/30
- 2,863,489 12/1958 Priest ..... 72/390
- 4,026,139 5/1977 Glaser et al. .... 72/705

- 4,116,035 9/1978 Malarsky ..... 72/389
- 4,466,268 8/1984 Matson, Sr. .... 72/389

Primary Examiner—Bruce W. Dunkins  
Assistant Examiner—Clare E. Heflin  
Attorney, Agent, or Firm—Steinberg & Raskin

[57] CLAIM

The ornamental design for a dent puller, as shown and described.

DESCRIPTION

FIG. 1 is a perspective view of a dent puller showing my new design;  
 FIG. 2 is a front elevational view thereof;  
 FIG. 3 is a rear elevational view thereof;  
 FIG. 4 is a top plan view thereof;  
 FIG. 5 is a bottom plan view thereof;  
 FIG. 6 is a right side elevational view thereof, the side opposite being substantially a mirror image;  
 FIG. 7 is a perspective view thereof showing the base and handles in an alternate position.

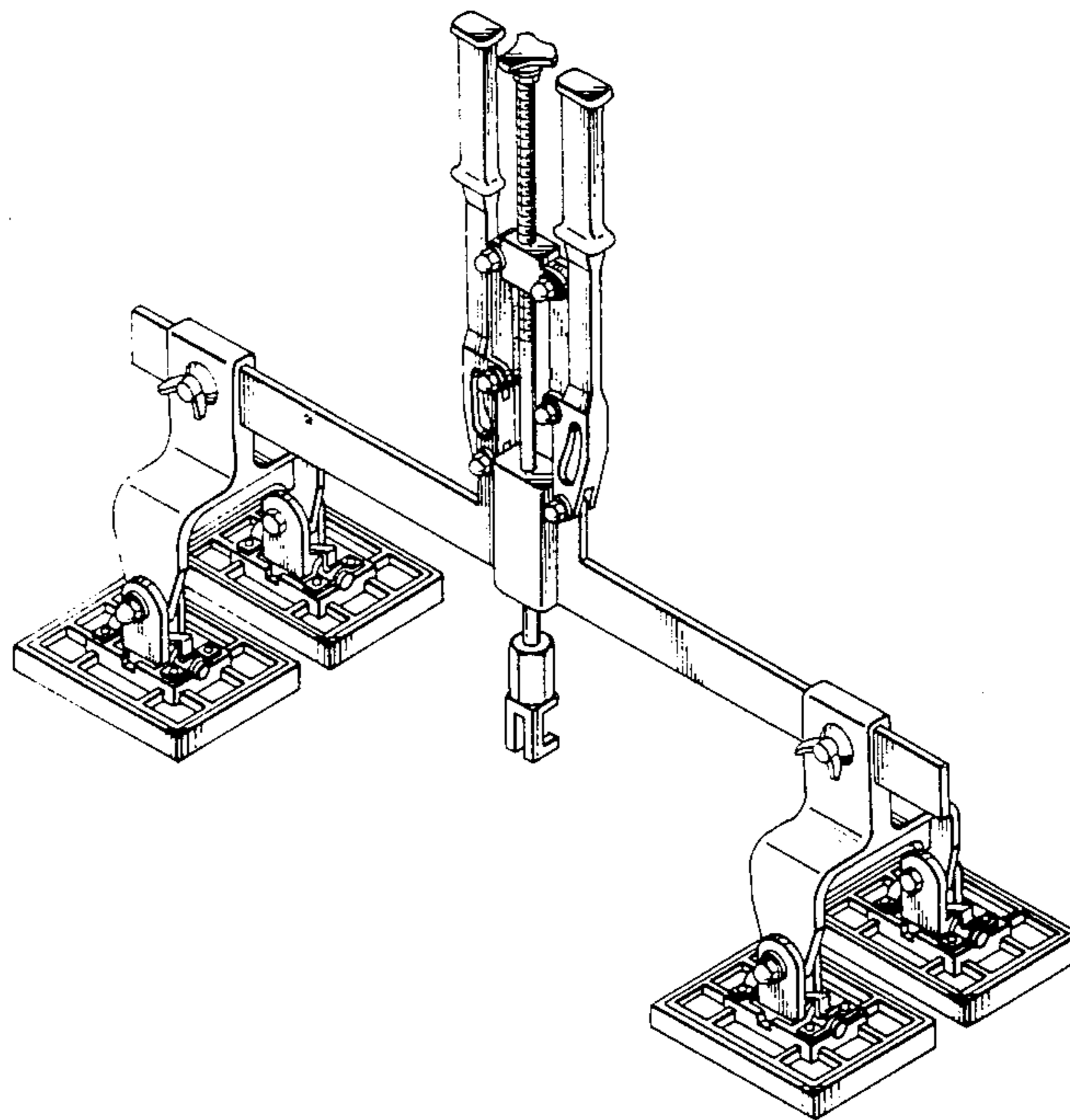


FIG. 1

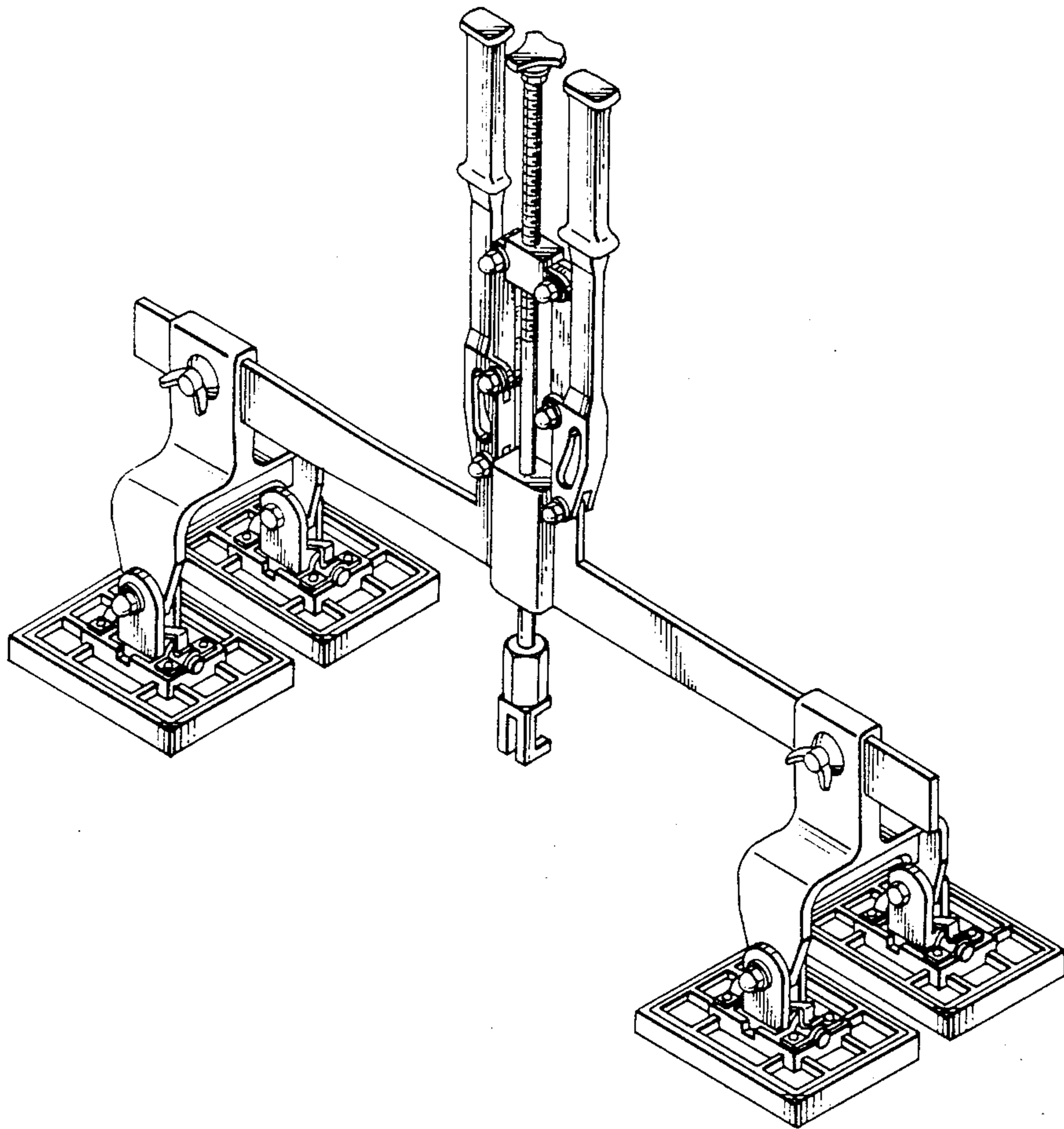


FIG. 2

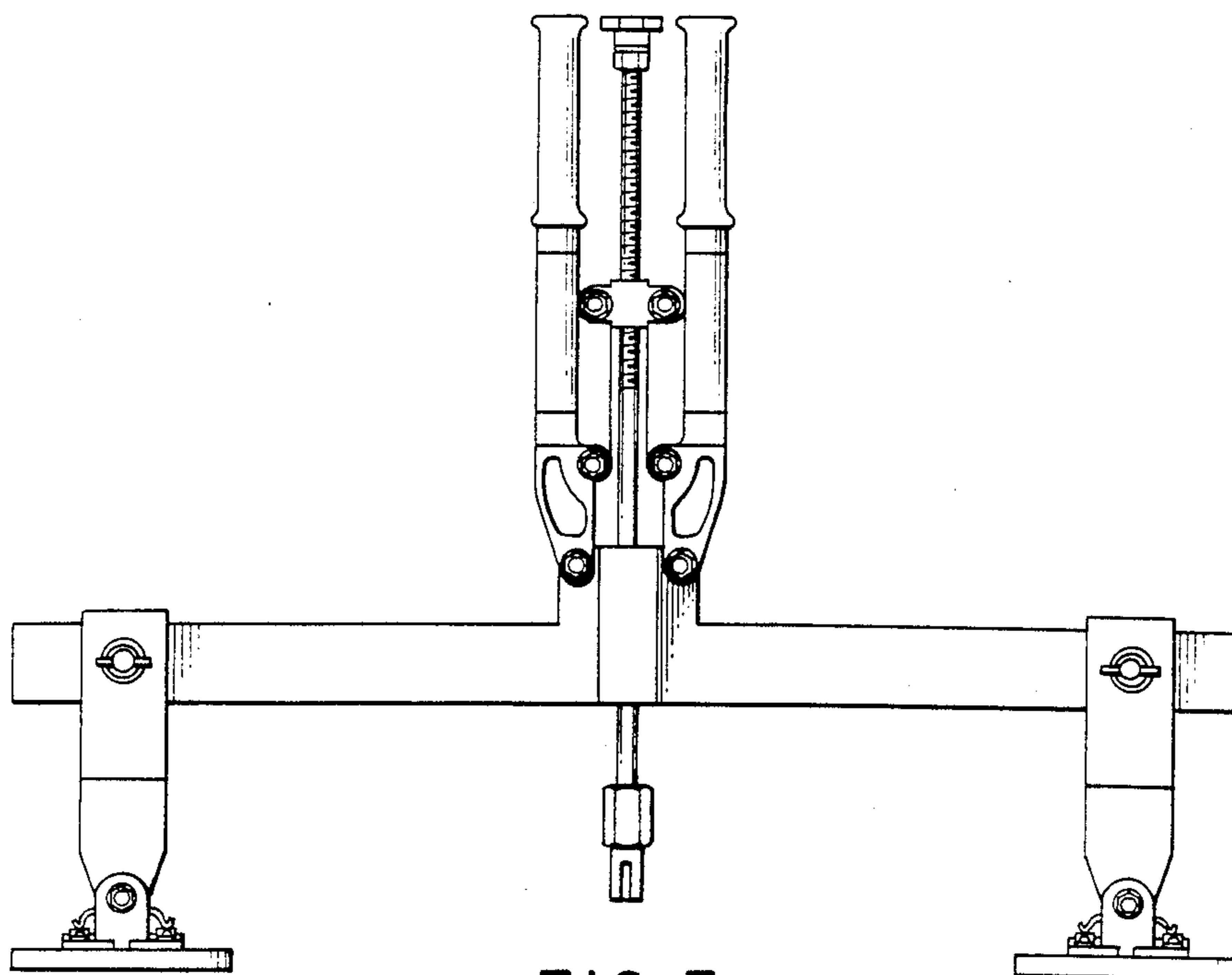


FIG. 3

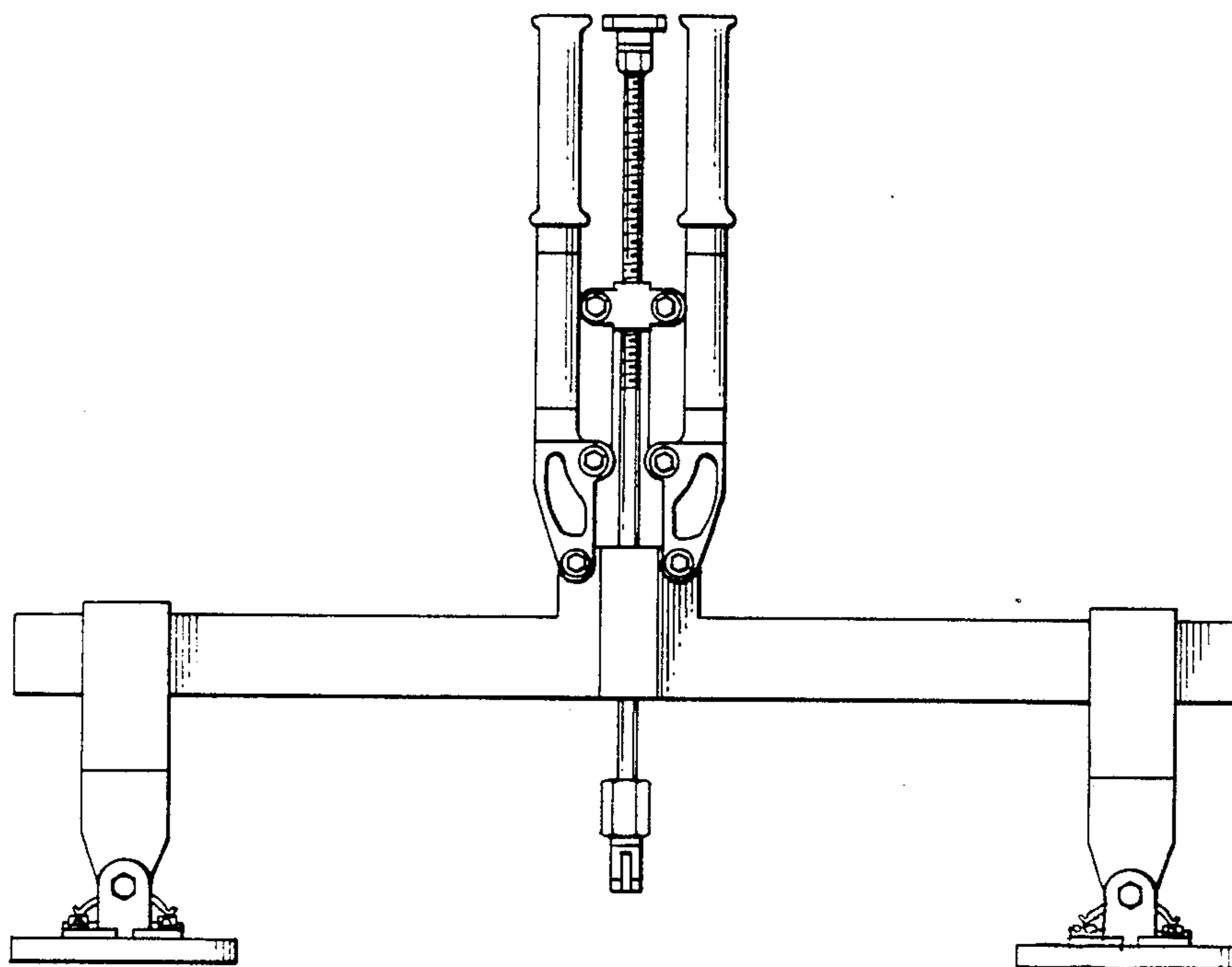


FIG. 6

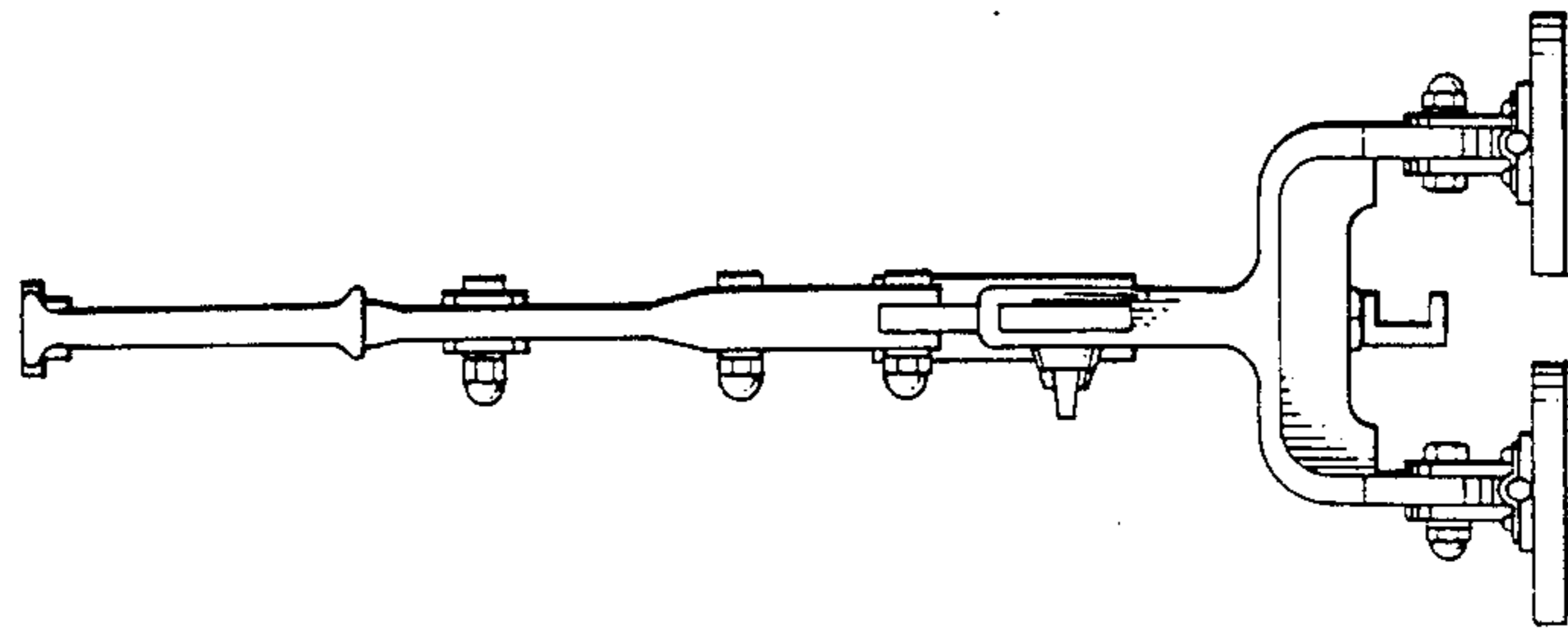


FIG. 4

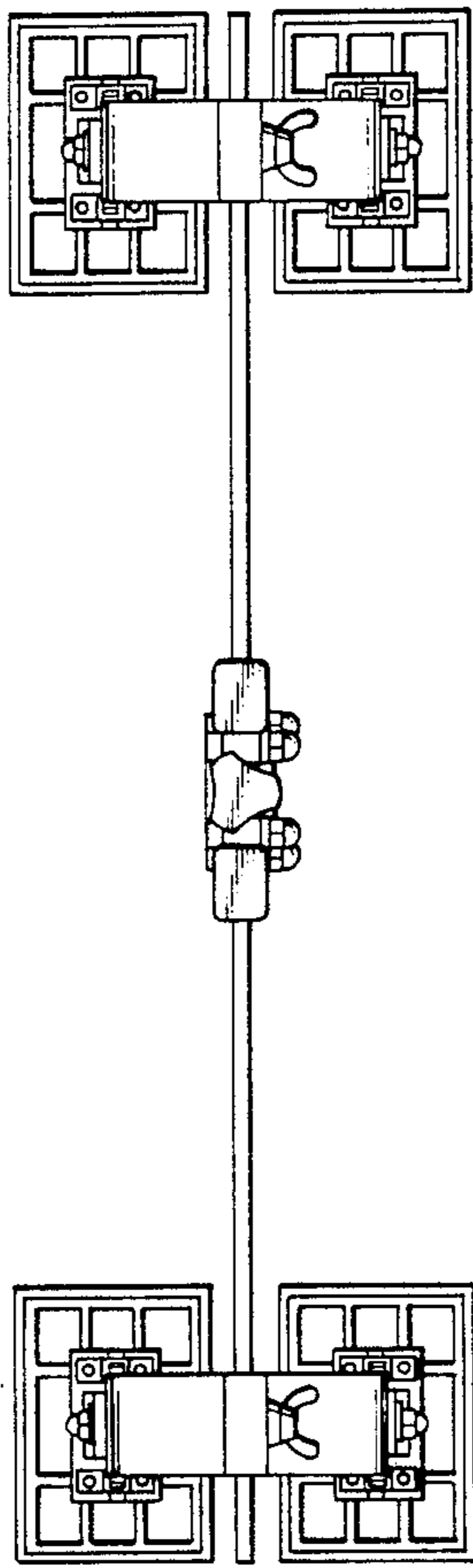


FIG. 5

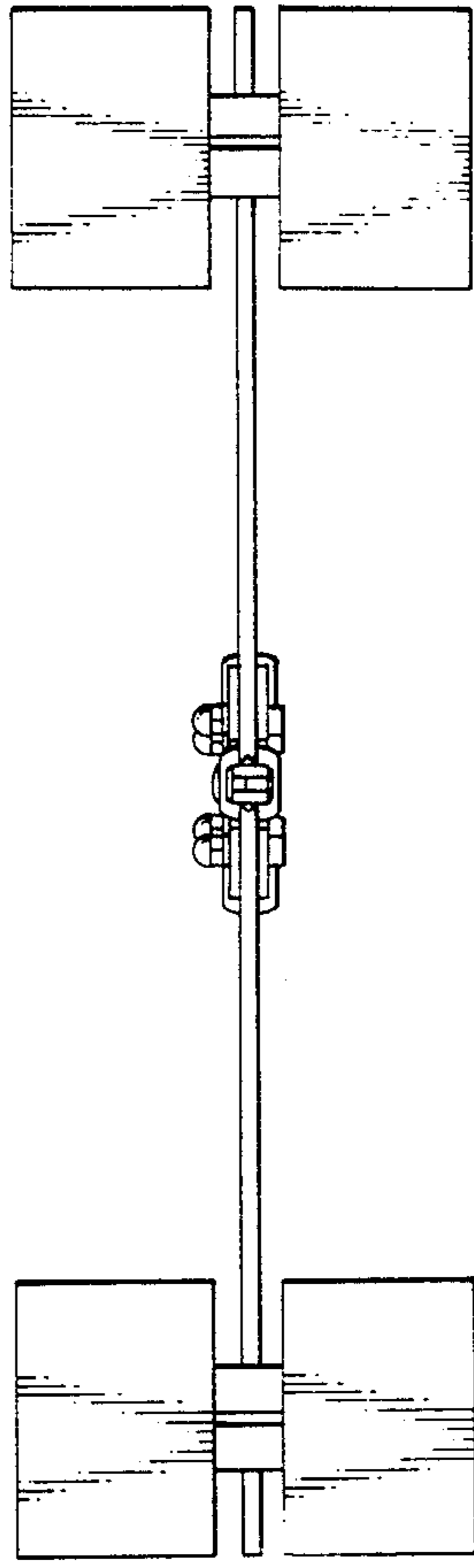


FIG. 7

