

United States Patent [19]

Sato

[11] Patent Number: **Des. 311,669**

[45] Date of Patent: **** Oct. 30, 1990**

[54] **COMBINED STAPLER AND PERFORATOR**

[76] Inventor: **Hisano Sato**, Daini-Hikariso, 10,
Toyotamaminami 3-chome,
Nerima-ku, Tokyo, Japan

[**] Term: **14 Years**

[21] Appl. No.: **184,541**

[22] Filed: **Apr. 20, 1988**

[30] **Foreign Application Priority Data**

Oct. 24, 1987 [JP] Japan 62-43490

[52] U.S. Cl. **D8/50**

[58] Field of Search D8/49, 50; 227/120,
227/127-128, 130-132; D19/72; 83/467, 560,
588, 618, 167

[56] **References Cited**

U.S. PATENT DOCUMENTS

D. 215,692 10/1969 Glennon D8/50

D. 292,419 10/1987 Carnahan D19/72

Primary Examiner—Bernard Ansher
Assistant Examiner—Terry A. Pfeffer
Attorney, Agent, or Firm—Kanesaka and Takeuchi

[57] **CLAIM**

The ornamental design for a combined stapler and perforator, as shown and described.

DESCRIPTION

FIG. 1 is a right side and top perspective view of a combined stapler and perforator showing my new design;
FIG. 2 is a front elevation view thereof,
FIG. 3 is a rear elevation view thereof,
FIG. 4 is a top plan view thereof,
FIG. 5 is a bottom plan view thereof,
FIG. 6 is a left side elevation view thereof,
FIG. 7 is a right side elevation view thereof, and
FIG. 8 is a vertical sectional view taken along line 8—8 of FIG. 4.

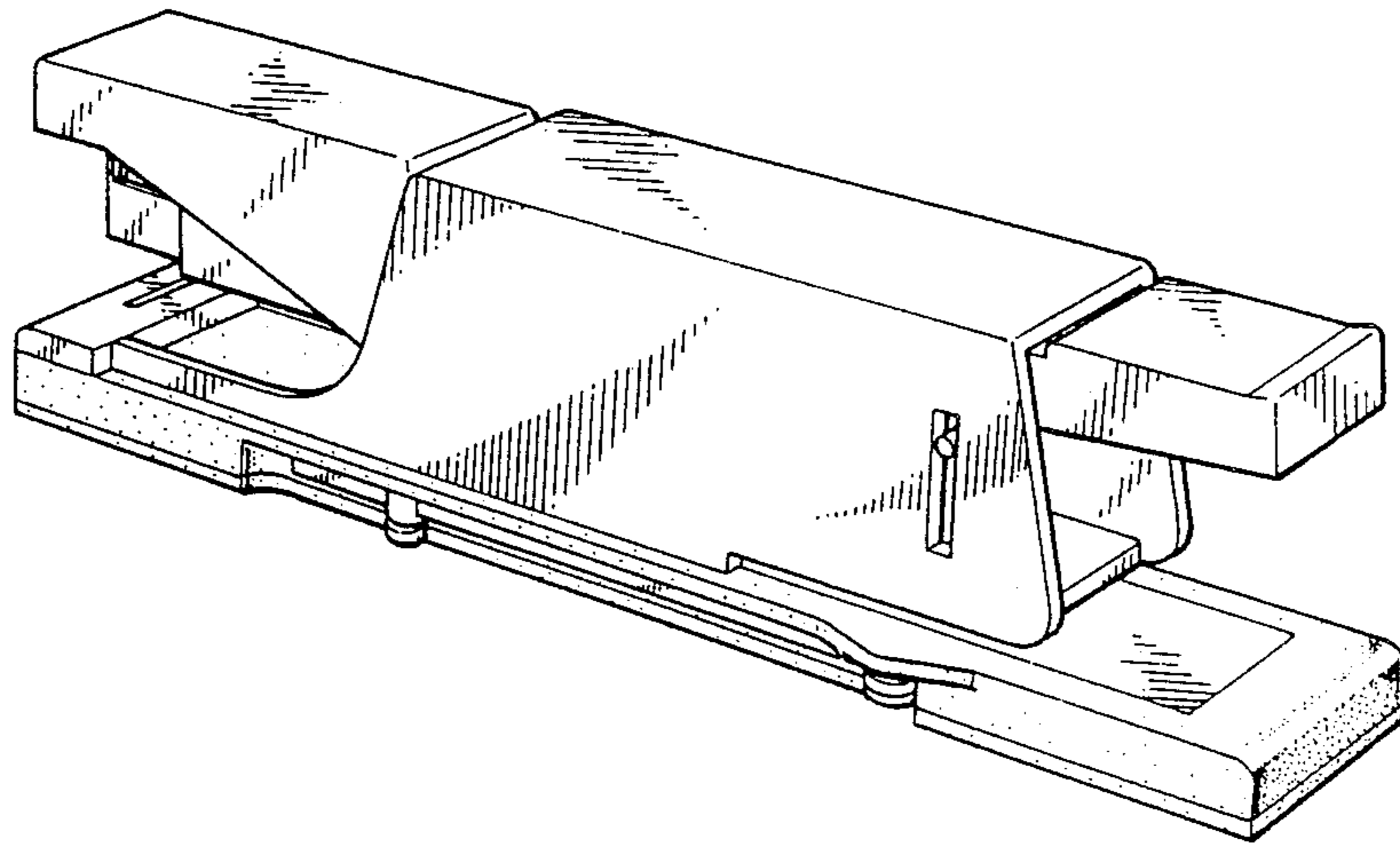


FIG. 1

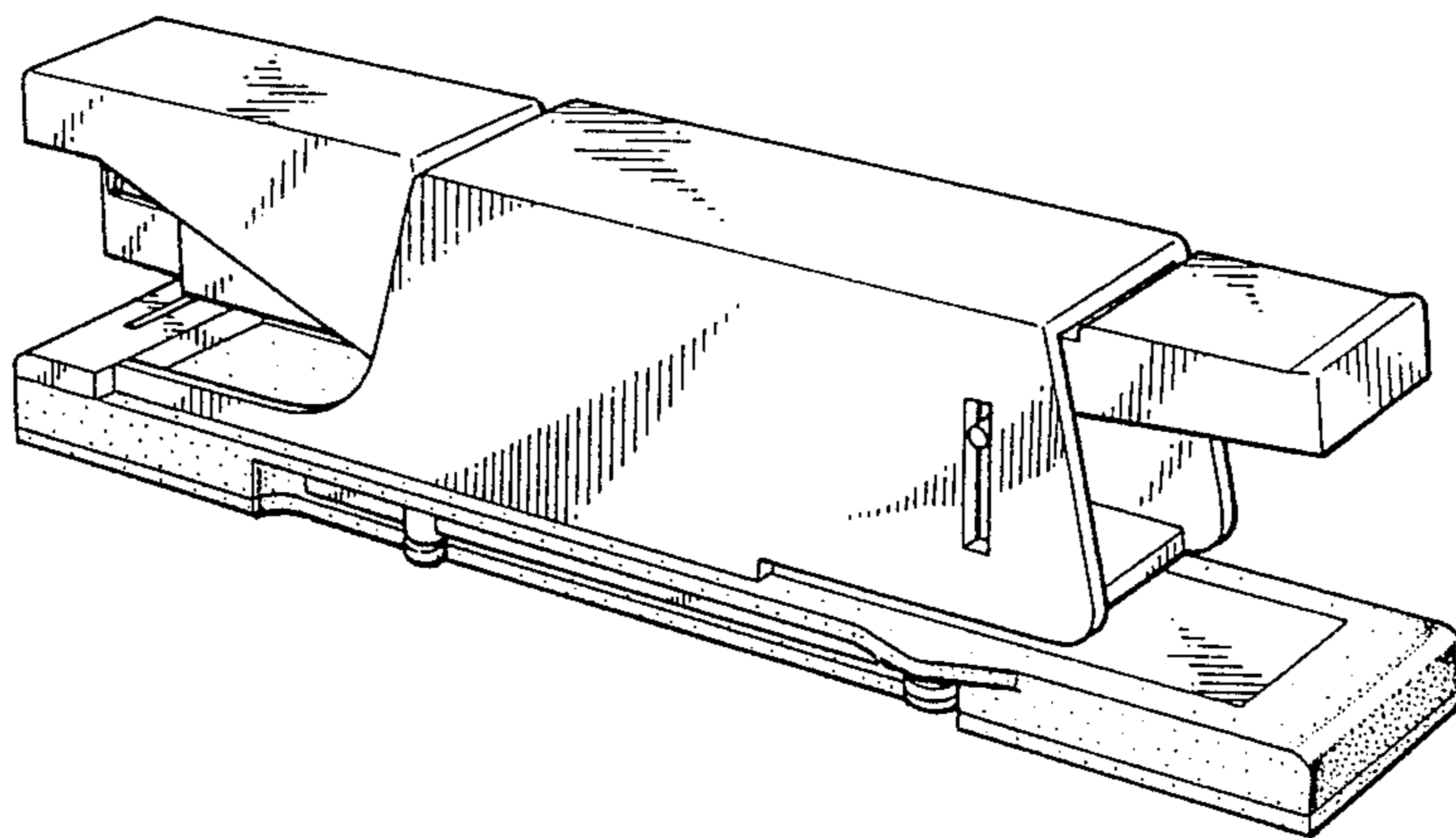


FIG. 2

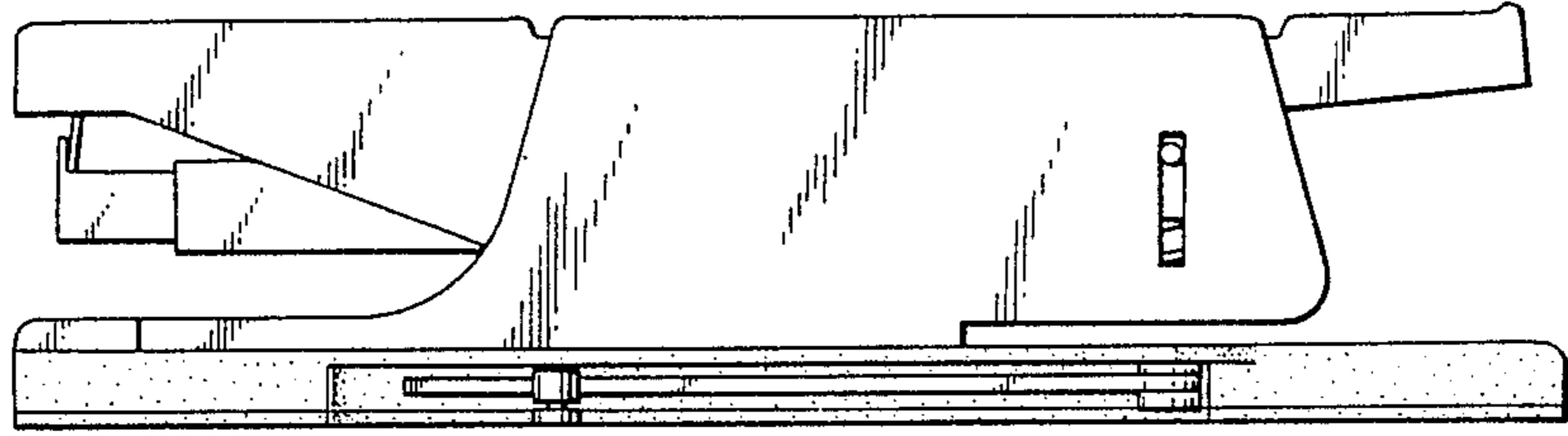


FIG. 3

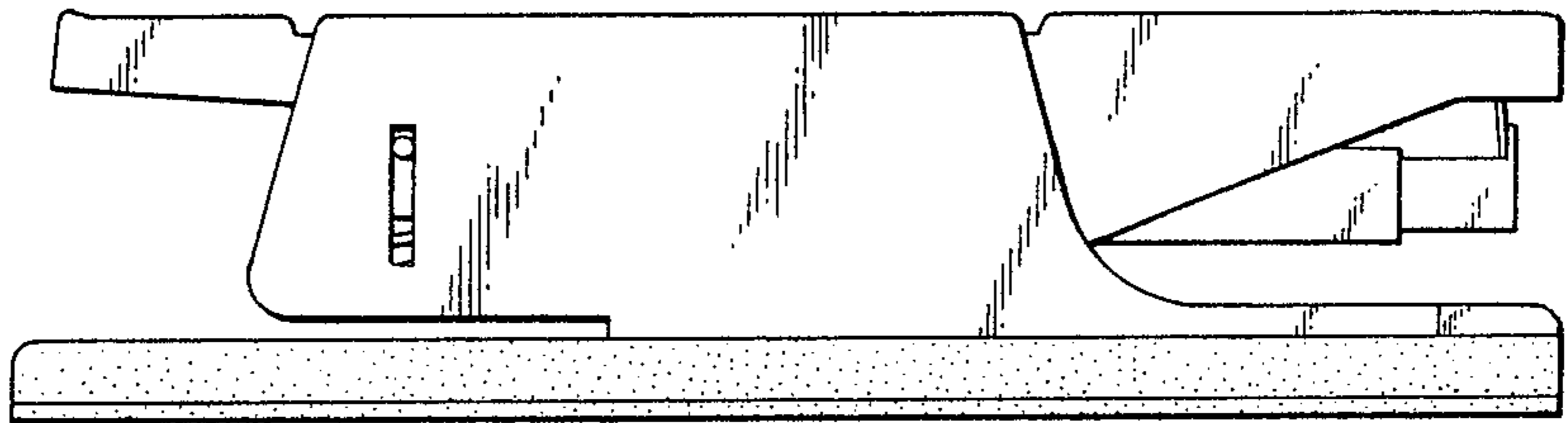


FIG. 4

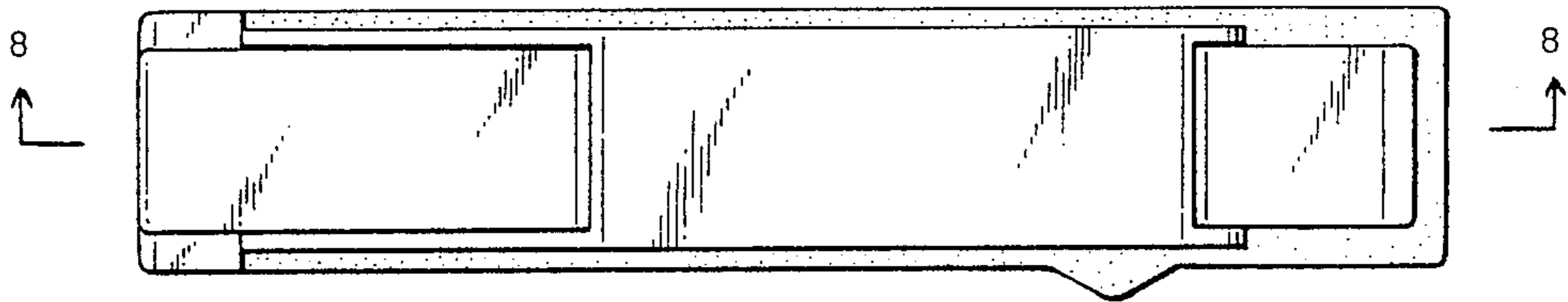


FIG. 5

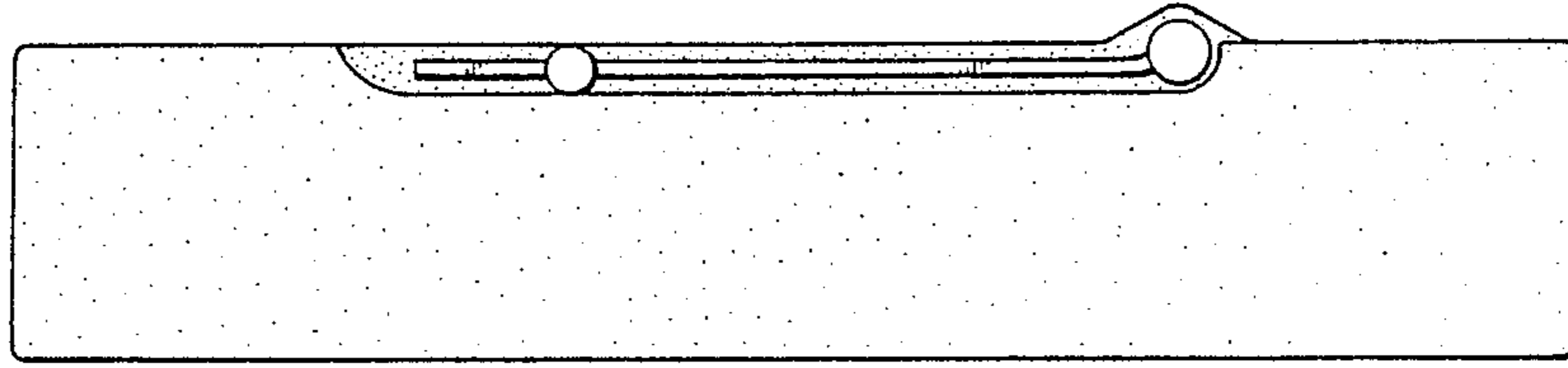


FIG. 6

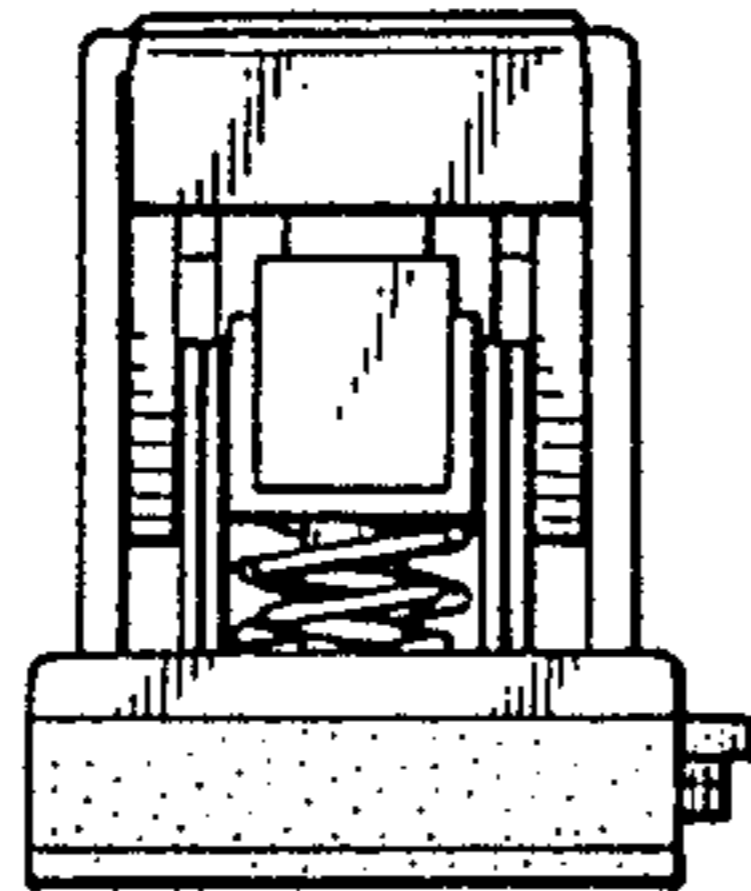


FIG. 7

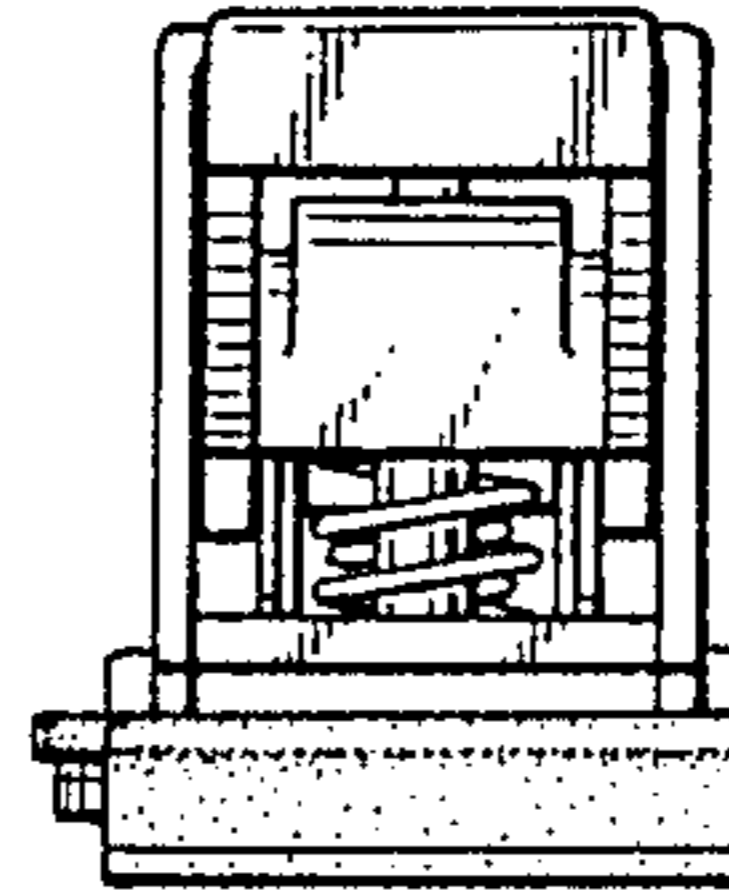
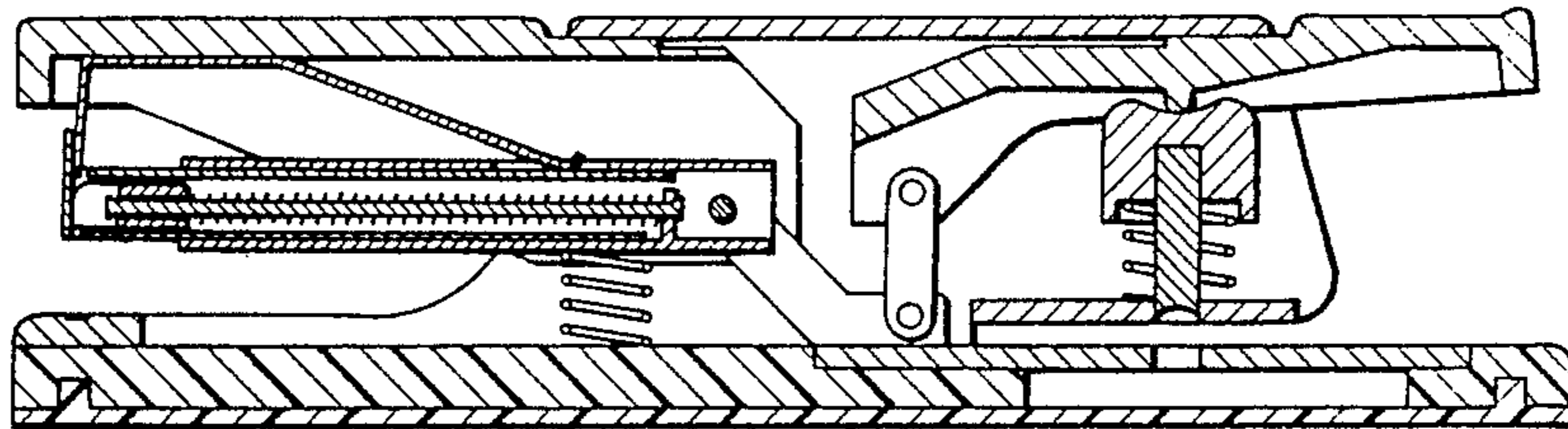


FIG. 8



UNITED STATES PATENT AND TRADEMARK OFFICE
CERTIFICATE OF CORRECTION

PATENT NO. : Des. 311,669

DATED : October 30, 1990

INVENTOR(S) : Hisao Sato

It is certified that error appears in the above-identified patent and that said Letters Patent is hereby corrected as shown below:

Cover page, inventor's section, inventor's name.

Change "Hisano Sato" to --Hisao Sato--.

Signed and Sealed this
Twenty-fifth Day of February, 1992

Attest:

HARRY F. MANBECK, JR.

Attesting Officer

Commissioner of Patents and Trademarks