

[54] **CAN AND BOTTLE OPENER**
 [76] **Inventor: Talal Cholagh, 3565 Chapel Dr., Sterling Heights, Mich. 48310**
 [**] **Term: 14 Years**
 [21] **Appl. No.: 167,437**
 [22] **Filed: Mar. 14, 1988**
 [52] **U.S. Cl. D8/18**
 [58] **Field of Search D8/18, 33, 40-43; 81/3.07, 3.55, 3.09; 7/151**

4,409,863 10/1983 Anderson 81/3.1 R
 4,412,464 11/1983 Cook 81/3.1 R
 4,455,894 6/1984 Roberts 81/3.1 R
 4,617,842 10/1986 Yang 81/3.09
 4,633,740 1/1987 Jacobs 81/3.55

Primary Examiner—Bernard Ansher
Assistant Examiner—Terry A. Pfeffer
Attorney, Agent, or Firm—Gifford, Groh, Sprinkle, Patmore and Anderson

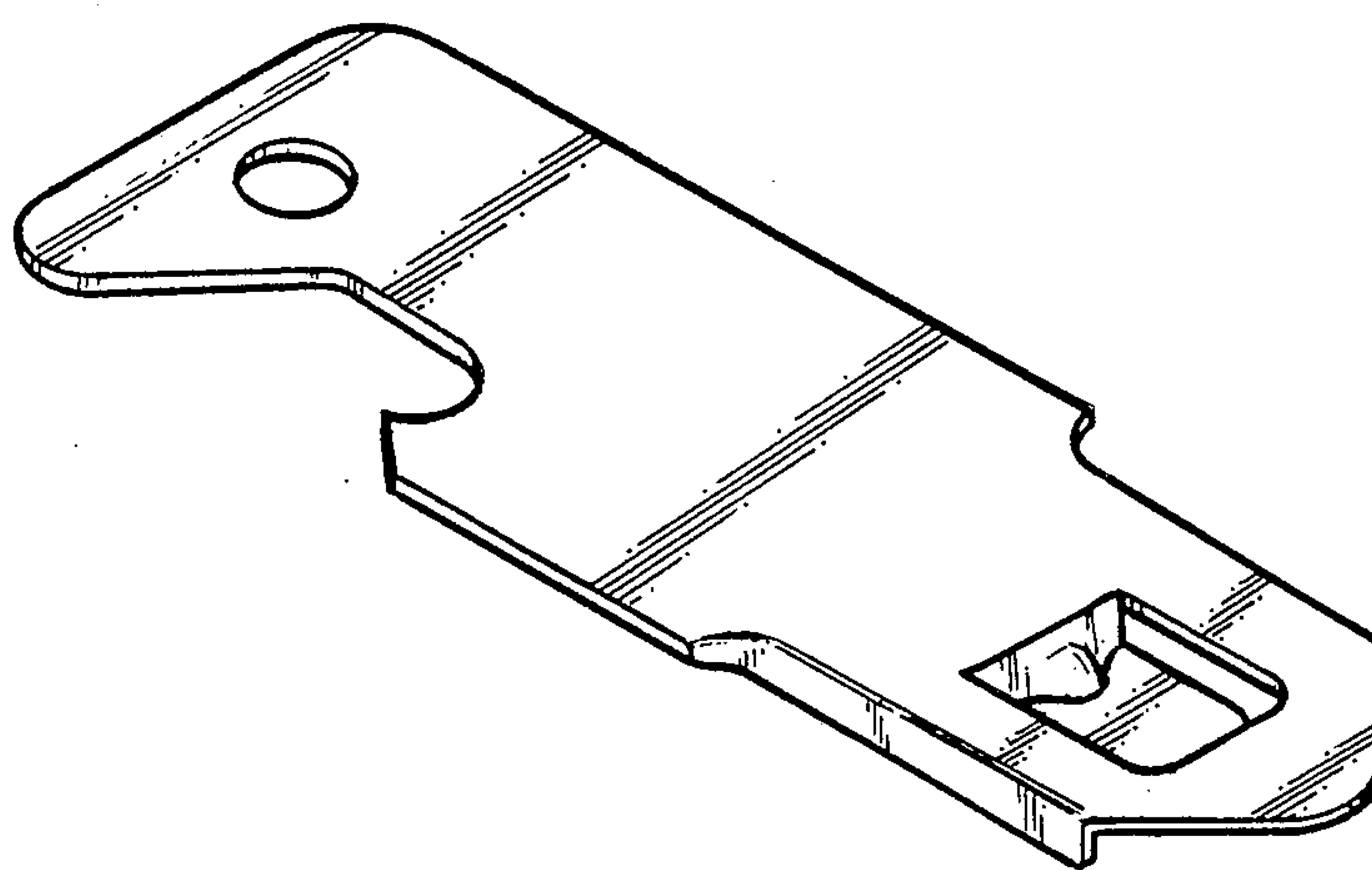
[56] **References Cited**
U.S. PATENT DOCUMENTS

D. 182,423 4/1958 Lydon D8/18
 D. 270,807 10/1983 Dillinger D8/18
 D. 282,714 2/1986 Harvey D8/43
 D. 288,895 3/1987 Sarnoff et al. D8/18
 D. 296,653 7/1988 Dawson D8/40
 2,516,375 7/1950 Evers 7/152 X
 3,172,317 3/1965 Blakeslee et al. 81/3.46
 4,309,921 1/1982 Miller 81/3.46 R

[57] **CLAIM**
 The ornamental design of a can and bottle opener, as shown and described.

DESCRIPTION

FIG. 1 is a top perspective view of a can and bottle opener showing my new design, the can shown in broken lines for illustrative purposes only;
 FIG. 2 is a top plan view thereof;
 FIG. 3 is a bottom plan view thereof;
 FIG. 4 is a side elevational view thereof;
 FIG. 5 is a rear elevational view thereof and;
 FIG. 6 is a front elevational view thereof.



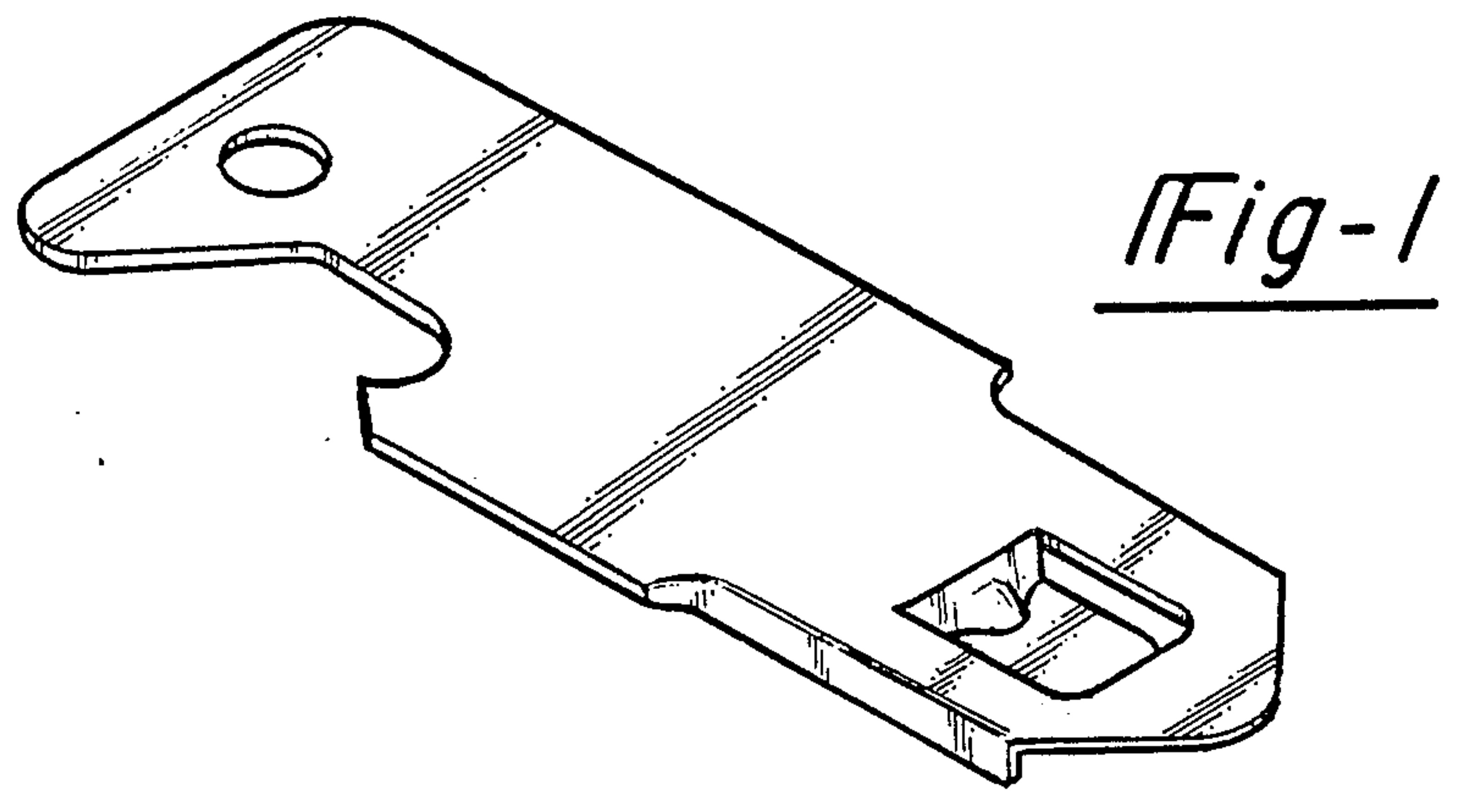


Fig-1

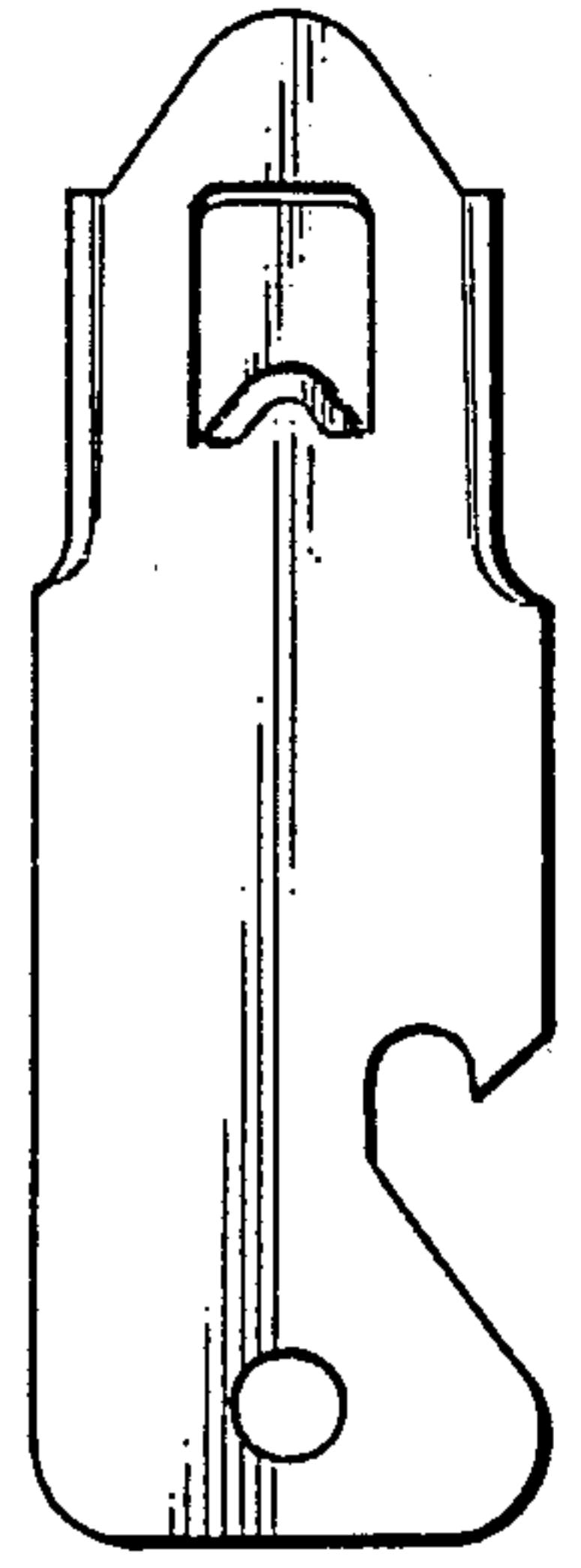


Fig-2

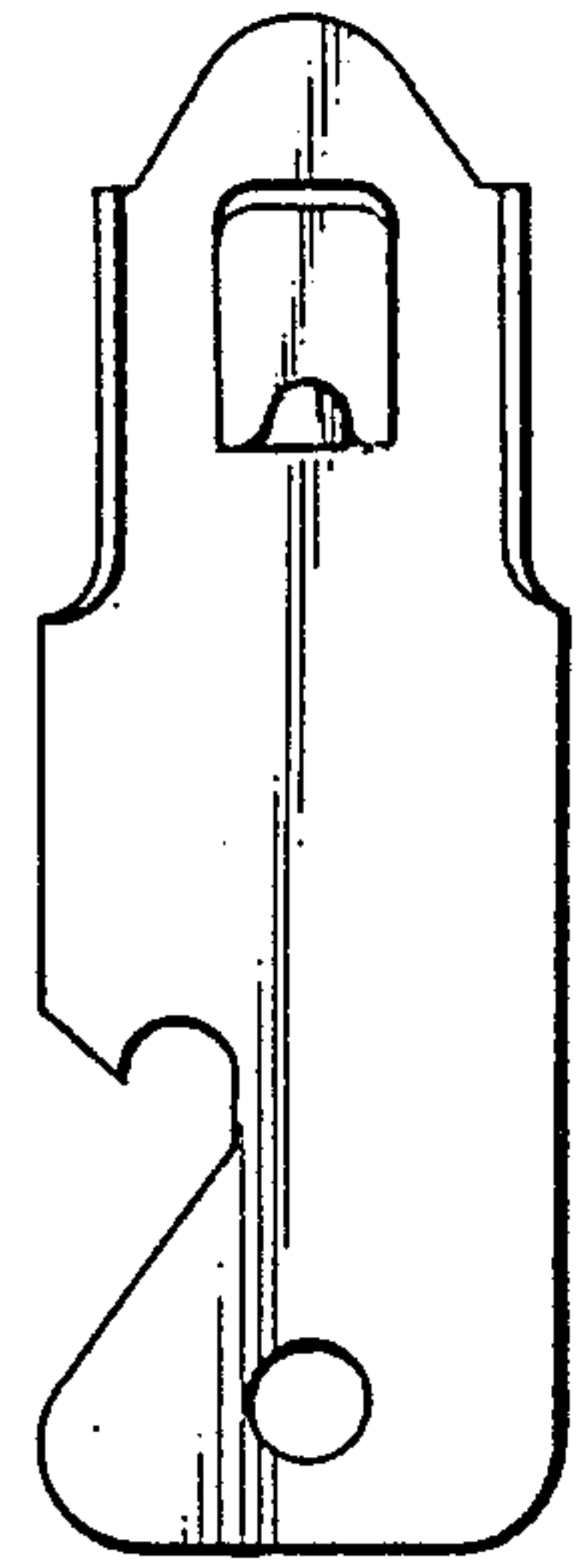


Fig-3



Fig-4



Fig-5



Fig-6