

[54] **STANCHION FOR A BEVERAGE TAP**
[75] **Inventor: Michael J. Start, Dorset, England**
[73] **Assignee: Homark Associates Limited, Dorset, Great Britain**
[**] **Term: 14 Years**
[21] **Appl. No.: 31,384**
[22] **Filed: Mar. 27, 1987**

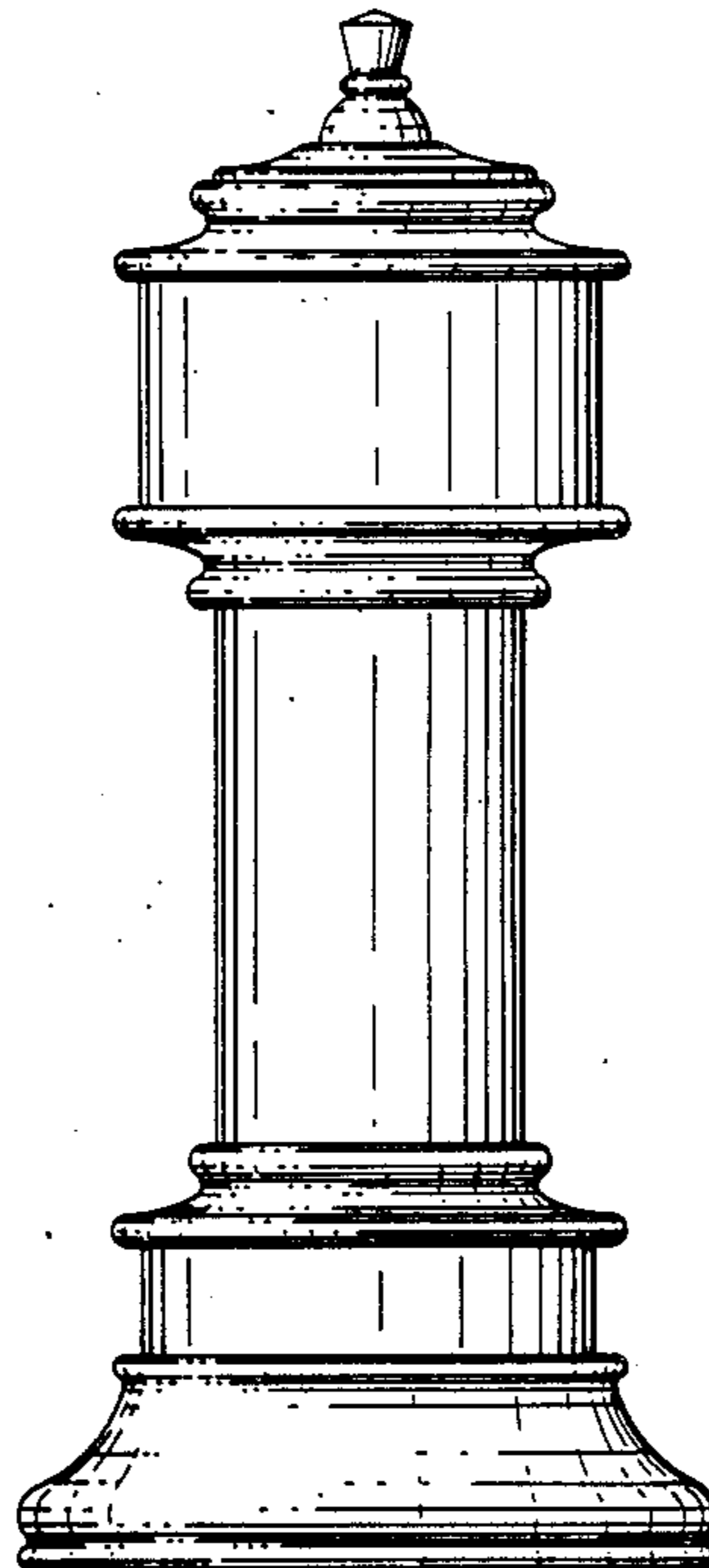
[30] **Foreign Application Priority Data**
Oct. 7, 1986 [GB] United Kingdom 1037216
[52] **U.S. Cl. D7/397; D7/313**
[58] **Field of Search D7/397, 398, 313, 306, D7/308; D21/52; D25/126, 129; D23/231, 232, 234; 222/129.1, 129.2, 129.3**

[56] **References Cited**
U.S. PATENT DOCUMENTS
D. 75,740 7/1928 Look D7/313
D. 88,350 11/1932 Green D7/313
D. 228,823 10/1973 Oelschlager D7/397
581,719 5/1897 Hansen D23/232 X
2,262,043 11/1914 Perlick D7/398 X

Primary Examiner—Winifred E. Herrmann
Attorney, Agent, or Firm—Kenyon & Kenyon

[57] **CLAIM**
The ornamental design for a stanchion for a beverage tap, as shown and described.

DESCRIPTION
FIG. 1 is a side elevational view of a stanchion for a beverage tap showing my new design, the undisclosed sides being the same in appearance as the side shown; FIG. 2 is a top plan view thereof; and FIG. 3 is a bottom plan view thereof.



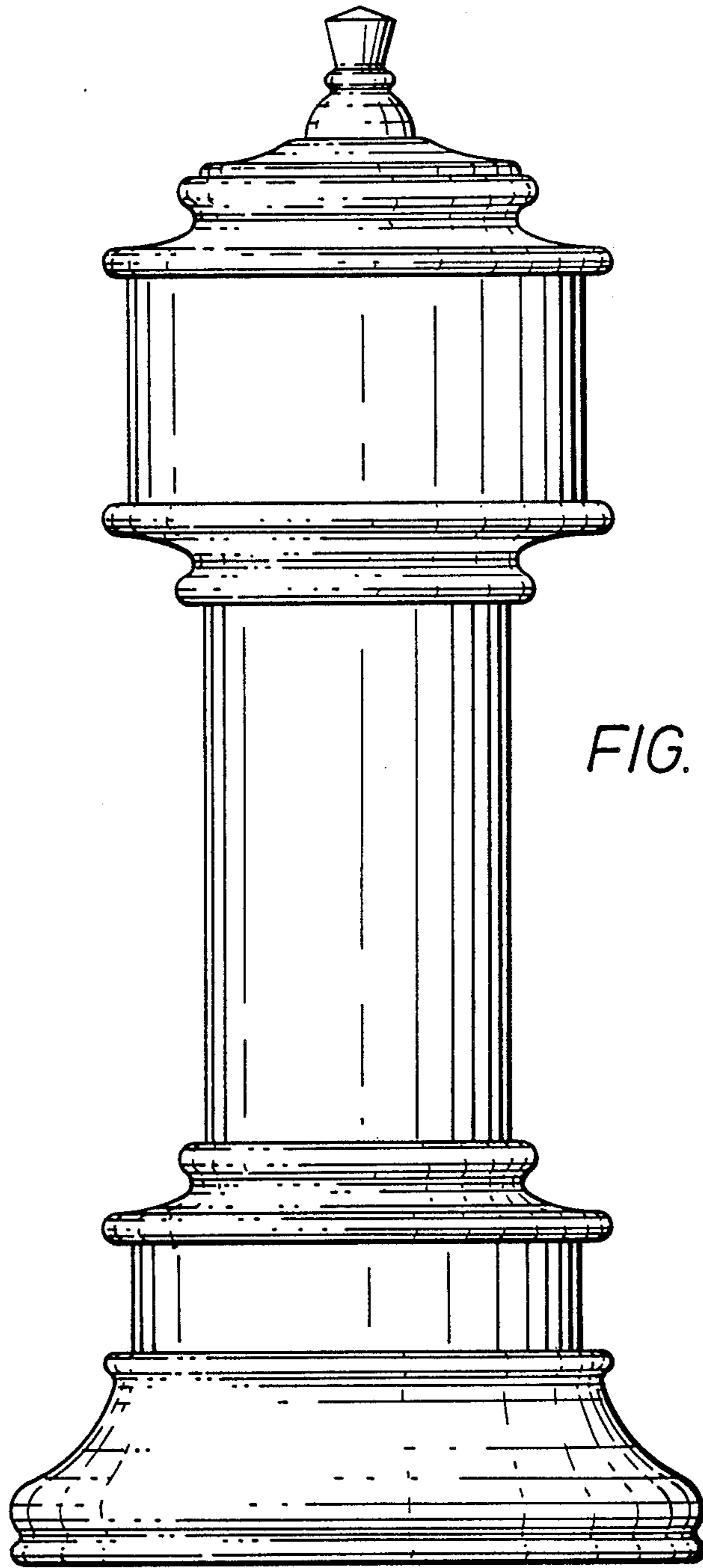


FIG. 1.

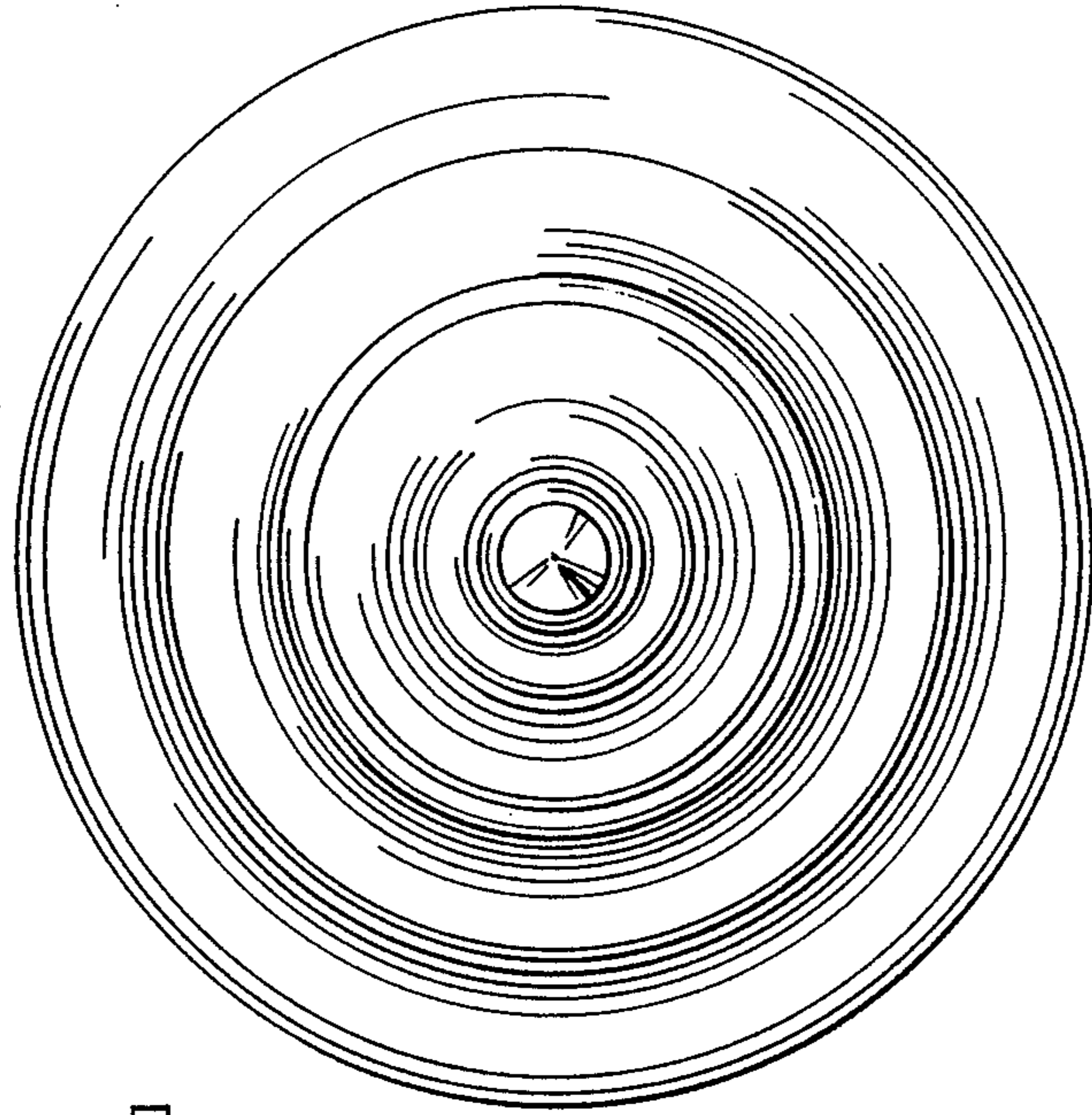


Fig. 2.

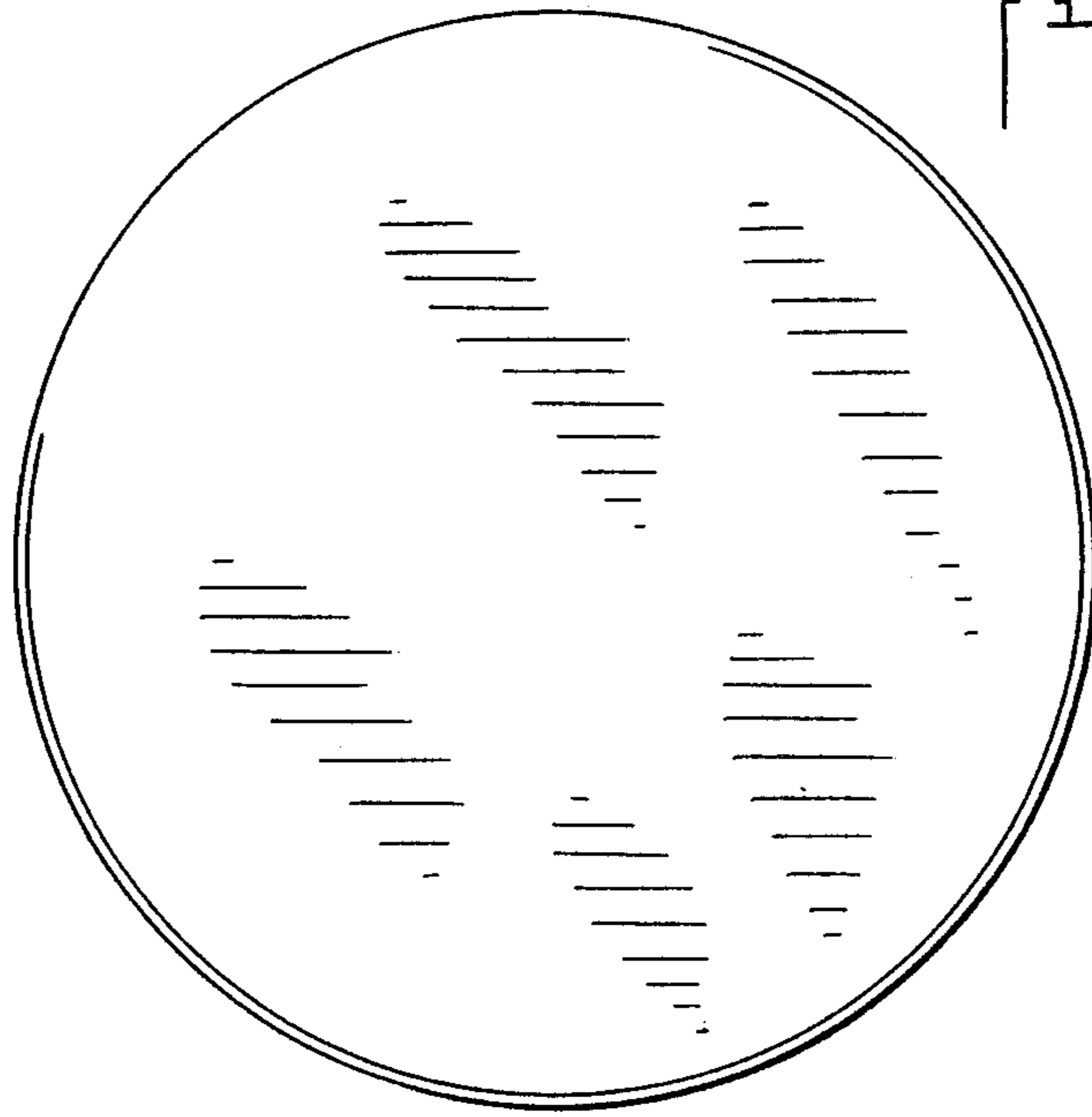


Fig. 3.