

# United States Patent [19]

Lindauer

[11] Patent Number: **Des. 311,653**

[45] Date of Patent: **\*\* Oct. 30, 1990**

[54] LIQUID SOAP DISPENSING CONTAINER

[75] Inventor: **Jerome I. Lindauer, Hillsdale, N.J.**

[73] Assignee: **International Flavors & Fragrances Inc., New York, N.Y.**

[\*\*] Term: **14 Years**

[21] Appl. No.: **283,902**

[22] Filed: **Dec. 13, 1988**

[52] U.S. Cl. .... **D6/542; D9/300; D9/403**

[58] Field of Search ..... **D6/512, 524, 542; 222/105, 173, 630-633, 372, 490, 572; D28/91.1; D9/300, 338, 349, 367, 403, 413, 448**

[56] **References Cited**

### U.S. PATENT DOCUMENTS

D. 250,622	12/1978	Hunter	.....	D6/544
D. 271,165	11/1983	Lander	.....	D6/545
2,067,601	1/1937	Dobkin	.....	D6/545 X

2,210,297	8/1940	Klok	.....	D6/542 X
4,413,757	11/1983	Adler	.....	222/105
4,795,063	1/1989	Sekiguchi et al.	.....	222/105

### FOREIGN PATENT DOCUMENTS

152826 2/1932 Switzerland ..... 206/77.1

*Primary Examiner*—Wallace R. Burke

*Assistant Examiner*—Brian N. Vinson

### [57] CLAIM

The ornamental design for a liquid soap dispensing container, as shown and described.

### DESCRIPTION

FIG. 1 is a perspective view of a liquid soap dispensing container showing my new design;  
 FIG. 2 is a top plan view thereof;  
 FIG. 3 is a bottom plan view thereof;  
 FIG. 4 is a front elevational view thereof;  
 FIG. 5 is a right side elevational view thereof, the left side being a mirror image of that shown;  
 FIG. 6 is a rear elevational view thereof.

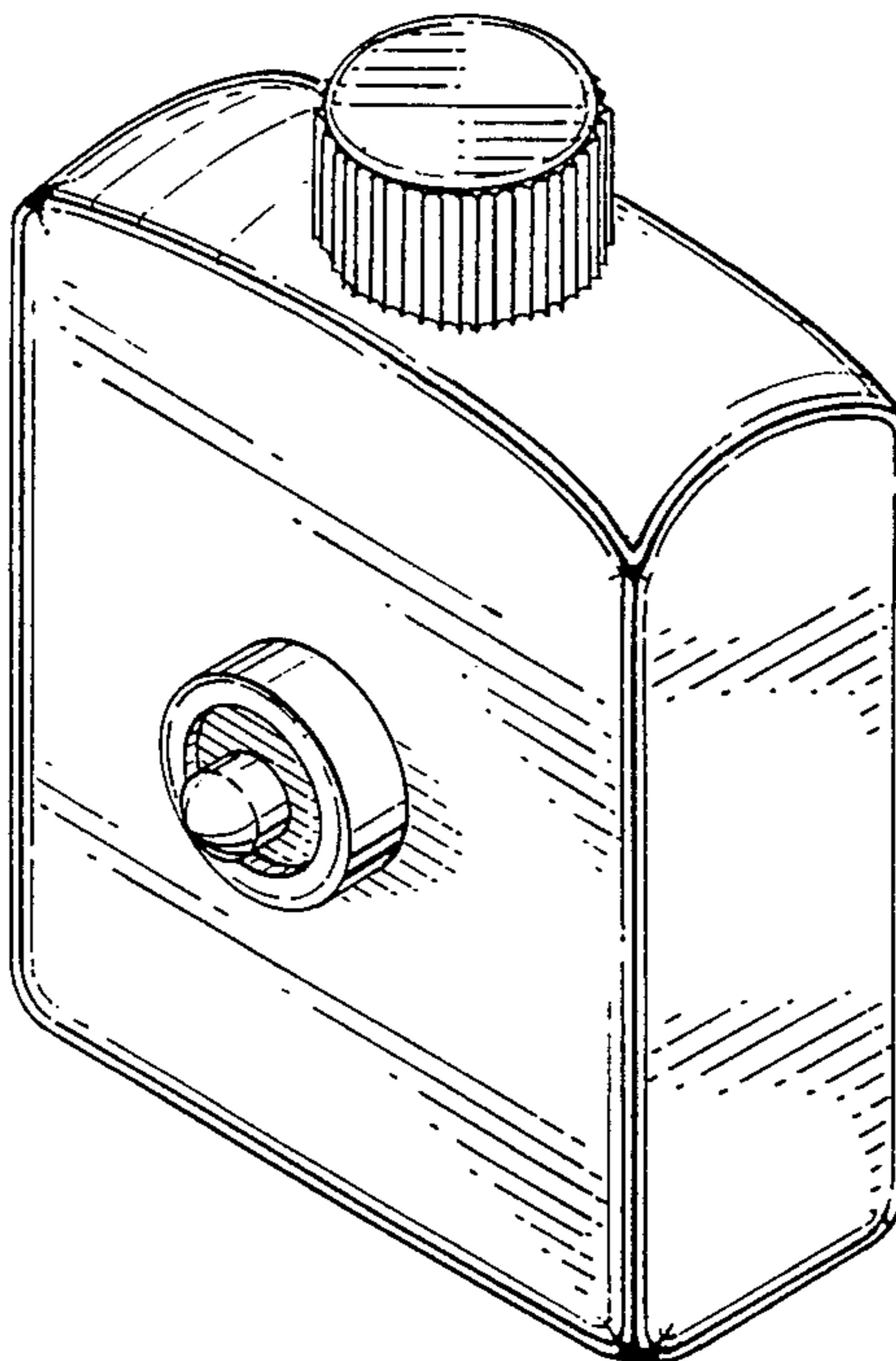


FIG. 1

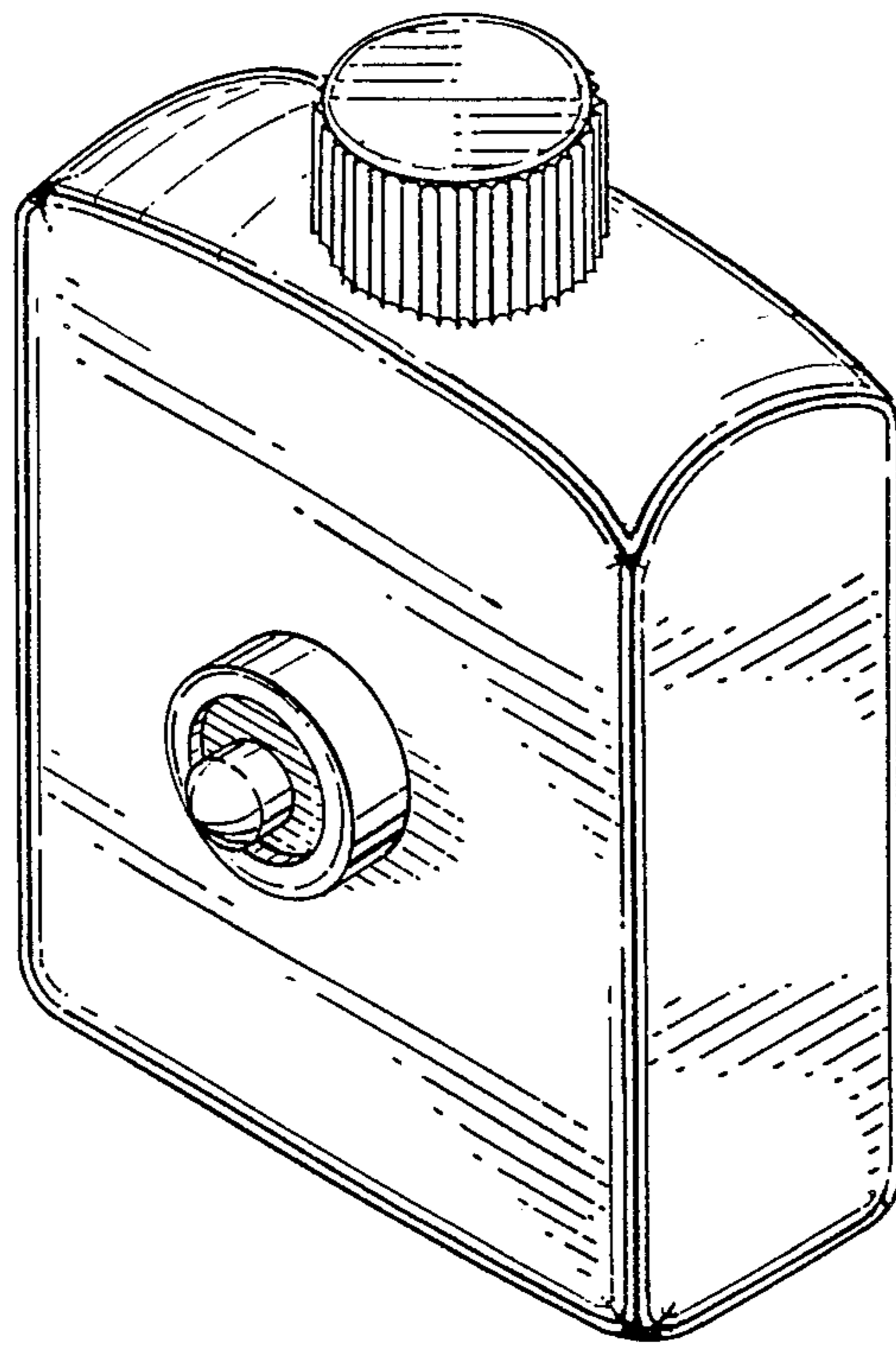


FIG. 2

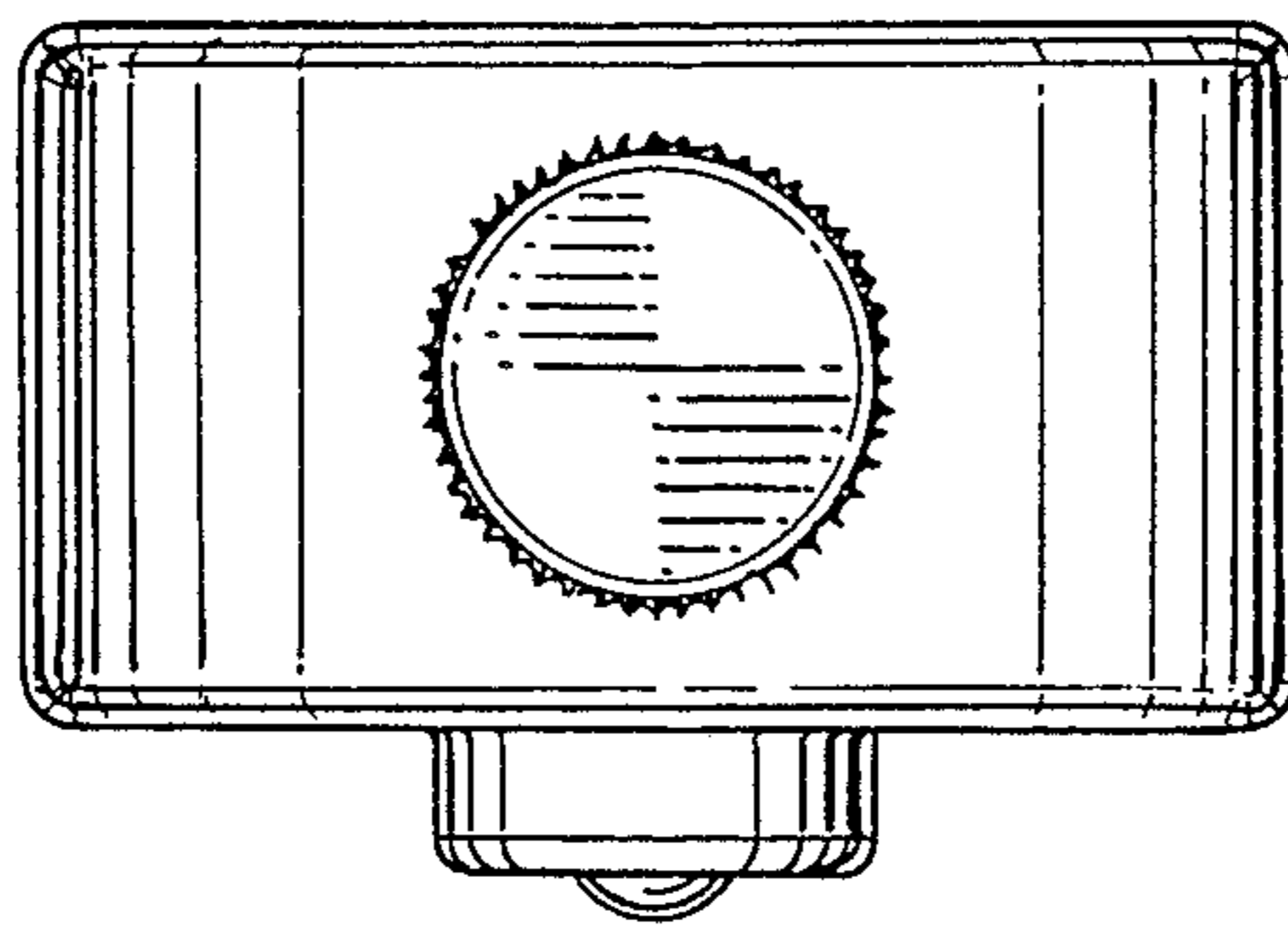


FIG. 3

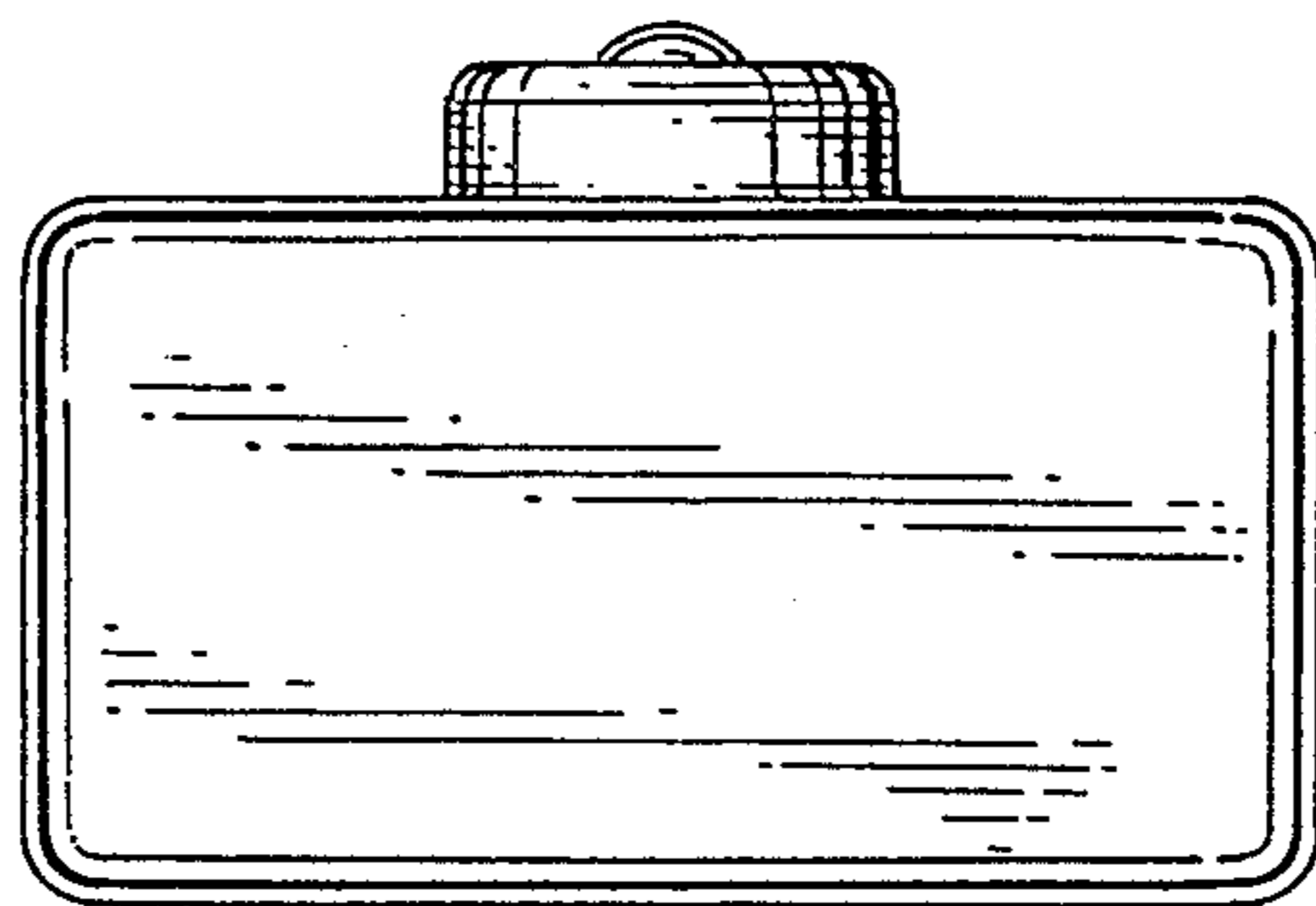


FIG. 6

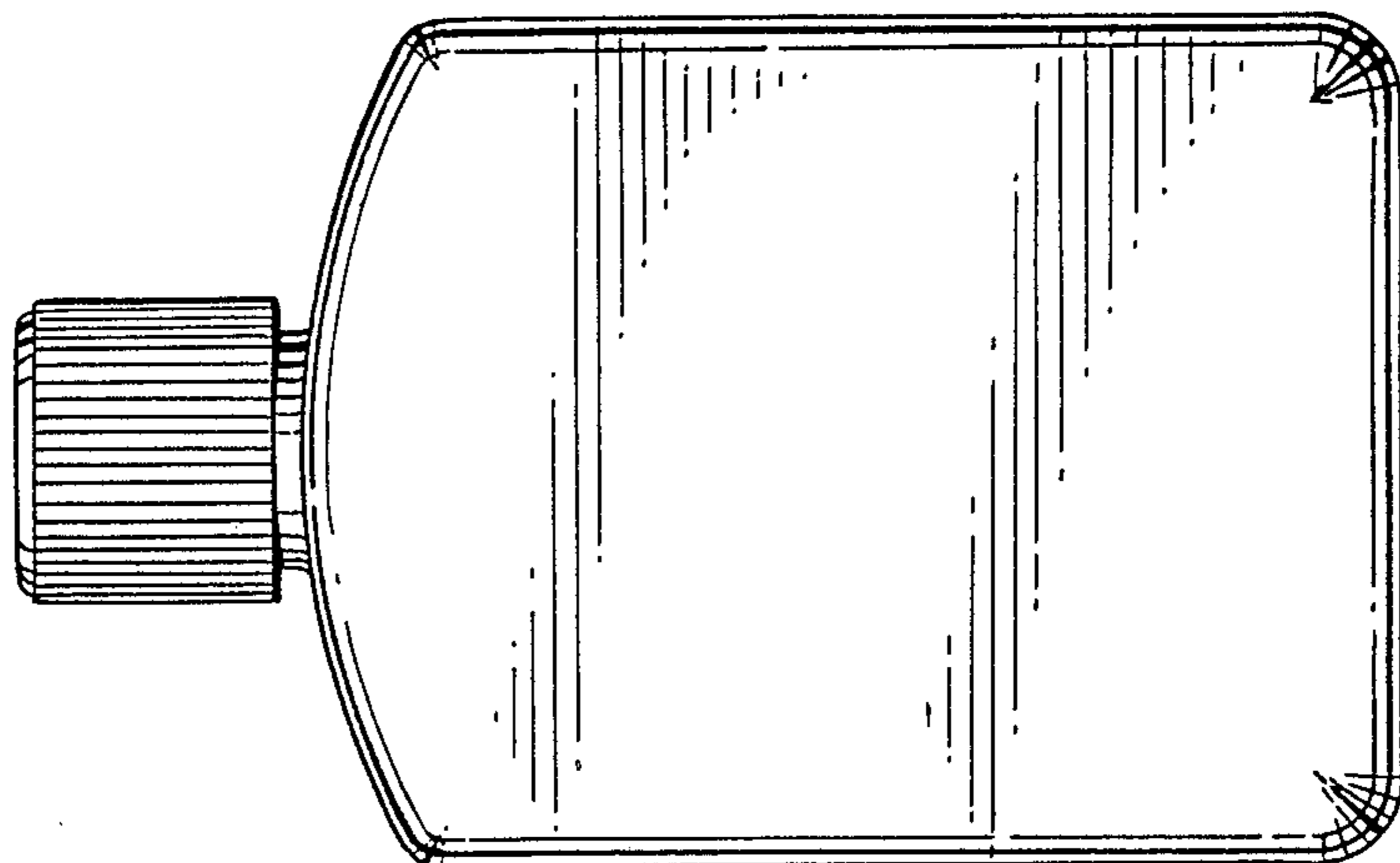


FIG. 5

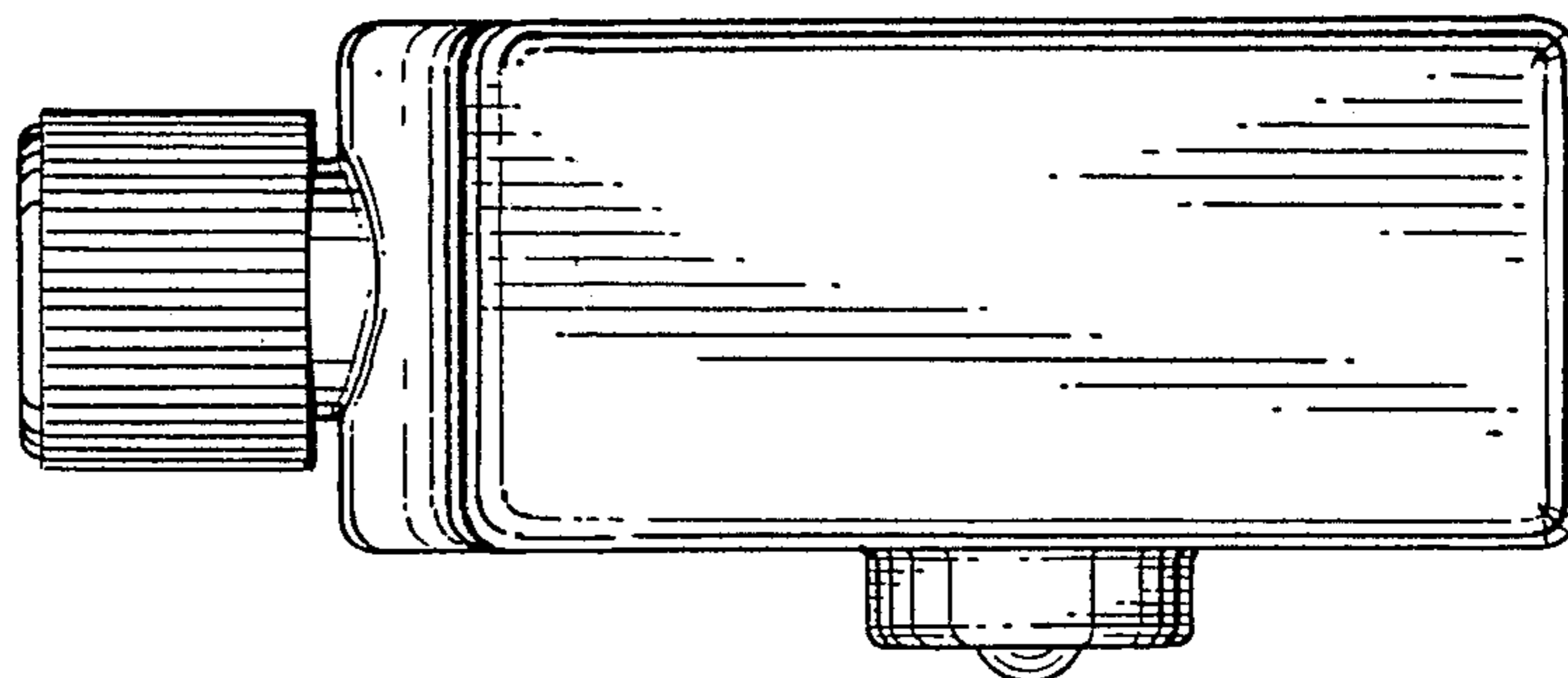


FIG. 4

