

[54] CABINET

[76] Inventor: Mark J. Feller, 89 Meadowwood Dr. C-3, Carbondale, Colo. 81623

[**] Term: 14 Years

[21] Appl. No.: 54,681

[22] Filed: May 27, 1987

[52] U.S. Cl. D6/471; D6/446

[58] Field of Search D6/443, 448, 432, 470, D6/471, 467, 475; 312/135, 164; 211/70.3, 69.1

[56] References Cited

U.S. PATENT DOCUMENTS

- D. 259,847 7/1981 Hamby D6/467 X
- D. 268,368 3/1983 Moss D6/471 X
- D. 277,350 1/1985 Smith D6/471
- D. 283,861 5/1986 Cantolino D6/475 X

- 1,089,593 3/1914 Skall 312/114
- 2,300,799 11/1942 Nausbaum 211/70.3 X

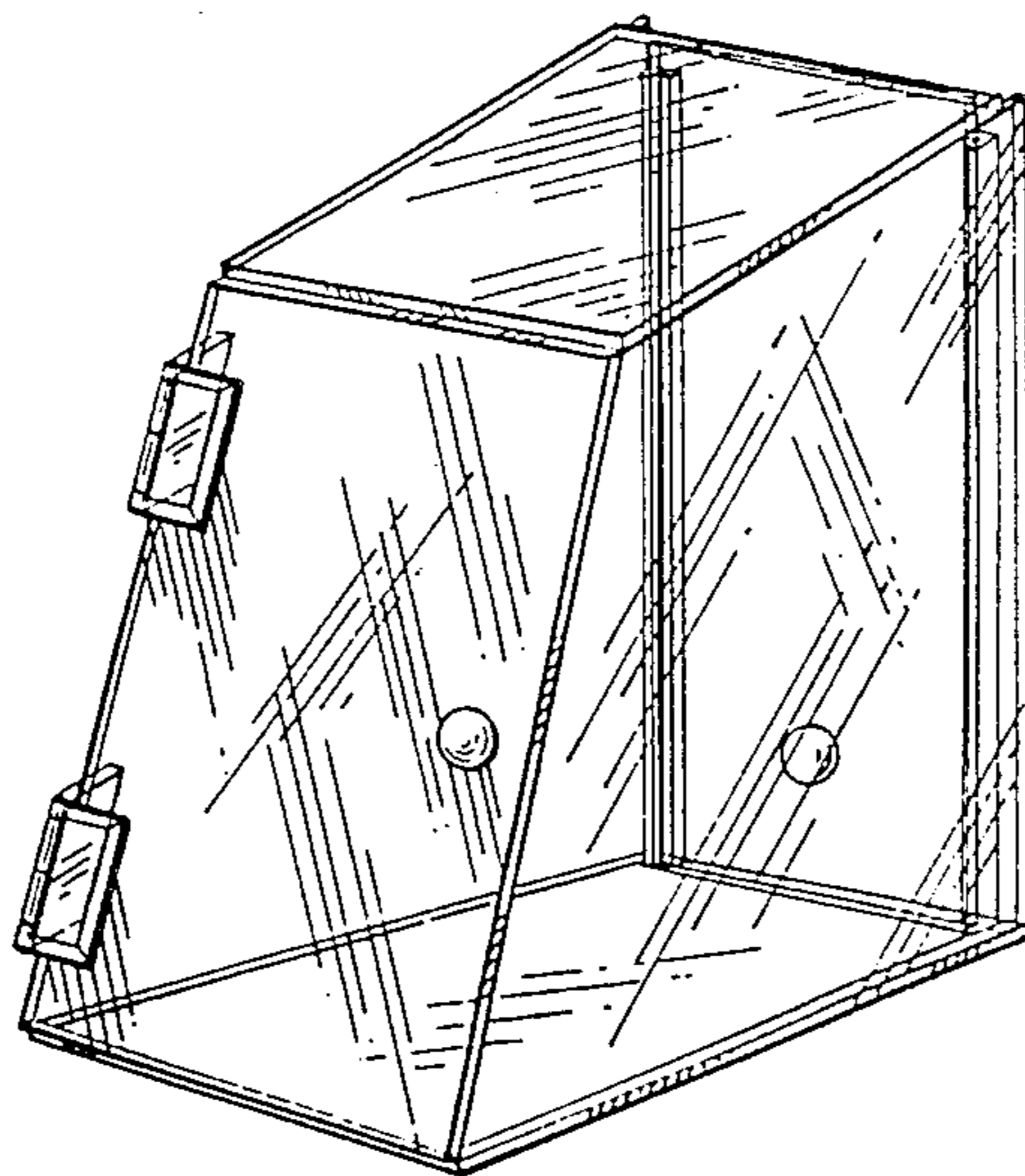
Primary Examiner—Bruce W. Dunkins
Assistant Examiner—Jeffrey Asch
Attorney, Agent, or Firm—Donald W. Margolis

[57] CLAIM

The ornamental design for a cabinet, as shown and described.

DESCRIPTION

FIG. 1 is a perspective view of a cabinet showing my new design;
FIG. 2 is a right side elevational view thereof;
FIG. 3 is a front elevational view thereof;
FIG. 4 is a left side elevational view thereof;
FIG. 5 is a bottom plan view thereof;
FIG. 6 is a rear elevational view thereof; and
FIG. 7 is a top plan view of thereof.



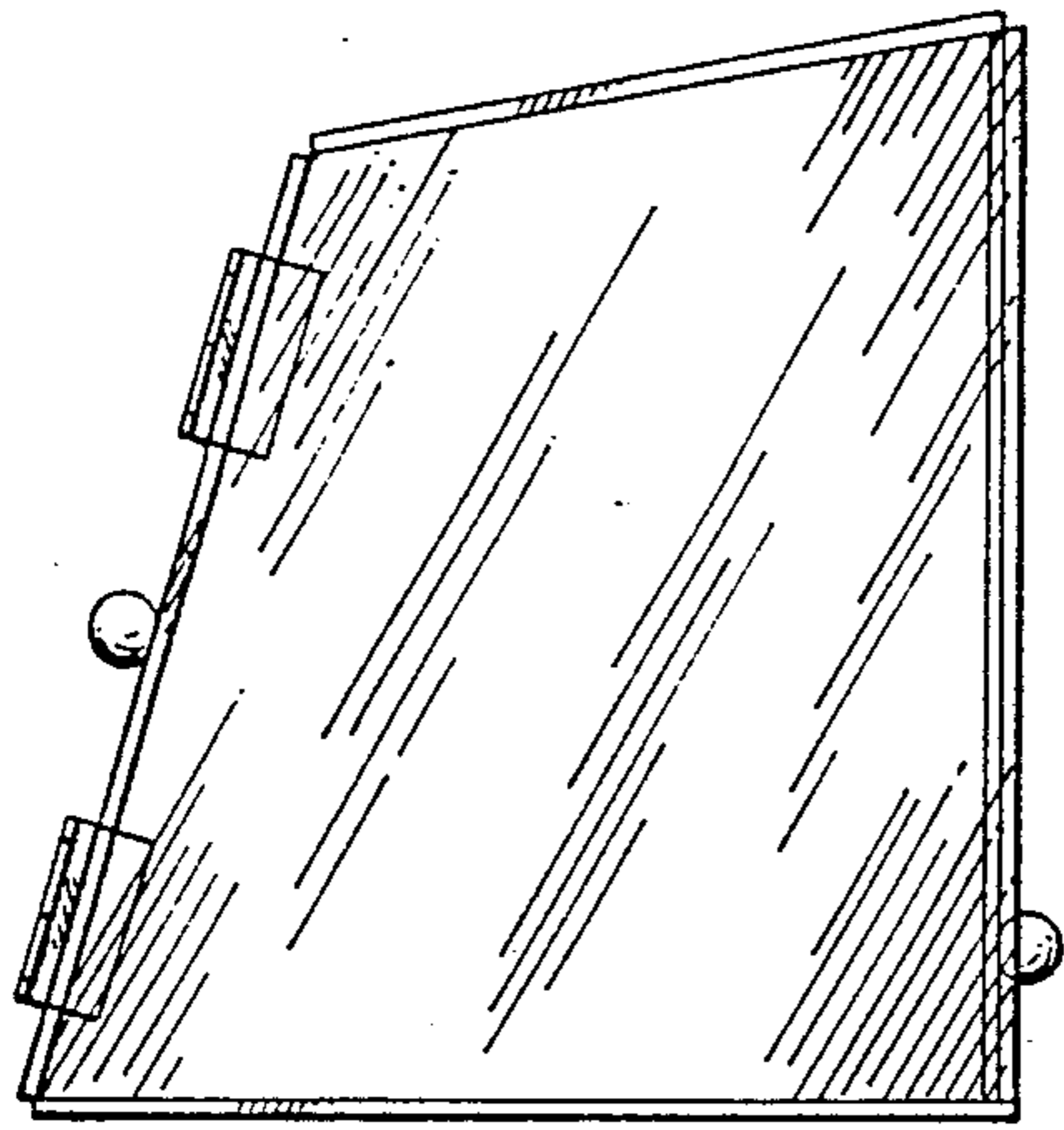


FIG. 2.

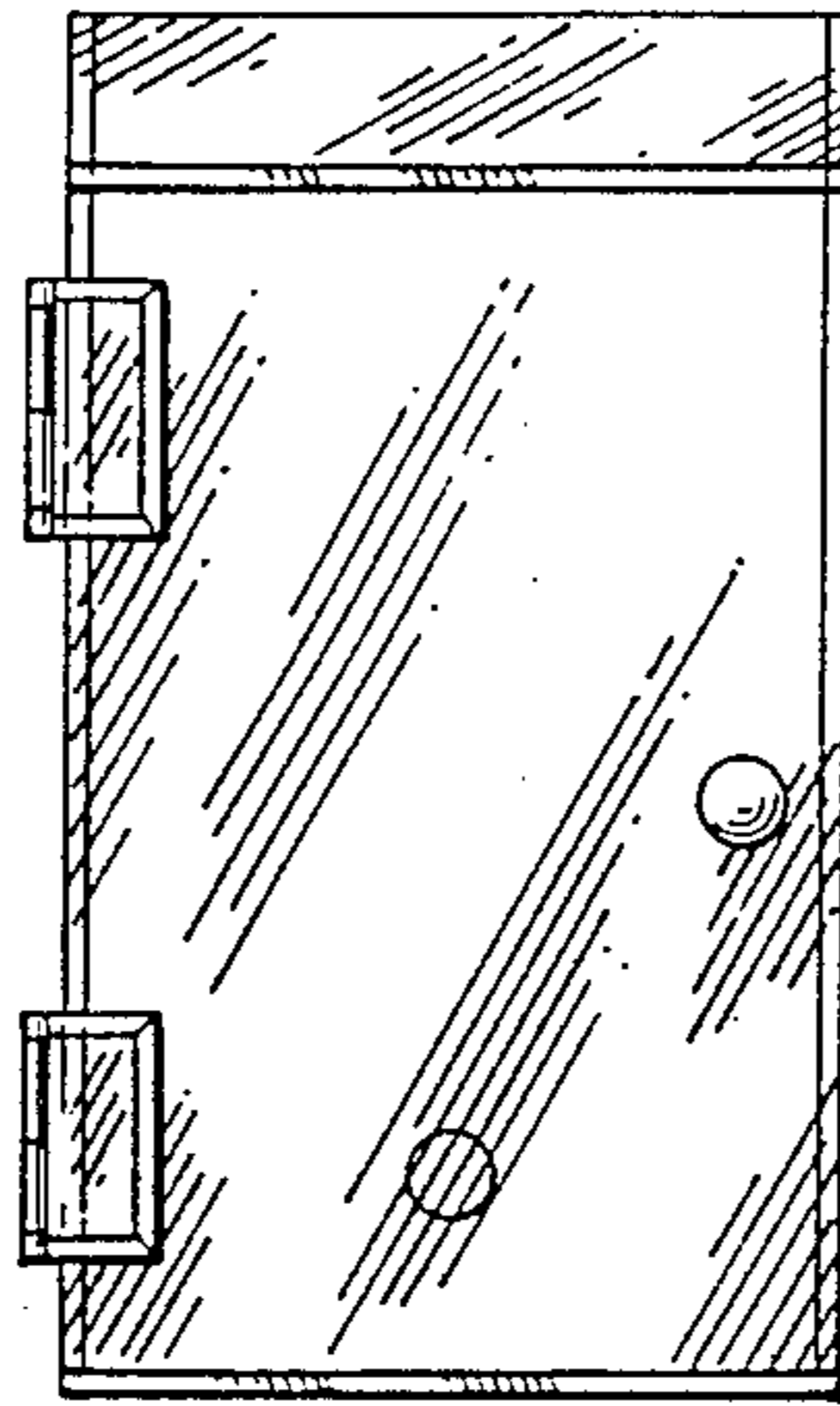


FIG. 3.

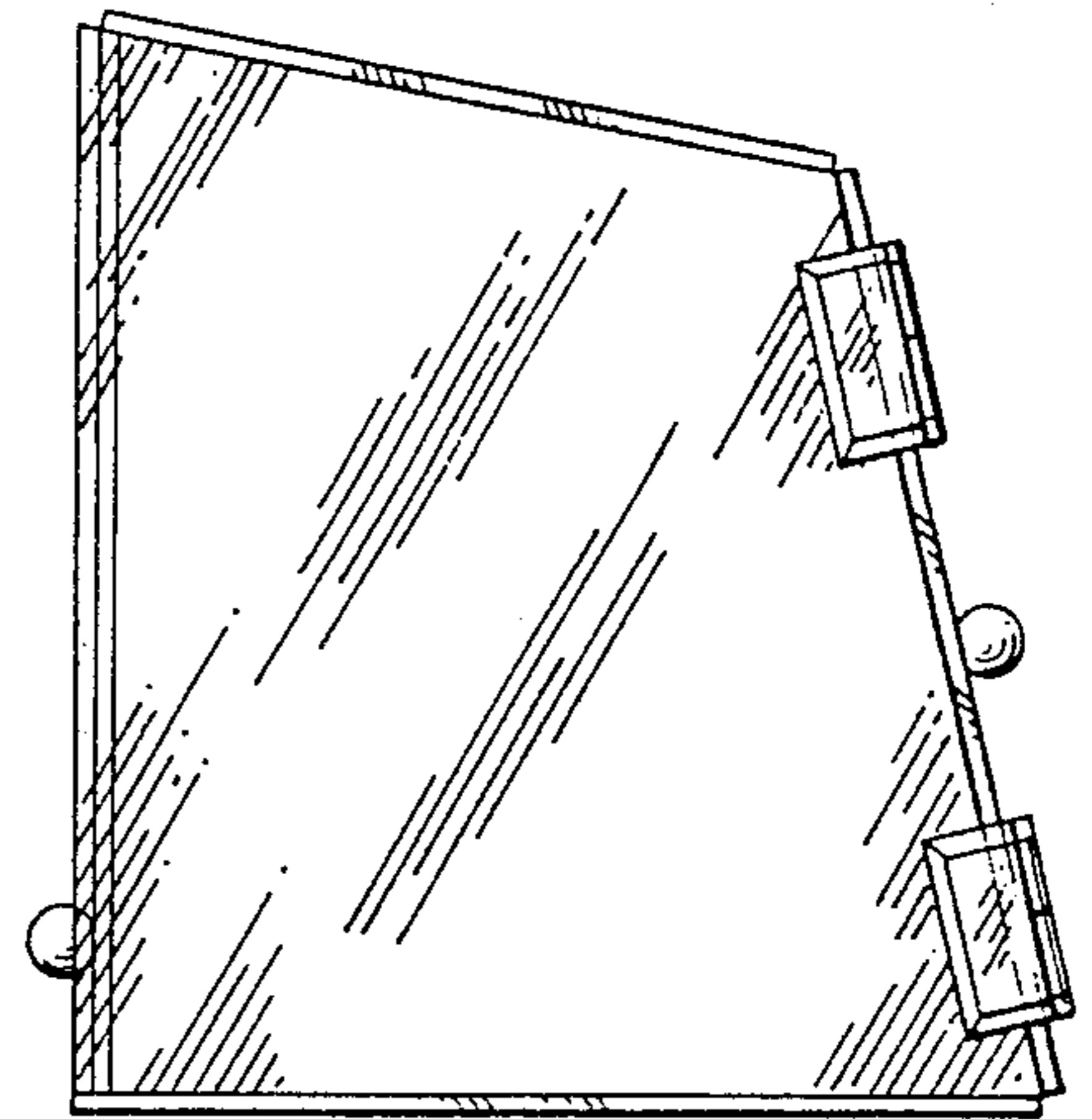


FIG. 4.

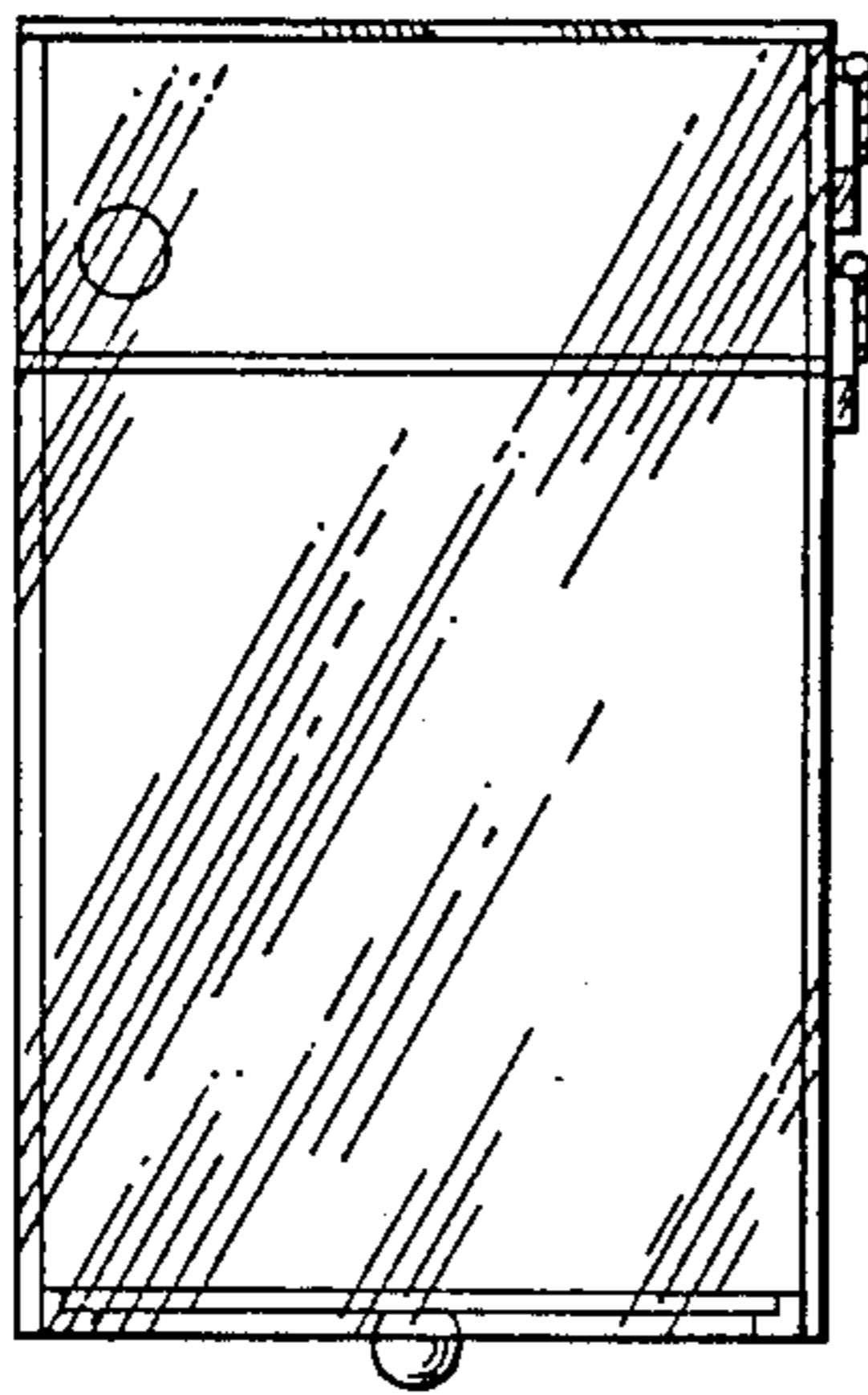


FIG. 5.

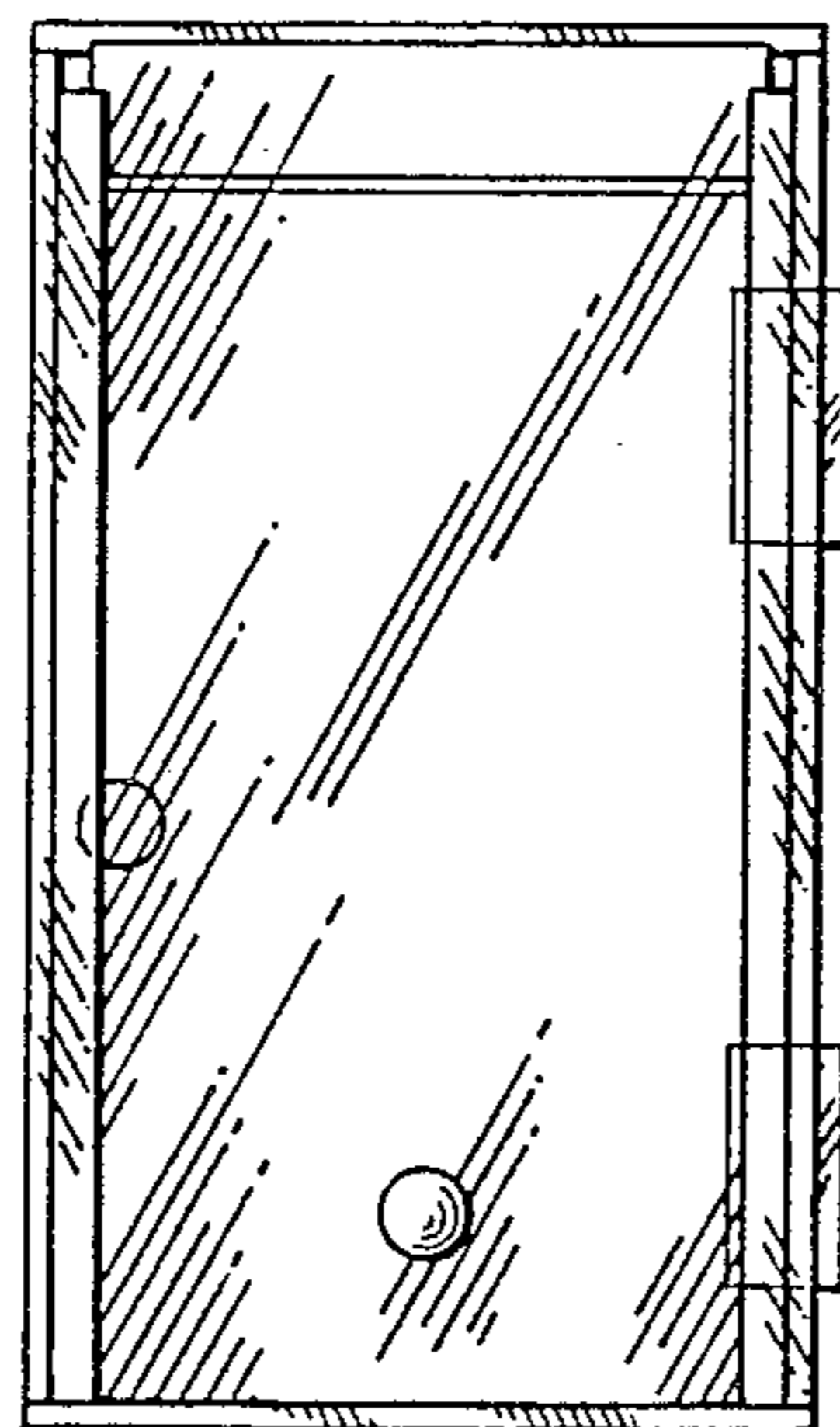


FIG. 6.

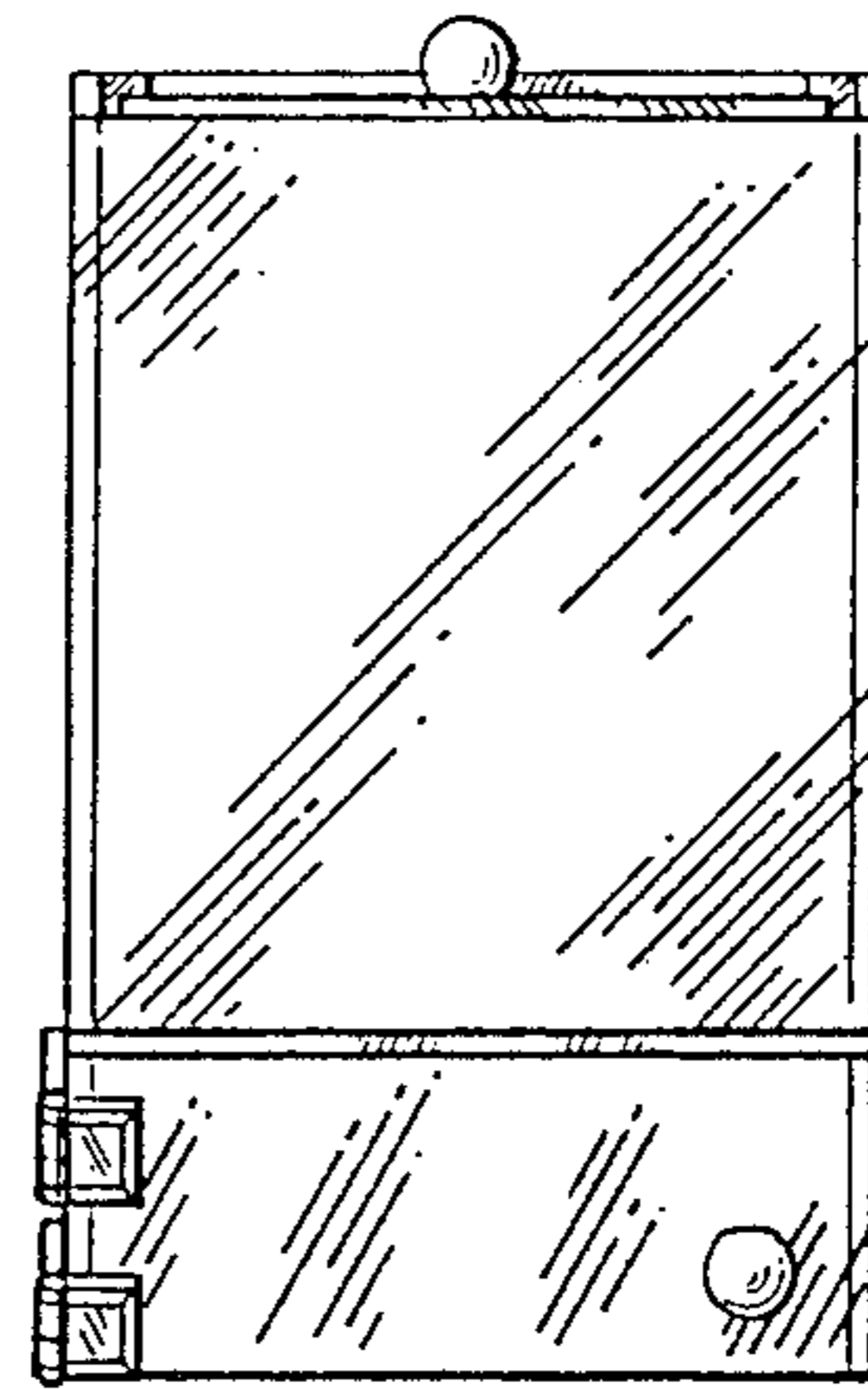


FIG. 7.

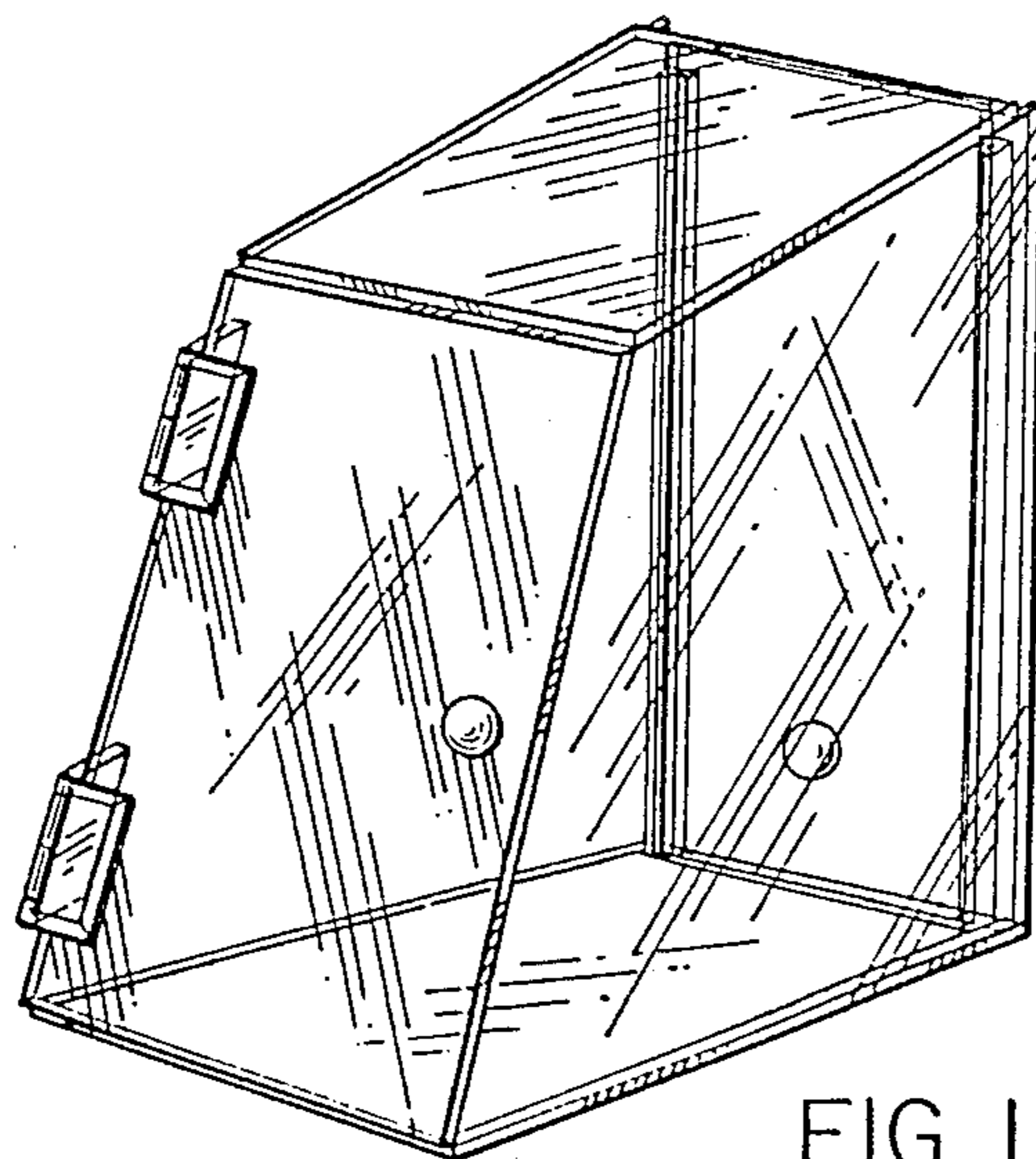


FIG. 1.