

[54] COMBINED FOOTSTOOL AND ADJUSTABLE TABLE

[76] Inventor: Stella M. Pevsner, 1540 N. State Pkwy., Apt. 16C, Chicago, Ill. 60610

[**] Term: 14 Years

[21] Appl. No.: 88,603

[22] Filed: Aug. 24, 1987

[52] U.S. Cl. D6/397; D6/429; D6/430; D6/349; D6/336

[58] Field of Search D6/480, 482-488, D6/495, 498, 499, 511, 429, 349, 397, 430, 336

[56] References Cited

U.S. PATENT DOCUMENTS

D. 151,983	12/1948	Guertin	D6/336
D. 161,601	1/1951	Vella	D6/480 X
D. 176,928	2/1956	Puglia et al.	D6/480 X
D. 224,825	9/1972	Jenkins	D6/486
D. 250,863	1/1979	Berti	D6/486 X
D. 281,208	11/1985	Rabtery	D6/483 X
D. 295,474	3/1988	Uredat-Neuhoff	D6/484
D. 297,080	8/1988	Heuberg	D6/430
D. 300,884	5/1989	Friedman	D6/349 X

OTHER PUBLICATIONS

Crump Hassocks, Fall & Winter, 1949, p. 11, Hassock, center left.

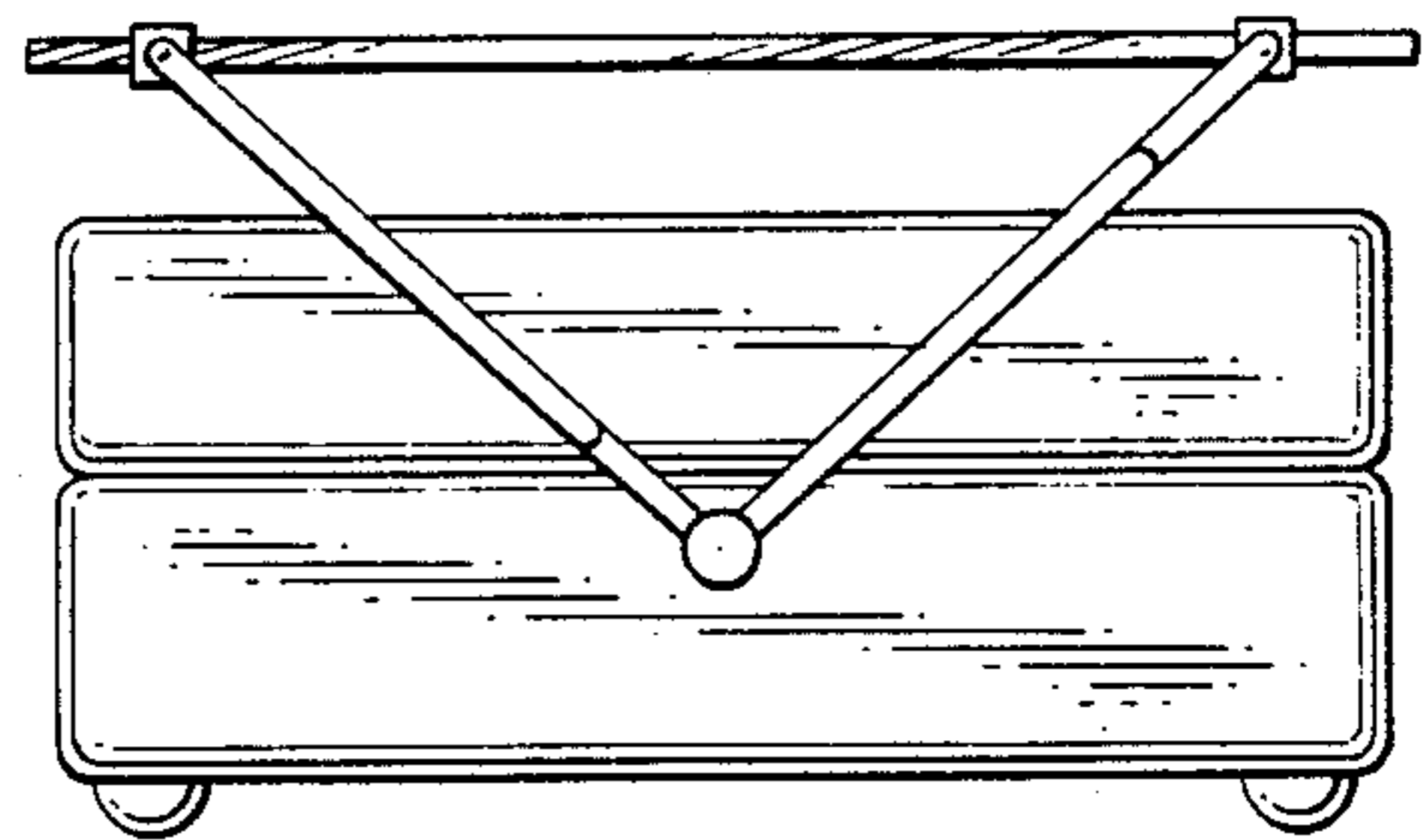
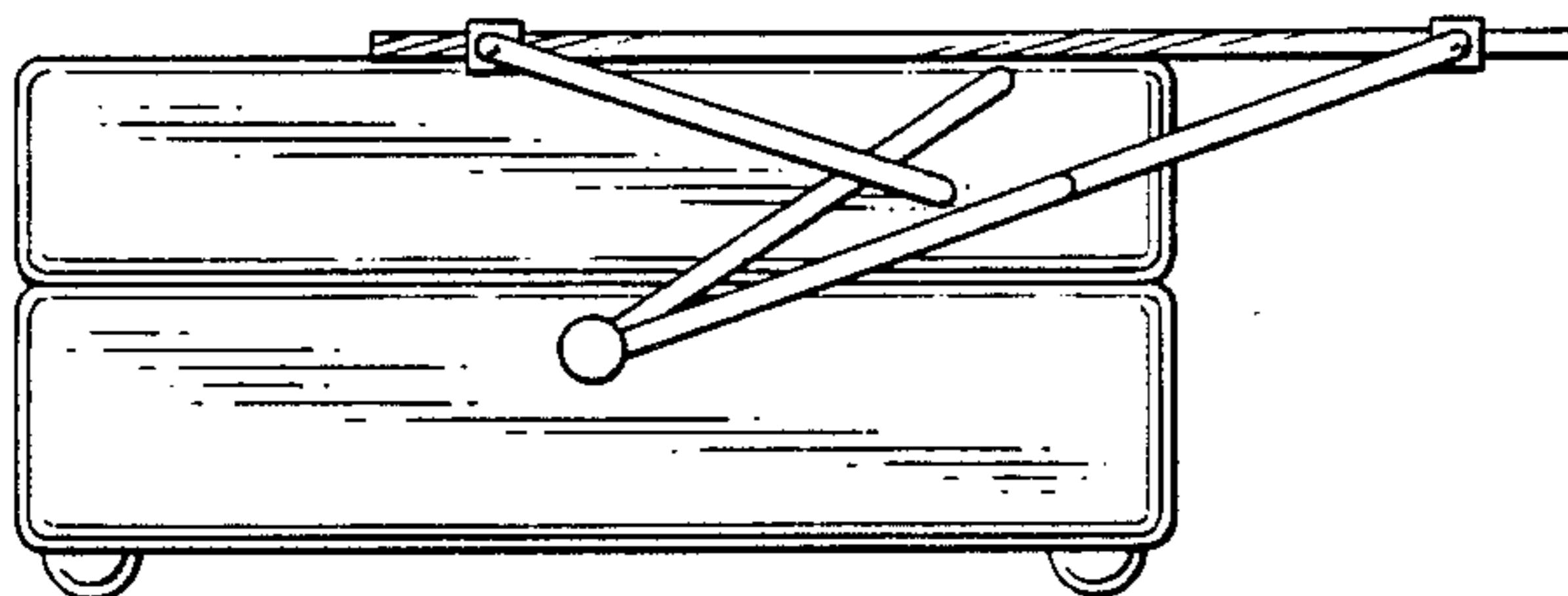
Primary Examiner—Bruce W. Dunkins
Assistant Examiner—Janice Seeger
Attorney, Agent, or Firm—Mason, Kolehmainen, Rathburn & Wyss

[57] CLAIM

The ornamental design for a combined footstool and adjustable table, as shown.

DESCRIPTION

FIG. 1 is a plan view of a combined footstool and adjustable table embodying the design of the invention; FIG. 2 is a side elevational view of the combined footstool and adjustable table of FIG. 1; FIG. 3 is an end elevational view the opposite end being a mirror image thereof; FIG. 4 is a side elevational view of the combined footstool and adjustable table of FIG. 1 showing the side opposite to that shown in FIG. 2; FIG. 5 is a plan view of the combined footstool and adjustable table of FIG. 1 showing the table in an alternate position; FIG. 6 is a side elevational view of the combined footstool and adjustable table in the position of FIG. 5; and FIG. 7 is an end elevational view of the combined footstool and adjustable table in the position of FIG. 5.



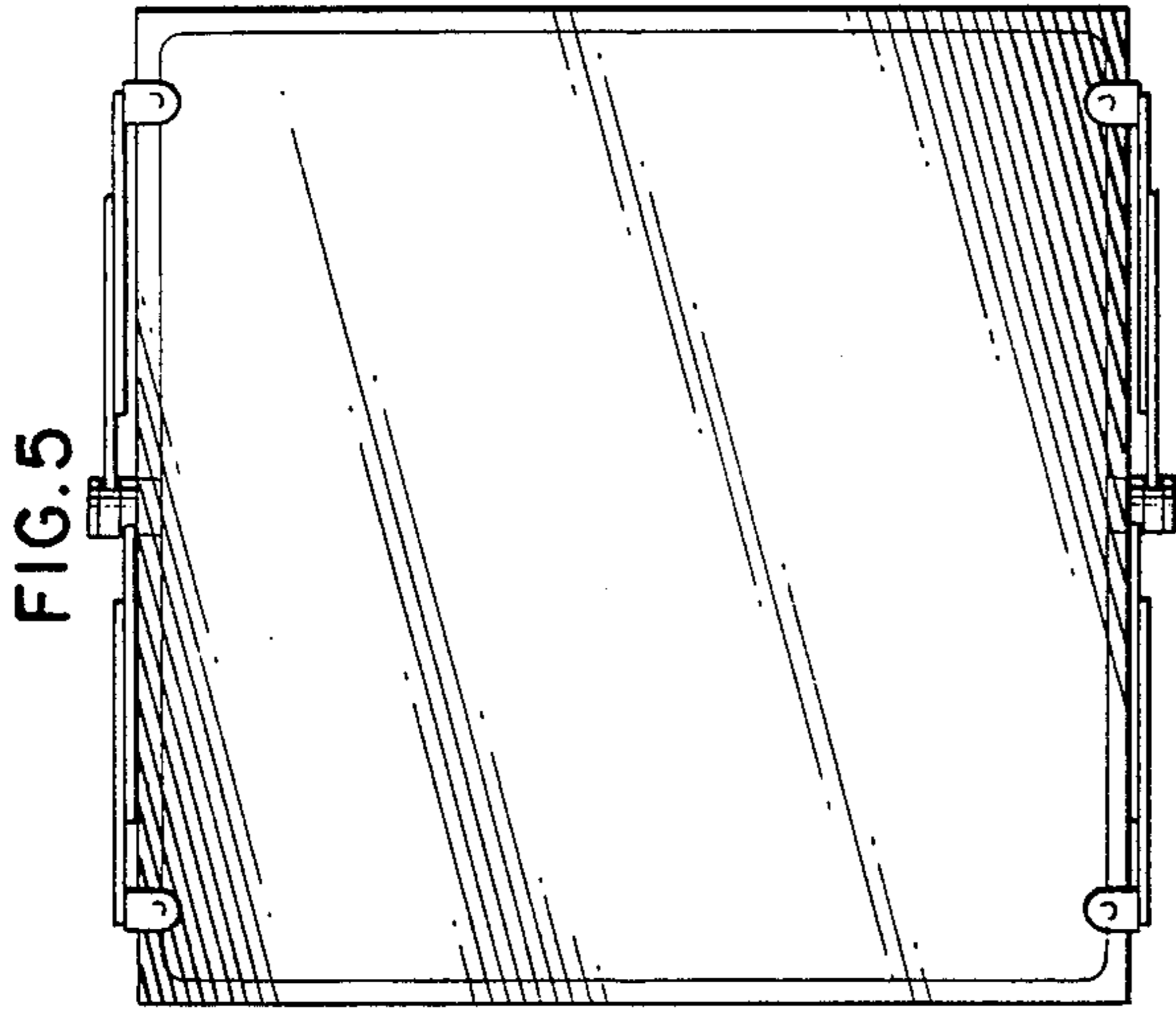


FIG. 1

FIG. 5

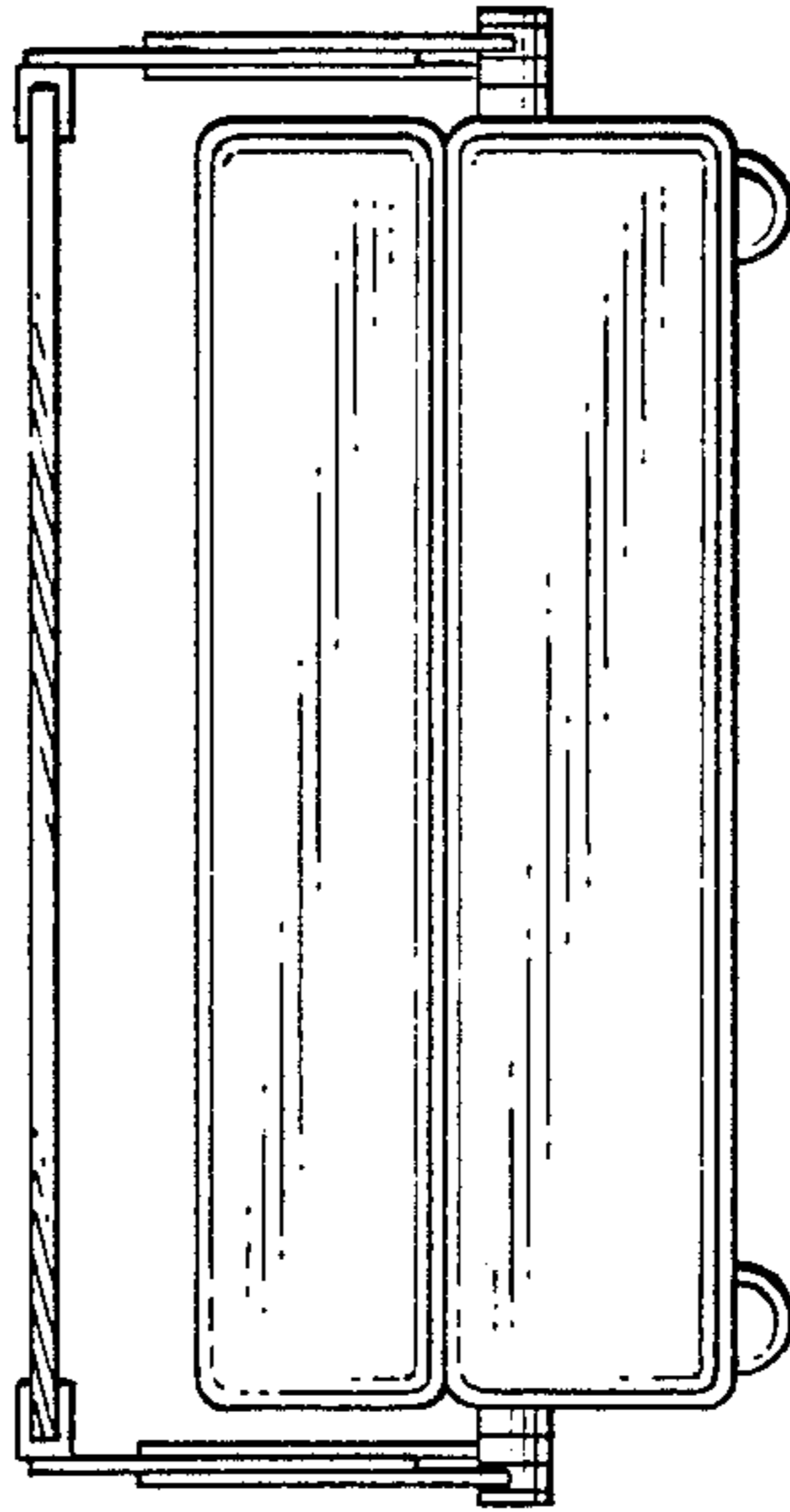
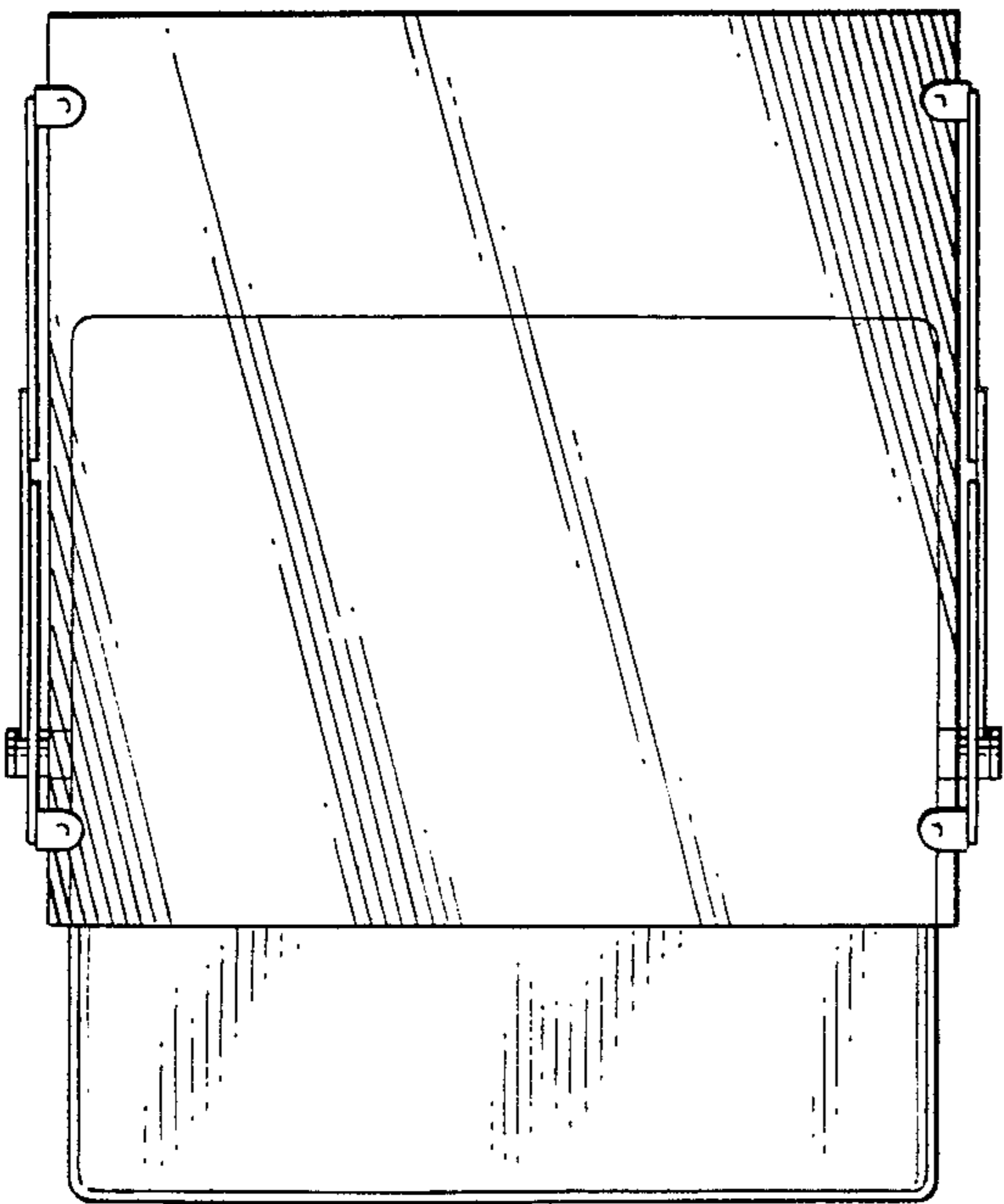


FIG. 3

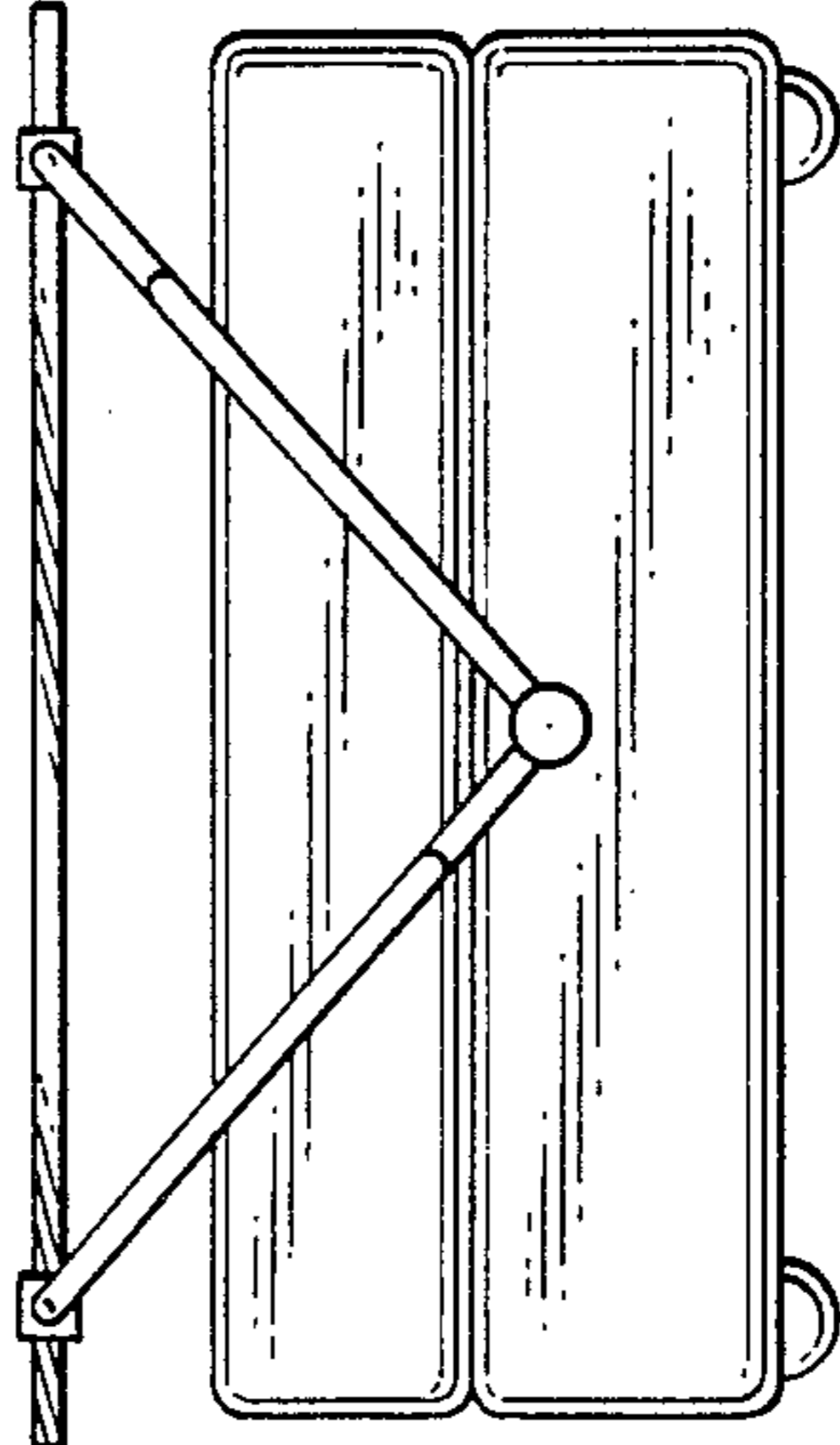


FIG. 4

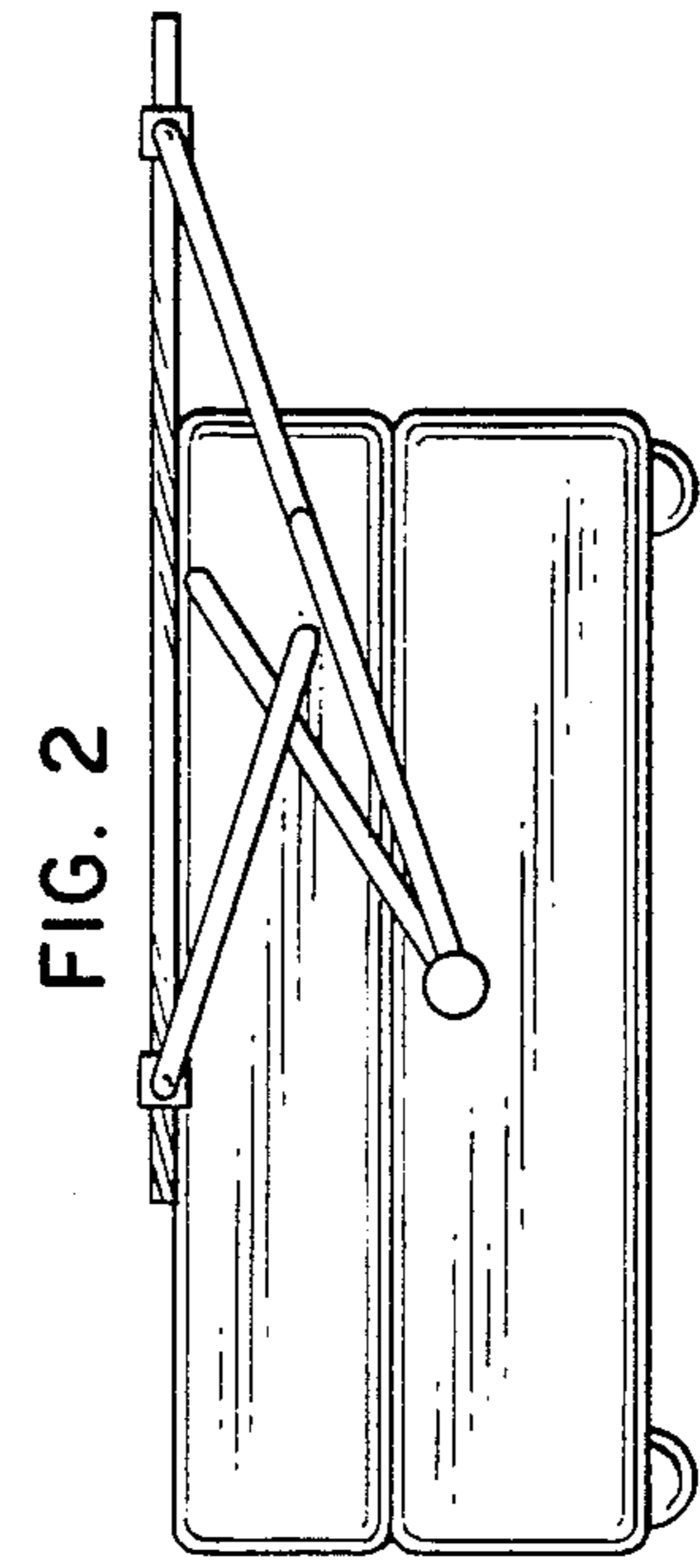


FIG. 5

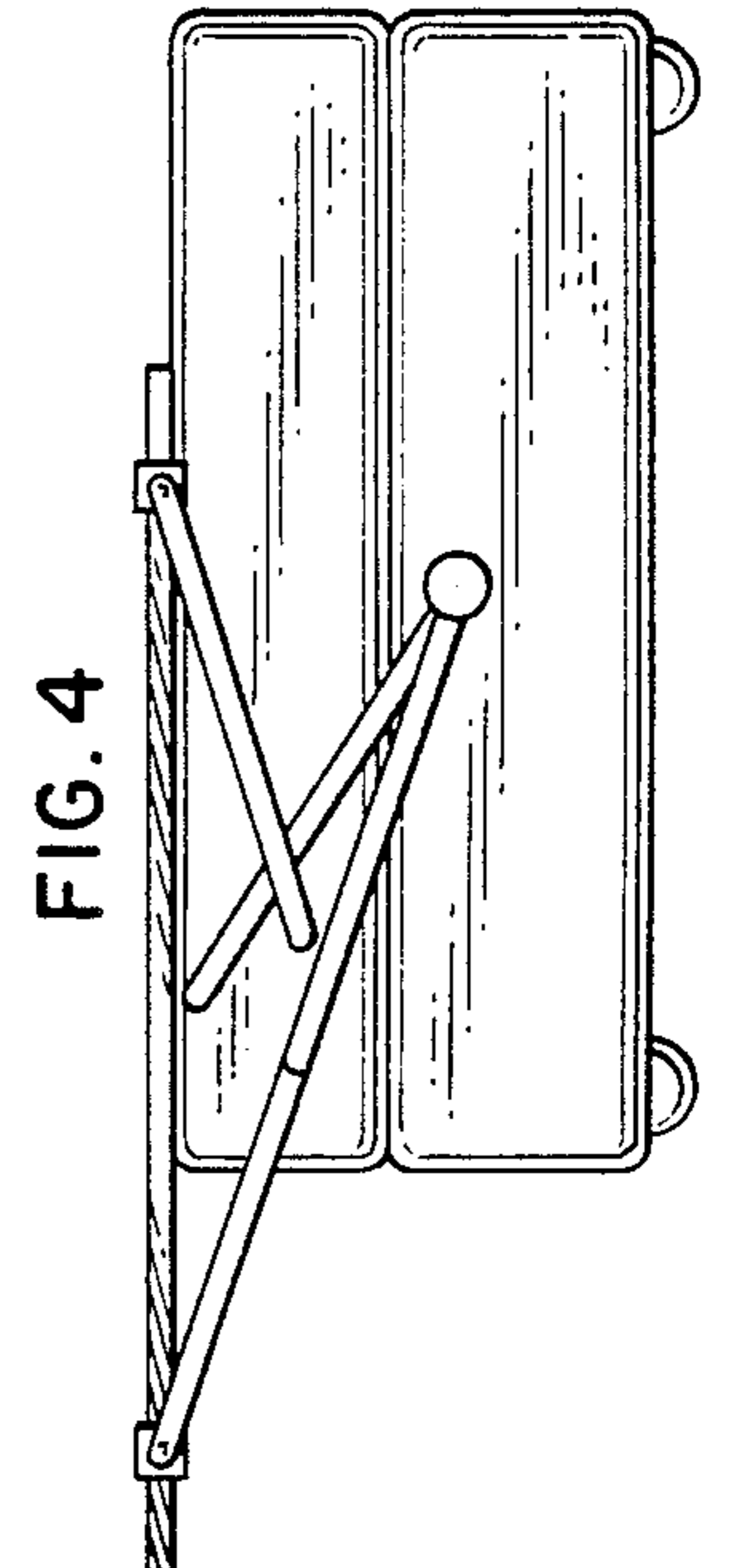


FIG. 6

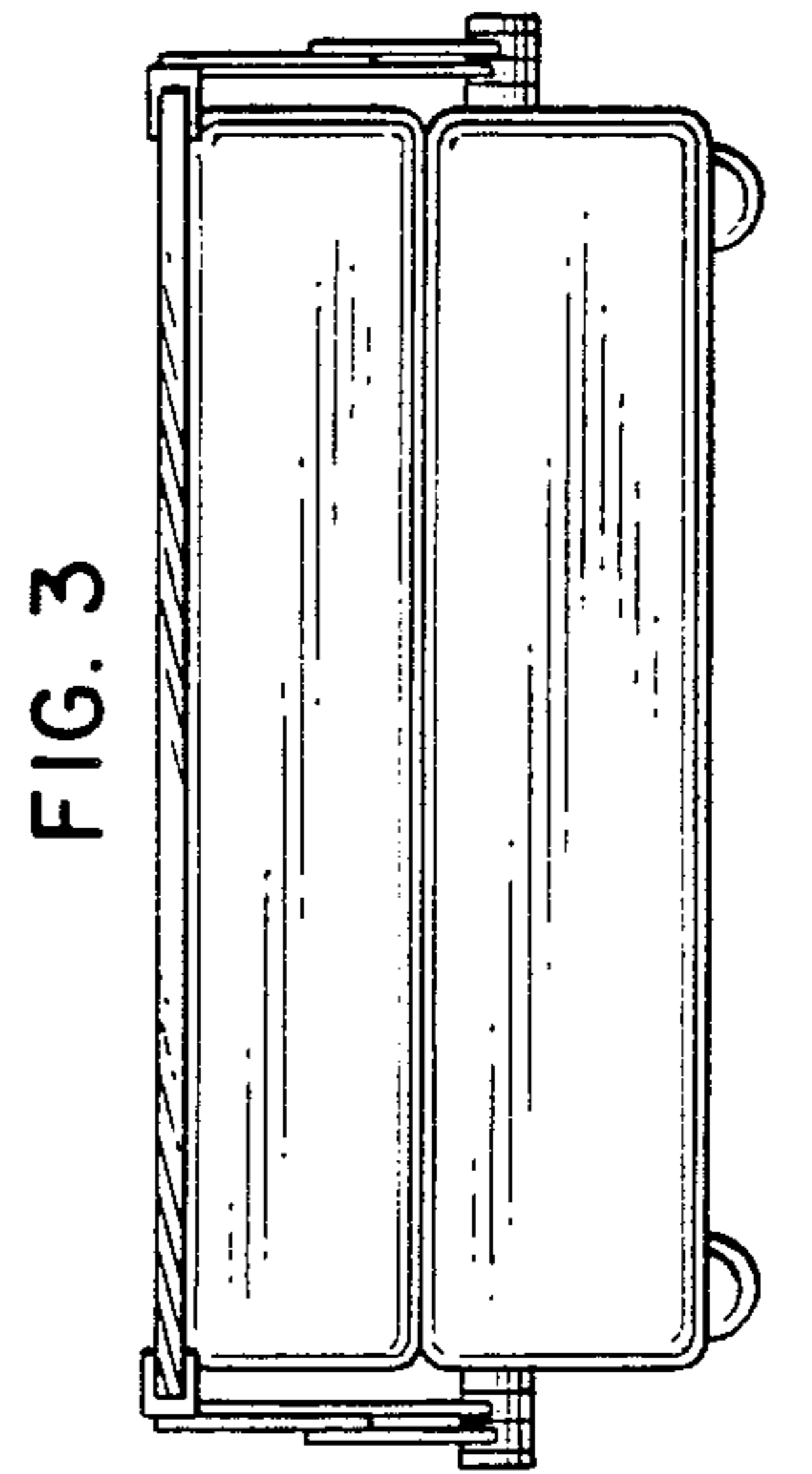


FIG. 7