

[54] **KNIFE KEY HOLDER**

[76] **Inventor: Sumner B. MacDonald, 39 Sea Breeze La., Bristol, R.I. 02809**

[**] **Term: 14 Years**

[21] **Appl. No.: 67,170**

[22] **Filed: Jun. 29, 1987**

[52] **U.S. Cl. D3/62**

[58] **Field of Search D3/61-64;
70/456 R, 457-460, 469; 24/230.5, 241 PS, 241
SL, 241 SP, 241 SB, 239, 241 SL**

[56] **References Cited**

U.S. PATENT DOCUMENTS

2,896,290 7/1959 Salm et al. 24/239
3,906,763 9/1975 Bochary D3/61
4,713,951 12/1987 Ros 70/456 R

OTHER PUBLICATIONS

New York Times 12, 13, 1936 XD 10/31.

Primary Examiner—Louis S. Zarfes

Assistant Examiner—R. T. Seifert

[57] **CLAIM**

The ornamental design for a knife key holder, as shown and described.

DESCRIPTION

FIG. 1 is a front elevation of a knife key holder showing my new design;

FIG. 2 is a right side elevation thereof;

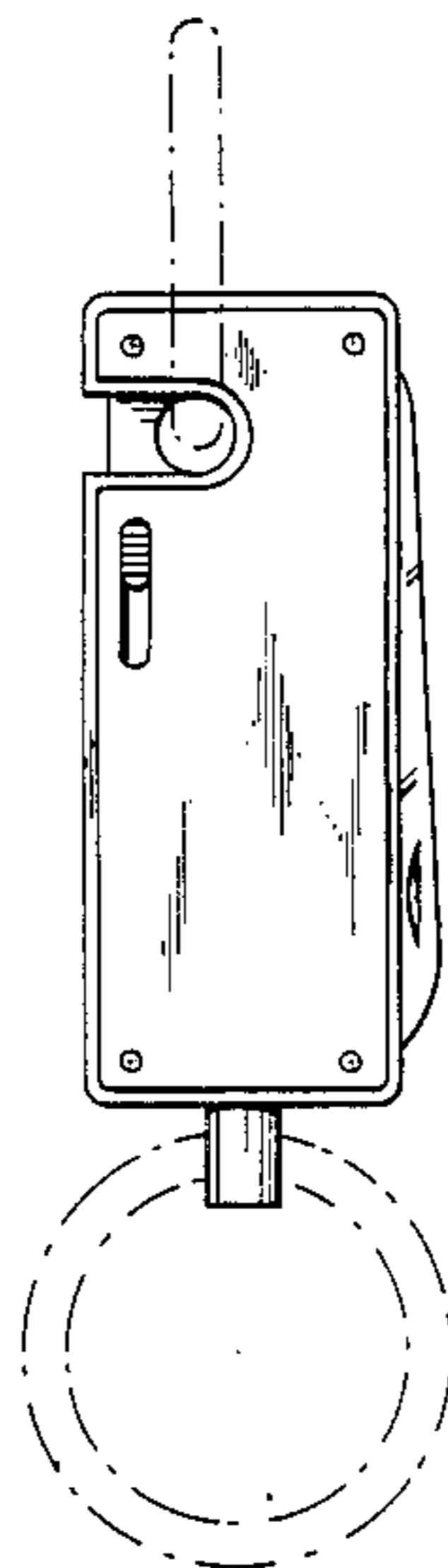
FIG. 3 is a back elevation thereof;

FIG. 4 is a top plan view thereof; and

FIG. 5 is a bottom plan view thereof;

FIG. 6 is a left side elevation thereof.

The broken line showing of key rings is for illustrative purposes only and forms no part of the claimed design.



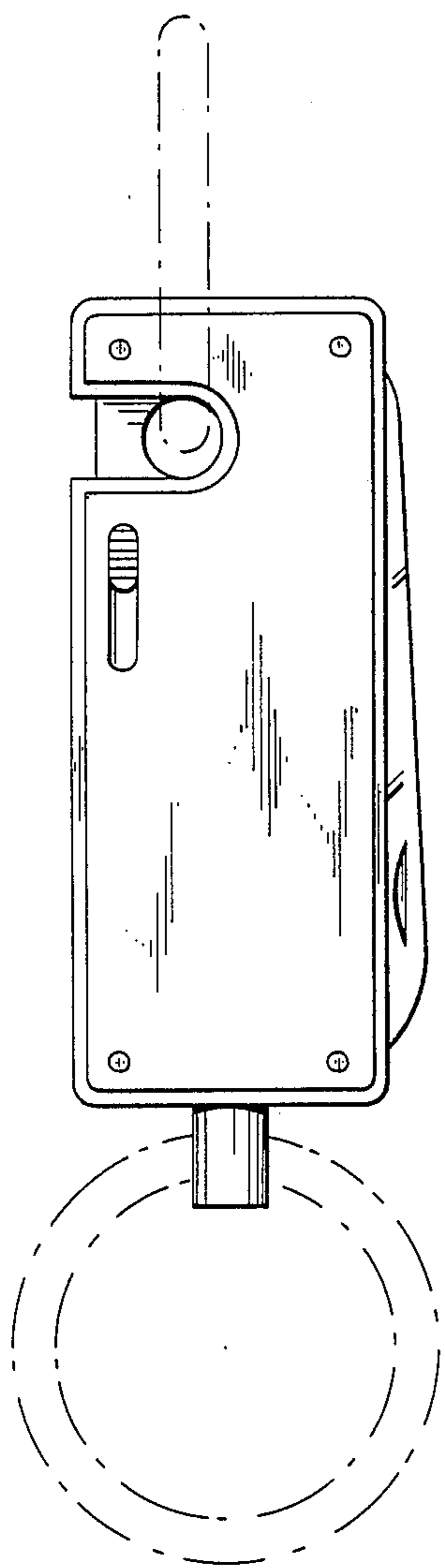


FIG. 1

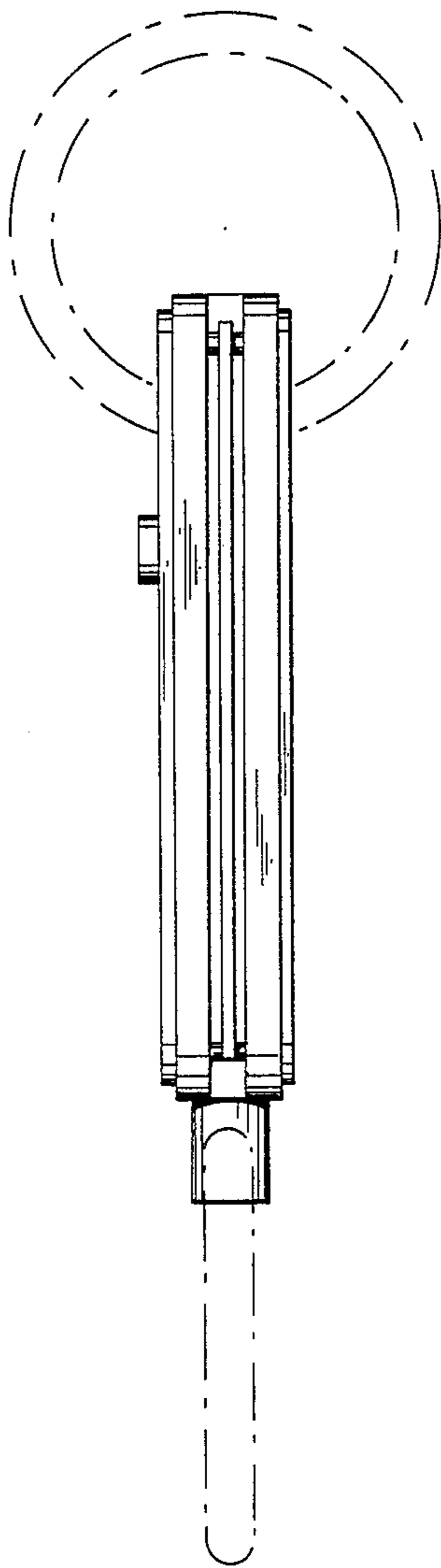


FIG. 2

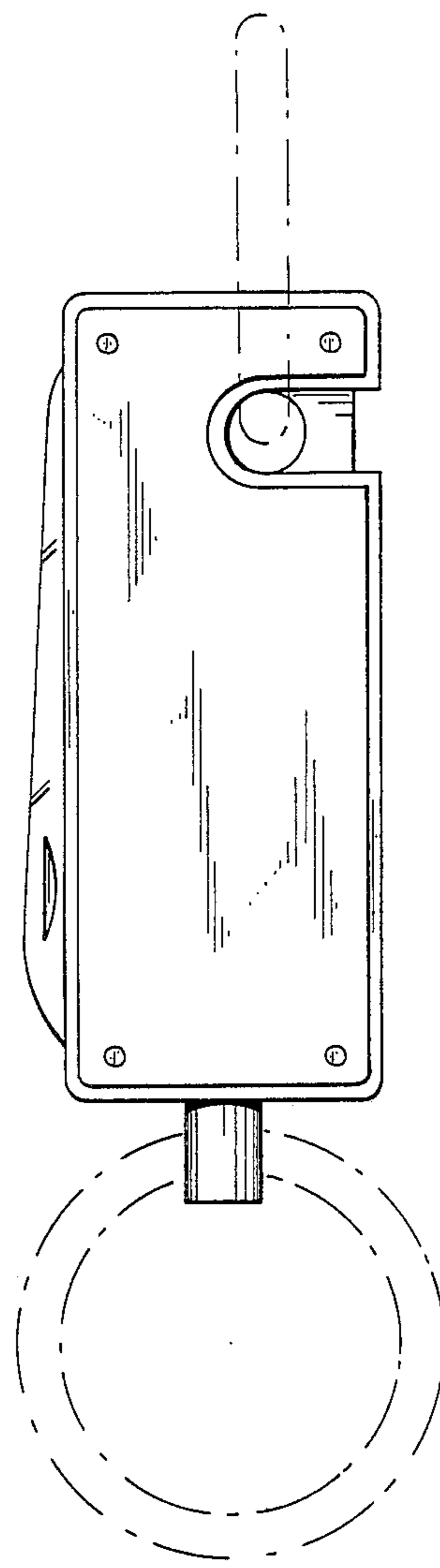


FIG. 3

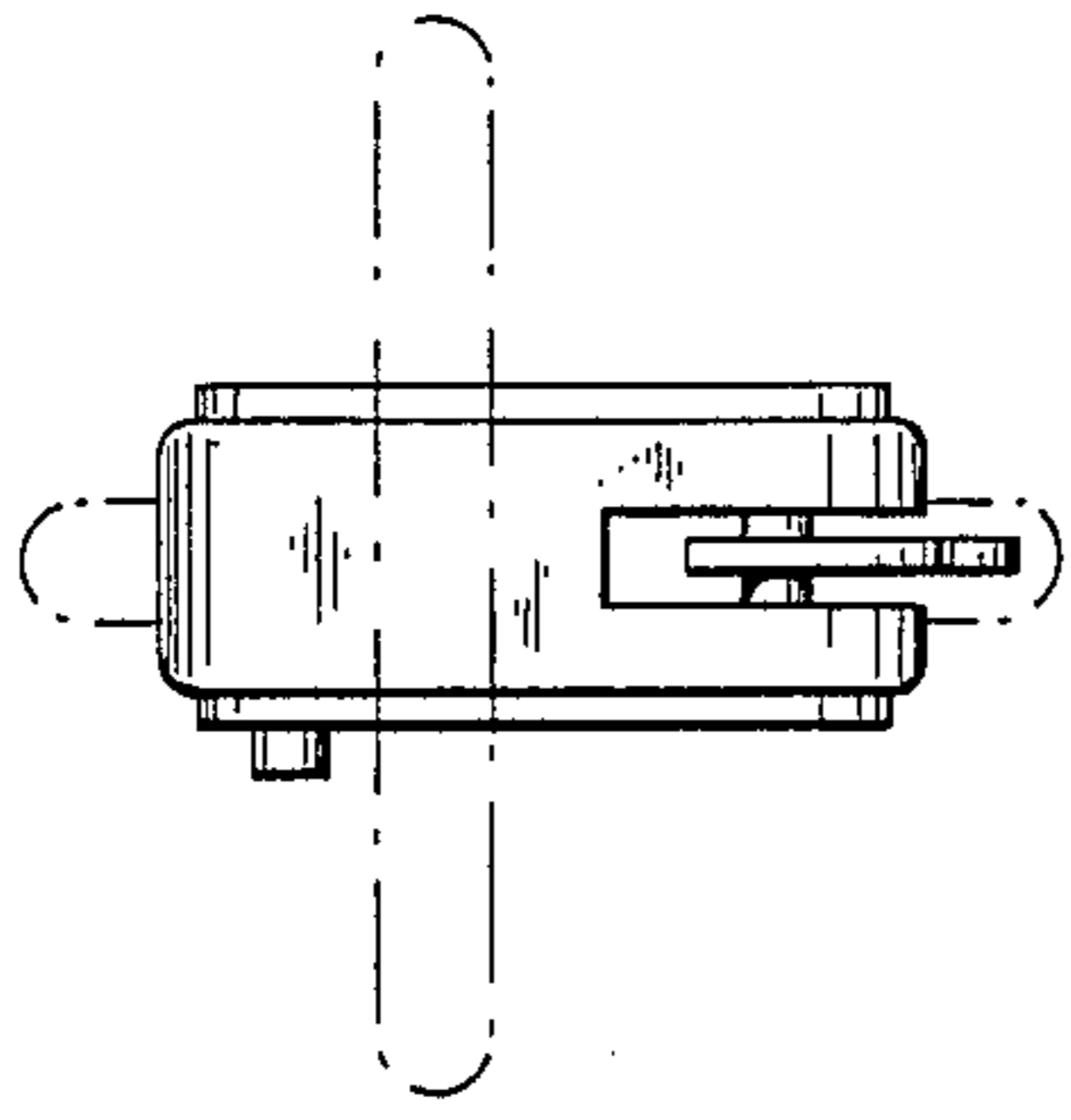


FIG. 4

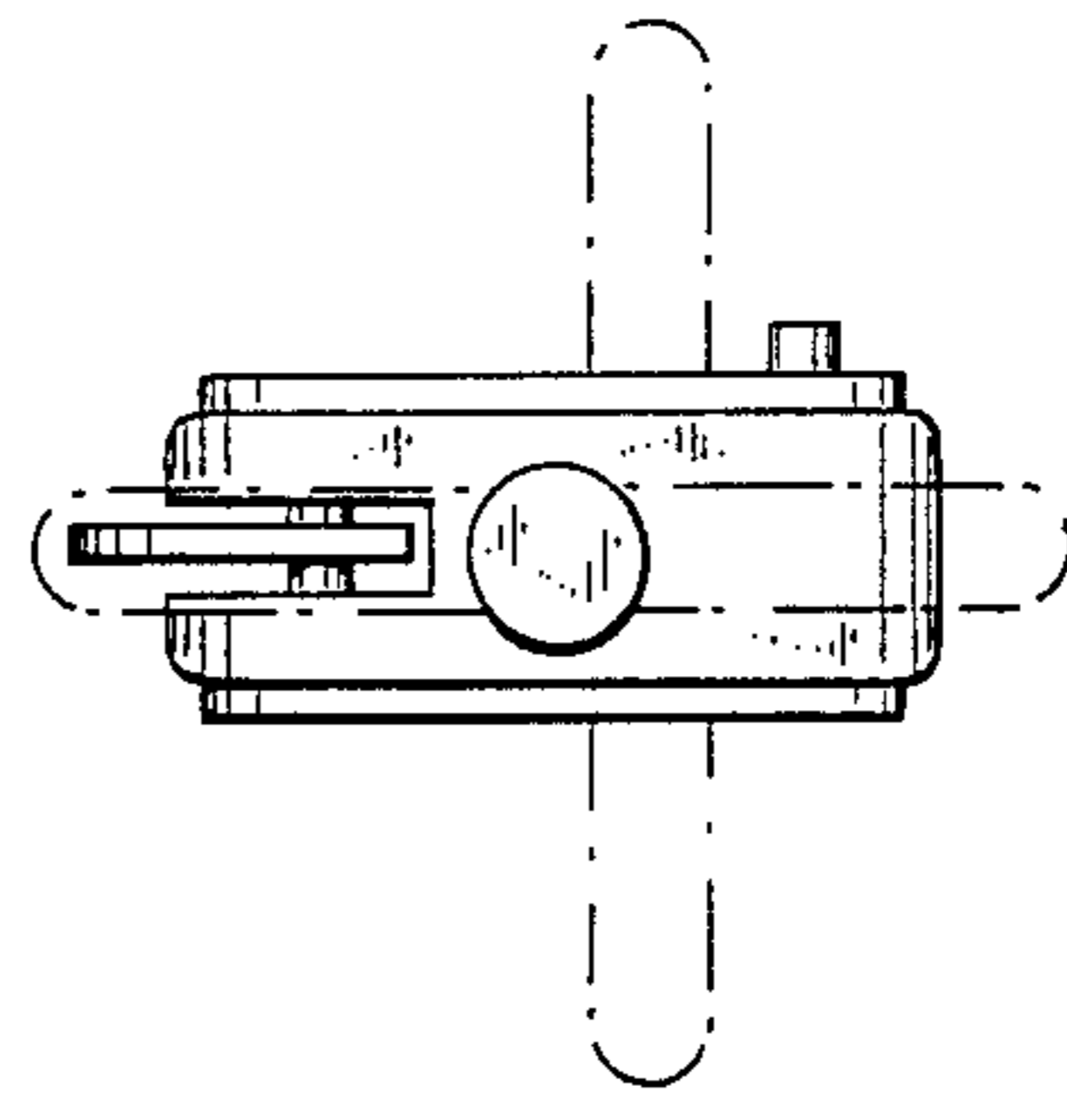


FIG. 5

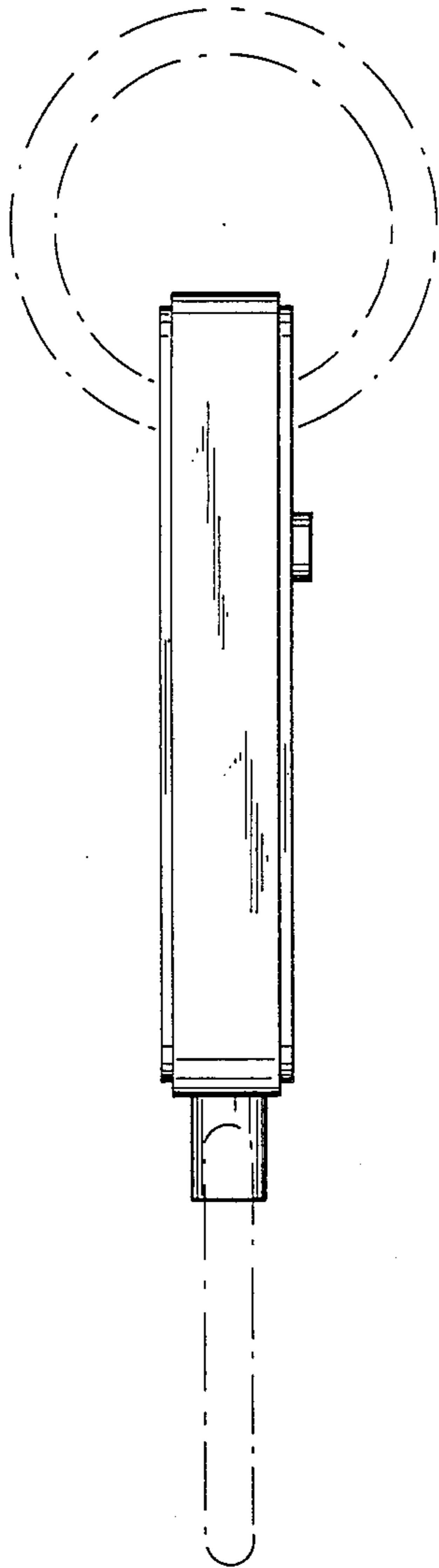


FIG. 6