

[54] **HAT**

[76] **Inventor: Scott W. MacDonald, 34 Abbey Road, Brampton, Ontario, Canada, L6W 2T8**

[**] **Term: 14 Years**

[21] **Appl. No.: 207,600**

[22] **Filed: Jun. 16, 1988**

[52] **U.S. Cl. D2/252**

[58] **Field of Search D2/509, 244, 246-247, D2/248, 250-254, 256-258; 2/171, 175, 177, 180, 195, 197-199, 9, 12, DIG. 11**

[56]

References Cited

U.S. PATENT DOCUMENTS

D. 221,262 7/1971 Marshall D21/228
D. 255,395 6/1980 Madison D2/247
D. 267,364 12/1982 De Lozada D2/247
4,771,477 9/1988 Cahill 2/12

Primary Examiner—A. Hugo Word

Assistant Examiner—Ruth McInroy

Attorney, Agent, or Firm—Rogers, Bereskin & Parr

[57]

CLAIM

The ornamental design for a hat, as shown.

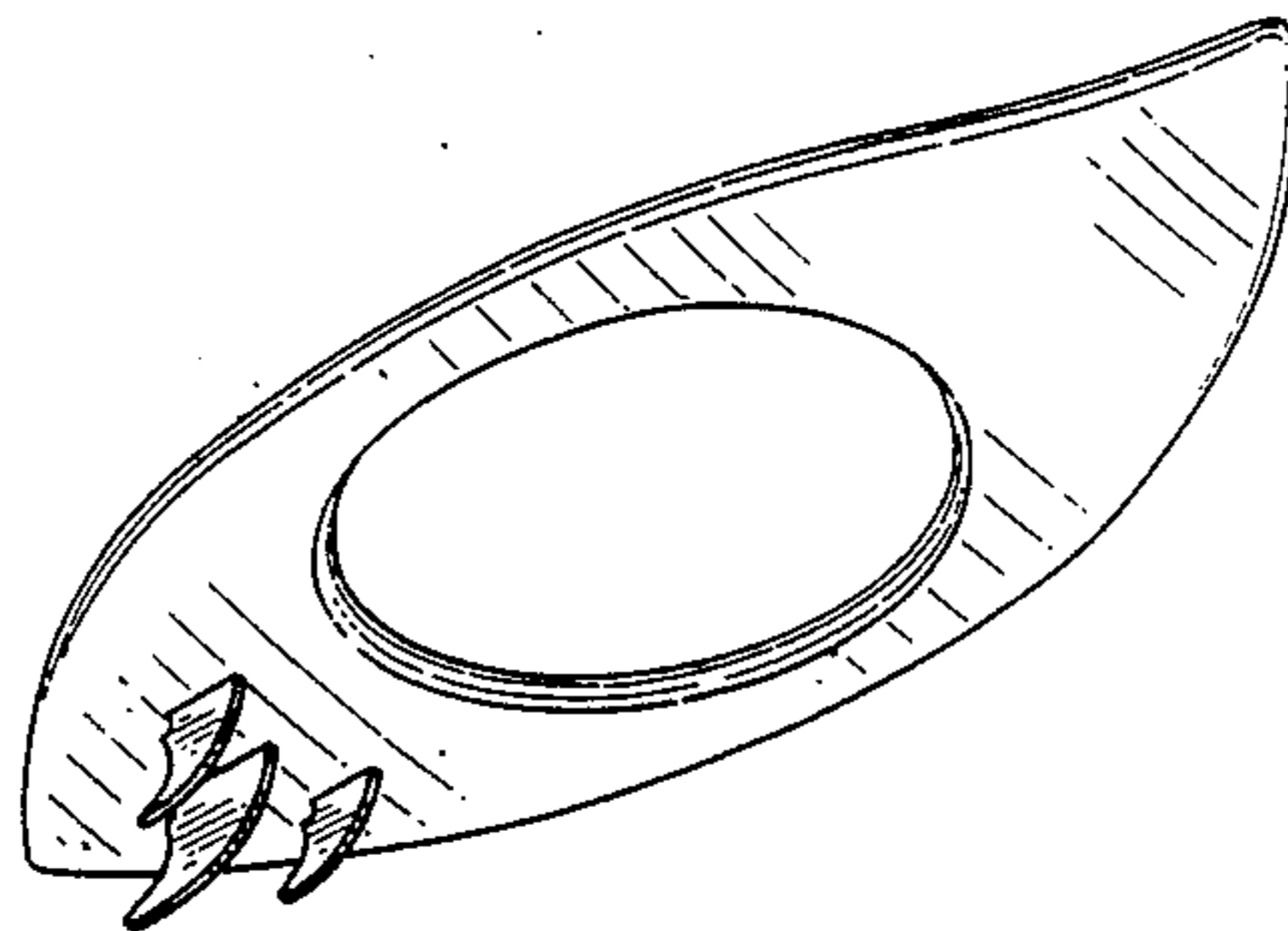
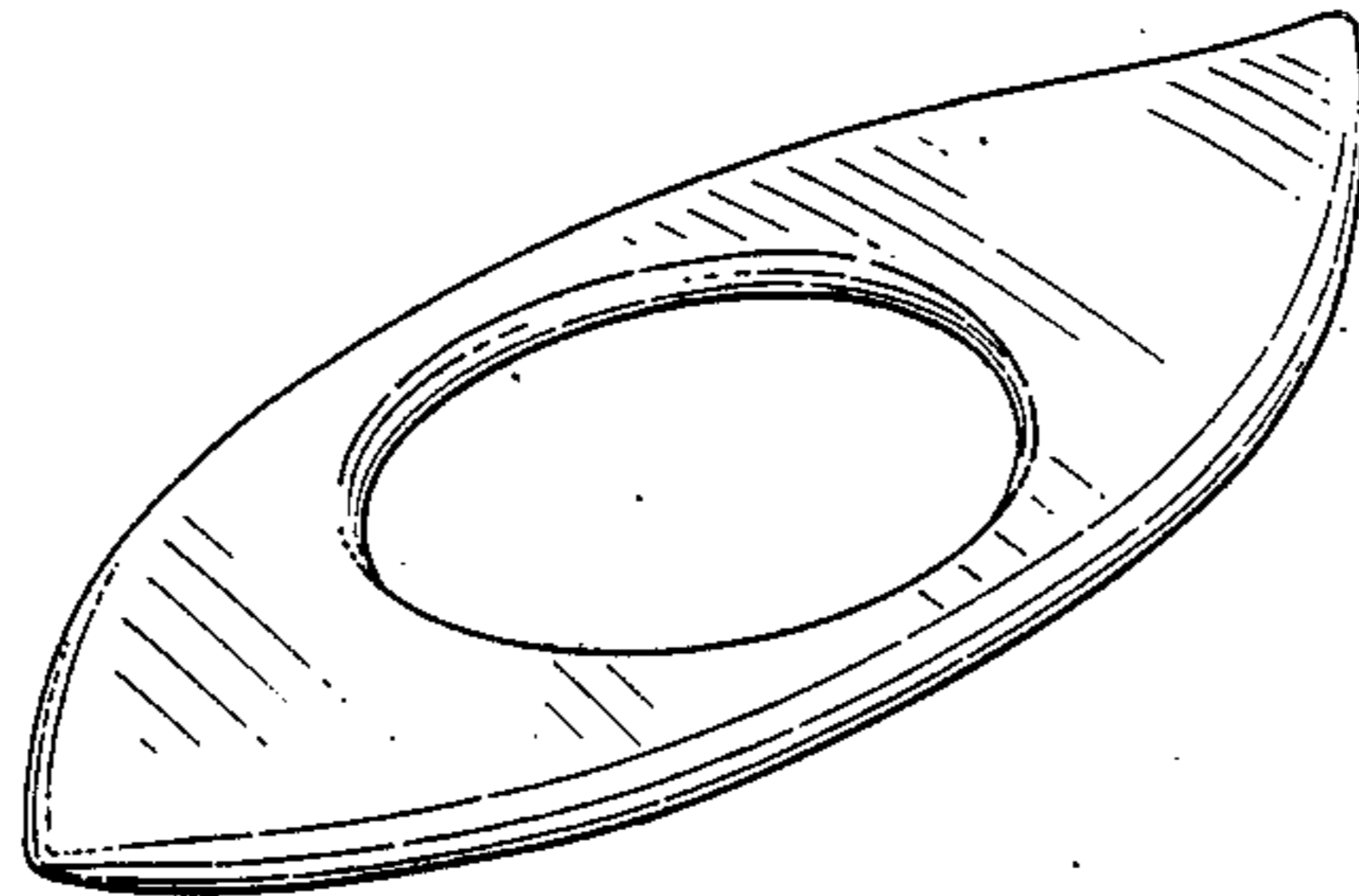
DESCRIPTION

FIG. 1 is a top plan view of a hat showing my new design;

FIG. 2 is a side elevational view thereof;

FIG. 3 is a top perspective view thereof; and

FIG. 4 is a bottom perspective view thereof.



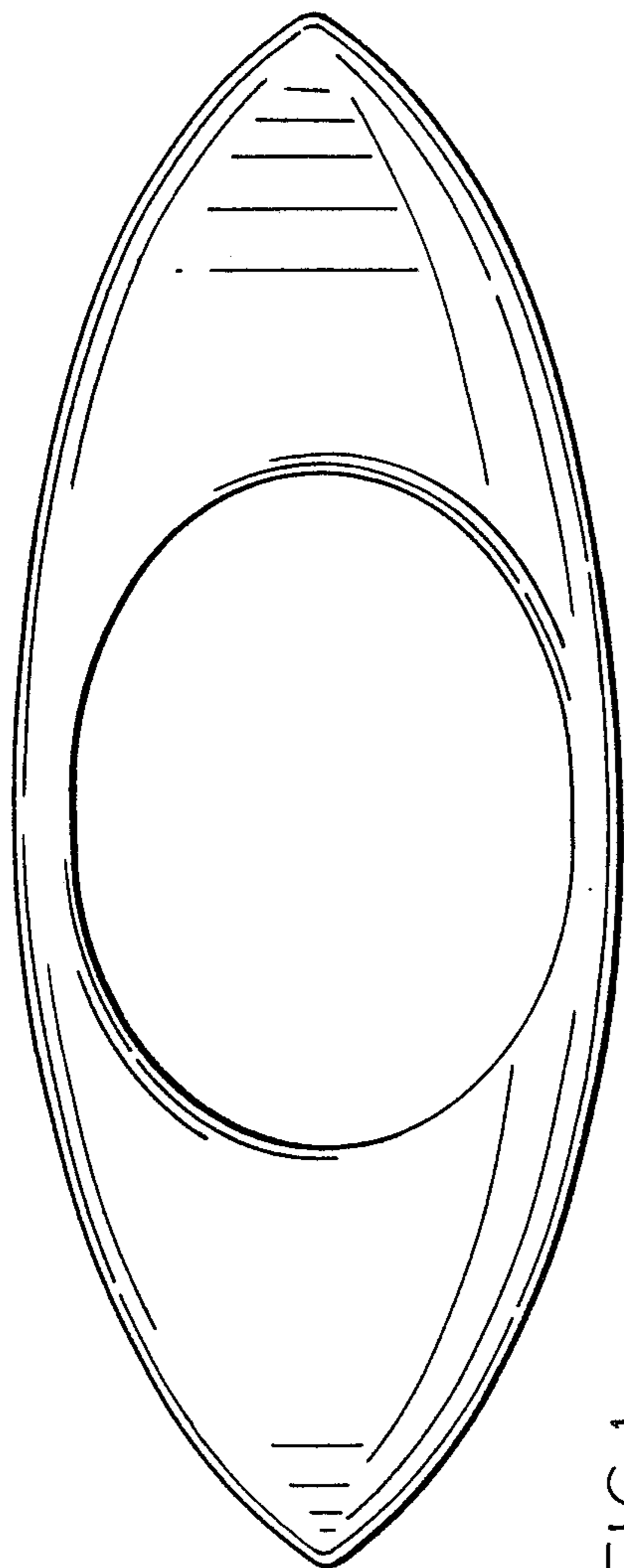


FIG. 1

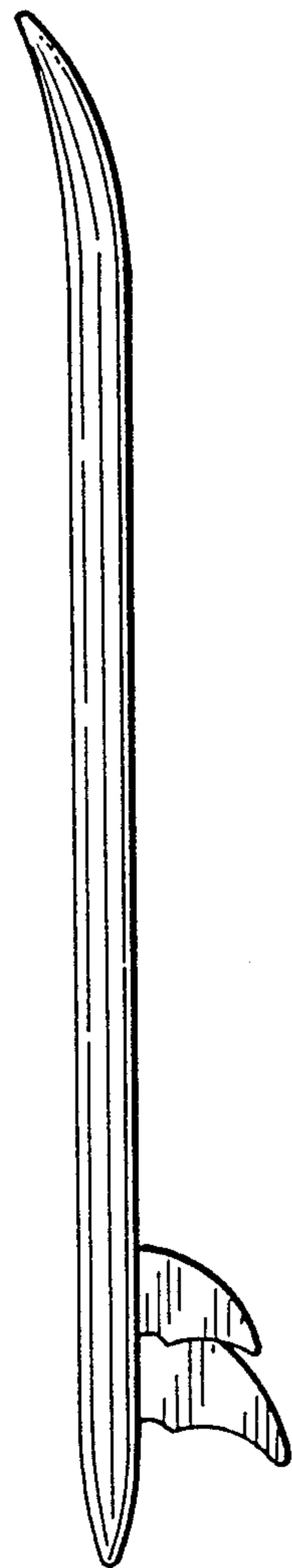


FIG. 2

FIG. 3

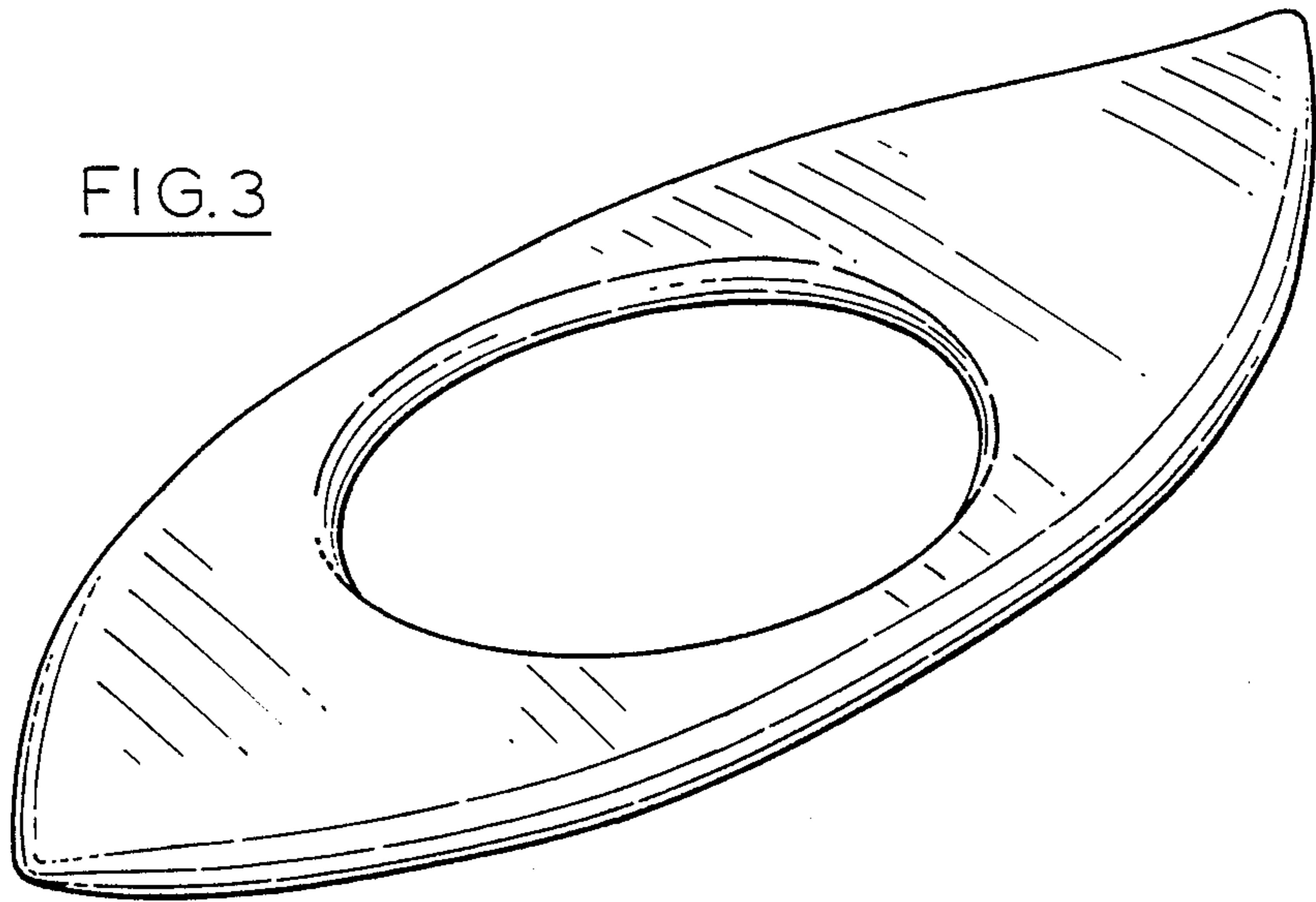


FIG. 4

