

United States Patent [19]

Scali et al.

[11] Patent Number: Des. 311,631

[45] Date of Patent: ** Oct. 30, 1990

[54] PASTA

[76] Inventors: Francois Scali; Alain Domingo, both of 17 rue Froment, 75011 Paris, France

[**] Term: 14 Years

[21] Appl. No.: 83,951

[22] Filed: Aug. 11, 1987

[30] Foreign Application Priority Data

Feb. 26, 1987 [FR] France 87 1096

[52] U.S. Cl. D1/126

[58] Field of Search D1/126, 127, 199; D8/324, 349, 71; D25/121, 119, 114, 123, 125, 118; D28/2, 3; 426/143, 549, 512, 94, 499, 138, 514, 283, 104, 391; D23/266, 259; D21/108, 104, 105, 107; 211/74, 49.1

[56] References Cited

U.S. PATENT DOCUMENTS

D. 161,423 1/1951 Claffin D21/108
 1,887,701 11/1932 Stevens D25/118 X

OTHER PUBLICATIONS

“Good Housekeeping” publication 2/1980, p. 3, Manicotti Element #8.

Primary Examiner—Wallace R. Burke
 Assistant Examiner—Pamela J. Schmidt
 Attorney, Agent, or Firm—Dowell & Dowell

[57] CLAIM

The ornamental design for pasta, as shown and described.

DESCRIPTION

FIG. 1 is a top perspective view of a pasta showing my new design;
 FIG. 2 is a bottom plan view thereof;
 FIG. 3 is a front elevational view thereof, the undisclosed rear being the same; and
 FIG. 4 is a side elevational view thereof, the undisclosed side being the same.

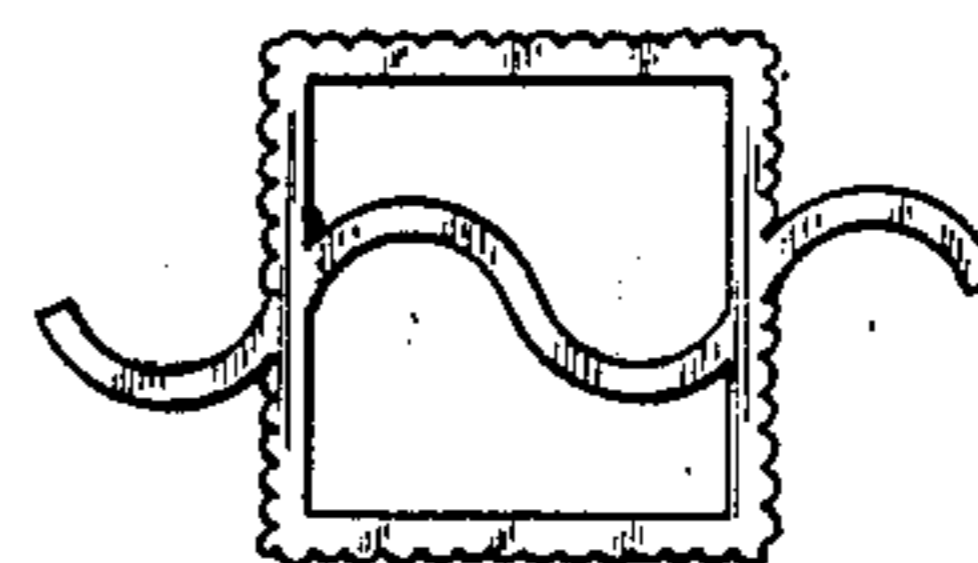
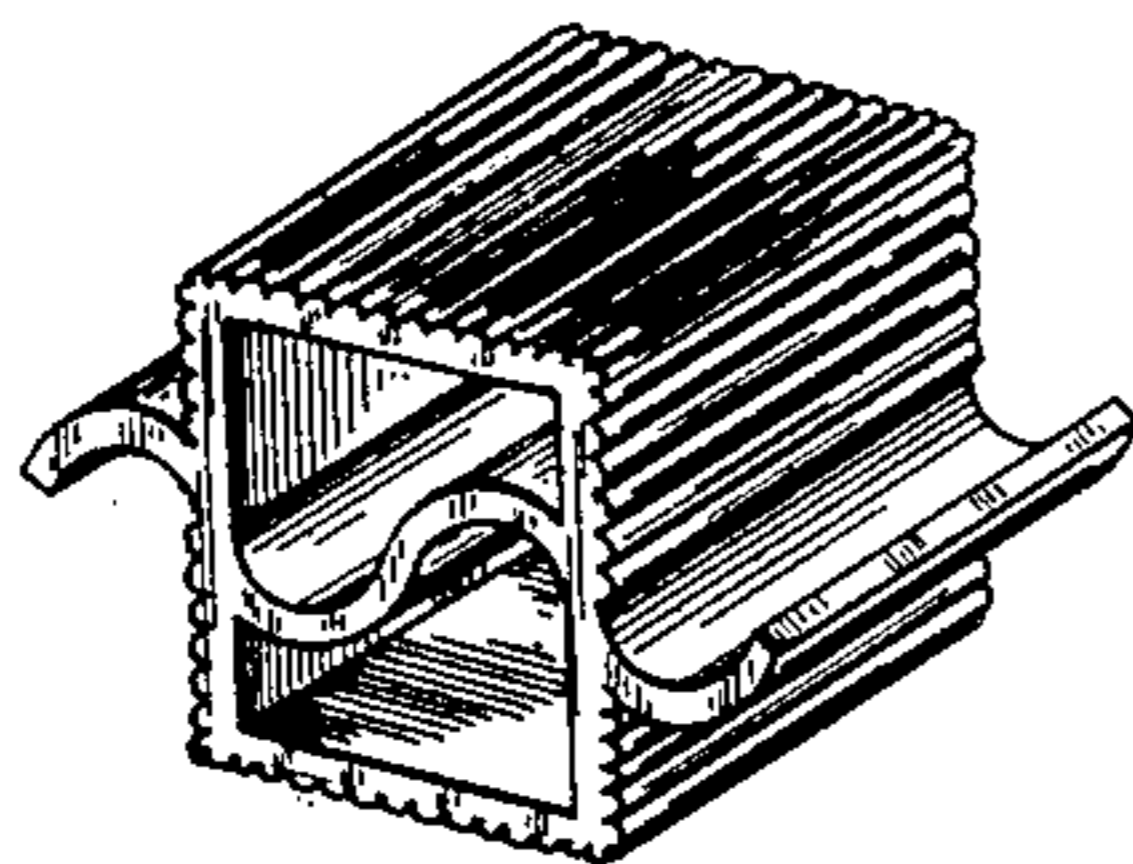


Fig. 1

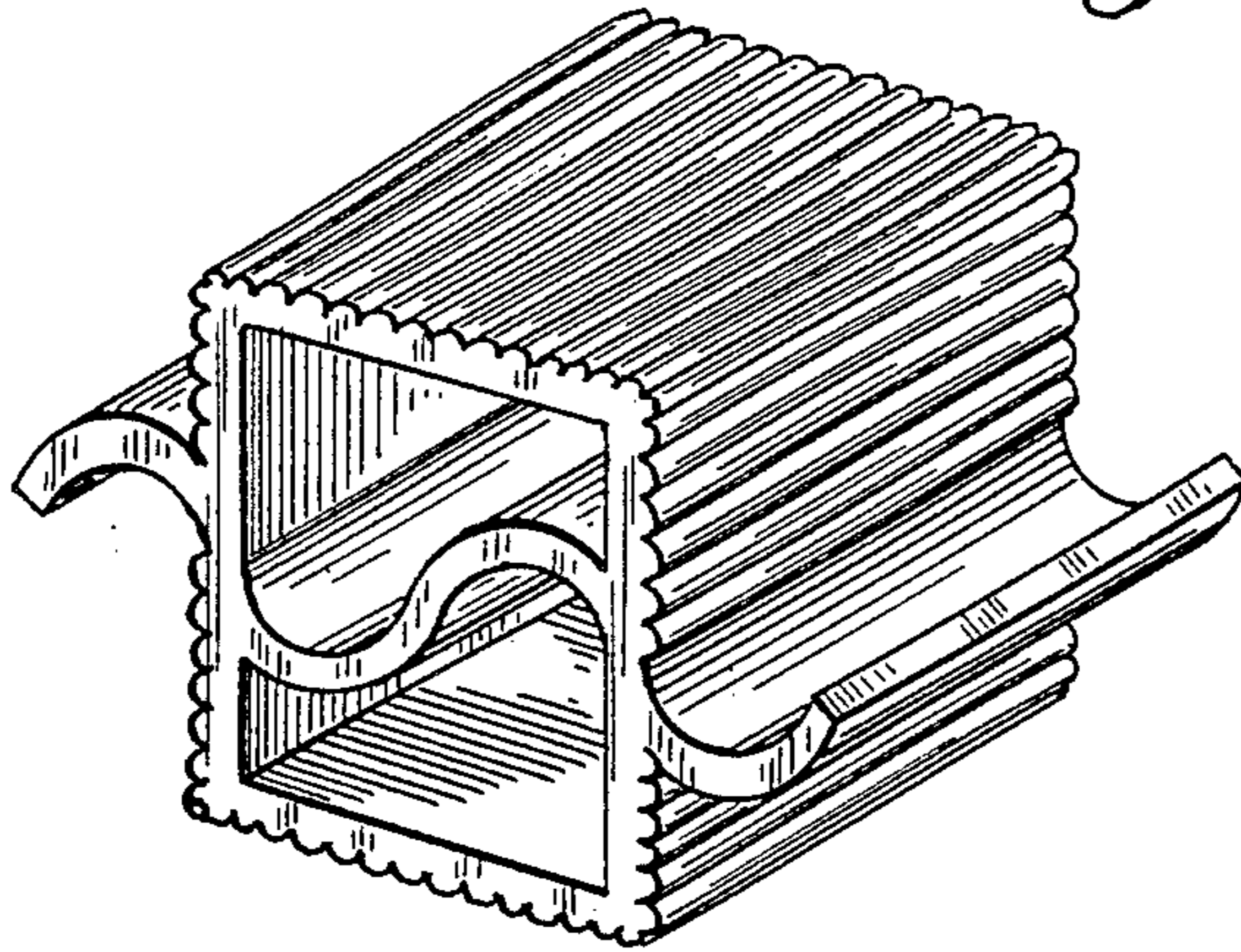


Fig. 2

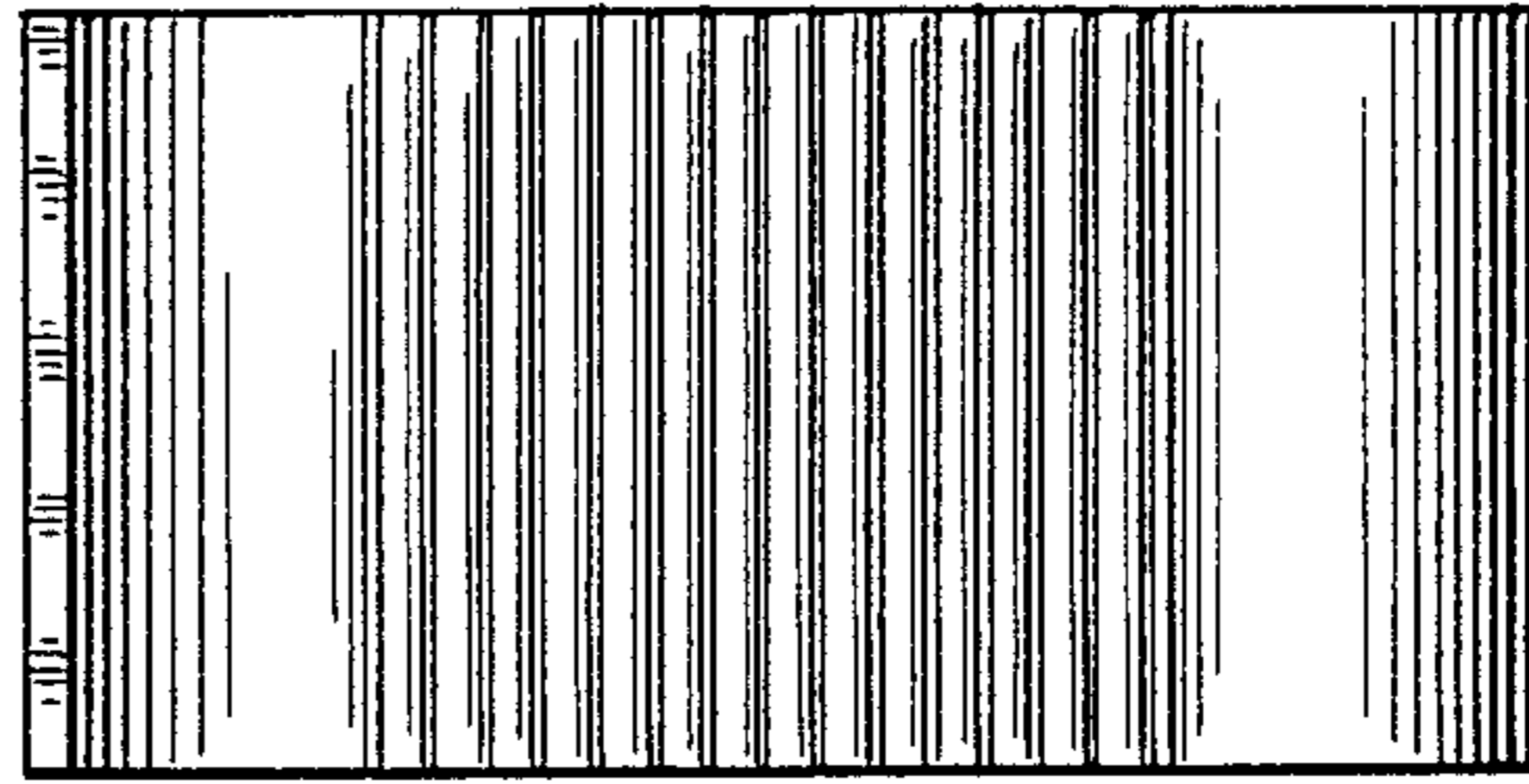


Fig. 3

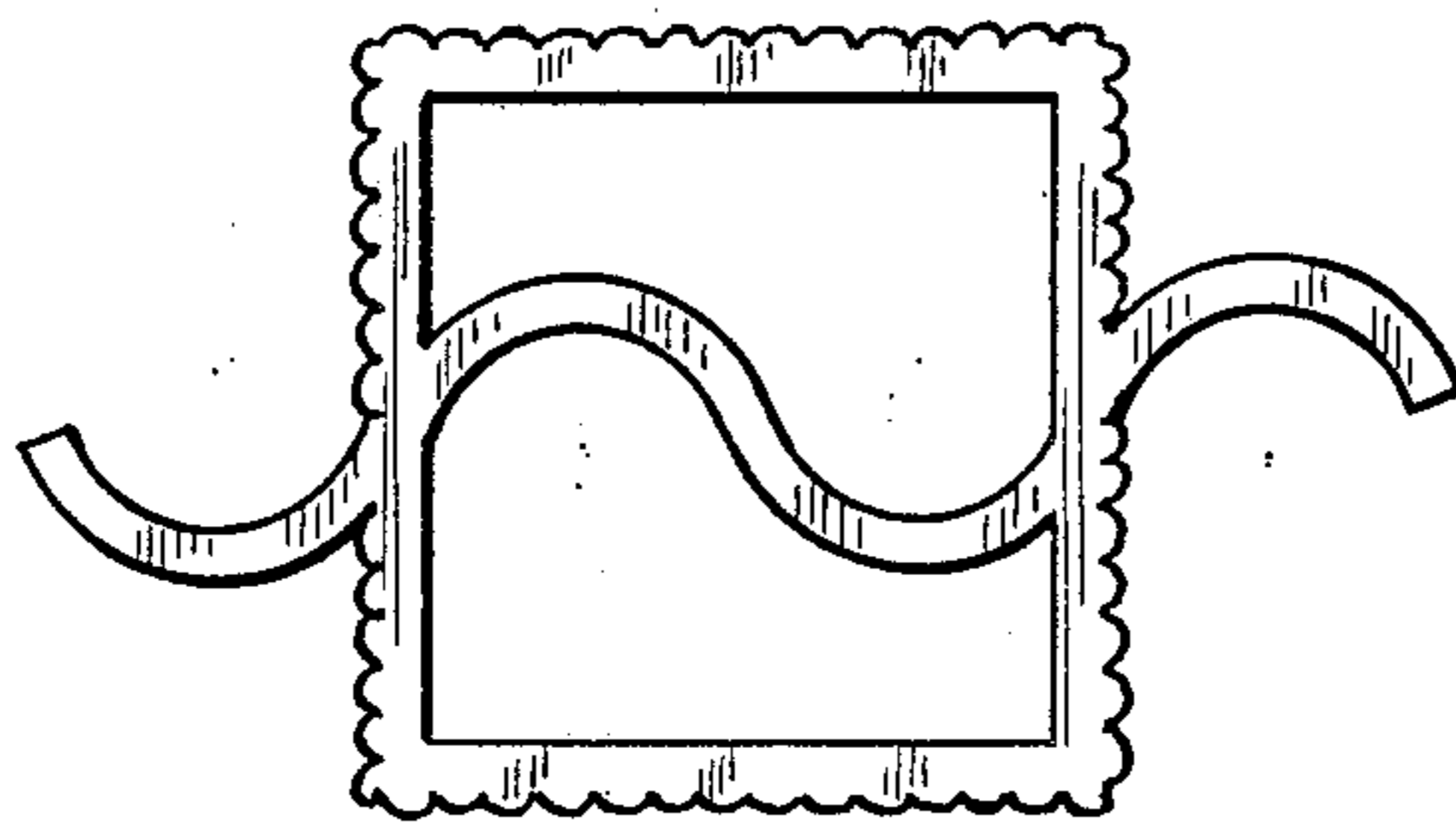


Fig. 4

