

[54] PASTA  
[76] Inventors: Francois Scali; Alain Domingo, both of 17 Froment, 75011 Paris, France

[\*\*] Term: 14 Years

[21] Appl. No.: 83,952

[22] Filed: Aug. 11, 1987

[30] Foreign Application Priority Data

Feb. 26, 1987 [FR] France ..... 87 1096

[52] U.S. Cl. .... D1/126

[58] Field of Search ..... D1/126, 127, 199; D8/324, 349, 71; D25/121, 119, 114, 123, 125, 118; D28/2, 3; 426/143, 549, 512, 94, 499, 138, 514, 283, 104, 391; D23/266, 259; D21/108, 104, 105, 107; 211/74, 49.1

[56] References Cited

U.S. PATENT DOCUMENTS

D. 168,054 10/1952 La Rosa ..... D1/126

2,686,720 8/1954 La Rosa ..... D1/126 X

OTHER PUBLICATIONS

Modern Plastics, 9/1959, p. 423, Round Corrugated Element #4.

Good Housekeeping, 2/1980, p. 3, Manicotti #8.

Primary Examiner—Wallace R. Burke

Assistant Examiner—Pamela J. Schmidt

Attorney, Agent, or Firm—Dowell & Dowell

[57] CLAIM

The ornamental design for pasta, as shown and described.

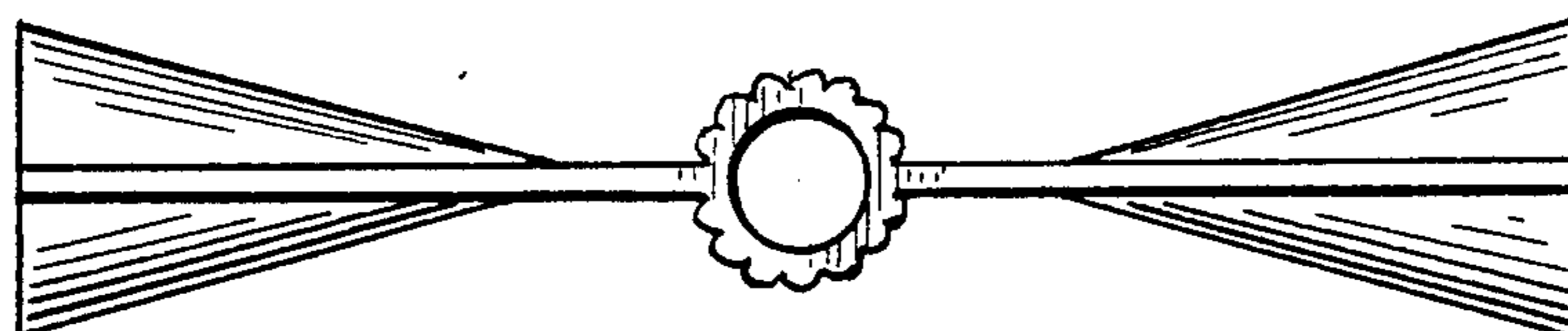
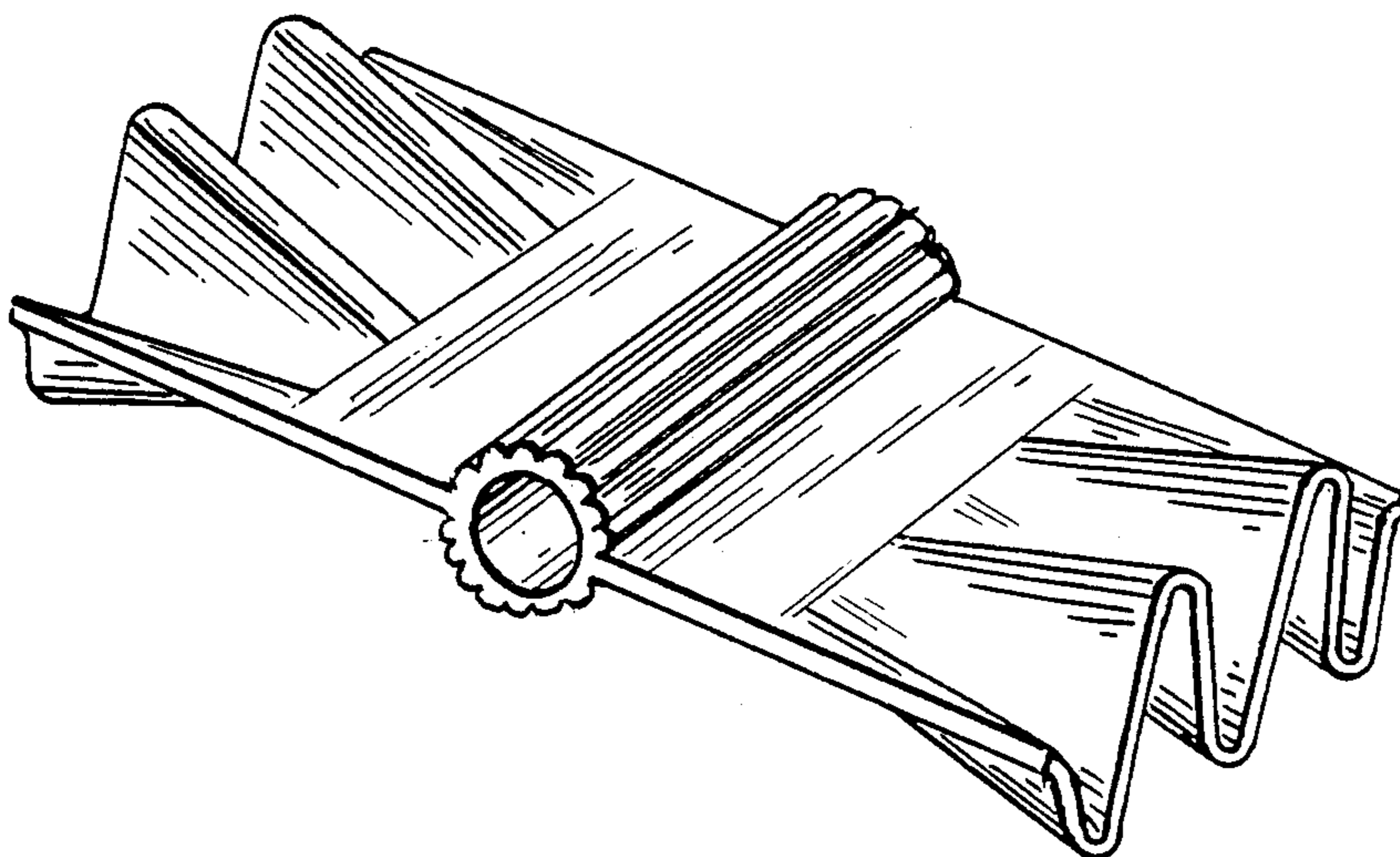
DESCRIPTION

FIG. 1 is a top perspective view of a pasta showing my new design;

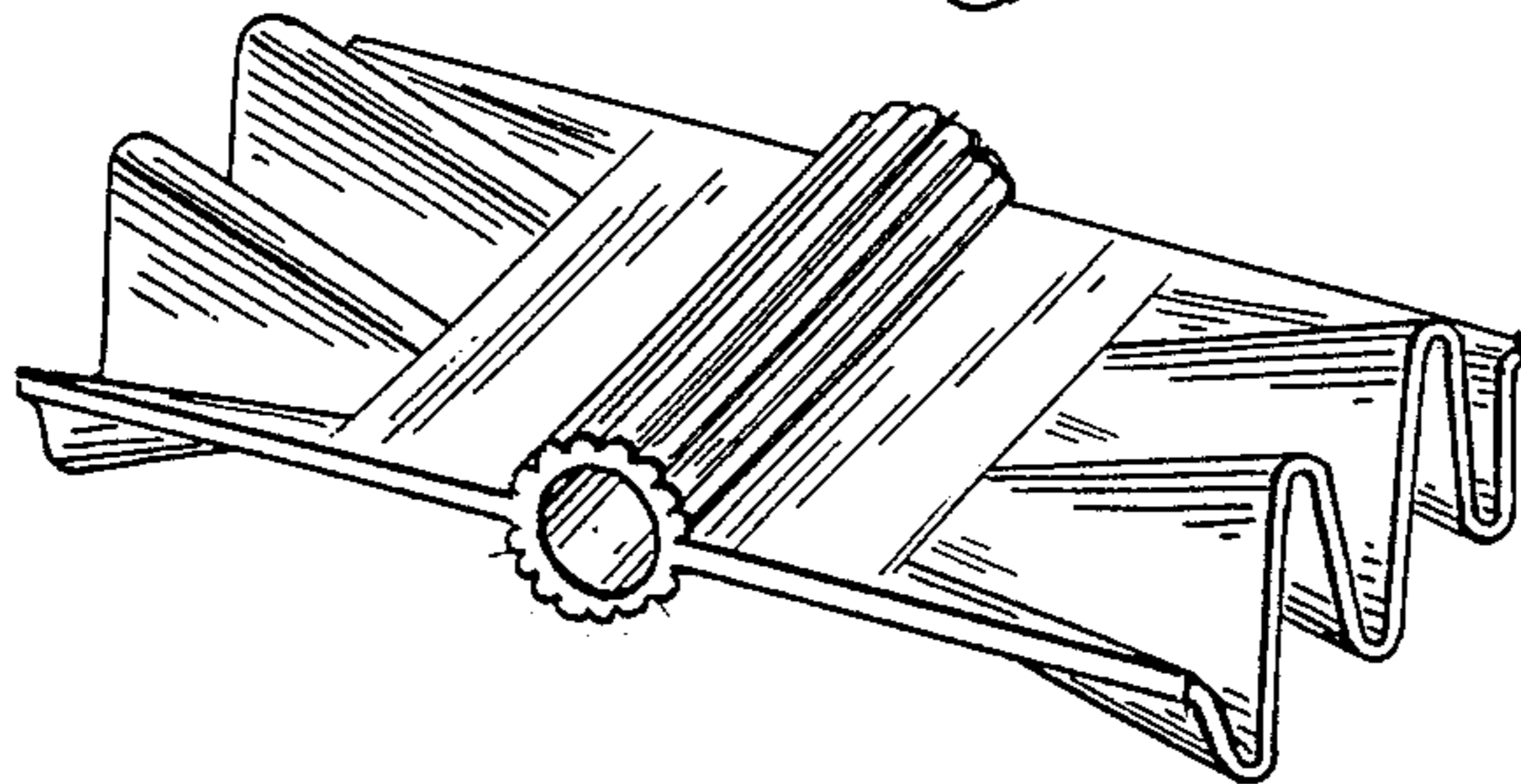
FIG. 2 is a bottom plan view thereof;

FIG. 3 is a front elevational view thereof; the undisclosed rear being the same; and

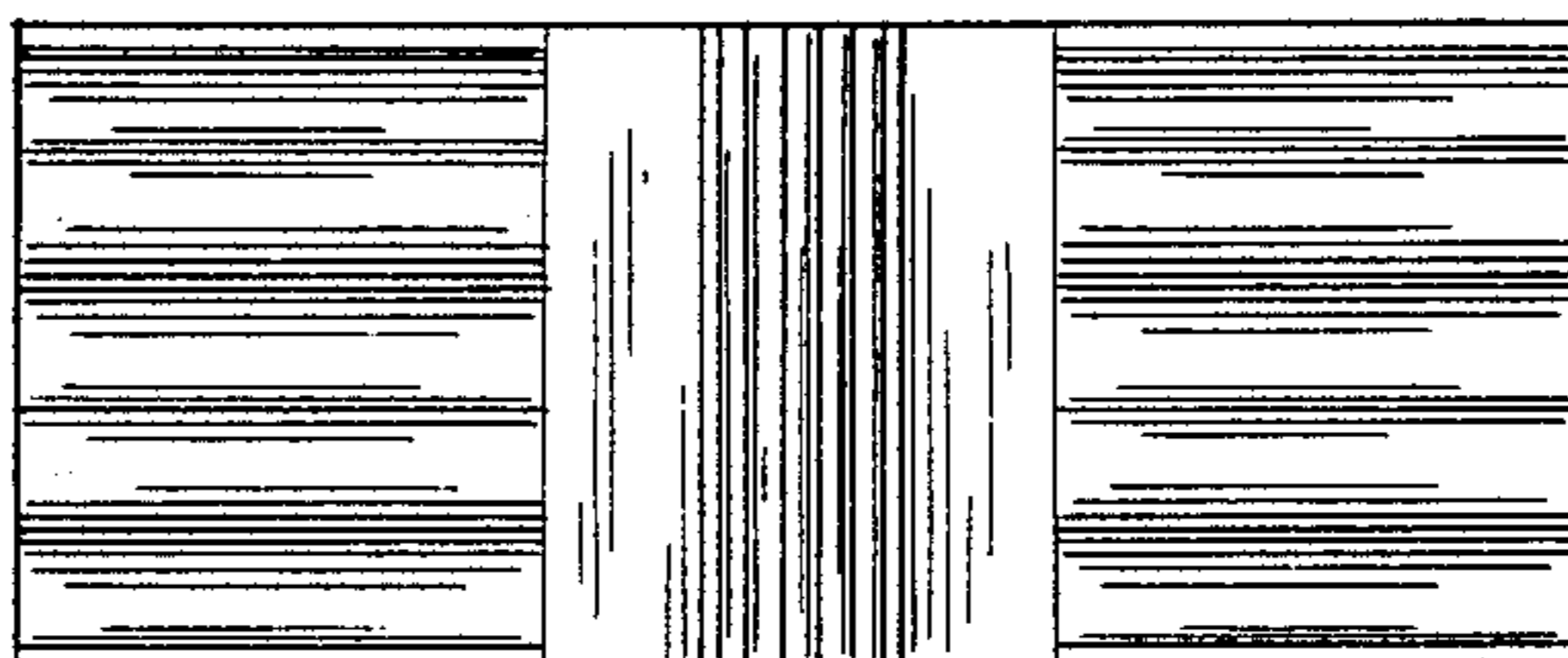
FIG. 4 is a side elevational view thereof; the undisclosed side being the same.



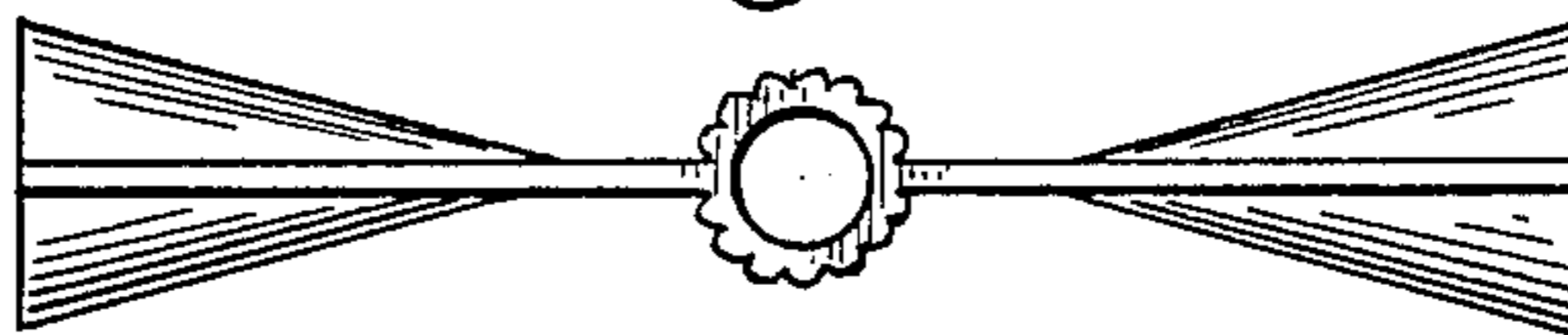
*Fig. 1*



*Fig. 2*



*Fig. 3*



*Fig. 4*

