

[54] PASTA

[76] Inventor: Philippe Starck, 4 Rue de Dion, Levallois Perret, France, 92300

[**] Term: 14 Years

[21] Appl. No.: 83,957

[22] Filed: Aug. 11, 1987

[30] Foreign Application Priority Data

Feb. 26, 1987 [FR] France 87 1096

[52] U.S. Cl. D1/126; D21/108

[58] Field of Search D1/126, 127, 199; D8/324, 349, 71; D25/121, 119, 114, 123, 125, 118; D28/2, 3; 426/143, 549, 512, 94, 499, 138, 514, 283, 108, 391; D23/266, 259; D21/108, 104, 105, 107; 211/74, 49.1

[56] References Cited

U.S. PATENT DOCUMENTS

2,685,517 8/1954 Dunmire D1/199 X

OTHER PUBLICATIONS

"Good Housekeeping" publication, Feb. 1980, p. 263, Element #5-Ziti.

Primary Examiner—Wallace R. Burke
Assistant Examiner—Pamela J. Schmidt
Attorney, Agent, or Firm—Dowell & Dowell

[57] CLAIM

The ornamental design for pasta, as shown and described.

DESCRIPTION

FIG. 1 is a top perspective view of a pasta showing my new design;

FIG. 2 is a top plan view thereof, the undisclosed bottom being the same;

FIG. 3 is a front elevational view thereof, the undisclosed rear being the same;

FIG. 4 is a side elevational view thereof, the undisclosed side being the same; and

FIG. 5 is a left side elevational view thereof.

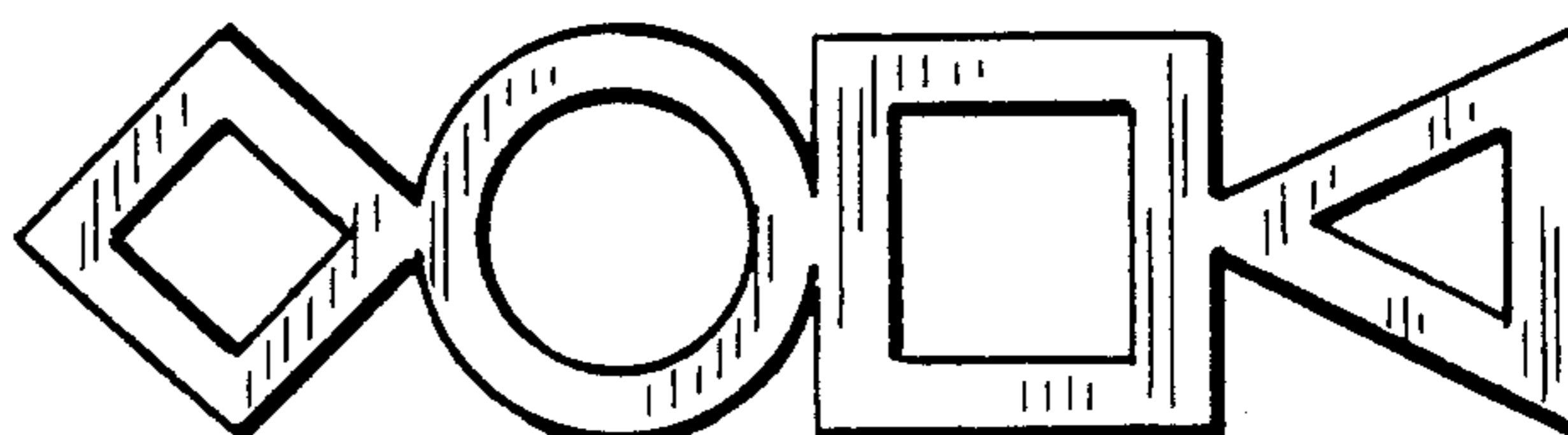
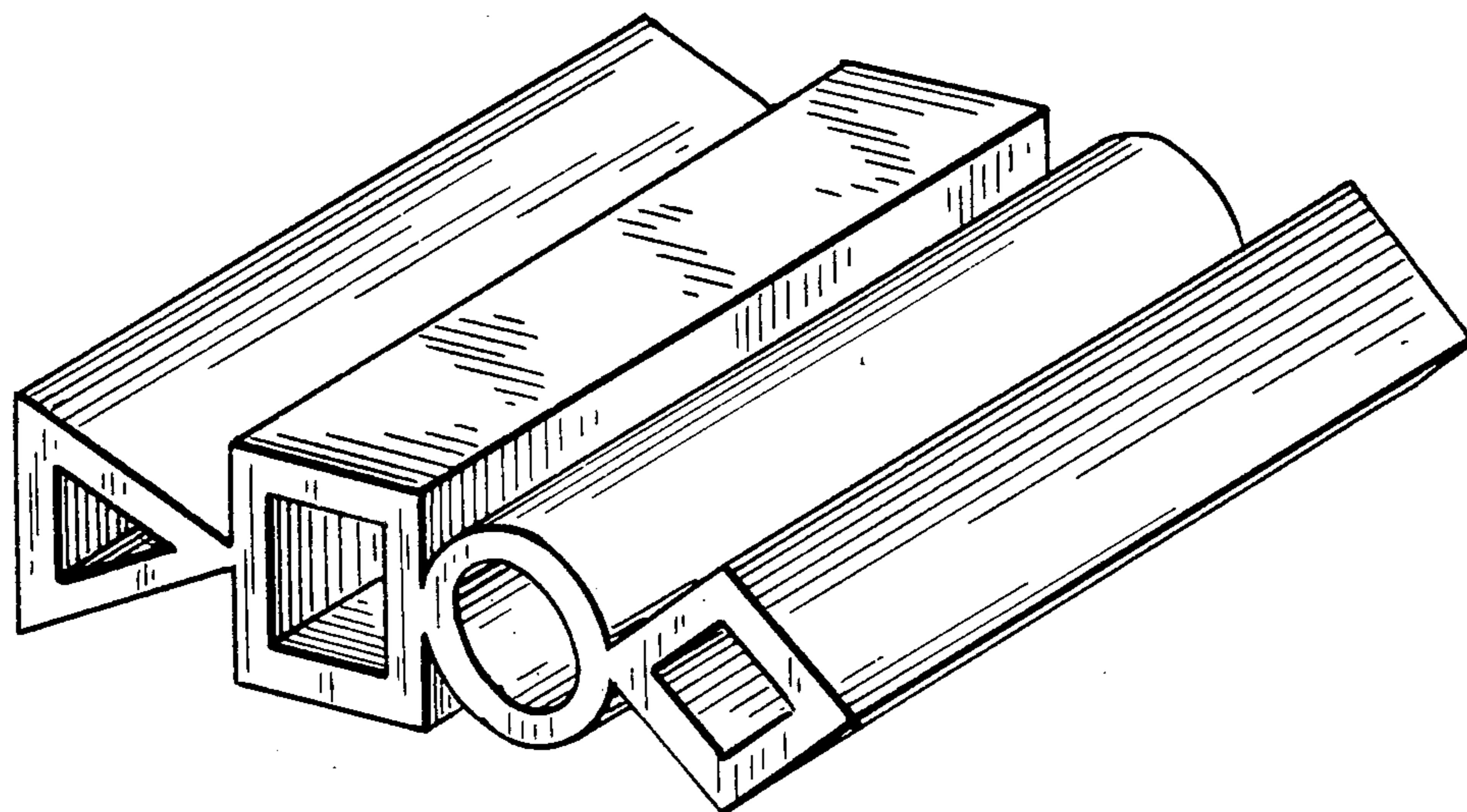


Fig. 1

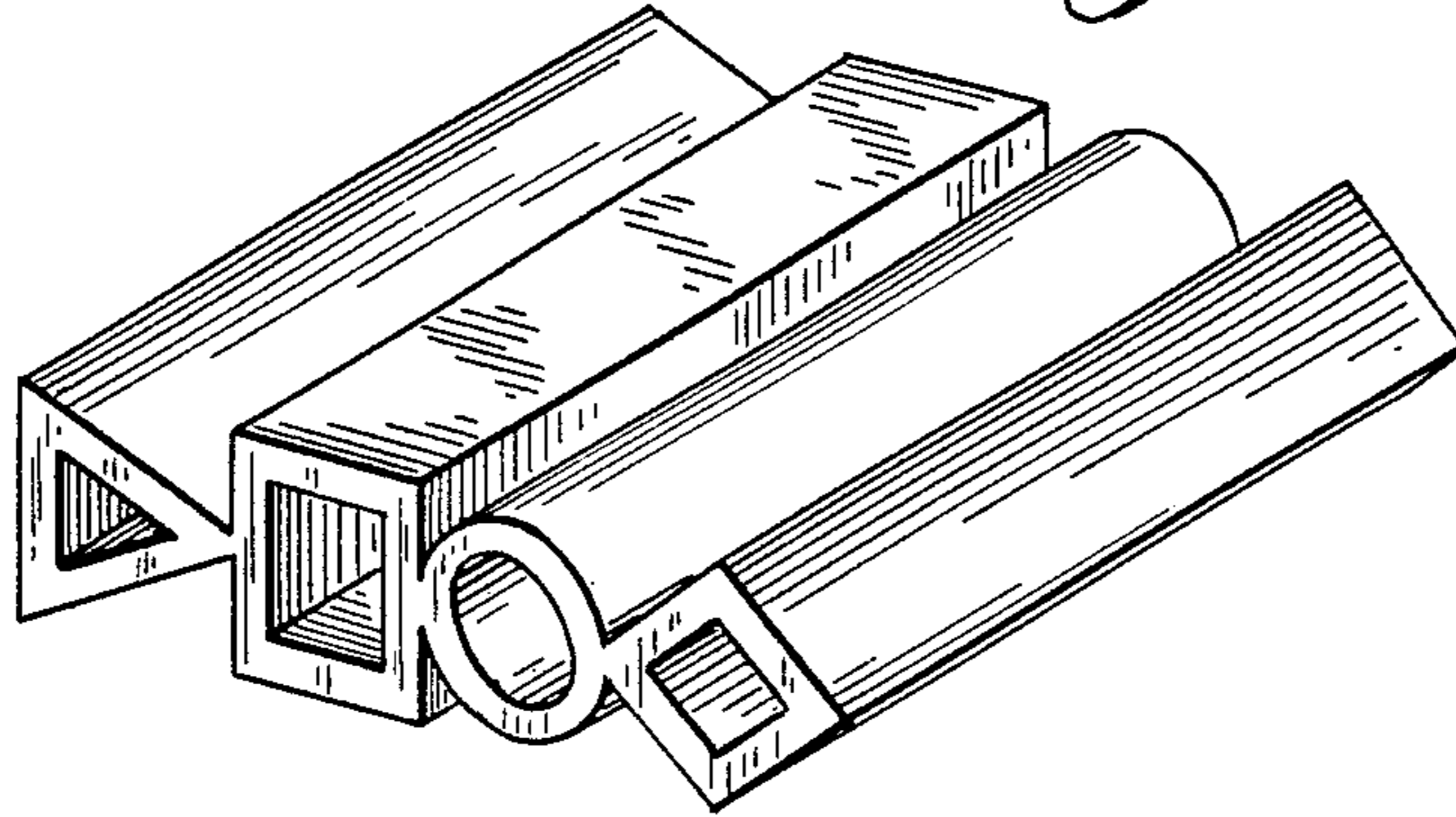


Fig. 2

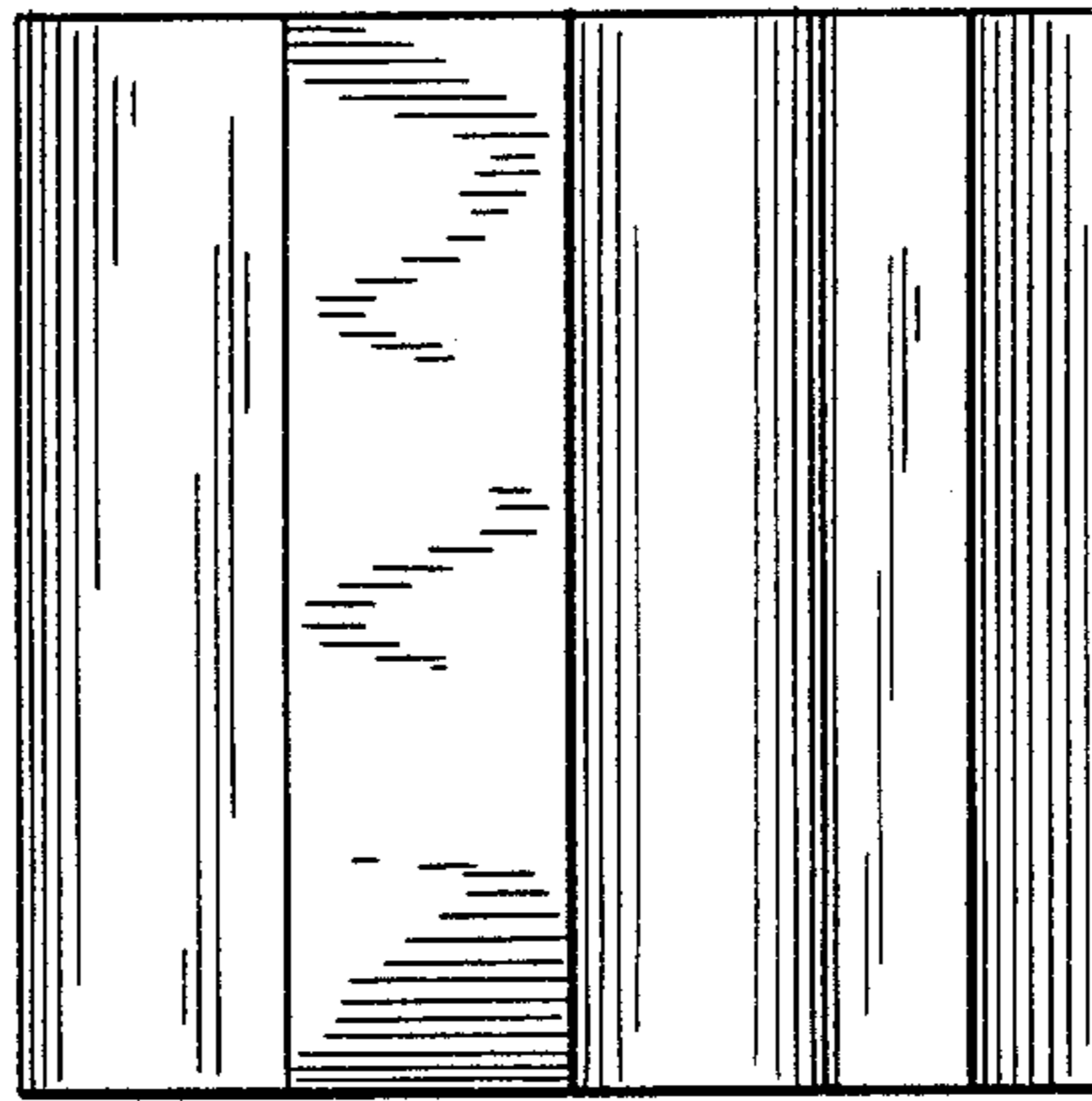


Fig. 4

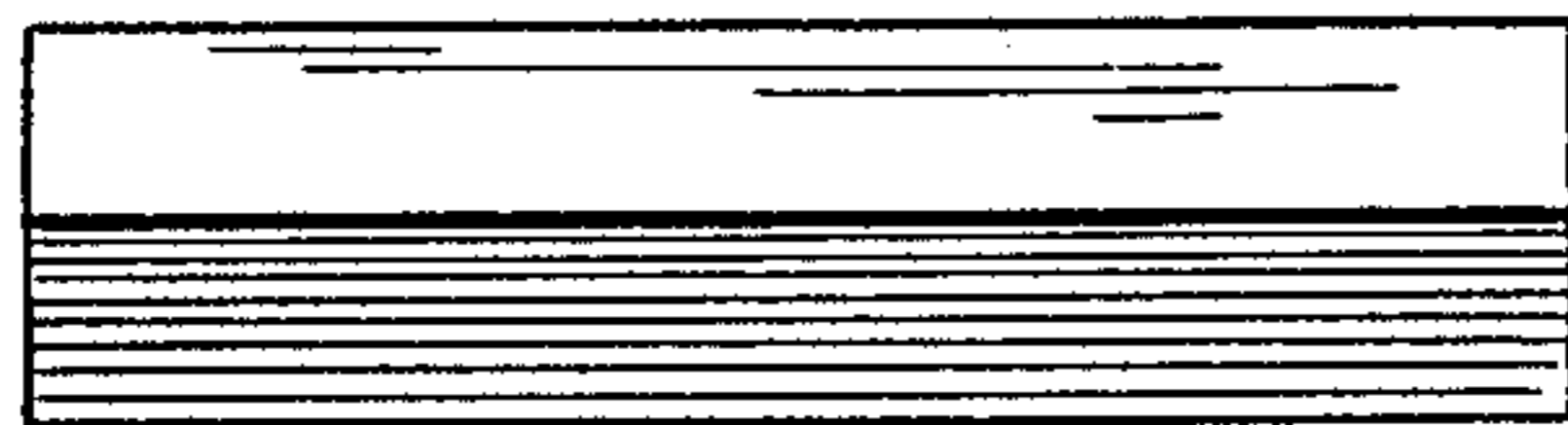


Fig. 3

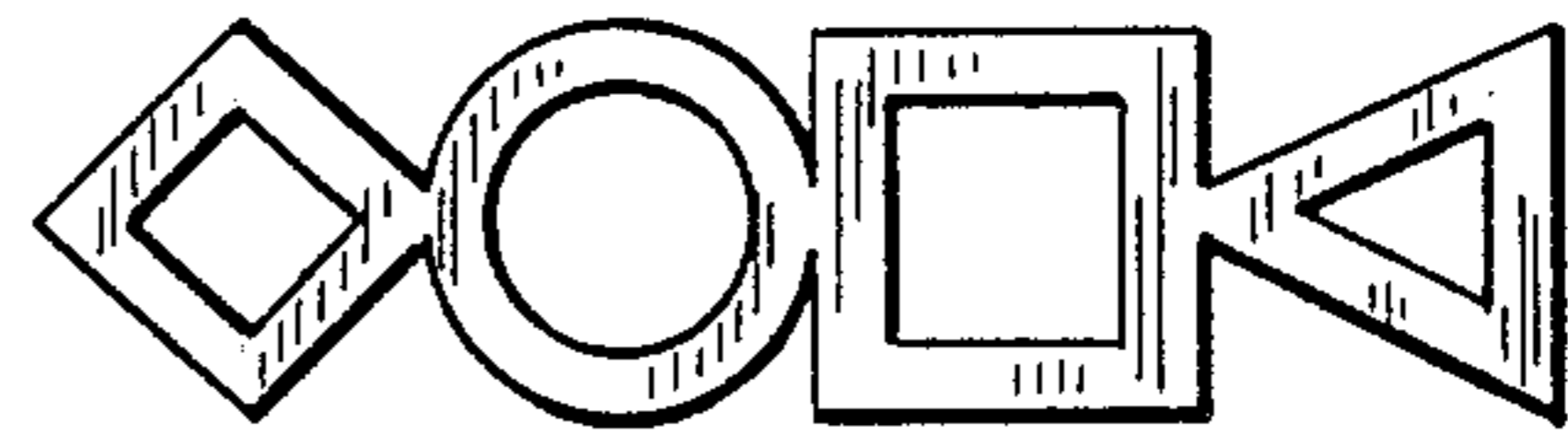


Fig. 5

