

[54] **CONTAINER**

[75] **Inventors: David C. O'Leary, Beaver, Pa.;
Theodore W. Perna, Jr., Leesburg,
Va.**

[73] **Assignee: Tuscarora Plastics, Inc., New
Brighton, Pa.**

[**] **Term: 14 Years**

[21] **Appl. No.: 184,167**

[22] **Filed: Apr. 21, 1988**

[52] **U.S. Cl. D34/40**

[58] **Field of Search D9/341-346,
D9/424; D34/40-47; 220/DIG. 12, 74, 23.6,
83, 71, 72, 73; 206/515, 519, 518, 507, 503, 499**

[56]

References Cited

U.S. PATENT DOCUMENTS

D. 201,257	6/1965	Vidal	D34/45
D. 228,263	8/1973	Jones	D9/424 X
D. 289,938	5/1987	Warwick	D34/45
3,052,373	9/1962	Frater	206/507
3,058,643	10/1962	Wilson	D9/346 X
3,438,544	4/1969	Cloyd	220/74 X
4,139,098	2/1979	Mollon	220/23.6 X
4,618,069	10/1986	Quong	220/23.6 X

Primary Examiner—Bernard Ansher

Assistant Examiner—Prabhakar Deshmukh

Attorney, Agent, or Firm—Reed Smith Shaw & McClay

[57]

CLAIM

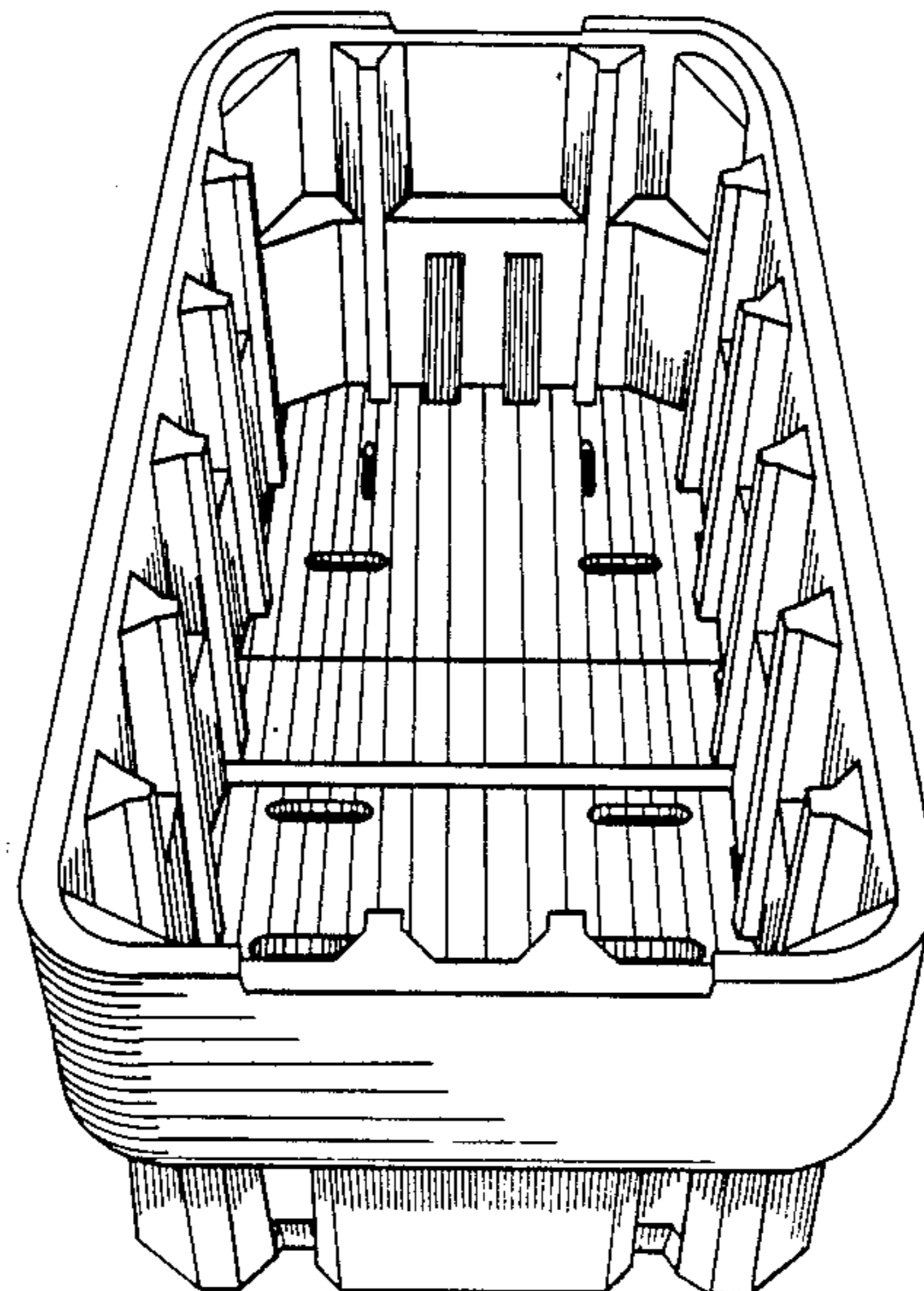
The ornamental design for a container, as shown and described.

DESCRIPTION

FIG. 1 is a top perspective view of a container showing my new design;

FIG. 2 is a side perspective view thereof; and

FIG. 3 is a bottom side perspective view thereof.



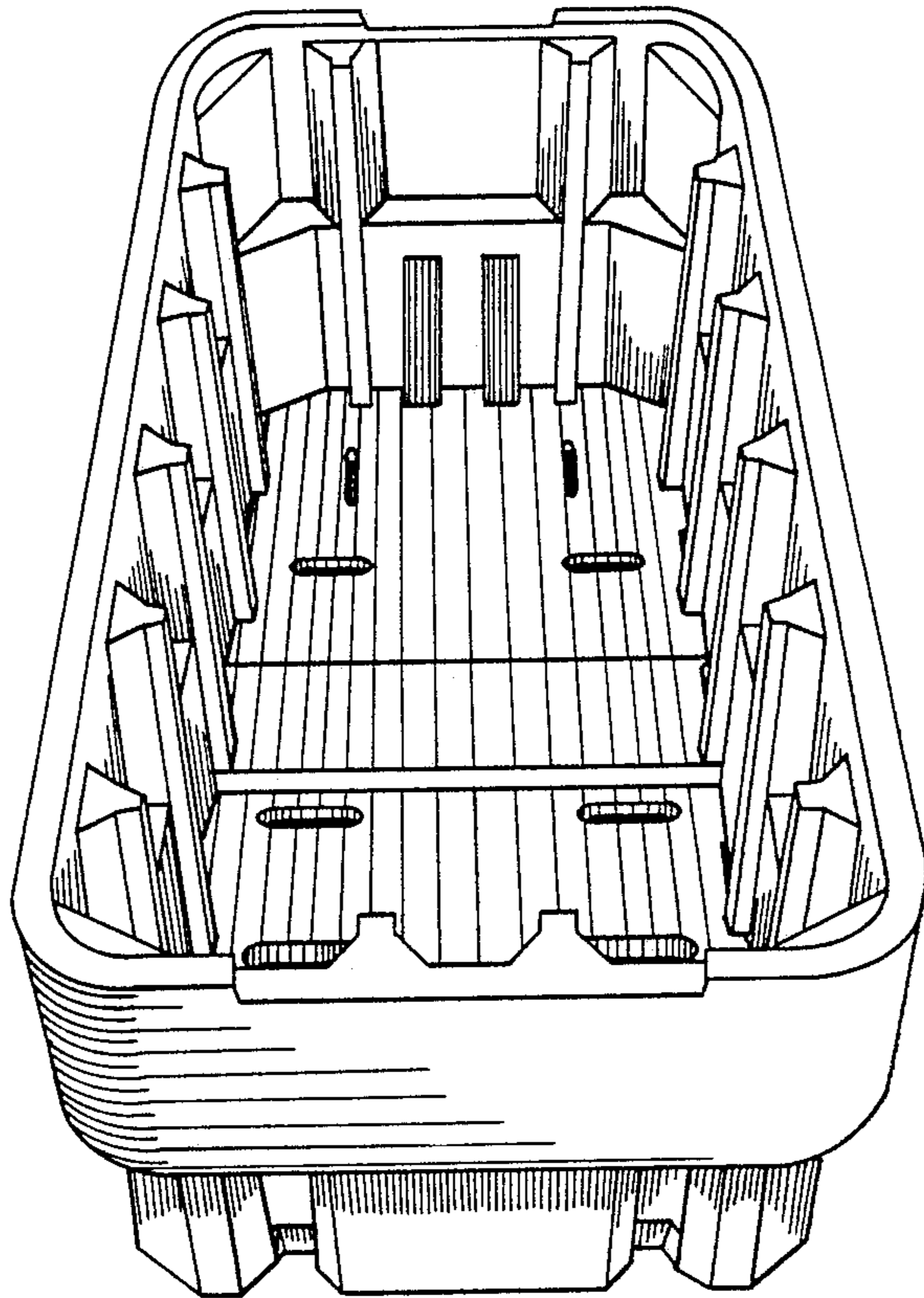


FIG. 1

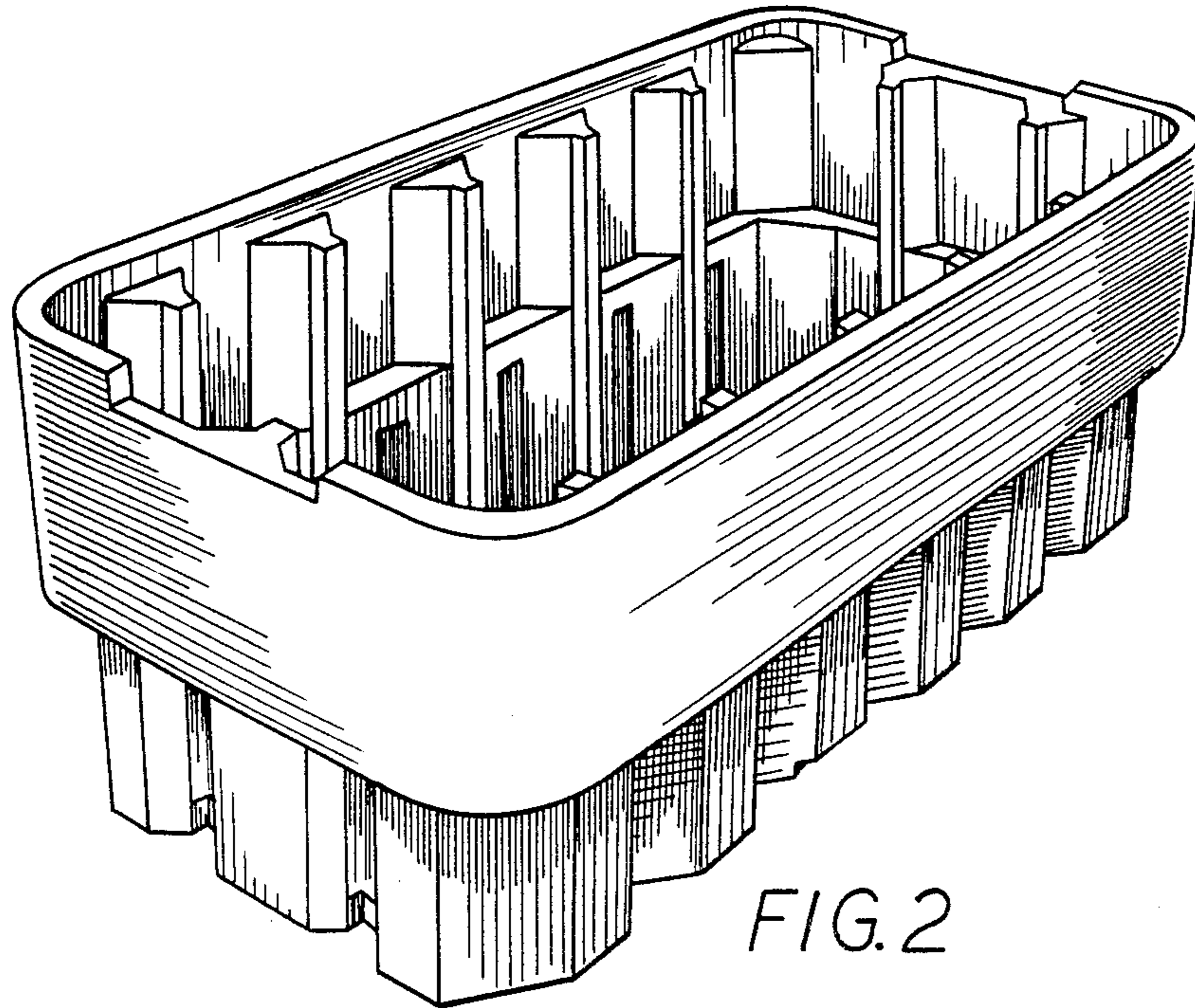


FIG. 2

